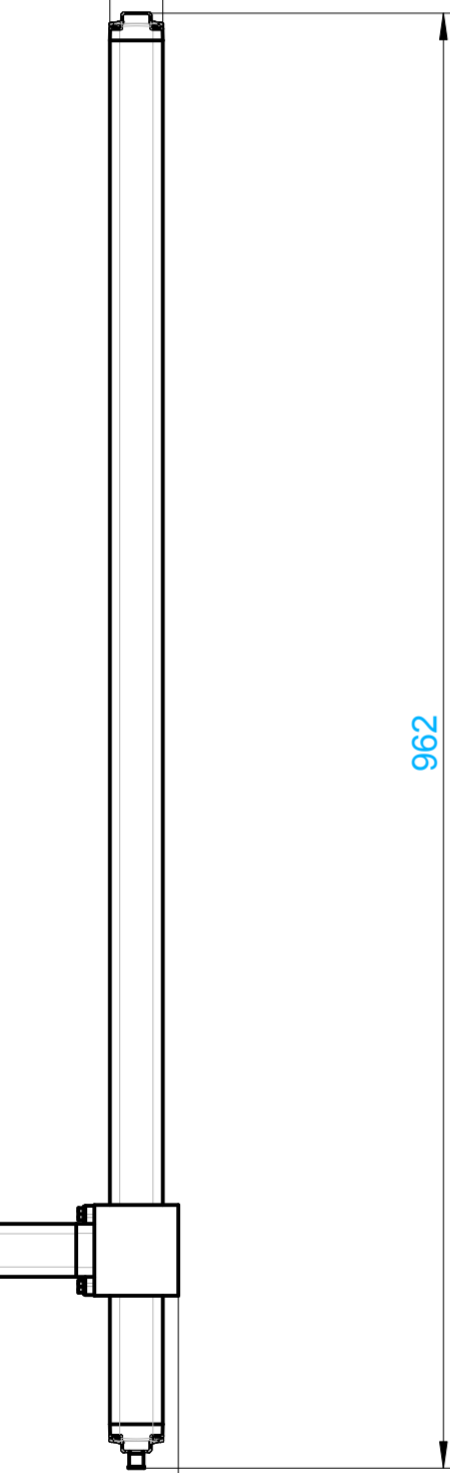




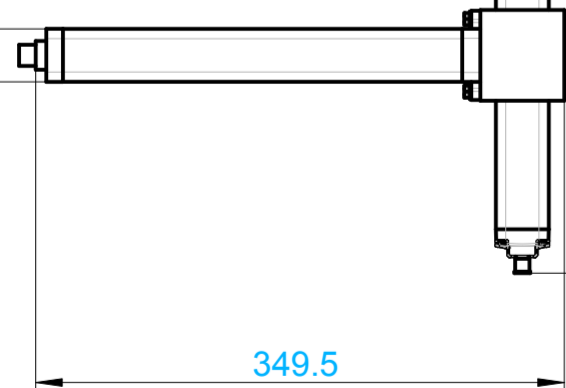
55.5

35



962

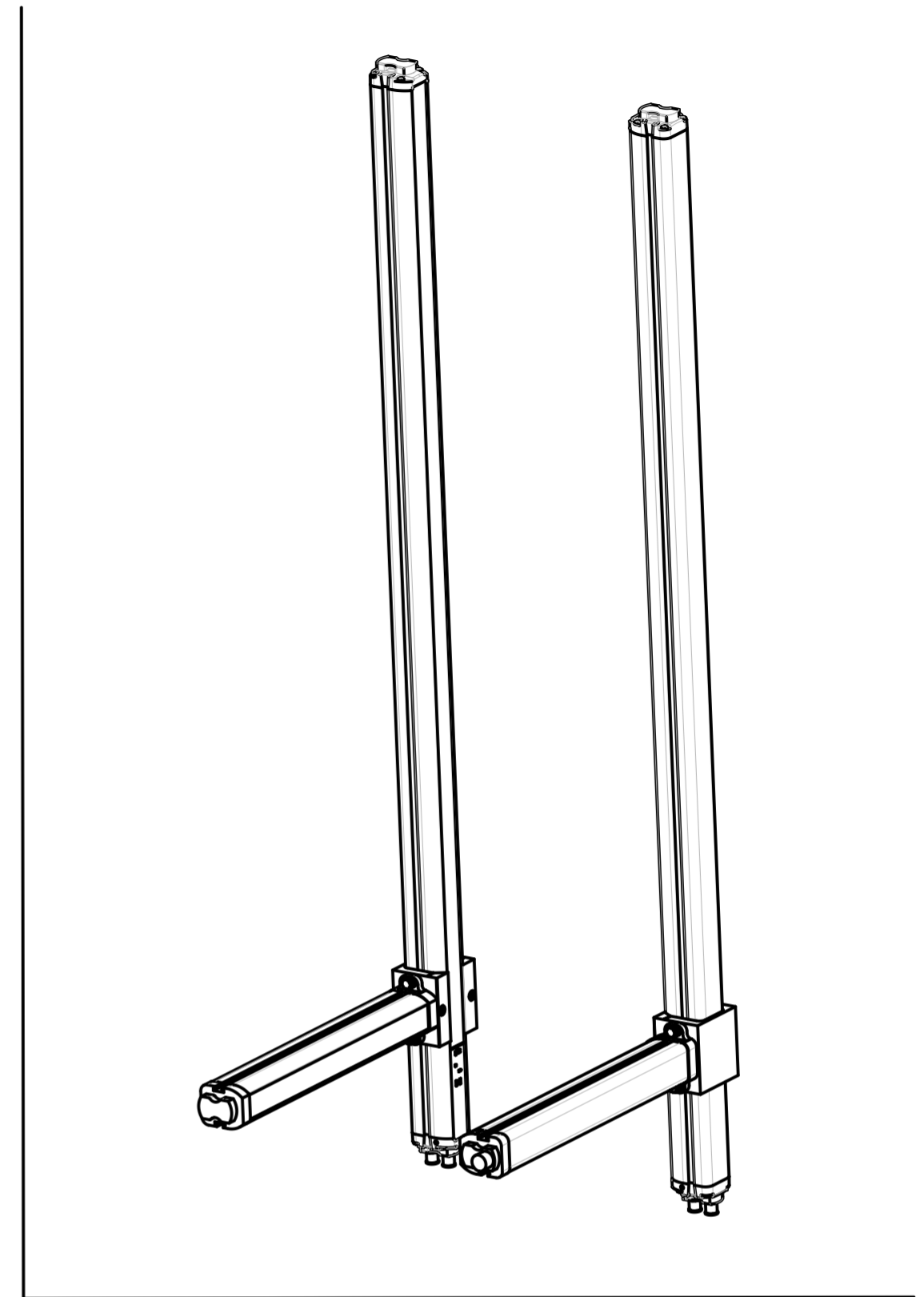
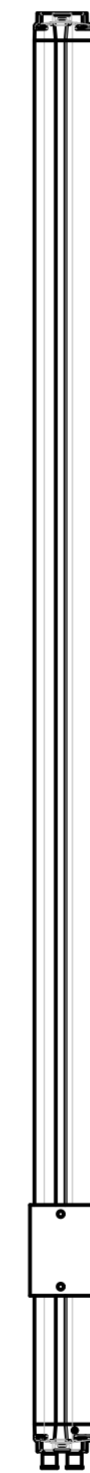
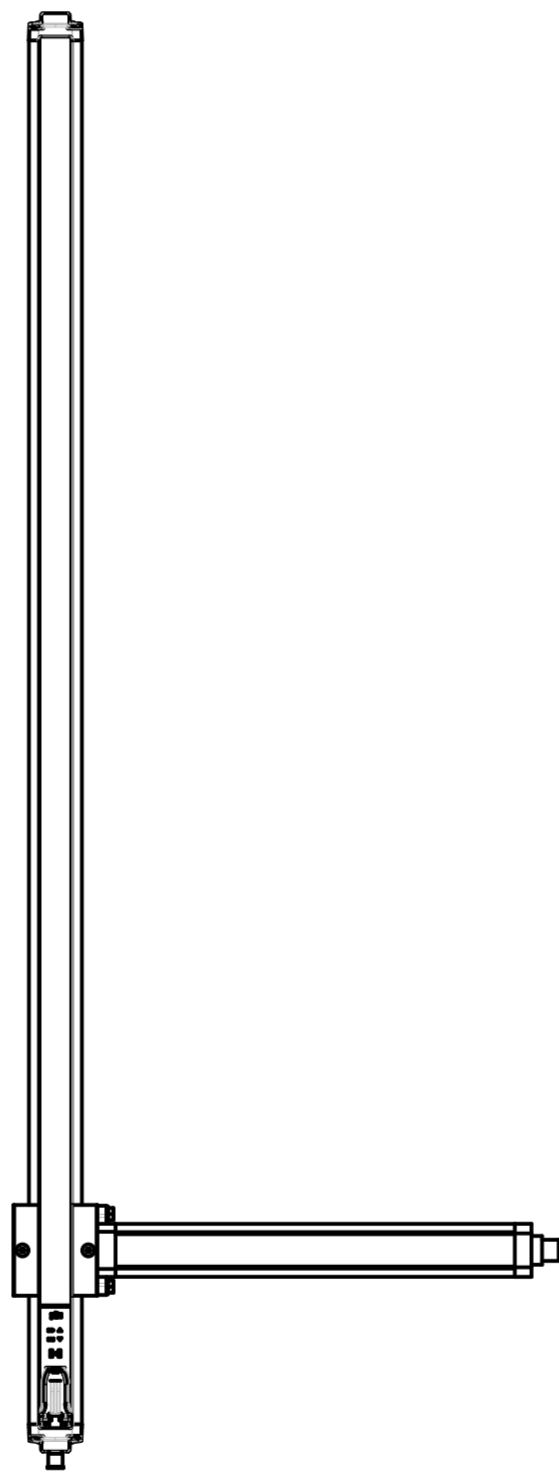
(35)



349.5



44.1



Nur Empfängerseite dargestellt /
only Receiver visible

-	20140095	13.05.2014	EP-SUP-MDEP-SUP-MD	neue Zeichnung new drawing
Index	ECO no.	Date	Editor	Checked
Scale	1:5		Date	Name
Material		Created	13.05.2014	EP-SUP-MD
		Checked	-	EP-SUP-MD
		Norm	-	-
Surface		All dimensions are in mm		Doc-No.
		Unspecified tolerance		2015909
				Page
				1
				Mat-No.
				-
				of
				1



Observe protection note to DIN 34