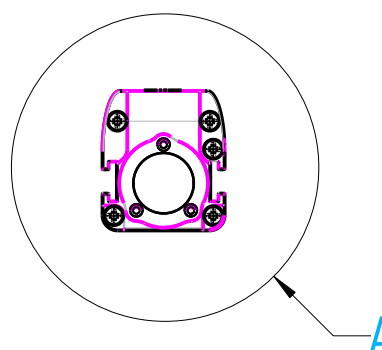
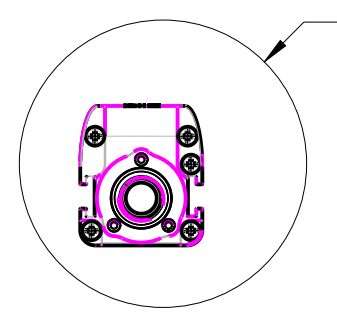
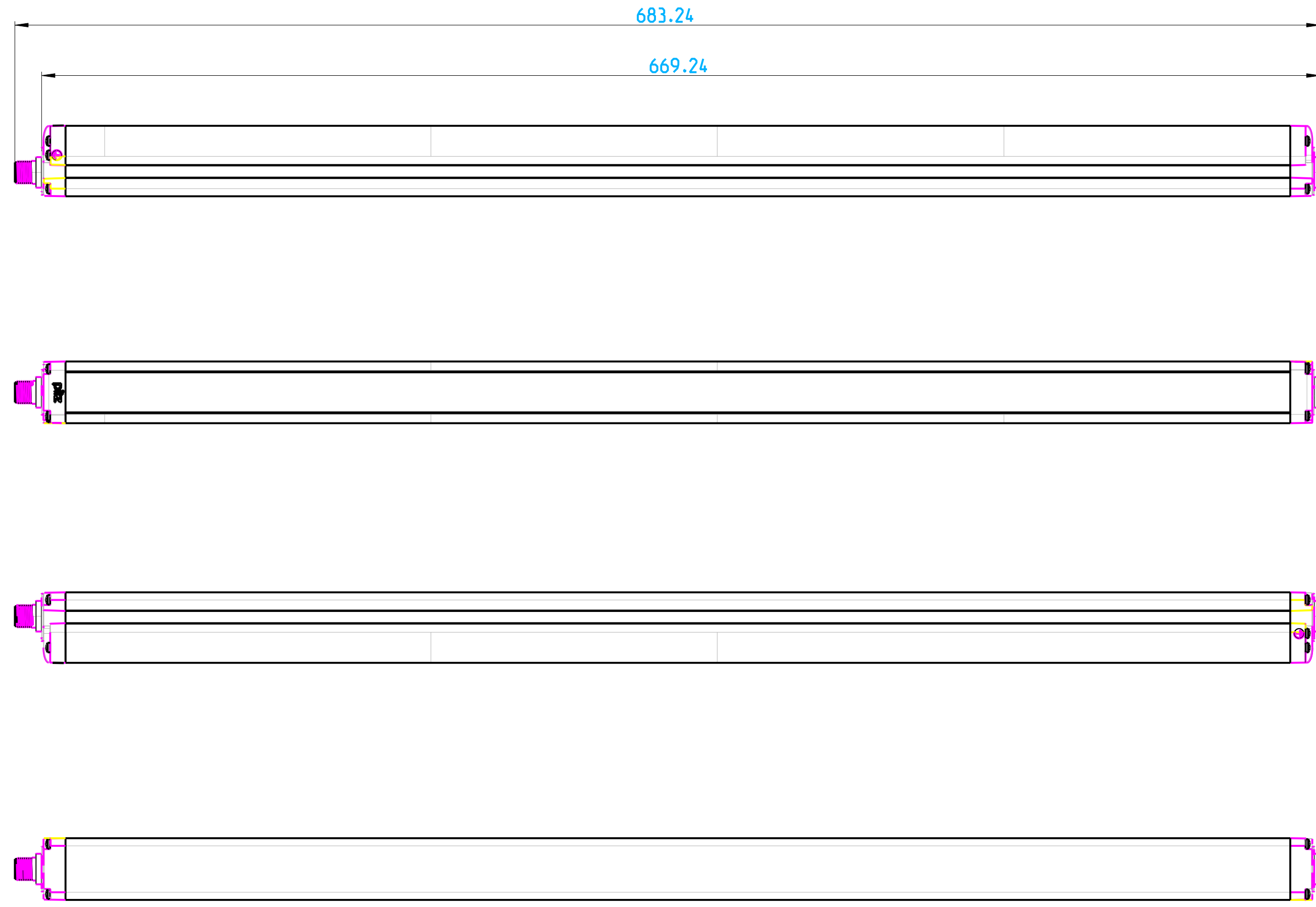


1 2 3 4 5 6 7 8

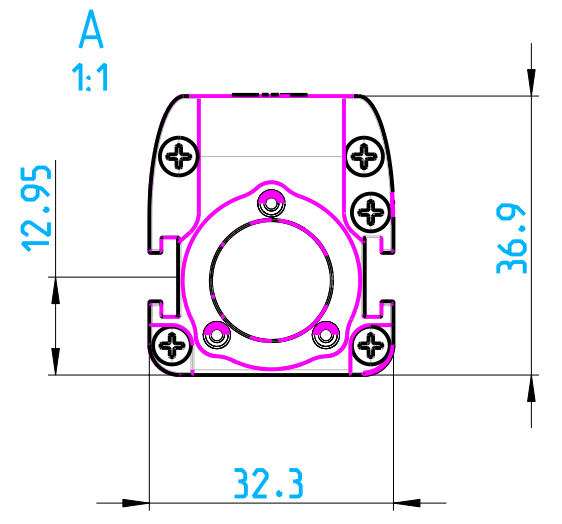
A B C D E F



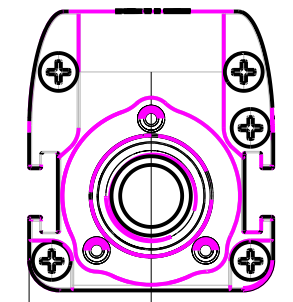
A



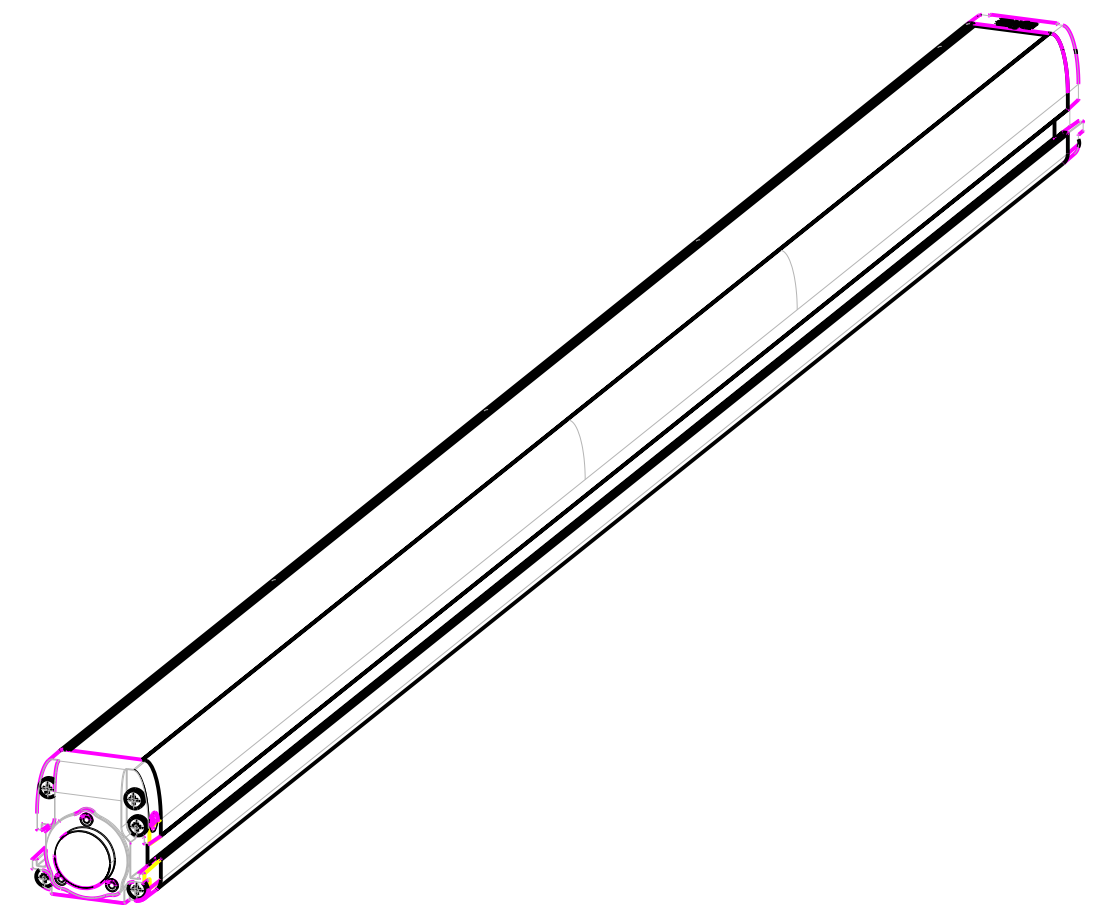
B



A  
1:1



B  
1:1



Observe protection note to DIN 34

-	20110065	10.3.2011	EP-MK	EP-MK	neue Zeichnung	
Index	ECO no.	Date	Editor	Checked	new drawing	
Scale	1:2			Date	Name	MODEL: 2008574 DRW: 2008575
Material			Created	10.3.2011	EP-MK	Internet Dokument Internet document PSEN op 060/1
			Checked	10.3.2011	EP-MK	
			Norm	-	-	
Surface			All dimensions are in mm			Doc.-No. 2008575
			Unspecified Tolerance			Page 1
					Mat.-No. -	of 1

