

1 2 3 4 5 6 7 8

A

B

C

D

E

F

A

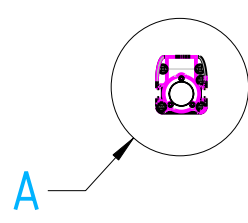
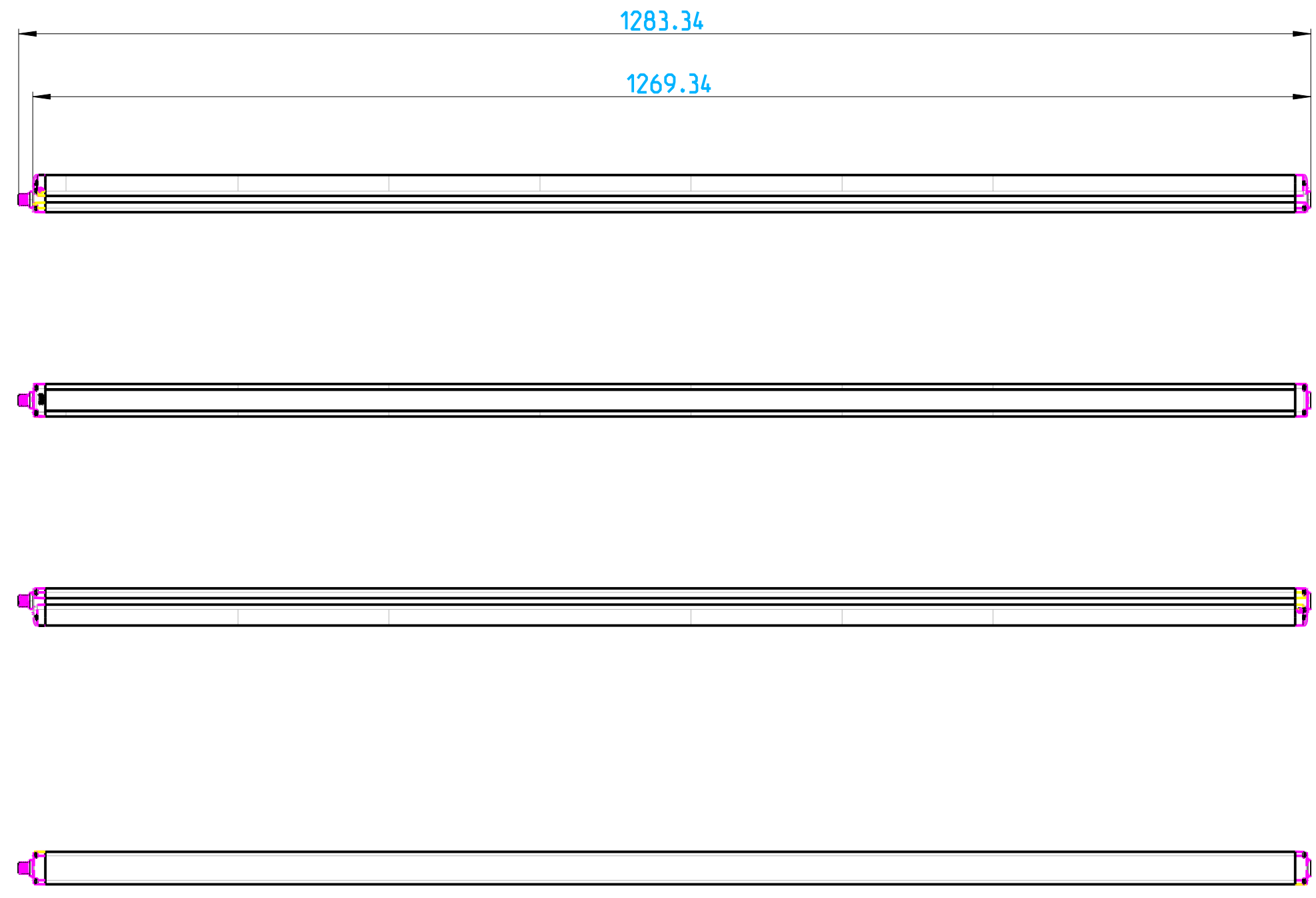
B

C

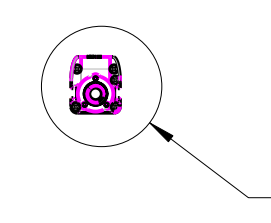
D

E

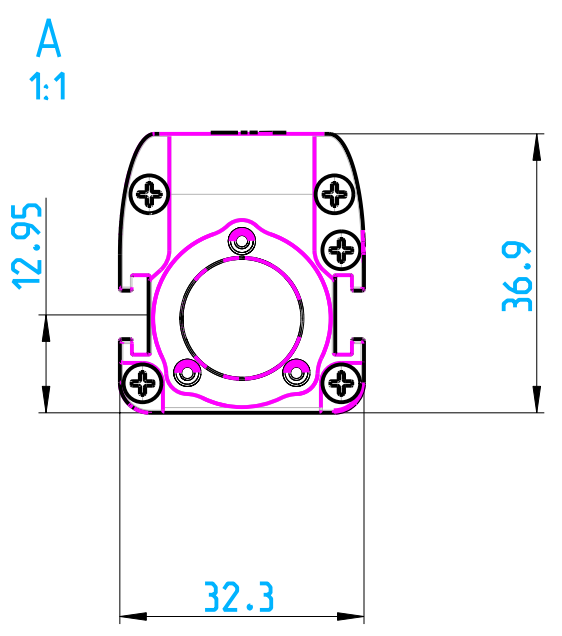
F



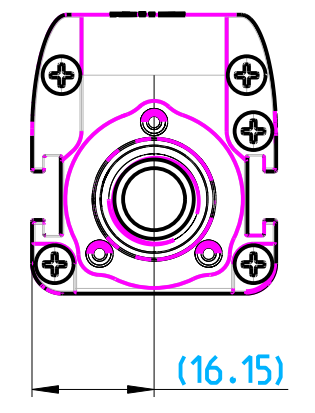
A



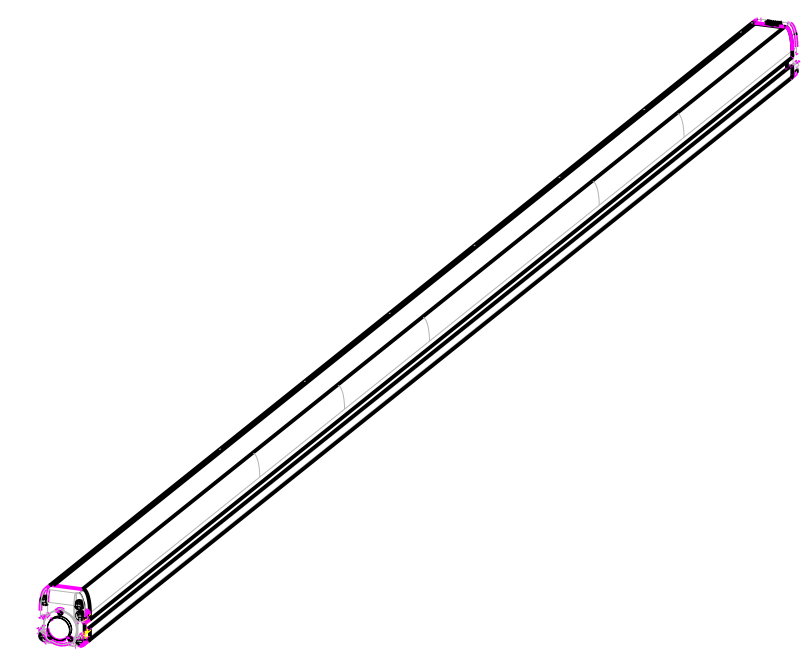
B



A
1:1



B
1:1



Observe protection note to DIN 34

-	20110065	10.3.2011	EP-MK	EP-MK	neue Zeichnung		
Index	ECO no.	Date	Editor	Checked	new drawing		
Scale	1:5			Date	Name	MODEL: 2008582 DRW: 2008583	
Material			Created	10.3.2011	EP-MK	Internet Dokument Internet document PSEN op 120/1	
			Checked	10.3.2011	EP-MK		
			Norm	-	-		
Surface			All dimensions are in mm			Doc.-No. 2008583	Page 1
			Unspecified Tolerance			Mat.-No. -	of 1

