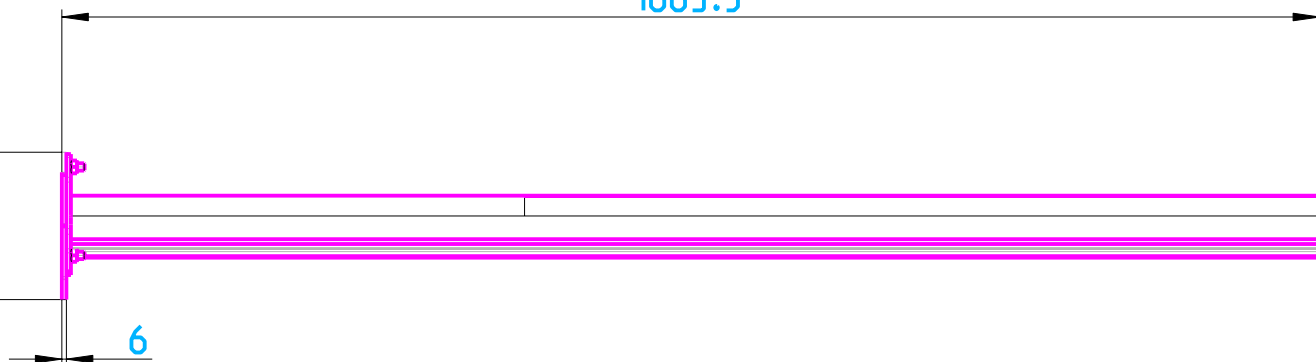


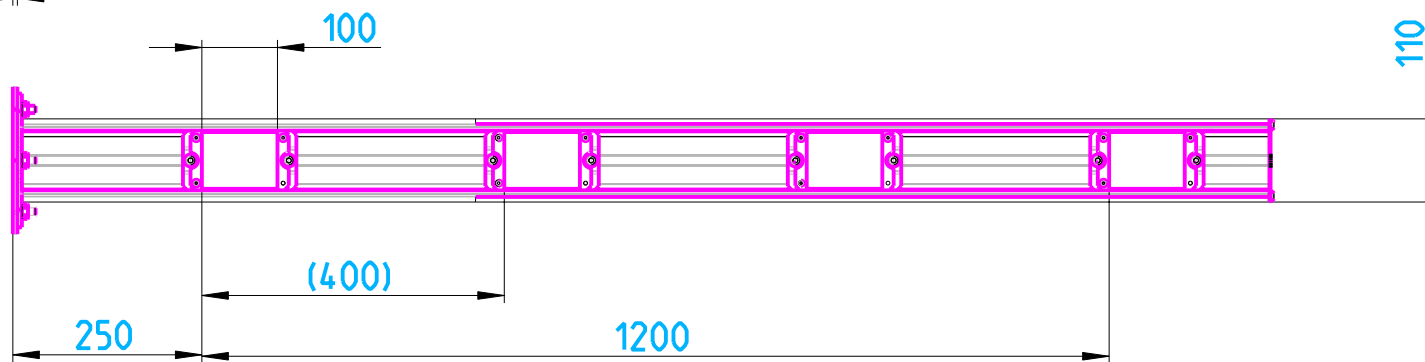
Ø195



1663.5



6



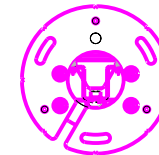
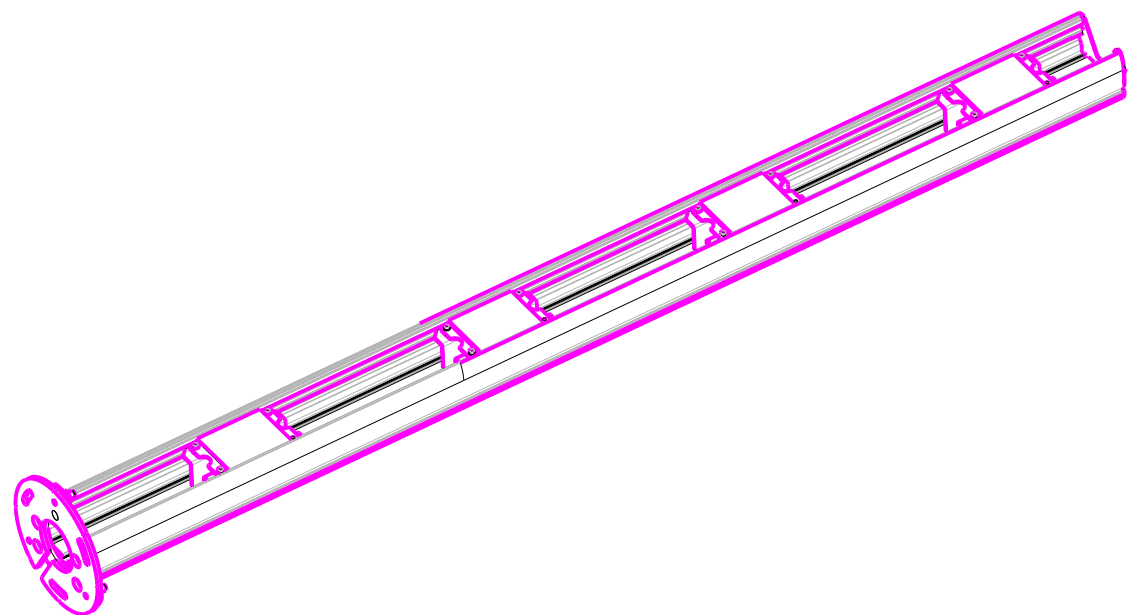
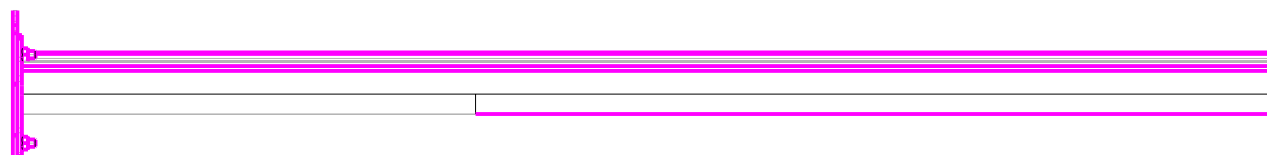
100

110

(400)

250

1200



Observe protection note to DIN 34

-	20120306	07.09.2012	EP-MK	EP-MK	-		
Index	ECD no.	Date	Editor	Checked	-		
Scale	1:10			Date	Name	MODEL: 2011263	DRW: 2011264
Material	-		Created	07.09.2012	EP-MK	Internet Dokument Internet document PSEN op Protect. Column 4-1200	
-			Checked	07.09.2012	EP-MK		
-			Norm	-	-		
Surface	-		All dimensions are in mm			Doc.-No.	2011264
-			Unspecified tolerance			Mat.-No.	-
						Page	1
						of	1

**pilz**