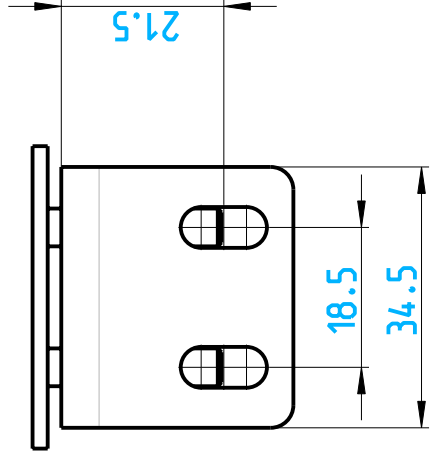
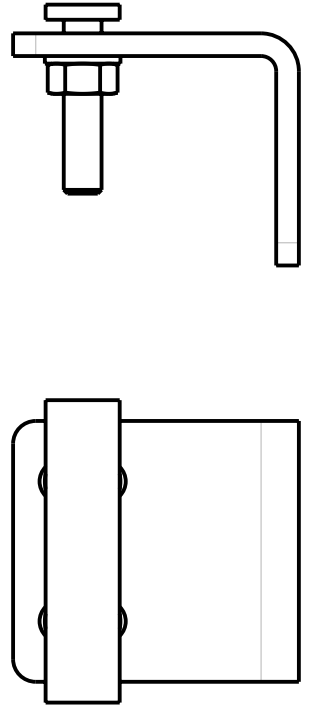


1 2 3 4

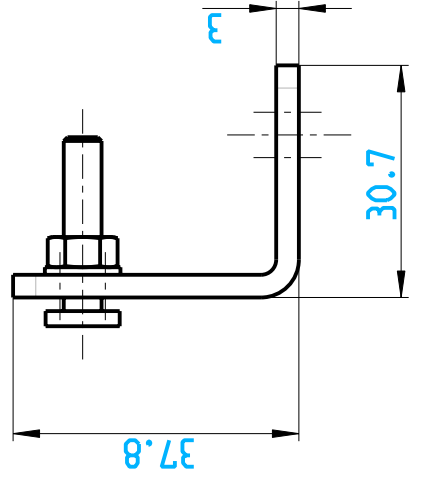
A



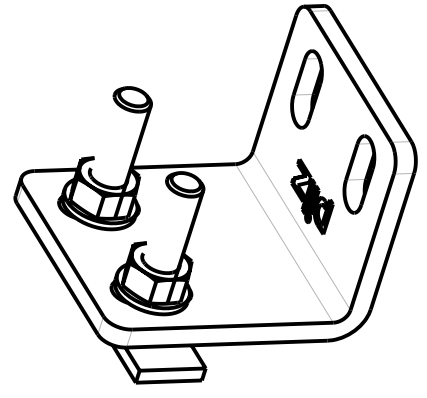
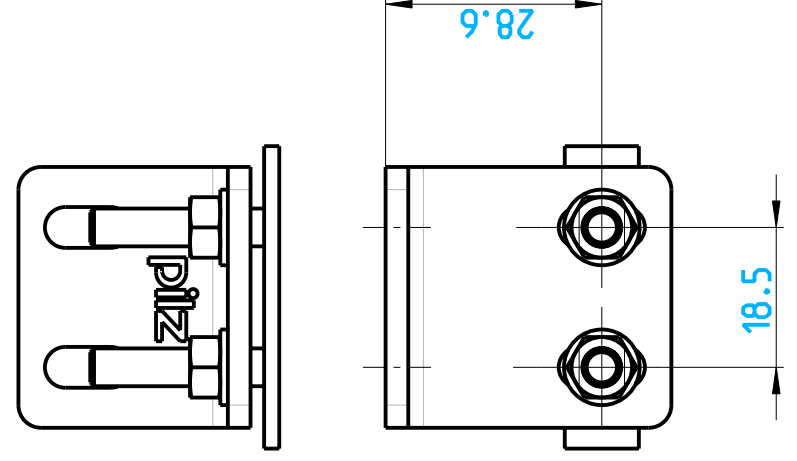
B



C



D



Observe protection note to DIN 34

-	20120306	27.09.2012	EP-MK	EP-MK	-
Index	ECO no.	Date	Editor	Checked	-
Scale			Created	Date	Name
1:1			Checked	27.09.2012	EP-MK
Material			Norm	27.09.2012	EP-MK
-				-	-
Surface			All dimensions are in mm		
-			Unspecified tolerance		
			MODEL: 2011352		DRW: 2011353
			Internet Dokument Internet document PSEN op bracket		
			Doc.-No. 2011353		Page 1
			Mat.-No. -		of 1
pilz					