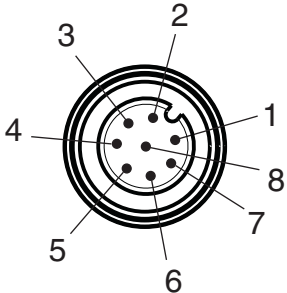


PSS67/PDP67 Cable M12 8p

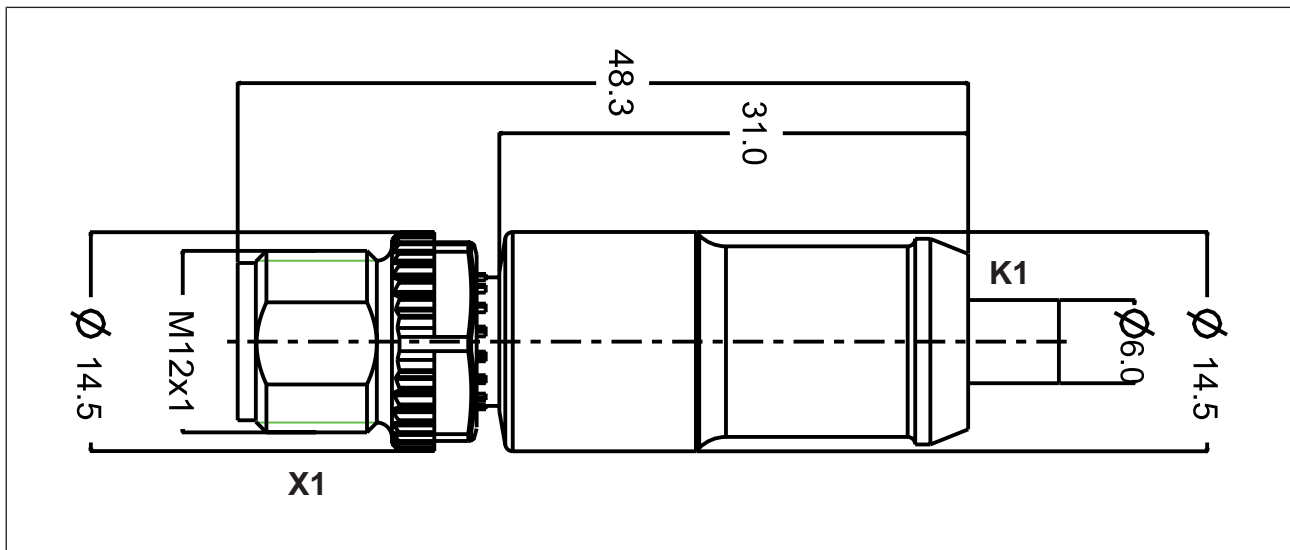
Connector pin assignment



Colour coding	
1	white
2	brown
3	green
4	yellow
5	grey
6	pink
7	blue
8	red

Plan view plug-in connector X1

Dimensions



Technical details Order no. 380700 - 380702

General	380700	380701	380702
Approvals	cULus Listed	cULus Listed	cULus Listed
Electrical data	380700	380701	380702
Rated voltage			
Voltage UB	30 V	30 V	30 V
Rated current	2 A	2 A	2 A
Test voltage	3.000 V	3.000 V	3.000 V
Typ. conductor resistance			
K1	79 Ohm/km	79 Ohm/km	79 Ohm/km

PSS67/PDP67 Cable M12 8p

Electrical data	380700	380701	380702
Insulation resistance	100 MOhm	100 MOhm	100 MOhm
Volume resistance	3 mOhm	3 mOhm	3 mOhm
Specific volume resistance K1	$\geq 7E+15 \text{ Ohm*cm}$	$\geq 7E+15 \text{ Ohm*cm}$	$\geq 7E+15 \text{ Ohm*cm}$
Specific cable capacitance K1	64,6pF/m	64,6pF/m	64,6pF/m
Environmental data	380700	380701	380702
Ambient temperature			
Temperature range	-25 - 80 °C	-25 - 80 °C	-25 - 80 °C
Airgap creepage			
Pollution degree	3	3	3
Protection type			
X1 when inserted	IP68	IP68	IP68
Housing	IP68	IP68	IP68
Mechanical data	380700	380701	380702
Plug-in connector X1	M12, 8-pin male connector	M12, 8-pin male connector	M12, 8-pin male connector
In accordance with the standard	EN 61076-2-101	EN 61076-2-101	EN 61076-2-101
Form, plug-in connector X1	Straight	Straight	Straight
Housing material X1	PUR	PUR	PUR
Material of contact surface X1	Au	Au	Au
Material of pin	CuZn	CuZn	CuZn
Conductor material K1	Cu	Cu	Cu
Insulating cover for conductor K1	PP (9Y)	PP (9Y)	PP (9Y)
Mating cycles X1	100	100	100
Cable type K1	LiF9Y11Y	LiF9Y11Y	LiF9Y11Y
Cable length L1	2 m	5 m	10 m
Colour of external cable insulation K1	Yellow, similar to RAL1003	Yellow, similar to RAL1003	Yellow, similar to RAL1003
Colour of housing	black	black	black
Cable insulation material K1	PUR, TPU / TPE-U	PUR, TPU / TPE-U	PUR, TPU / TPE-U
Drag chain suitable K1	yes	yes	yes
Min. bending radius (fixed permanently) K1	5 x Ø	5 x Ø	5 x Ø
Min. bending radius (moving) K1	10 x Ø	10 x Ø	10 x Ø
Cable diameter K1	6 mm	6 mm	6 mm
Max. cable diameter K1	6,1 mm	6,1 mm	6,1 mm

PSS67/PDP67 Cable M12 8p

Mechanical data	380700	380701	380702
Conductor cross section K1	0,25 mm ²	0,25 mm ²	0,25 mm ²
Conductor cross section AWG K1	24	24	24
Wire colour K1	White, brown, green, yellow, grey, pink, blue, red	White, brown, green, yellow, grey, pink, blue, red	White, brown, green, yellow, grey, pink, blue, red
Stranding K1	8 cores around plastic filler	8 cores around plastic filler	8 cores around plastic filler
Shielding K1	No	No	No
Wire layer separation K1	No	No	No
No. of wires K1	8	8	8
Approval cable K1	UL AWM-Style 20233, UL/CSA	UL AWM-Style 20233, UL/CSA	UL AWM-Style 20233, UL/CSA
Approval of plug-in connector X1	UL94 V-0	UL94 V-0	UL94 V-0
Halogen-free	yes	yes	yes
Silicone-free	yes	yes	yes
Oil resistance	Resistant	Resistant	Resistant
Non-flammability	UL VW1, FT1	UL VW1, FT1	UL VW1, FT1
Material			
Housing	PUR	PUR	PUR
Weight	125 g	288 g	554 g

Technical details Order no. 380703 - 380704

General	380703	380704
Approvals	cULus Listed	cULus Listed
Electrical data	380703	380704
Rated voltage		
Voltage UB	30 V	30 V
Rated current	2 A	2 A
Test voltage	3.000 V	3.000 V
Typ. conductor resistance K1	79 Ohm/km	79 Ohm/km
Insulation resistance	100 MOhm	100 MOhm
Volume resistance	3 mOhm	3 mOhm
Specific volume resistance K1	>= 7E+15 Ohm*cm	>= 7E+15 Ohm*cm
Specific cable capacitance K1	64,6pF/m	64,6pF/m
Environmental data	380703	380704
Ambient temperature		
Temperature range	-25 - 80 °C	-25 - 80 °C

PSS67/PDP67 Cable M12 8p

Environmental data	380703	380704
Airgap creepage		
Pollution degree	3	3
Protection type		
X1 when inserted	IP68	IP68
Housing	IP68	IP68
Mechanical data	380703	380704
Plug-in connector X1	M12, 8-pin male connector	M12, 8-pin male connector
In accordance with the standard	EN 61076-2-101	EN 61076-2-101
Form, plug-in connector X1	Straight	Straight
Housing material X1	PUR	PUR
Material of contact surface X1	Au	Au
Material of pin	CuZn	CuZn
Conductor material K1	Cu	Cu
Insulating cover for conductor K1	PP (9Y)	PP (9Y)
Mating cycles X1	100	100
Cable type K1	LIF9Y11Y	LIF9Y11Y
Cable length L1	20 m	30 m
Colour of external cable insulation K1	Yellow, similar to RAL1003	Yellow, similar to RAL1003
Colour of housing	black	black
Cable insulation material K1	PUR, TPU / TPE-U	PUR, TPU / TPE-U
Drag chain suitable K1	yes	yes
Min. bending radius (fixed permanently) K1	5 x Ø	5 x Ø
Min. bending radius (moving) K1	10 x Ø	10 x Ø
Cable diameter K1	6 mm	6 mm
Max. cable diameter K1	6,1 mm	6,1 mm
Conductor cross section K1	0,25 mm²	0,25 mm²
Conductor cross section AWG K1	24	24
Wire colour K1	White, brown, green, yellow, grey, pink, blue, red	White, brown, green, yellow, grey, pink, blue, red
Stranding K1	8 cores around plastic filler	8 cores around plastic filler
Shielding K1	No	No
Wire layer separation K1	No	No
No. of wires K1	8	8
Approval cable K1	UL AWM-Style 20233, UL/CSA	UL AWM-Style 20233, UL/CSA
Approval of plug-in connector X1	UL94 V-0	UL94 V-0
Halogen-free	yes	yes
Silicone-free	yes	yes
Oil resistance	Resistant	Resistant
Non-flammability	UL VW1, FT1	UL VW1, FT1

PSS67/PDP67 Cable M12 8p

Mechanical data	380703	380704
Material		
Housing	PUR	PUR
Weight	1.088 g	1.641 g

Order reference

Product type	Features	Connector X1	Connector X2	Connector X3	Order no.
PDP67 cable M12-8sm, 2m	2 m	M12, 8-pin male con- nector, straight			380 700
PDP67 cable M12-8sm, 5m	5 m	M12, 8-pin male con- nector, straight			380 701
PDP67 cable M12-8sm, 10m	10 m	M12, 8-pin male con- nector, straight			380 702
PDP67 cable M12-8sm, 20m	20 m	M12, 8-pin male con- nector, straight			380 703
PDP67 cable M12-8sm, 30m	30 m	M12, 8-pin male con- nector, straight			380 704