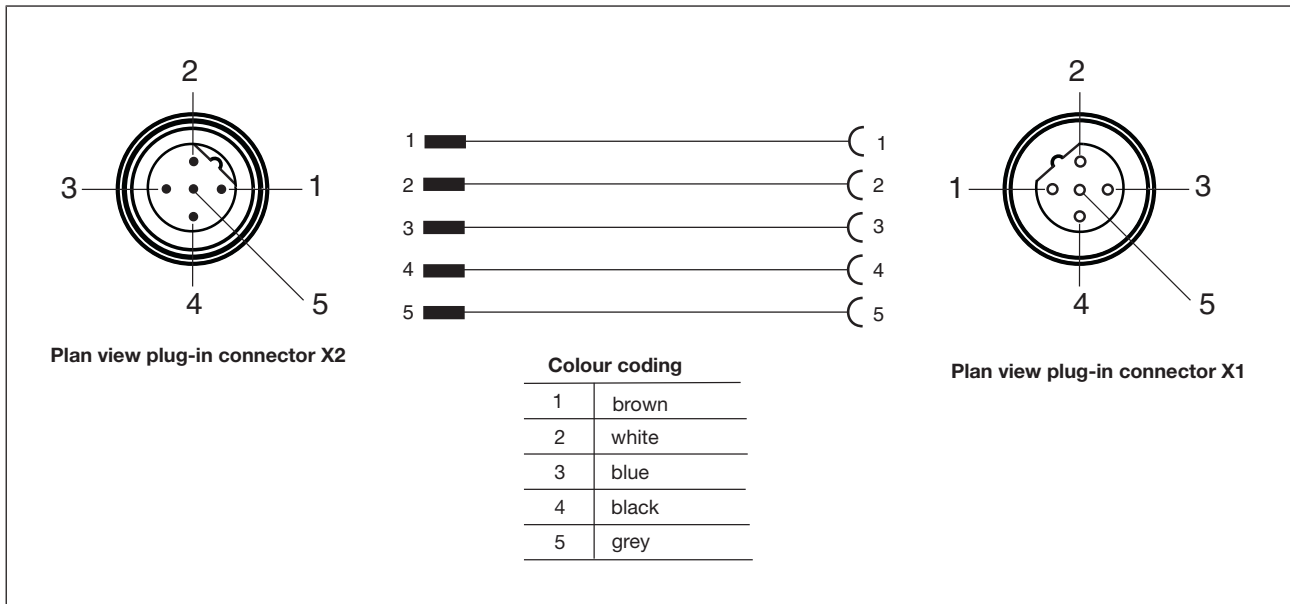


# Accessories

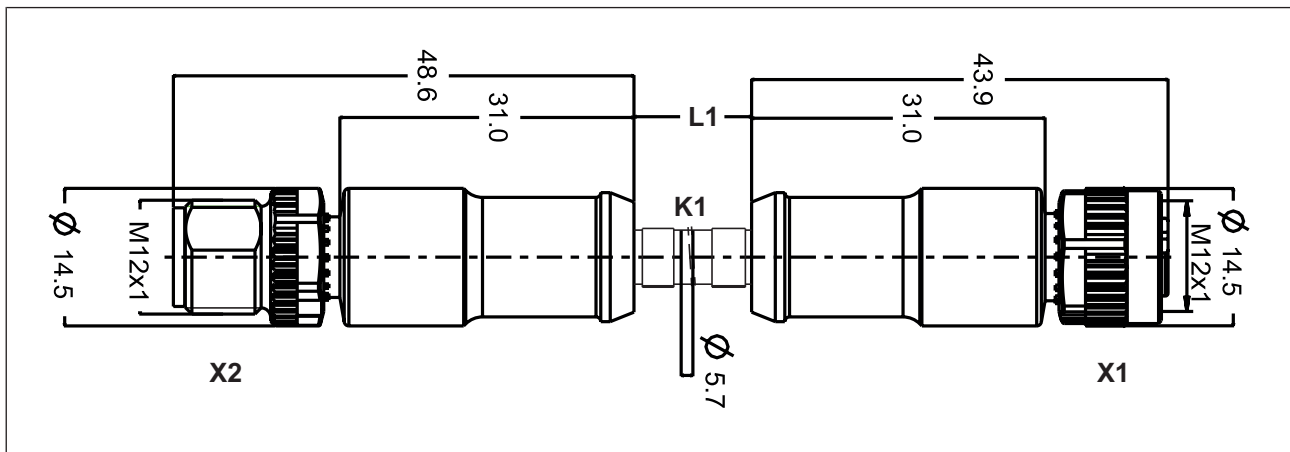
## PSS67/PDP67 Supply Cable IN-OUT

### Connector pin assignment



### Dimensions

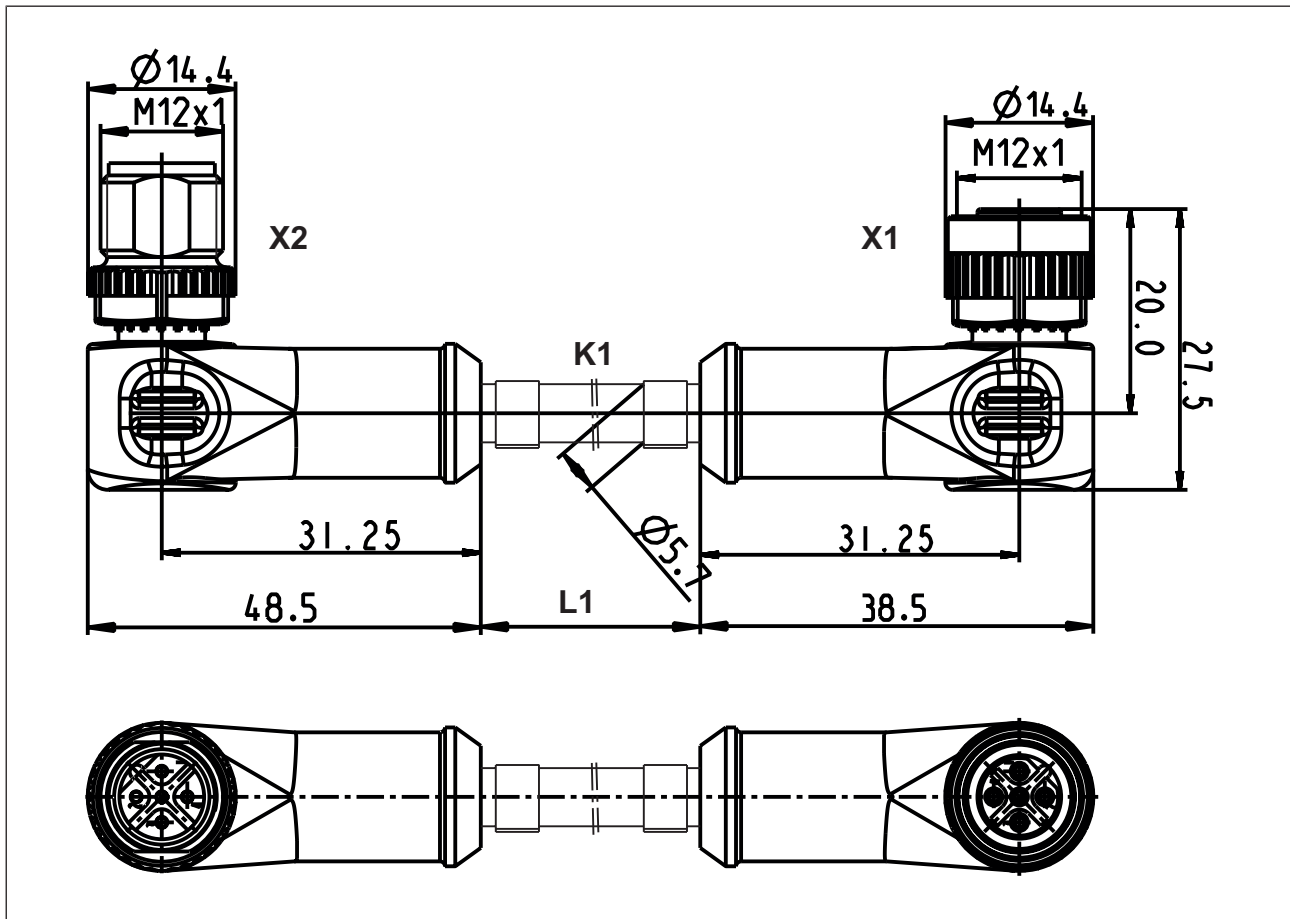
► M12 male connector, straight – M12 female connector, straight:



# Accessories

## PSS67/PDP67 Supply Cable IN-OUT

► M12 male connector, angled – M12 female connector, angled:



Technical details Order no. 380249

### General

Certifications

cULus Listed

### Electrical data

Rated voltage

Voltage UB

60 V

Rated current

4 A

Test voltage

3.000 V

Typ. conductor resistance K1

39 Ohm/km

Insulation resistance

100 MOhm

Volume resistance

3 mOhm

Specific volume resistance K1

$\geq 1E+17$  Ohm\*cm

Specific cable capacitance K1

105pF/m

# Accessories

## PSS67/PDP67 Supply Cable IN-OUT

### Environmental data

Temperature when using in the drag chain **-25 - 60 °C**

Ambient temperature

Temperature range **-25 - 80 °C**

Airgap creepage

Pollution degree **3**

Protection type

X1 when inserted **IP68**

X2 when inserted **IP68**

Housing **IP68**

### Mechanical data

Plug-in connector X1 **M12, 5-pin female connector**

In accordance with the standard **EN 61076-2-101**

Form, plug-in connector X1 **Straight**

Coding of plug-in connector X1 **B-coded**

Plug-in connector X2 **M12, 5-pin male connector**

In accordance with the standard **EN 61076-2-101**

Form, plug-in connector X2 **Straight**

Coding of plug-in connector X2 **B-coded**

Housing material X1 **PUR**

Housing material X2 **PUR**

Material of contact surface X1 **Au**

Material of contact surface X2 **Au**

Material of pin **CuZn**

Material of socket **CuSn**

Conductor material K1 **Cu**

Insulating cover for conductor K1 **PP9P**

Mating cycles X1 **100**

Mating cycles X2 **100**

Cable type K1 **Li9YH-11YH**

Cable length L1 **0,5 m**

Colour of external cable insulation K1 **Black, similar to RAL9005**

Colour of housing **black**

Cable insulation material K1 **PUR, TPU / TPE-U**

Drag chain suitable K1 **yes**

Min. bending radius (fixed permanently) K1 **5 x Ø**

Min. bending radius (moving) K1 **10 x Ø**

Max. traverse path K1 **5 m**

Bending cycles cable K1 **2.000.000**

Max. traverse speed K1 **3,3 m/s**

Max. acceleration K1 **5 m/s<sup>2</sup>**

# Accessories

## PSS67/PDP67 Supply Cable IN-OUT

Mechanical data	
Cable diameter K1	6 mm
Max. cable diameter K1	6,2 mm
Conductor cross section K1	0,5 mm <sup>2</sup>
Conductor cross section AWG K1	20
Wire colour K1	Brown, white, blue, black, grey
Stranding K1	5 cores around PP split yarn
Shielding K1	No
Wire layer separation K1	No
No. of wires K1	5
Certification cable K1	UL AWM-Style 20549
Halogen-free	yes
Silicone-free	yes
Oil resistance	Resistant
Non-flammability	CSA 22.2 FT2, UL 1581
Material	
Housing	PUR
Weight	50 g

### Technical details Order no. 380250 - 380252

General	380250	380251	380252
Certifications	cULus Listed	cULus Listed	cULus Listed
Electrical data	380250	380251	380252
Rated voltage			
Voltage UB	60 V	60 V	60 V
Rated current	4 A	4 A	4 A
Test voltage	3.000 V	3.000 V	3.000 V
Typ. conductor resistance K1	39 Ohm/km	39 Ohm/km	39 Ohm/km
Insulation resistance	100 MOhm	100 MOhm	100 MOhm
Volume resistance	3 mOhm	3 mOhm	3 mOhm
Specific volume resistance K1	>= 1E+17 Ohm*cm	>= 1E+17 Ohm*cm	>= 1E+17 Ohm*cm
Specific cable capacitance K1	105pF/m	105pF/m	105pF/m
Environmental data	380250	380251	380252
Temperature when using in the drag chain	-25 - 60 °C	-25 - 60 °C	-25 - 60 °C
Ambient temperature			
Temperature range	-25 - 80 °C	-25 - 80 °C	-25 - 80 °C

# Accessories

## PSS67/PDP67 Supply Cable IN-OUT

<b>Environmental data</b>	<b>380250</b>	<b>380251</b>	<b>380252</b>
Airgap creepage			
Pollution degree	<b>3</b>	<b>3</b>	<b>3</b>
Protection type			
X1 when inserted	<b>IP68</b>	<b>IP68</b>	<b>IP68</b>
X2 when inserted	<b>IP68</b>	<b>IP68</b>	<b>IP68</b>
Housing	<b>IP68</b>	<b>IP68</b>	<b>IP68</b>
<b>Mechanical data</b>	<b>380250</b>	<b>380251</b>	<b>380252</b>
Plug-in connector X1	<b>M12, 5-pin female connector</b>	<b>M12, 5-pin female connector</b>	<b>M12, 5-pin female connector</b>
In accordance with the standard	<b>EN 61076-2-101</b>	<b>EN 61076-2-101</b>	<b>EN 61076-2-101</b>
Form, plug-in connector X1	<b>Straight</b>	<b>Straight</b>	<b>Straight</b>
Coding of plug-in connector X1	<b>B-coded</b>	<b>B-coded</b>	<b>B-coded</b>
Plug-in connector X2	<b>M12, 5-pin male connector</b>	<b>M12, 5-pin male connector</b>	<b>M12, 5-pin male connector</b>
In accordance with the standard	<b>EN 61076-2-101</b>	<b>EN 61076-2-101</b>	<b>EN 61076-2-101</b>
Form, plug-in connector X2	<b>Straight</b>	<b>Straight</b>	<b>Straight</b>
Coding of plug-in connector X2	<b>B-coded</b>	<b>B-coded</b>	<b>B-coded</b>
Housing material X1	<b>PUR</b>	<b>PUR</b>	<b>PUR</b>
Housing material X2	<b>PUR</b>	<b>PUR</b>	<b>PUR</b>
Material of contact surface X1	<b>Au</b>	<b>Au</b>	<b>Au</b>
Material of contact surface X2	<b>Au</b>	<b>Au</b>	<b>Au</b>
Material of pin	<b>CuZn</b>	<b>CuZn</b>	<b>CuZn</b>
Material of socket	<b>CuSn</b>	<b>CuSn</b>	<b>CuSn</b>
Conductor material K1	<b>Cu</b>	<b>Cu</b>	<b>Cu</b>
Insulating cover for conductor K1	<b>PP9P</b>	<b>PP9P</b>	<b>PP9P</b>
Mating cycles X1	<b>100</b>	<b>100</b>	<b>100</b>
Mating cycles X2	<b>100</b>	<b>100</b>	<b>100</b>
Cable type K1	<b>Li9YH-11YH</b>	<b>Li9YH-11YH</b>	<b>Li9YH-11YH</b>
Cable length L1	<b>3 m</b>	<b>5 m</b>	<b>10 m</b>
Colour of external cable insulation K1	<b>Black, similar to RAL9005</b>	<b>Black, similar to RAL9005</b>	<b>Black, similar to RAL9005</b>
Colour of housing	<b>black</b>	<b>black</b>	<b>black</b>
Cable insulation material K1	<b>PUR, TPU / TPE-U</b>	<b>PUR, TPU / TPE-U</b>	<b>PUR, TPU / TPE-U</b>

# Accessories

## PSS67/PDP67 Supply Cable IN-OUT

<b>Mechanical data</b>	<b>380250</b>	<b>380251</b>	<b>380252</b>
Drag chain suitable K1	yes	yes	yes
Min. bending radius (fixed permanently) K1	5 x Ø	5 x Ø	5 x Ø
Min. bending radius (moving) K1	10 x Ø	10 x Ø	10 x Ø
Max. traverse path K1	5 m	5 m	5 m
Bending cycles cable K1	2.000.000	2.000.000	2.000.000
Max. traverse speed K1	3,3 m/s	3,3 m/s	3,3 m/s
Max. acceleration K1	5 m/s <sup>2</sup>	5 m/s <sup>2</sup>	5 m/s <sup>2</sup>
Cable diameter K1	6 mm	6 mm	6 mm
Max. cable diameter K1	6,2 mm	6,2 mm	6,2 mm
Conductor cross section K1	0,5 mm <sup>2</sup>	0,5 mm <sup>2</sup>	0,5 mm <sup>2</sup>
Conductor cross section AWG K1	20	20	20
Wire colour K1	Brown, white, blue, black, grey	Brown, white, blue, black, grey	Brown, white, blue, black, grey
Stranding K1	5 cores around PP split yarn	5 cores around PP split yarn	5 cores around PP split yarn
Shielding K1	No	No	No
Wire layer separation K1	No	No	No
No. of wires K1	5	5	5
Certification cable K1	UL AWM-Style 20549	UL AWM-Style 20549	UL AWM-Style 20549
Halogen-free	yes	yes	yes
Silicone-free	yes	yes	yes
Oil resistance	Resistant	Resistant	Resistant
Non-flammability	CSA 22.2 FT2, UL 1581	CSA 22.2 FT2, UL 1581	CSA 22.2 FT2, UL 1581
Material			
Housing	PUR	PUR	PUR
Weight	187 g	292 g	565 g

### Technical details Order no. 380253 - 380255

<b>General</b>	<b>380253</b>	<b>380254</b>	<b>380255</b>
Certifications	-	-	-
<b>Electrical data</b>	<b>380253</b>	<b>380254</b>	<b>380255</b>
Rated voltage			
Voltage UB	60 V	60 V	60 V
Rated current	4 A	4 A	4 A
Insulation resistance	100 MOhm	100 MOhm	100 MOhm
Volume resistance	3 mOhm	3 mOhm	3 mOhm

# Accessories

## PSS67/PDP67 Supply Cable IN-OUT

<b>Electrical data</b>	<b>380253</b>	<b>380254</b>	<b>380255</b>
Specific volume resistance K1	<b>&gt;= 1E+14 Ohm*cm</b>	<b>&gt;= 1E+14 Ohm*cm</b>	<b>&gt;= 1E+14 Ohm*cm</b>
Specific cable capacitance K1	<b>105pF/m</b>	<b>105pF/m</b>	<b>105pF/m</b>
<b>Environmental data</b>	<b>380253</b>	<b>380254</b>	<b>380255</b>
Ambient temperature			
Temperature range	<b>-5 - 70 °C</b>	<b>-5 - 70 °C</b>	<b>-5 - 70 °C</b>
Airgap creepage			
Pollution degree	<b>3</b>	<b>3</b>	<b>3</b>
Protection type			
X1 when inserted	<b>IP68</b>	<b>IP68</b>	<b>IP68</b>
X2 when inserted	<b>IP68</b>	<b>IP68</b>	<b>IP68</b>
Housing	<b>IP68</b>	<b>IP68</b>	<b>IP68</b>
<b>Mechanical data</b>	<b>380253</b>	<b>380254</b>	<b>380255</b>
Plug-in connector X1	<b>M12, 5-pin female connector</b>	<b>M12, 5-pin female connector</b>	<b>M12, 5-pin female connector</b>
In accordance with the standard	<b>EN 61076-2-101</b>	<b>EN 61076-2-101</b>	<b>EN 61076-2-101</b>
Form, plug-in connector X1	<b>Angled</b>	<b>Angled</b>	<b>Angled</b>
Coding of plug-in connector X1	<b>B-coded</b>	<b>B-coded</b>	<b>B-coded</b>
Plug-in connector X2	<b>M12, 5-pin male connector</b>	<b>M12, 5-pin male connector</b>	<b>M12, 5-pin male connector</b>
In accordance with the standard	<b>EN 61076-2-101</b>	<b>EN 61076-2-101</b>	<b>EN 61076-2-101</b>
Form, plug-in connector X2	<b>Angled</b>	<b>Angled</b>	<b>Angled</b>
Coding of plug-in connector X2	<b>B-coded</b>	<b>B-coded</b>	<b>B-coded</b>
Housing material X1	<b>PUR</b>	<b>PUR</b>	<b>PUR</b>
Housing material X2	<b>PUR</b>	<b>PUR</b>	<b>PUR</b>
Material of contact surface X1	<b>Au</b>	<b>Au</b>	<b>Au</b>
Material of contact surface X2	<b>Au</b>	<b>Au</b>	<b>Au</b>
Material of pin	<b>CuZn</b>	<b>CuZn</b>	<b>CuZn</b>
Material of socket	<b>CuSn</b>	<b>CuSn</b>	<b>CuSn</b>
Conductor material K1	<b>Cu</b>	<b>Cu</b>	<b>Cu</b>
Insulating cover for conductor K1	<b>PVC</b>	<b>PVC</b>	<b>PVC</b>
Mating cycles X1	<b>100</b>	<b>100</b>	<b>100</b>
Mating cycles X2	<b>100</b>	<b>100</b>	<b>100</b>

# Accessories

## PSS67/PDP67 Supply Cable IN-OUT

Mechanical data	380253	380254	380255
Cable type K1	LiYY11Y	LiYY11Y	LiYY11Y
Cable length L1	3 m	5 m	10 m
Colour of external cable insulation K1	Black, similar to RAL9005	Black, similar to RAL9005	Black, similar to RAL9005
Colour of housing	black	black	black
Cable insulation material K1	PUR	PUR	PUR
Drag chain suitable K1	No	No	No
Cable diameter K1	5,7 mm	5,7 mm	5,7 mm
Max. cable diameter K1	5,9 mm	5,9 mm	5,9 mm
Conductor cross section K1	0,5 mm <sup>2</sup>	0,5 mm <sup>2</sup>	0,5 mm <sup>2</sup>
Conductor cross section AWG K1	20	20	20
Wire colour K1	Brown, white, blue, black, grey	Brown, white, blue, black, grey	Brown, white, blue, black, grey
Stranding K1	5 cores around PP split yarn	5 cores around PP split yarn	5 cores around PP split yarn
Shielding K1	No	No	No
Wire layer separation K1	No	No	No
No. of wires K1	5	5	5
Material			
Housing	PUR	PUR	PUR
Weight	192 g	292 g	551 g

### Order reference

Product type	Features	Connector X1	Connector X2	Connector X3	Order no.
PSS67 Supply Cable IN sf OUT sm, B, 0.5m	0.5 m	M12, 5-pin female connector, straight, B-coded	M12, 5-pin male connector, straight, B-coded		380 249
PSS67 Supply Cable IN sf OUT sm, B, 3m	3 m	M12, 5-pin female connector, straight, B-coded	M12, 5-pin male connector, straight, B-coded		380 250
PSS67 Supply Cable IN sf OUT sm, B, 5m	5 m	M12, 5-pin female connector, straight, B-coded	M12, 5-pin male connector, straight, B-coded		380 251
PSS67 Supply Cable IN sf OUT sm, B, 10m	10 m	M12, 5-pin female connector, straight, B-coded	M12, 5-pin male connector, straight, B-coded		380 252



# Accessories

---

## PSS67/PDP67 Supply Cable IN-OUT

---

Product type	Features	Connector X1	Connector X2	Connector X3	Order no.
PSS67 Supply Cable IN af OUT am, B, 3m	3 m	M12, 5-pin female connector, angled, B-coded	M12, 5-pin male connector, angled, B-coded		380 253
PSS67 Supply Cable IN af OUT am, B, 5m	5 m	M12, 5-pin female connector, angled, B-coded	M12, 5-pin male connector, angled, B-coded		380 254
PSS67 Supply Cable IN af OUT am, B, 10m	10 m	M12, 5-pin female connector, angled, B-coded	M12, 5-pin male connector, angled, B-coded		380 255