

1 2 3 4 5 6 7 8

A

B

C

D

E

F

A

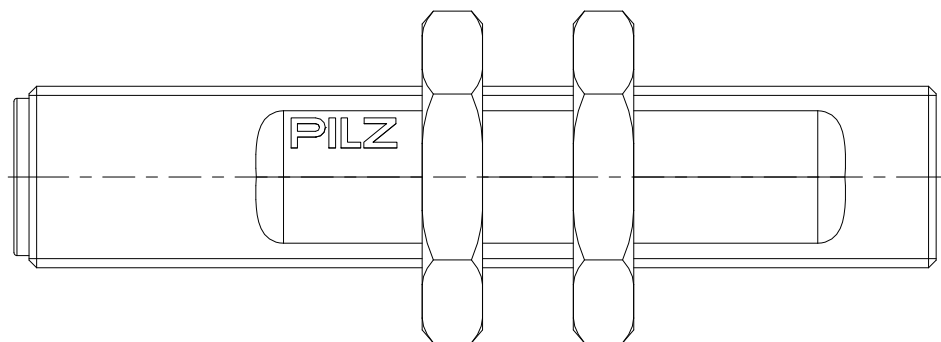
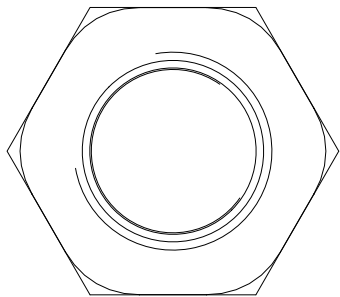
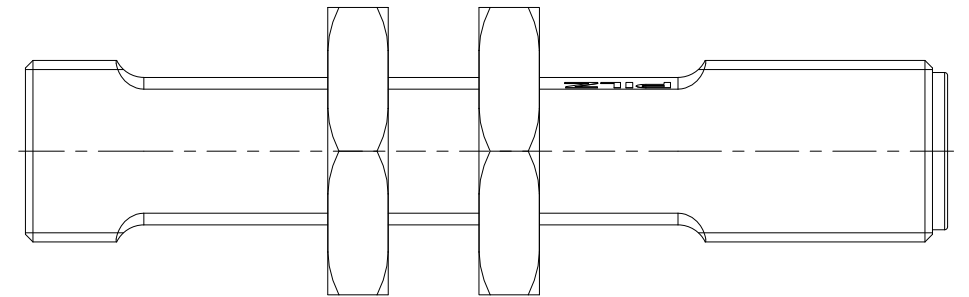
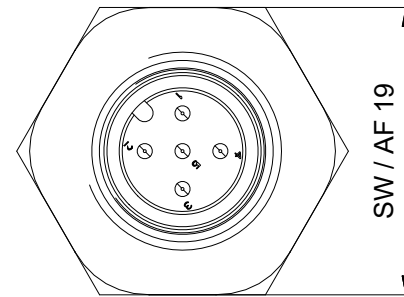
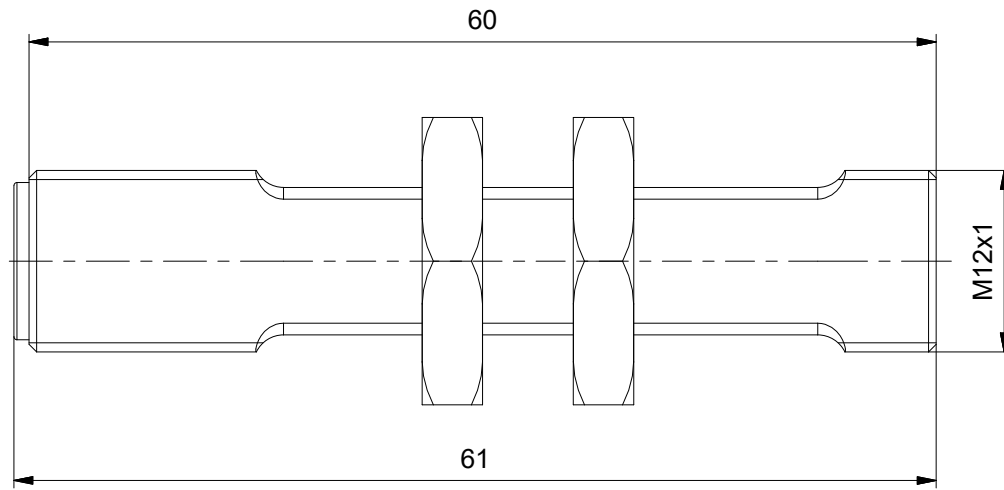
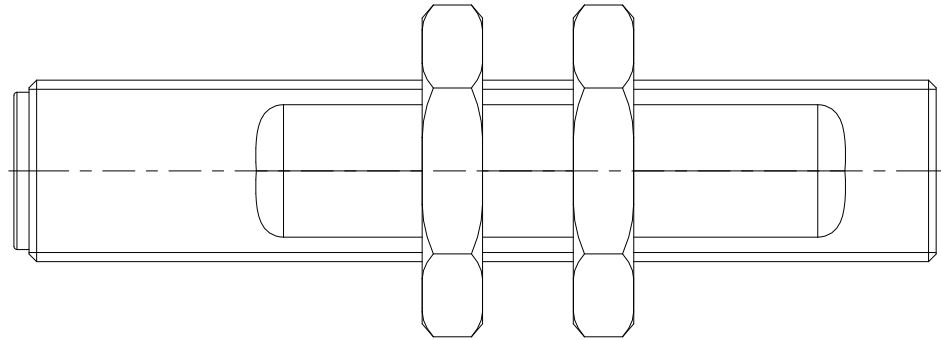
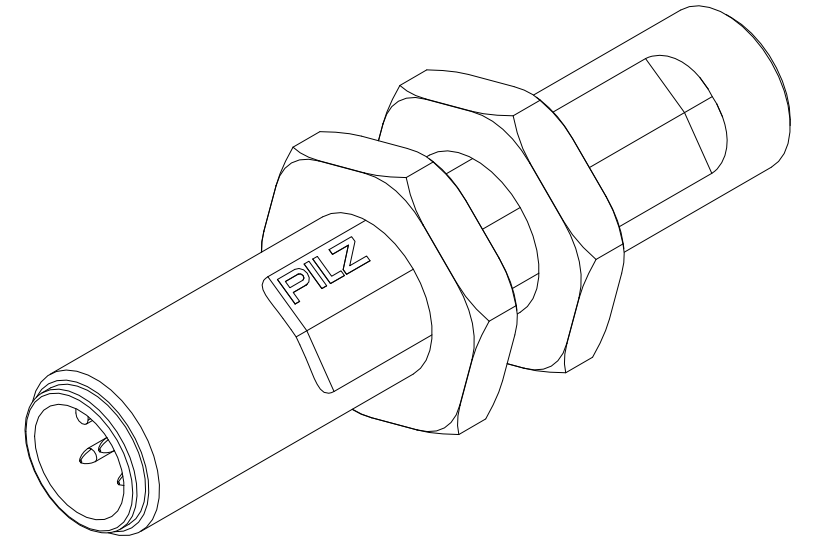
B

C

D

E

F



Observe protection note to DIN34

C	H-1267	09.10.2018	ES-NSC	ES-NSC	-		
Index	ECO no.	Date	Editor	Checked	-		
Scale	2 : 1			Date	Name	MODEL: 2025382	DRW: 2025381
Material	-	-	-	Created	20.10.2017	MK	Internet Dokument Internet document PSENma1.3n VA switch
	-	-	-	Checked	22.10.2018	ES-NSC	
Surface	-	-	-	Norm	-	-	Doc.-No. 2025381 Page 1
	-	-	-	All dimensions are in mm			
			Unspecified tolerance				

1

2

3

4

1

1