

1

2

3

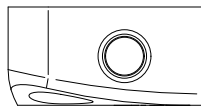
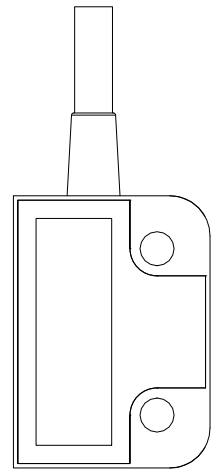
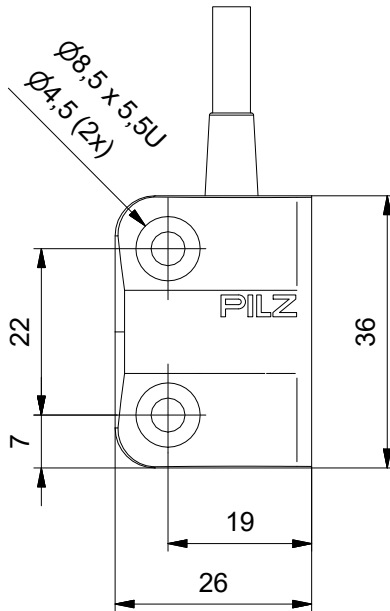
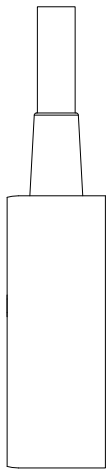
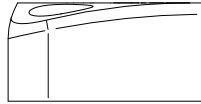
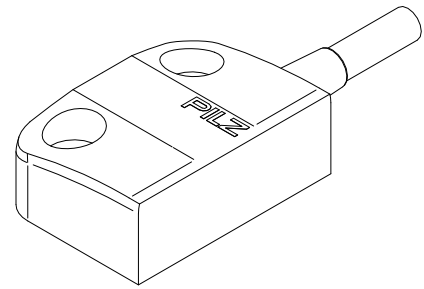
4

A

B

C

D



Observe protection note to DIN34	B	H-2243	14.02.2018	ES-PE	ES-PE	-			
	Index	ECO no.	Date	Editor	Checked	-			
	Scale			Date	Name	MODEL: 2009759	DRW: 2009758		
	Material		Created	14.02.2018	ES-PE	Internet Dokument internet document PSEN_X_1a_b_switch			
	-	Checked	14.02.2018	ES-PE					
	-	Norm	-	-					
	Surface	Unspecified tolerance			All dimensions are in mm			Doc.-No.	2009758
	-							Mat.-No.	-
	-							Page	1
								of	1
							PILZ		