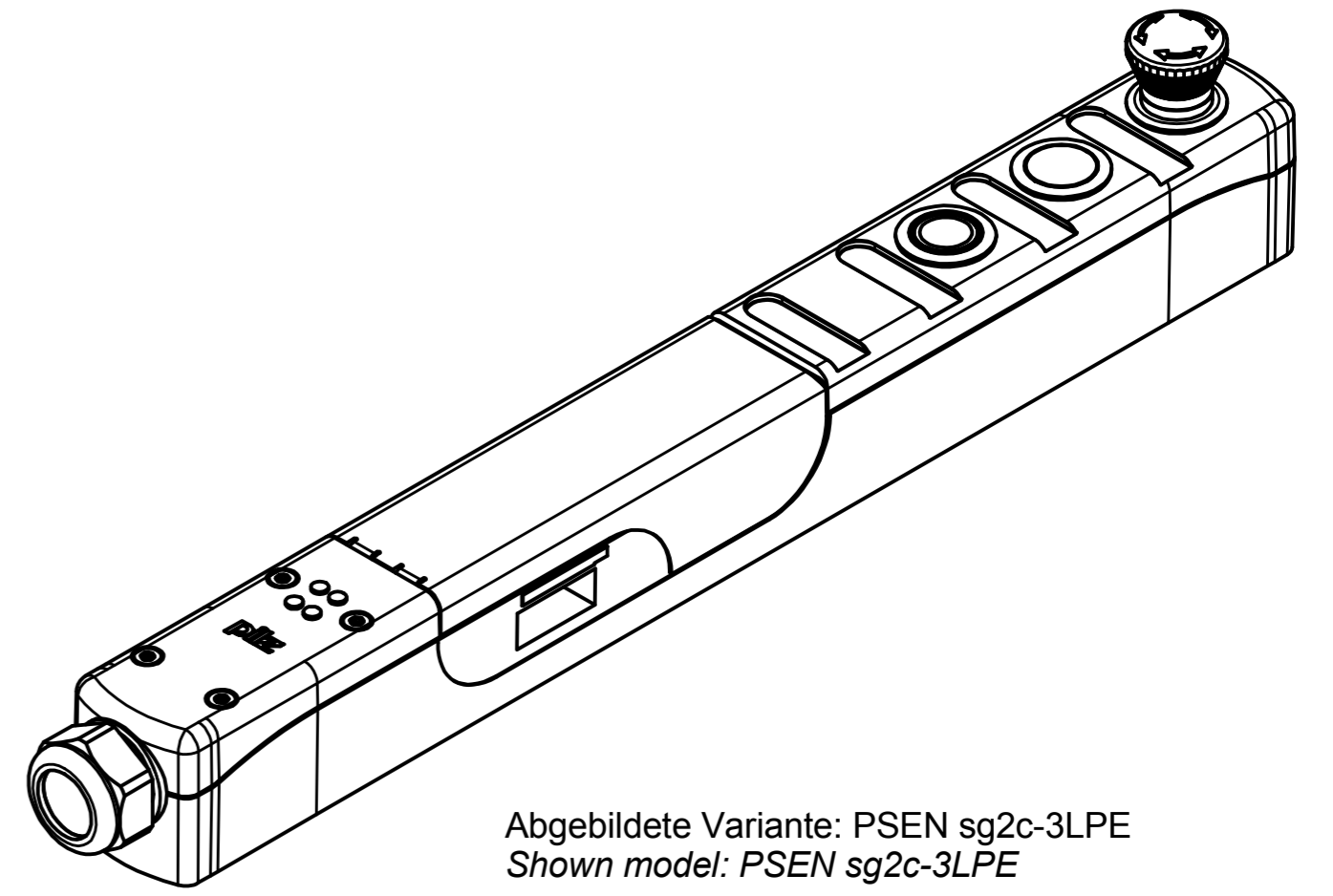


Ø8.1  
Fluchtentriegelung/  
Escape release



Abgebildete Variante: PSEN sg2c-3LPE  
Shown model: PSEN sg2c-3LPE

A	H1200031	18.03.2014	EP-MK	EP-MK	Changes	Internet Dokument Internet document PSEN sg2c-3xxx	
Scale	1:2		Date	Name			
Material			Created	18.03.2014	EP-MK		
			Checked	18.03.2014	EP-MK		
Surface			Norm	-	-	All dimensions are in mm † specified tolerance	
Replaced by						H303635	Index Page Page
							A 1 1

Observe protection note to DIN 34