

1 2 3 4 5 6 7 8

A

B

C

D

E

F

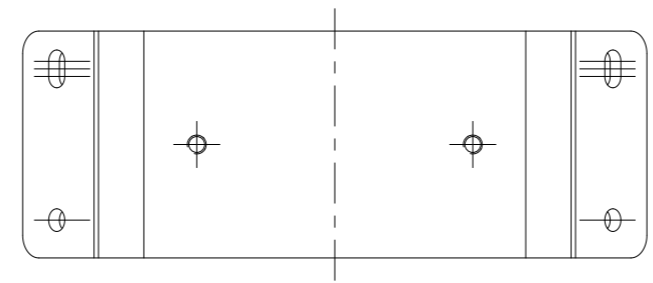
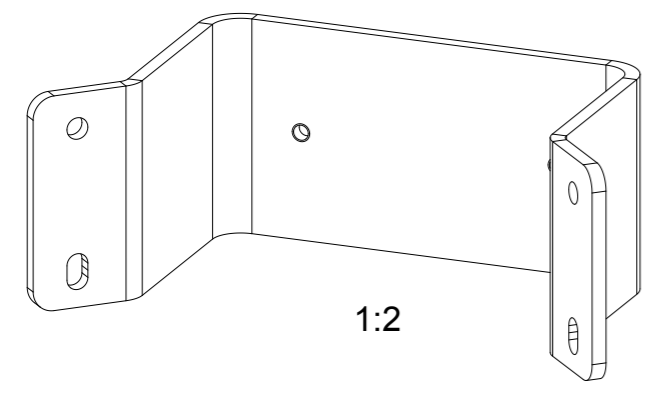
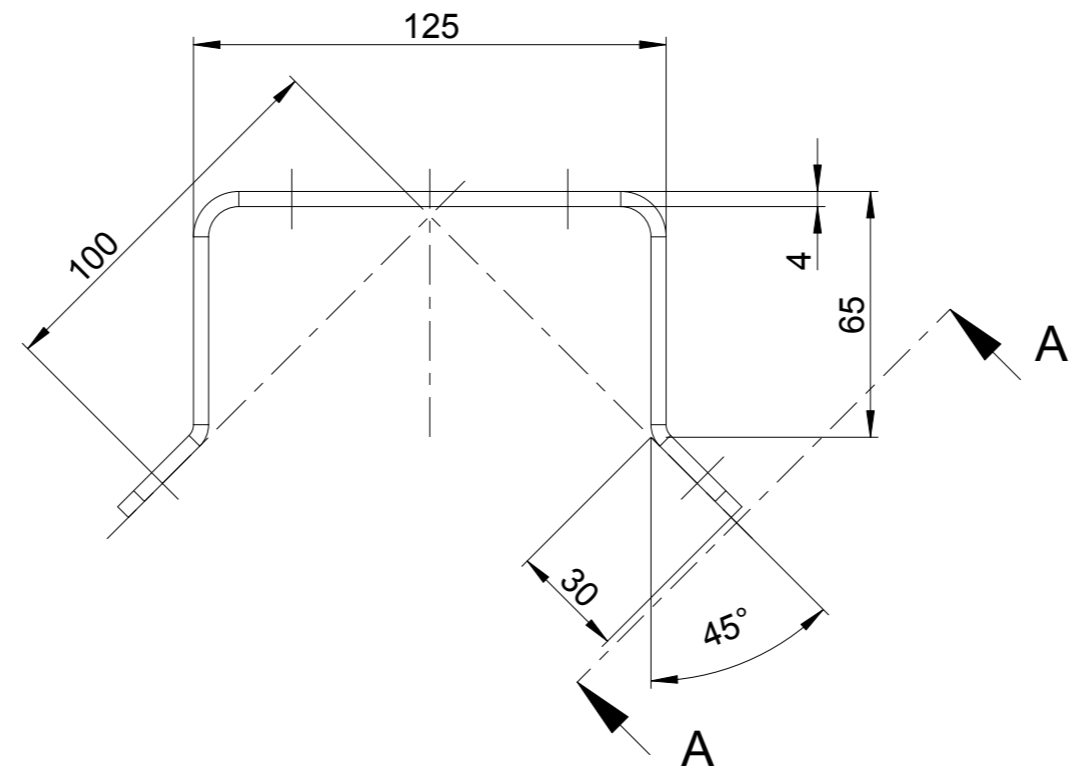
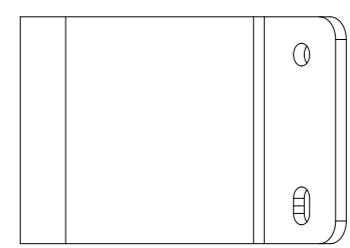
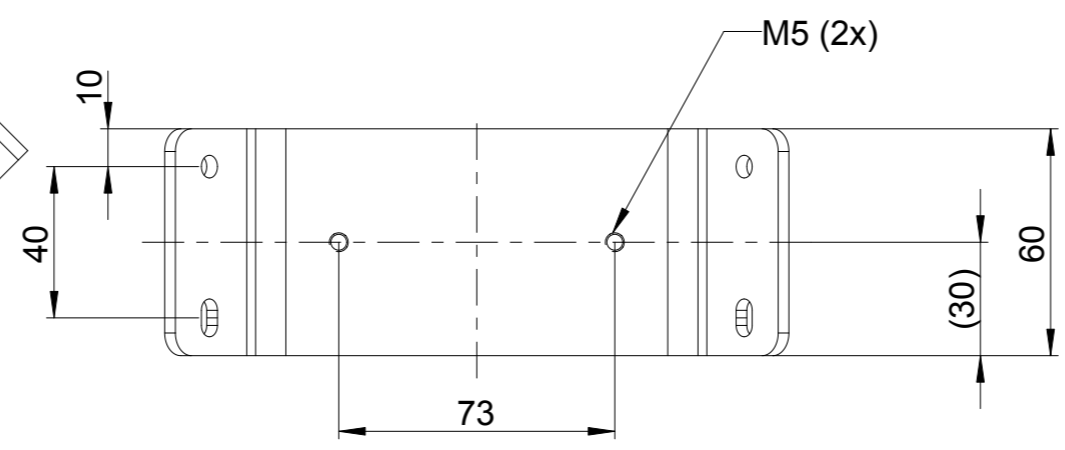
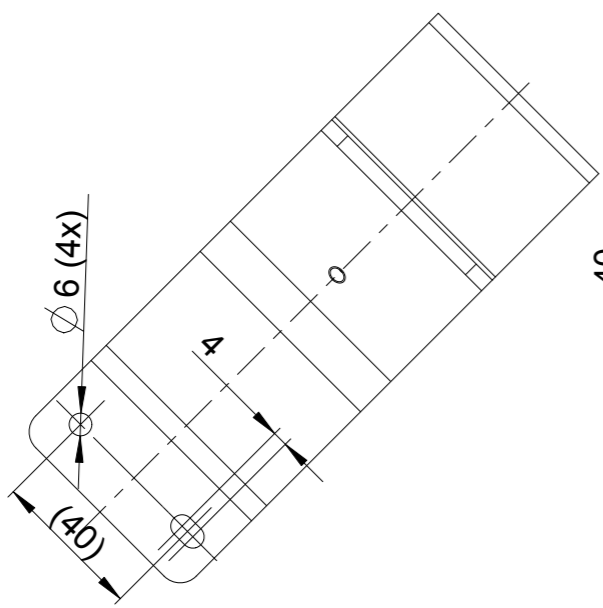
A

B

C

D

E



| | | | | | | |
|----------|----------|------------|-----------|--------------------------|----------------|-----------------------------|
| - | 20180014 | 11.10.2018 | PD-SUP-MD | PD-SUP-MD | neue Zeichnung | |
| Index | ECO no. | Date | Editor | Checked | new drawing | |
| Scale | 1:2 | | | Date | Name | MODEL: 2027299 DRW: 2027300 |
| Material | | | | Created | 11.10.2018 | PD-SUP-MD |
| | | | | Checked | 11.10.2018 | PD-SUP-MD |
| | | | | Norm | - | - |
| | | | | All dimensions are in mm | | |
| Surface | | | | Unspecified tolerance | | Doc.-No. 2027300 |
| | | | | | | Page 1 |
| | | | | | | of 1 |

PILZ

1

2

3

4

1

1