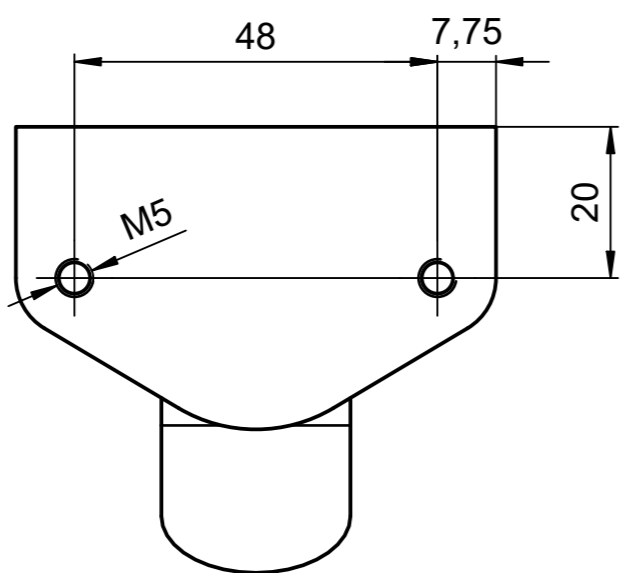
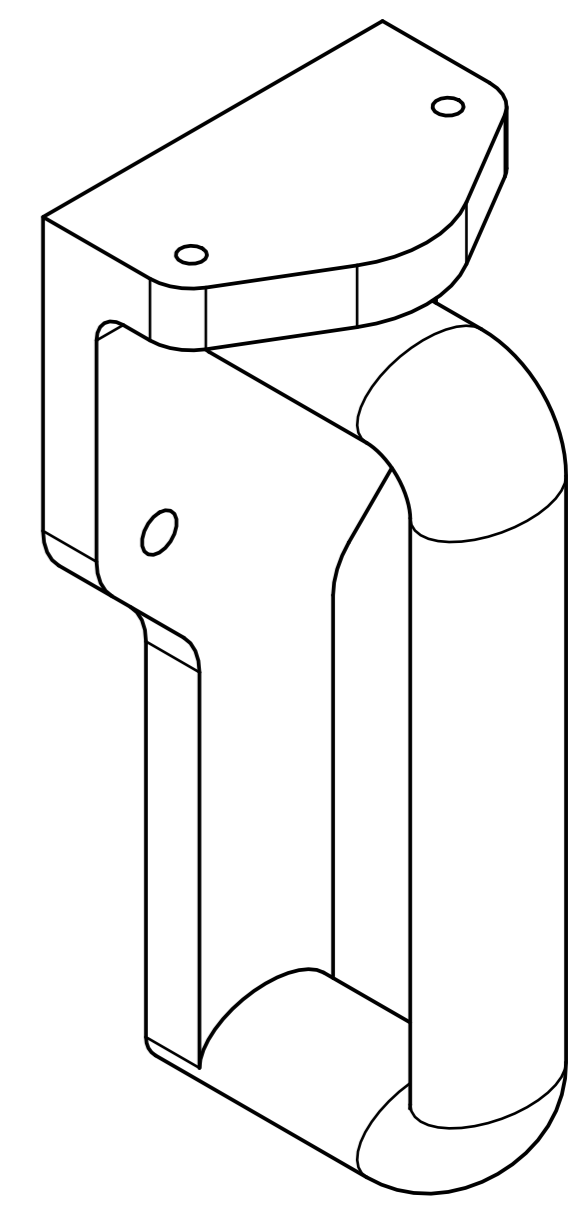
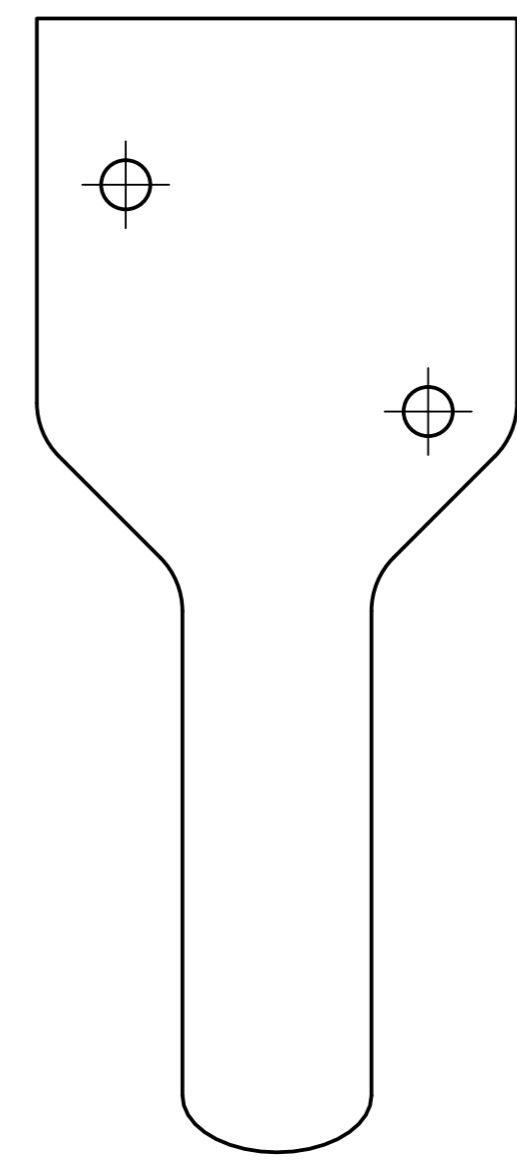
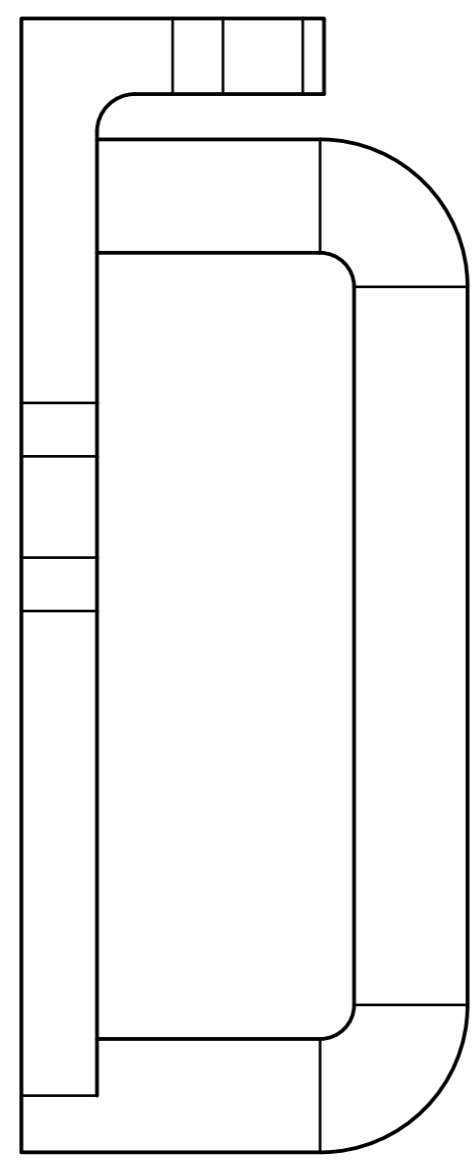
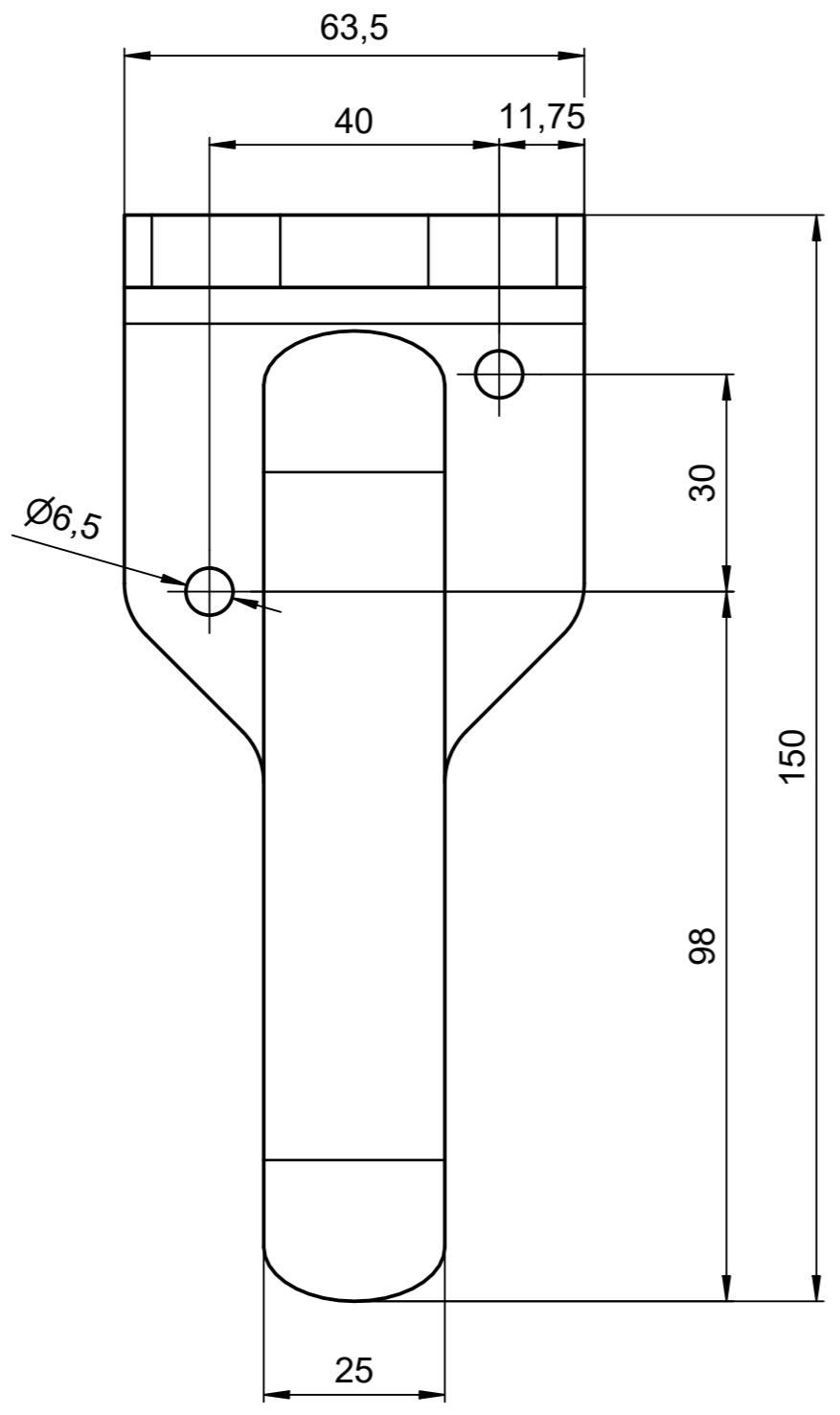
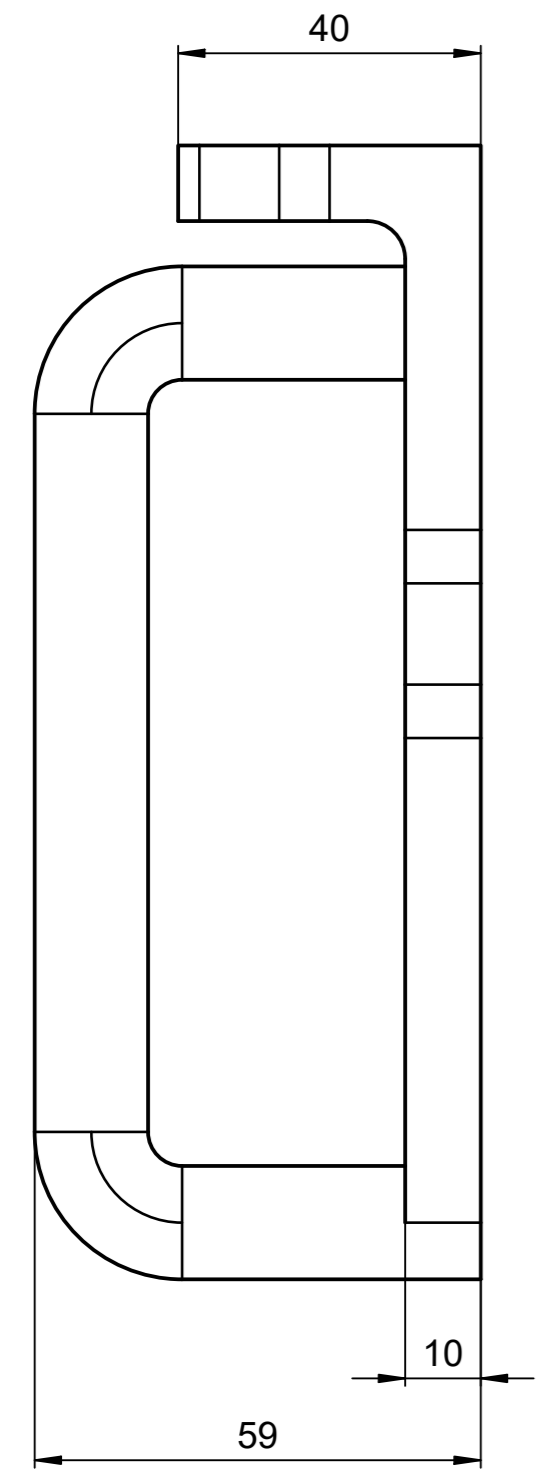
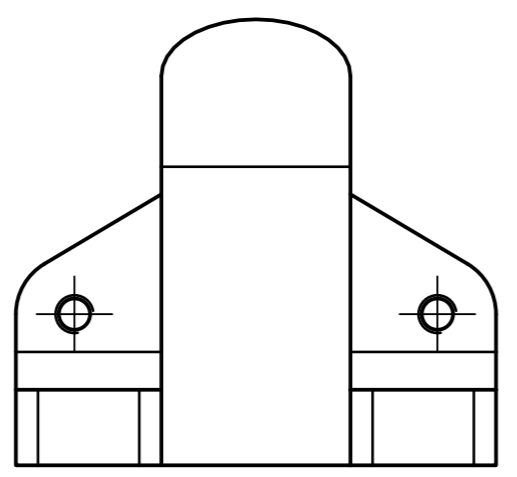


1 2 3 4 5 6 7 8

A  
B  
C  
D  
E  
F



Observe protection note to DIN34	C	H-2736	16.12.2019	ES-PE	ES-PE	-		
	Index	ECO no.	Date	Editor	Checked	-		
	Scale	1 : 1						
	Material							
	Surface							
	All dimensions are in mm						MODEL: H305181	DRW: 2024396
	Unspecified tolerance						Doc.-No. 2024396	Page 1
						Mat.-No. -	of 1	

