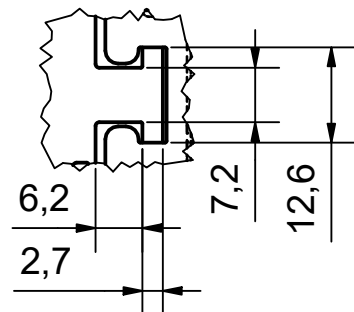
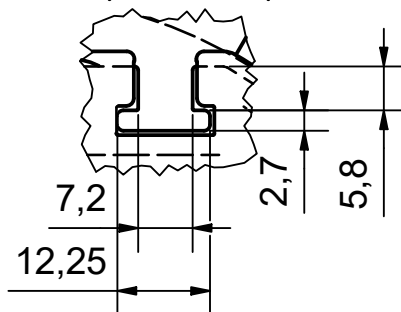


Z (1:1)



Y (1:1)



Gerätelängen / device length		
Variation	L1 [mm]	L2 [mm]
PSEN oppl protective column-060	608	624
PSEN oppl protective column-090	908	924
PSEN oppl protective column-120	1208	1224
PSEN oppl protective column-165	1658	1674
PSEN oppl protective column-195	1958	1974

A	H-2687	03.07.2019	ES-OES	ES-OES	-
Index	ECO no.	Date	Editor	Checked	-
Scale	1:3		Date	Name	MODEL: 2028338
Material	-	-	Created	02.07.2019	ES-OES
Surface	-	-	Checked	02.07.2019	ES-OES
			Norm	-	-
			All dimensions are in mm		
			Unspecified tolerance		Doc.-No. 2028338
					Page 1
					Mat.-No. -
					of 1

PILZ

Observe protection note to DIN34