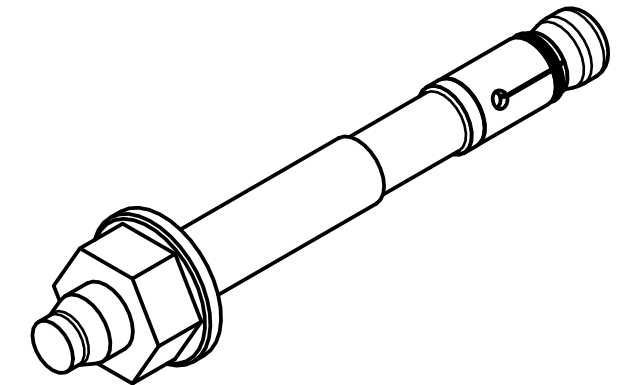
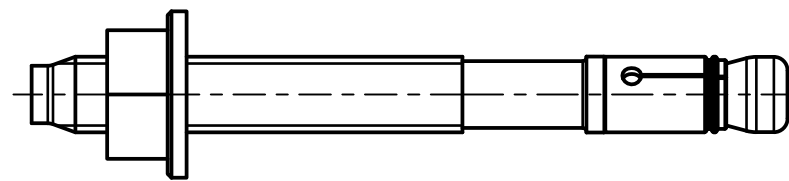
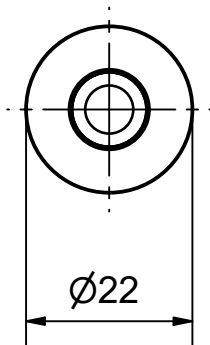


Variante kleine Unterlagscheibe: Muss nur verwendet werden, wenn Schutzsäule ohne Standfuss montiert.
 Variant small washer: Only needed if mirror column is mounted without adjustable base unit.



Observe protection note to DIN34	C	H-2936	02.05.2019	ES-OES	ES-OES		
	Index	ECO no.	Date	Editor	Checked		
	Scale	1 : 1			Date	Name	MODEL: H305632 DRW: 2026425
	Material			Created	13.06.2018	ES-OES	Internet Dokument internet document
				Checked	14.05.2019	ES-OES	
				Norm	-	-	
				All dimensions are in mm			screw_set_mirror_column_PSENoPlI
Surface			Unspecified tolerance			Doc.-No.	2026425 Page 1
						Mat.-No.	- of 1

