

▶▶▶ PROFIBUS Protocol Communication

The PROFIBUS plug-in module expands the communication capabilities of our select devices by seamlessly integrating with PROFIBUS DP protocol networks.

Red Lion's CMPB module provides easy integration of select devices with PROFIBUS Decentralized Periphery (DP) protocol networks, allowing translation to more than 300 industrial protocols. Configure the CMPB module using Red Lion's Crimson® software, which makes setup simple via an intuitive graphical user interface with drag-and-drop functionality.



APPLICATIONS

- > Automotive
- > Food & Beverage
- > Factory Automation
- > OEM Machine Builders
- > Water/Wastewater

PRODUCT HIGHLIGHTS

- > Seamless PROFIBUS DP network integration
- > Automatic baud rate detection
- > Communicate with over 300 industrial protocols

FEATURES & BENEFITS

- > PROFIBUS DP protocol conversion
 - Easily integrates select Red Lion devices into PROFIBUS DP protocol networks
 - 9-pin serial connector for easy installation
 - Automatic baud rate detection from 9.6 Kbaud to 12 Mbaud
 - Converts between PROFIBUS and more than 300 industrial protocols
- > All-in-one solution
 - Removes need for external devices and communication gateways
 - Cost-effectively saves space and time
- > -10 to 50 °C operating temperature
 - Reliably works in harsh environments
- > Powered from host device
 - Simplifies deployment by eliminating external power
- > Easily Programmed
 - Seamless configuration using Red Lion's Crimson desktop software

▶▶▶ PROFIBUS Protocol Communication Module Specifications

POWER

CMPB Max Power: 2.6 W (supplied by host device)

COMMUNICATION PROPERTIES

PROFIBUS Protocol Port: PROFIBUS DP per EN 50 170
Baud Rates: 9.6 Kbaud to 12 Mbaud - auto detection
Station Address: programmable range from 1 to 125
Isolation from CR3000 HMI Host 500 Vrms VDC for 1 minute
Output Power: +5 VDC @ 90 mA max. on the D-Sub connector pins 5 (GND) and 6 (+5 V)

CERTIFICATIONS AND COMPLIANCES

Product Safety:
UL Safety - Class I, Division 2, Groups A, B, C, D, Class II, Division 2, Groups F and G, Class III Hazardous Locations
CE Approved:
EN 61326-1 for Industrial Locations
IEC/EN 61010-1
RoHS Compliant

ENVIRONMENTAL

Operating Temperature Range: -10 to 50 °C
Storage Temperature Range: -40 to 85 °C
Operating and Storage Humidity: 85 % max relative humidity, non-condensing, from 0 to 50 °C
Altitude: Up to 2000 meters

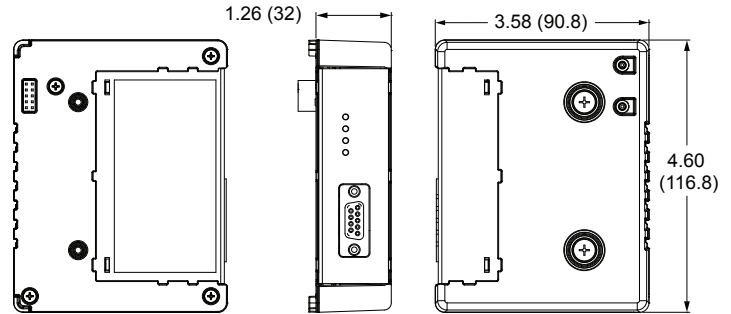
COMPATIBLE HOST DEVICES

CR3000 HMIs
DA30D High Performance Data Station

ORDERING GUIDE

PART NUMBER	DESCRIPTION
CRM000CMPBDP0000	Communications Module, PROFIBUS Protocol Interface

DIMENSIONS In inches (mm)



www.redlion.net

Connect. Monitor. Control.

Americas
sales@redlion.net

Asia-Pacific
asia@redlion.net

**Europe
Middle East
Africa**
europe@redlion.net

+1 (717) 767-6511

As the global experts in communication, monitoring and control for industrial automation and networking, Red Lion has been delivering innovative solutions for over forty years. Our automation, Ethernet and cellular M2M technology enables companies worldwide to gain real-time data visibility that drives productivity. Product brands include Red Lion, N-Tron and Sixnet. With headquarters in York, Pennsylvania, the company has offices across the Americas, Asia-Pacific and Europe. Red Lion is part of Spectris plc, the productivity-enhancing instrumentation and controls company. For more information, please visit www.redlion.net.

ADLD0481 110718 ©2018 Red Lion Controls, Inc. All rights reserved. Red Lion, the Red Lion logo, N-Tron and Sixnet are registered trademarks of Red Lion Controls, Inc. All other company and product names are trademarks of their respective owners.