

FlexEdge™

DA 8 Relay Output Module



▲ FLEXEDGE™ Intelligent Edge Automation Platform

ONE PLATFORM. MILLIONS OF CONFIGURATIONS. LIMITLESS POTENTIAL.

- ▲ Adds output capability to the DA70
- ▲ Fully isolated design provides reliable operation
- ▲ 8 Independent Form C Relay Outputs
- ▲ Offers complete isolation; power and core
- ▲ 3A Maximum Current per relay
- ▲ Configured using Crimson® software (version 3.2 or later)



▲ Ordering Guide

MAIN UNIT

PART NUMBER	DESCRIPTION
DAM00108R0000000	DA 8 Channel Form C Relay Output Module

▲ DA 8 Relay Output Module Specifications

▲ Specifications

Power Requirements

Power is supplied by the DA host device.
Max Power: 2.8 W

LEDs

One LED indicator for each relay and one status LED.

Memory

Non-volatile memory retains all programmable parameters.

Form C Relay Outputs

Eight (8) per module

Contact Ratings:

Per Relay: 0.4 Amps @ 30 VDC/125 VAC at 75 °C
3.0 Amps @ 30 VDC/125 VAC at 65 °C

Life Expectancy: 100,000 cycles at max. load rating.
(Decreasing load, increasing cycle time, and use of surge suppression such as RC snubbers increases life expectancy.)

Isolation Level

500 Vrms @ 50/60 Hz for 1 minute between the following:
Outputs
Host Controller

Communications

Provided by the DA70 Controller

Environmental

Operating Temperature Range: -40 to 75 °C
Storage Temperature Range: -40 to 80 °C
Vibration to IEC 60068-2-6: Operational 5-500 Hz, 2 g
Shock to IEC 60068-2-27: Operational 10 g
Operating and Storage Humidity: 0 to 95% max. RH
noncondensing
Altitude: Up to 2000 meters
Installation Category II, Pollution Degree 2 as defined in IEC/EN 60664-1.

Certification & Compliance

CE Approved
EN 61326-1 Immunity to Industrial Locations
Emission CISPR 11 Class A
IEC/EN 61010-1
RoHS Compliant
UL Hazardous: File # E317425
Rugged IP30 enclosure

Connections

Removable wire clamp screw terminal blocks
Wire Strip Length: 0.3" (7.5 mm)
Wire Gauge Capacity: 14 to 24 AWG (2.08 to 0.20 mm²) copper wire only
Torque: 2 inch-lbs (0.23 N-m)

Construction

Polycarbonate enclosure with IP30 rating.
Weight: 13.8 oz (391 g)

Mounting

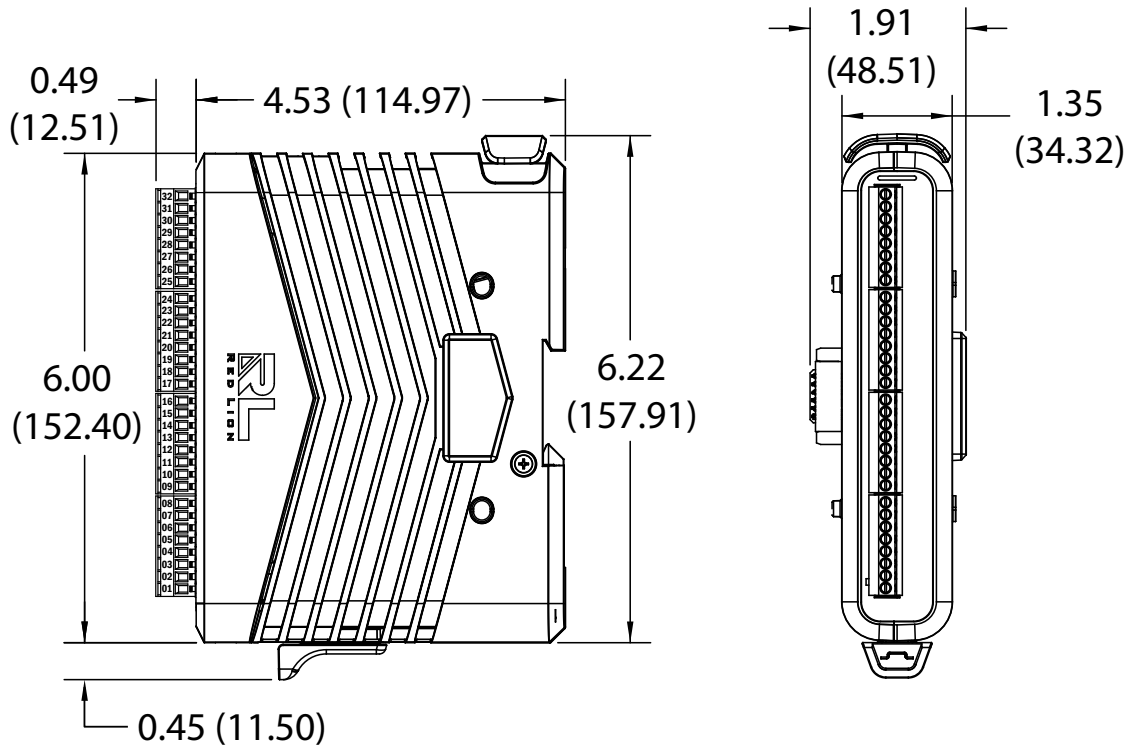
DIN Rail: Attaches to standard "T" profile DIN rail according to EN50022 - 35 x 7.5 and 35 x 15

Warranty

3 years on design and manufacturing defects.
Specifications are subject to change.
Visit www.redlion.net for more information.

▲ DA 8 Relay Output Module Dimensions

▲ Dimensions In inches (mm)



Red Lion has been delivering innovative solutions to global markets since 1972 through communication, monitoring and control for industrial automation and networking - enabling companies worldwide to gain real-time data visibility that drives productivity. Red Lion is part of Spectris plc, the productivity enhancing instrumentation and controls company.

© 2020 Red Lion Controls, Inc. All rights reserved. Red Lion and the Red Lion logo, are registered trademarks of Red Lion Controls, Inc. All other company and product names are trademarks of their respective owners.

www.redlion.net
[contact us](#)