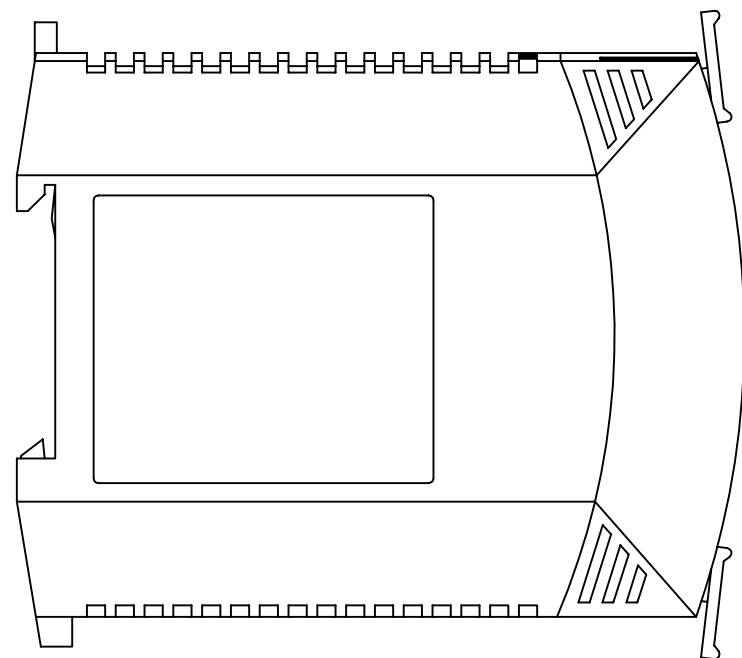
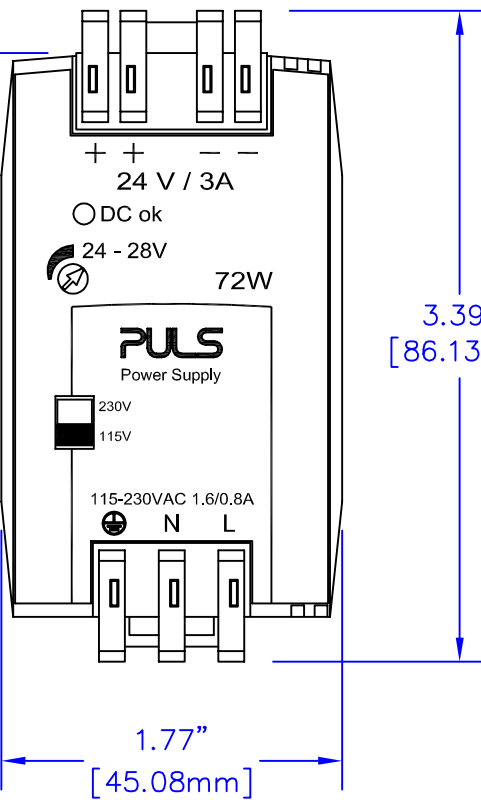


3.78"
[96.01mm]

1.65"
[41.91mm]

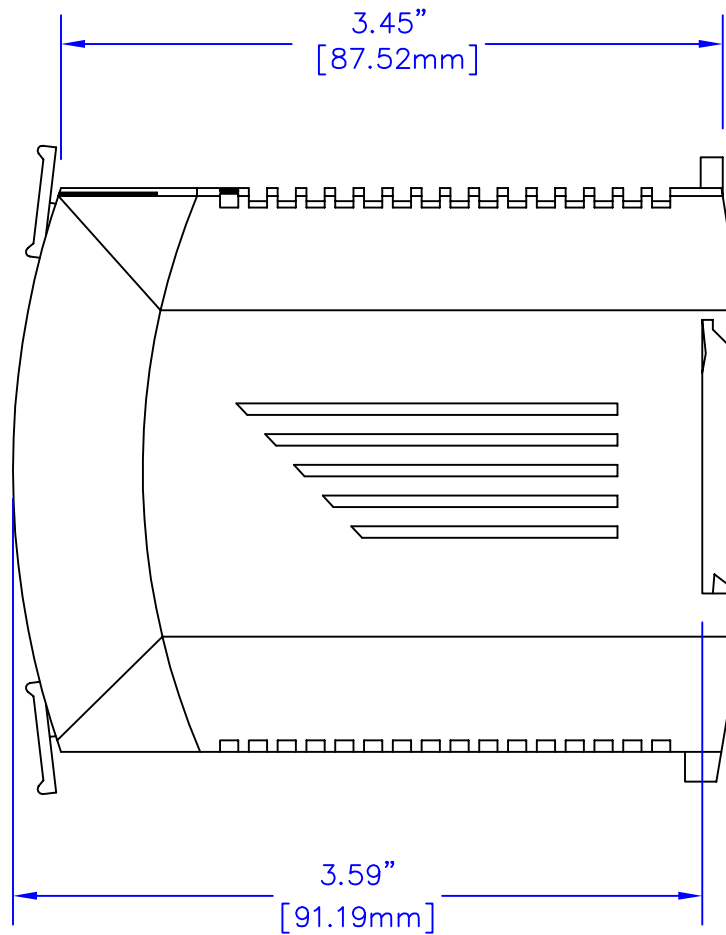


2.94"
[74.61mm]



3.39"
[86.13mm]

1.77"
[45.08mm]



3.45"
[87.52mm]

3.59"
[91.19mm]

NTPS-24-3

N-TRON
THE INDUSTRIAL NETWORK COMPANY

820 S. University Blvd, Suite 4E - Mobile, Alabama 36609-7862
Phone: 251-342-2164 - www.n-tron.com - Fax: 251-342-6353

Date: 08-03-2009
File Name: NTPS-24-3.dwg

Drawn By: G.R.S.
Scale: 1" = 1"

Note: The dimensions shown on this drawing are intended for general reference only. Three conductor power cord is not included.