

PGUSB485 - USB/RS485 Communication Interface Installation Guide

- Please read Installing PGUSB Driver before attempting installation.
- The content of this installation guide and the driver file may be revised without prior notice. Please consult our website for the latest version.



GENERAL DESCRIPTION

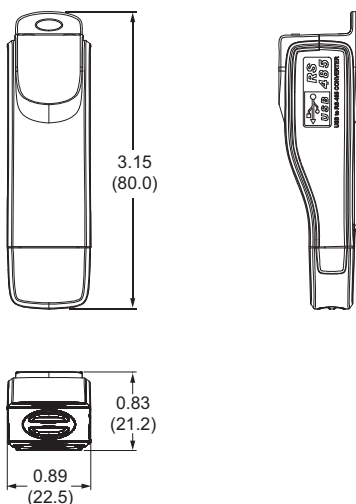
The PGUSB485 is a convenient RS485-to-USB converter, that does not require an external power-supply and does not involve a complex setup process. The converter supports RS-485 Half-Duplex transmission, with baud rates from 75 to 115.2 kbps, and auto switching direction of data transmission.

In addition, it adopts RS-485 in an RJ-45 connector and provides for convenient wiring by way of an RJ12 to pigtail cable. Small size, handy use of plug-and-play and hot-swap capability help to provide a convenient USB to 485 conversion solution

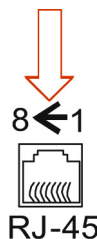
SPECIFICATIONS

1. **POWER SUPPLY:** Power derived from USB. No external power is needed.
2. **POWER CONSUMPTION:** 0.4 W
3. **ISOLATION VOLTAGE:** 3000 VDC
4. **BAUD RATE:** Supports 75, 150, 300, 600, 1200, 2400, 4800, 9600, 19200, 38400, 57600, 115200 bps
5. **RS485 CONNECTOR:** RJ-45
6. **USB CONNECTOR:** A type (plug)
7. **COMPATIBILITY:** Full Compliance with USB V2.0 specification
8. **MAX. CABLE LENGTH** (Between PC and PGUSB485): 328.08 ft (100 m)
9. **CABLE:** 6.5 ft (2 m), 2-wire RJ12 pigtail end.
10. **CERTIFICATIONS AND COMPLIANCES:**
Emissions and Immunity to EN 61800-3:2004
11. **WEIGHT:** 4.5 oz (127.57 g)

DIMENSIONS In inches (mm)



RJ-45



CONNECTIONS

| PGUSB485 RJ45 | 4 | 5 |
|----------------|------|-------|
| SUPPLIED CABLE | RED | GREEN |
| PXU | D+ | D- |
| Other RLC | B(-) | A(+) |

LED DISPLAY

| | |
|-----------------|----------------------|
| Steady Green | Power is ON |
| Blinking Orange | Data is Transmitting |

INSTALLING PGUSB485 DRIVER

Note: Do not connect the PGUSB485 to a PC at this time.

1. Download and uncompress the file "PGUSB485Driver.zip" from this web address: http://files.redlion.net/filedepot_download/1294/6847
2. For 32 bit operations systems, locate and run the file "CP210xVCPInstaller_x86.exe." For 64 bit operating systems, locate and run the file "CP210xVCPInstaller_x64.exe."
3. Follow the on screen driver installation instructions.
4. Driver installation is complete.

INSTALLING PGUSB485 HARDWARE

1. Complete installation of the PGUSB485 driver.
2. Connect the PGUSB485 to a USB port on the PC.
The PC will detect new hardware and provide the necessary instructions for installing the new hardware.
For setup of interfacing software (Crimson 2), note the COM Port number to which the new hardware is assigned. If the COM Port number is not noted during the installation process, it can be found by going to Device Manager, Ports and then selecting "CP210x USB to UART Bridge Controller."
3. Hardware installation is complete.

ORDERING INFORMATION

| MODEL NO. | DESCRIPTION | PART NUMBER |
|-----------|---------------------------------|-------------|
| PGUSB | USB to 485 Converter with Cable | PGUSB485 |

LIMITED WARRANTY

(a) Red Lion Controls Inc., (the "Company") warrants that all Products shall be free from defects in material and workmanship under normal use for the period of time provided in "Statement of Warranty Periods" (available at www.redlion.net) current at the time of shipment of the Products (the "Warranty Period"). **EXCEPT FOR THE ABOVE- STATED WARRANTY, COMPANY MAKES NO WARRANTY WHATSOEVER WITH RESPECT TO THE PRODUCTS, INCLUDING ANY (A) WARRANTY OF MERCHANTABILITY; (B) WARRANTY OF FITNESS FOR A PARTICULAR PURPOSE; OR (C) WARRANTY AGAINST INFRINGEMENT OF INTELLECTUAL PROPERTY RIGHTS OF A THIRD PARTY; WHETHER EXPRESS OR IMPLIED BY LAW, COURSE OF DEALING, COURSE OF PERFORMANCE, USAGE OF TRADE OR OTHERWISE.** Customer shall be responsible for determining that a Product is suitable for Customer's use and that such use complies with any applicable local, state or federal law.

(b) The Company shall not be liable for a breach of the warranty set forth in paragraph (a) if (i) the defect is a result of Customer's failure to store, install, commission or maintain the Product according to specifications; (ii) Customer alters or repairs such Product without the prior written consent of Company.

(c) Subject to paragraph (b), with respect to any such Product during the Warranty Period, Company shall, in its sole discretion, either (i) repair or replace the Product; or (ii) credit or refund the price of Product provided that, if Company so requests, Customer shall, at Company's expense, return such Product to Company.

(d) **THE REMEDIES SET FORTH IN PARAGRAPH (c) SHALL BE THE CUSTOMER'S SOLE AND EXCLUSIVE REMEDY AND COMPANY'S ENTIRE LIABILITY FOR ANY BREACH OF THE LIMITED WARRANTY SET FORTH IN PARAGRAPH (a).**