

PM-50



Analog Input Graphical Panel Meters

The PM-50 meters are designed to increase operator productivity, expose critical plant floor data, and aid in project scheduling and process improvements. Easily relatable intuitive graphical display. Secondary displays provide even more data. The meters feature on-board Wi-Fi, RS-485/Modbus, and optional Ethernet or RS-232.



Graphical Display

- Full color touchscreen
- Intuitive screens
- Multiple displays

Simple Programming

- Start-up Wizard
- Programming App
- Web server

Alarm Notification

- Display color change
- Push messaging
- Focuses attention

Data Access

- Wi-Fi
- Modbus/RS485
- Ethernet & RS232

Modular Construction

- Plug-in play modules
- Upgradeable firmware
- Outputs, power & comms

Easy Field Replacement

- Use existing wiring
- 4.3" - 1/8 DIN products
- 3.5" - 1/16 DIN products

Smart Device Capabilities

- Functionality
- Programming
- Connectivity

PM-50 Ordering Guide and Specifications

Ordering Guide

Main Unit

Part Number	Description
PM500A0400800F00	4.3" Analog Input Graphical Panel Meter
PM500A0301600F00	3.5" Analog Input Graphical Panel Meter

Accessories

Part Number	Description
PMM000CM23200000	RS232 Serial Communications Module
PMM000CMEN000000	Ethernet Communications Module
PMM000IOAN000000	Analog Output Module
PMM000IORL200000	Dual Setpoint Relay Output Module
PMM000IORL400000	Quad Setpoint Relay Output Module
PMM000PWACP000000	AC to DC Power Module
PMA000MK00800000	Conversion Panel 92 mm x 75 mm to 1/8 DIN
PMA000MK01600000	Conversion Panel 68 mm x 68 mm to 1/16 DIN
PMA000SP00800000	4.3" Protective Screen Overlay
PMA000SP01600000	3.5" Protective Screen Overlay
SD032G00	MicroSD Card
PMA000CP00800000	Replacement Rear Cover/Bus Board with Spacer Module (4.3" model only)
PMA000MKLP000000	Replacement Module Lock Pins

Meter Specifications

Power Requirements

Model	4.3-Inch	3.5-Inch
Input Voltage (Volts)	10-30 VDC	10-30 VDC
Max Power PM-50 only	4.6 W	4.6 W
Max Power PM-50, with modules	12 W	12 W

Host Isolation: 500 Vrms for 1 min. to all inputs and outputs.

Display

4.3" or 3.5" Color TFT display with resistive analog touch screen

Size	4.3-Inch	3.5-Inch
Type	TFT	TFT
Colors	262,144	262,144
Pixels	480 X 272	320 X 240
Brightness	420 cd/m ²	540 cd/m ²
LED Backlight Life*	30,000 HR TYP.	30,000 HR TYP.

* Lifetime at room temperature (25°C)

Update Rates

A/D conversion rate: programmable 5 to 200 readings/sec.

Input Capabilities

Current Input: $\pm 200 \mu\text{A DC}$, $\pm 2 \text{ mA DC}$, $\pm 20 \text{ mA DC}$, $\pm 200 \text{ mA DC}$, $\pm 2 \text{ A DC}$

Voltage Input: $\pm 200 \text{ mV DC}$, $\pm 2.0 \text{ V DC}$, $\pm 20 \text{ V DC}$, $\pm 60 \text{ V DC}$

Thermocouple Input: T, E, J, K, R, S, B, N, C (W5/W26)

RTD Input: 100 Ω Pt alpha = .00385, 100 Ω Pt alpha = .00392,

120 Ω Nickel alpha = .00672, 10 Ω Copper alpha = .00427

Resistance Input: 100 Ω , 1000 Ω , 10 K Ω

Excitation Power

Transmitter Power: +24 VDC, $\pm 5\%$ @ 50 mA max.

Reference Voltage: + 2 VDC, $\pm 2\%$

Reference Current: 1.05 mADC, $\pm 2\%$

User Inputs

Two programmable user inputs

Totalizer

Time Base: second, minute, hour, or day

Batch: Can accumulate (gate) input display from a user input

Time Accuracy: 0.01% typical

Decimal Point: 0 to 0.0000

Scale Factor: 0.001 to 65,000

Low Signal Cut-out: -199,999 to 999,999

Total: Up to 9 digits

Custom Linearization

Data Point Pairs: Selectable from 2 to 10

Display Range: -199,999 to 999,999

Decimal Point: 0 to 0.0000

Memory

Nonvolatile memory retains all programmable parameters and display values

Memory Card: microSD slot accepts up to 32 GB capacity cards in FAT16/FAT32 format

RS485 Serial Port

Uses Modbus protocol (RTU and ASCII)

Baud Rate: Up to 115,200

Data Format: 7/8 bit; odd, even, or no parity; 1 or 2 stop bits

Isolation: 500 Vrms to sensor, user power and digital inputs. Not isolated to solid state outputs

PM-50 Specifications Cont. and Module Specifications

Wi-Fi Capabilities

Wi-Fi: Power output up to 20.5 dBm
Frequency:

Part Number	Description	Frequencies
Wi-Fi	1-13	2412-2484 MHz

Note: Channel/frequency limitation is enforced based on configured country/region code.
Wi-Fi Compliance: TCP/IP; 802.11 b/g/n

On-Board Dual SSR Outputs

Both outputs must be used either in SINKING or in SOURCING mode together

Sinking Mode:

Type: Switched DC, N-channel open drain MOSFET
Max Sink Current: 100 mA
 V_{DS} ON: 0.3 V @ 100 mA
 V_{DS} MAX: 30 VDC
Offstate Leakage Current: 0.5 mA max.

Sourcing Mode:

Type: Switched DC, P-channel open source MOSFET
Max Source Current: 100 mA
 V_{DS} ON: 0.3 V @ 100 mA
 V_{DS} MAX: 30 VDC
Offstate Leakage Current: 0.5 mA max.

Environmental

Operating Temperature Range: -10 to 55 °C
Storage Temperature Range: -20 to 60 °C
Operating and Storage Humidity: 0 to 85% max. RH non-condensing
Vibration to IEC 68-2-6: Operational 5-500 Hz, 2 g
Shock to IEC 68-2-27: Operational 20 g (10 g relay)

Altitude: Up to 2000 meters
Installation Category II, Pollution Degree 2 as defined in IEC/EN 60664-1

Certifications & Compliances

CE Approved
EN 61326-1 Immunity to Industrial Locations
Emission CISPR 11 Class A
IEC/EN 61010-1
RoHS Compliant
FCC ID #: 2AC7Z-ESP32WROOM32U
UL Hazardous: File # E317425
Type 4X Indoor/IP65 Enclosure rating (Face only) for all models
IP20 Enclosure rating (Rear of unit)

Connections

High compression spring-clamp terminal block

Construction

This unit is rated NEMA 4X/IP65 for indoor use only. IP20 Touch safe. One piece bezel/case. Flame resistant. Panel gasket, module locks, and mounting panel latch included

Weight

4.3: 11.3 oz (321 g)
3.5: 7.9 oz (224 g)

Warranty

2 years on design and manufacturing defects
Specifications are subject to change
Visit www.redlion.net for more information

Module Specifications

Note: All modules are field installable

RS232 Module

Removable terminal block
Hardware status LEDs

Ethernet Module

10/100 Ethernet module
Auto MDI/MDI-X
Modbus over TCP/IP

Analog Output Module

Retransmitted analog output
0 (4) to 20 mA or 0 to 10 VDC, ± 10 VDC
Removable terminal block

Dual Relay Module

Dual Form C 5 Amp relays
Up to 250 VAC or 30 VDC
Removable terminal block

Quad Relay Module

Up to 250 VAC or 30 VDC
Removable terminal block
Quad Form A 2 Amp relays

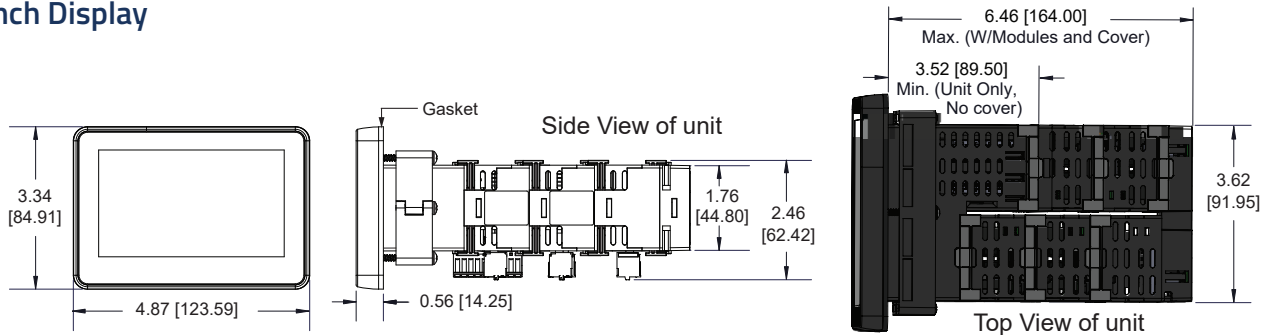
AC to DC Power Module

Input: 85 VAC to 240 VAC
Supports 4.3" and 3.5" PM-50 meters
Removable terminal block

PM-50 Meter and Module Dimensions

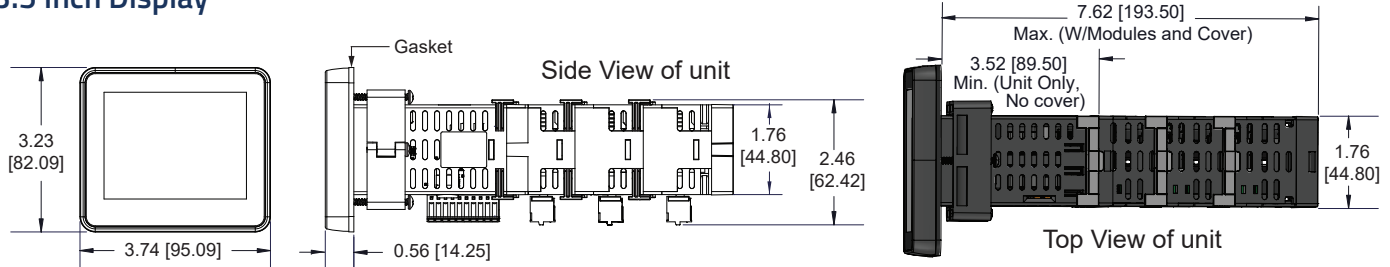
Dimensions In inches [mm]

4.3 Inch Display



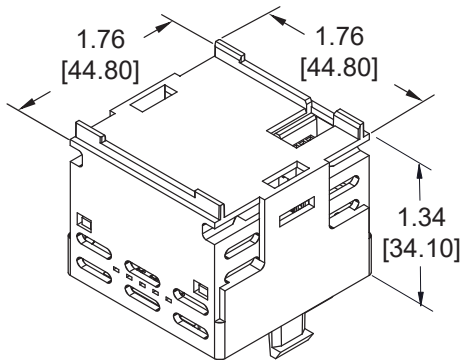
Dimensions In inches [mm]

3.5 Inch Display

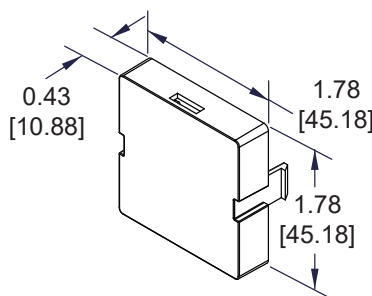


Dimensions In inches [mm]

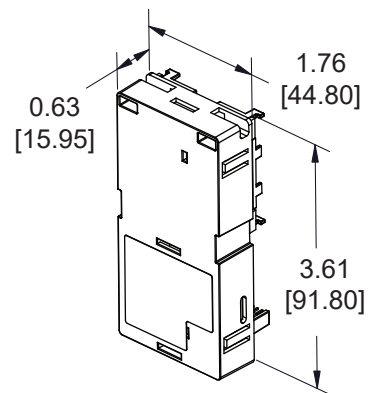
Module



Module Rear Cover



Module Bus Board



www.redlion.net
contact us

Red Lion is focused on being THE Industrial Data Company™. We empower industrial organizations around the world to unlock the value of data by developing and manufacturing innovative products and solutions to access, connect and visualize their information. Red Lion's global manufacturing and support facilities serve customers in major industry segments with solutions for cloud connectivity, edge intelligence, industrial Ethernet switches, panel meters and operator panels. Red Lion makes it easy to gain real-time data visibility that drives productivity. Red Lion is part of Spectris plc, the experts in providing insight through precision measurement.

© 2023 Red Lion Controls, Inc. All Rights Reserved. The terms Red Lion, the Red Lion logo, and THE Industrial Data Company are trademarks or registered trademarks of Red Lion Controls. All other marks are the property of their respective owners.