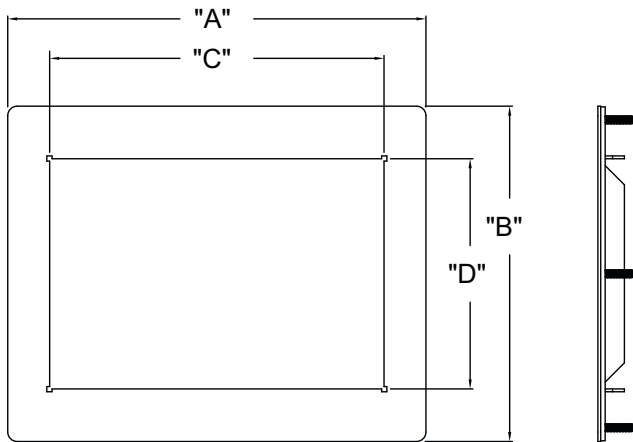


Model CRA000AD - G3 to CR1/CR3 Adapter Panel Bulletin

GENERAL DESCRIPTION

The Model CRA000AD adapter panels provide the necessary hardware to install a CR1000 or CR3000 into an existing cutout where a G3 unit was installed. These panels are coated with a durable black finish that matches the color used on the CR1 and CR3 series HMI. Included in the kit are the necessary nuts, washers and panel gasket required to meet any NEMA 4X/IP66 (Face only) application.

ADAPTER PANEL DIMENSIONS In inches (mm)



EXISTING G3	REPLACEMENT CR1/CR3	DIM "A"	DIM "B"	DIM "C"	DIM "D"
G306	CRx00007	8.83 (224.3)	7.05 (179.1)	7.06 (179.3)	4.86 (123.4)
G308	CRx00007	10.32 (262.1)	8.18 (207.8)	7.06 (179.3)	4.86 (123.4)
G310	CRx00010	12.83 (325.9)	9.50 (241.3)	10.20 (262.1)	7.93 (201.4)
G315	CRx00015	16.00 (406.4)	13.00 (330.2)	13.39 (262.1)	10.46 (265.7)

MOUNTING PROCEDURE

1. Remove existing G3 HMI from panel, including old panel gasket.
2. Install new G3 to CR1/CR3 adapter panel into existing G3 cutout using the supplied new panel gasket. For the CRA000AD1010 only, also install the adapter strips as shown in the Figure 1.

3. Install supplied nuts and washers onto panel adapter and tighten evenly for uniform gasket compression.

Note: Tightening the nuts beyond a maximum of 17 inch-pounds (1.92 N-m) may cause damage to the front panel.

4. Install replacement CR1/CR3 unit into adapter panel using the mounting clamps supplied with the CR1/CR3 unit. DO NOT use the panel stiffener plate supplied with the CR1/CR3 units. It is not needed (nor will it fit) when the panel adapter is used. Tighten the mounting clamps to 4.0 pound-force inch (64 ounce-force inch) (0.45 Nm) evenly for uniform gasket compression.

CAUTION: DO NOT OVERTIGHTEN THE CLAMPS.

Figure 1: Adapter Strip Installation for CRA000AD1010

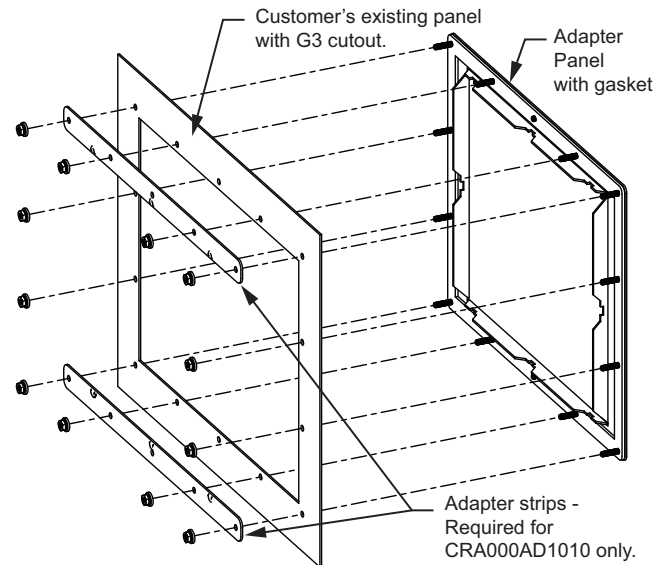
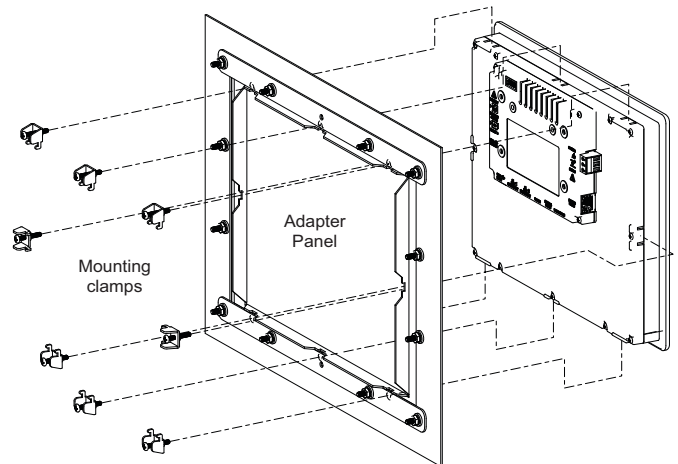


Figure 2: CR1/CR3 Unit Installation



ORDERING INFORMATION

MODEL NO.	DESCRIPTION	PART NUMBER
CRA000AD	Adapter Panel G306 To CRx00007	CRA000 AD060 70000
	Adapter Panel G308 To CRx00007	CRA000 AD080 70000
	Adapter Panel G310 To CRx00010	CRA000 AD101 00000
G3AD	Adapter Panel G315 To CRx00015	G3AD1515

LIMITED WARRANTY

(a) Red Lion Controls Inc., (the "Company") warrants that all Products shall be free from defects in material and workmanship under normal use for the period of time provided in "Statement of Warranty Periods" (available at www.redlion.net) current at the time of shipment of the Products (the "Warranty Period"). **EXCEPT FOR THE ABOVE- STATED WARRANTY, COMPANY MAKES NO WARRANTY WHATSOEVER WITH RESPECT TO THE PRODUCTS, INCLUDING ANY (A) WARRANTY OF MERCHANTABILITY; (B) WARRANTY OF FITNESS FOR A PARTICULAR PURPOSE; OR (C) WARRANTY AGAINST INFRINGEMENT OF INTELLECTUAL PROPERTY RIGHTS OF A THIRD PARTY; WHETHER EXPRESS OR IMPLIED BY LAW, COURSE OF DEALING, COURSE OF PERFORMANCE, USAGE OF TRADE OR OTHERWISE.** Customer shall be responsible for determining that a Product is suitable for Customer's use and that such use complies with any applicable local, state or federal law.

(b) The Company shall not be liable for a breach of the warranty set forth in paragraph (a) if (i) the defect is a result of Customer's failure to store, install, commission or maintain the Product according to specifications; (ii) Customer alters or repairs such Product without the prior written consent of Company.

(c) Subject to paragraph (b), with respect to any such Product during the Warranty Period, Company shall, in its sole discretion, either (i) repair or replace the Product; or (ii) credit or refund the price of Product provided that, if Company so requests, Customer shall, at Company's expense, return such Product to Company.

(d) THE REMEDIES SET FORTH IN PARAGRAPH (c) SHALL BE THE CUSTOMER'S SOLE AND EXCLUSIVE REMEDY AND COMPANY'S ENTIRE LIABILITY FOR ANY BREACH OF THE LIMITED WARRANTY SET FORTH IN PARAGRAPH (a).