



ROBOTIQ ADAPTIVE GRIPPER
2-FINGER MODEL – 200

**A SINGLE ROBOT GRIPPER
FOR ALL YOUR PARTS TO
REDUCE TOOLING COST AND
ELIMINATE CHANGEOVERS.**



RUGGED DESIGN

High grip force
Sealed casing

FLEXIBLE

Programmable stroke
Parallel, encompassing and
internal grips

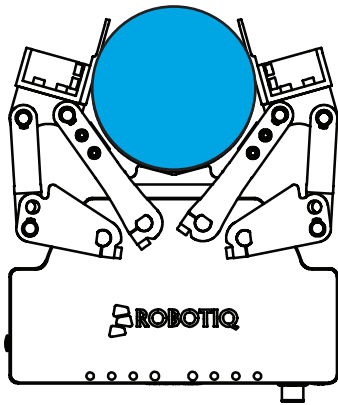
INTELLIGENT CONTROL

Grip detection
Speed and force control

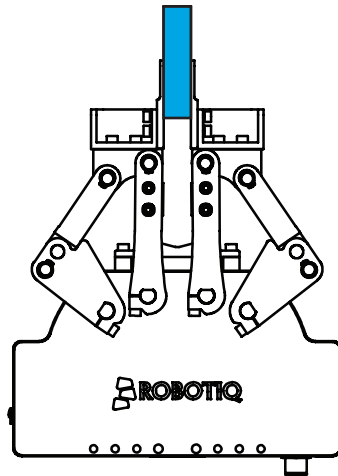


ROBOTIQ ADAPTIVE GRIPPER

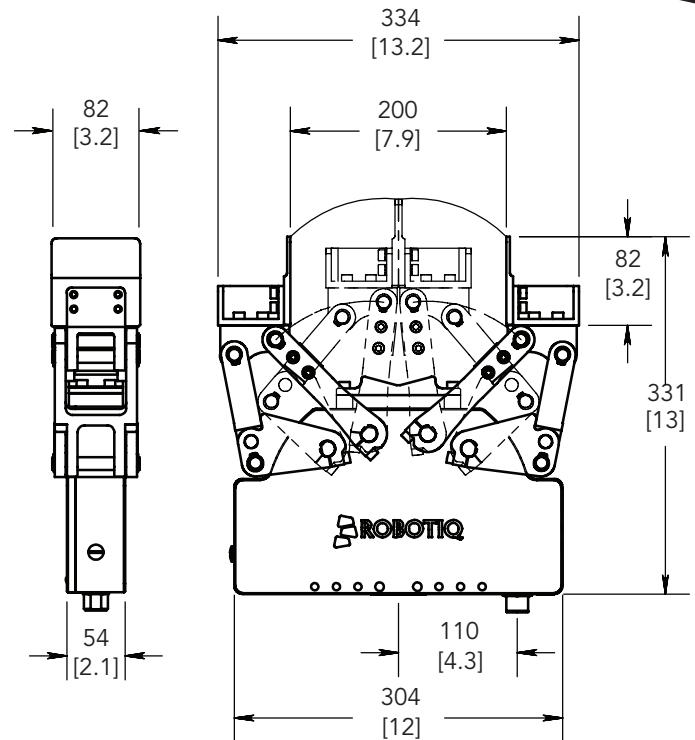
2-FINGER MODEL – 200



ENCOMPASSING GRIP



PARALLEL GRIP



UNITS: mm
[in.]

TECHNICAL DATA

MECHANICAL SPECIFICATIONS

Gripper opening (see figure)	0 to 200 mm	0 to 7.9 in
Object diameter for encompassing	103 to 191 mm	4 to 7.5 in
Partial opening resolution	0.93 mm	0.037 in
Parallel grip repeatability	0.03 mm	0.001 in
Gripper weight	8.9 kg	19.6 lbs
Maximum recommended payload 0.3 friction coefficient between finger and steel part, safety factor of 2	22.9 kg	50.5 lbs
Grip force	150 to 750 N	34 to 169 lbf
Closing speed	18 to 114 mm/s	0.71 to 4.47 in/s
Operating temperature	-10°C to 50°C	14°F to 122°F

ELECTRICAL SPECIFICATIONS

External controller dimension - L x W x H - (DIN rail mountable)	145 mm x 121 mm x 39 mm	5.72 in x 4.77 in x 1.55 in
Nominal supply voltage	24 V	
Quiescent power (minimum power consumption)	5 W	
Peak power (at maximum gripping force)	175 W	
Minimum power supply current	20 A	
High-flex cable available		

CONTROL

Communication protocol options	EtherNet/IP, TCP/IP, DeviceNet, CANopen, EtherCAT, USB
Programmable gripping parameters	Position, speed and force
Status LEDs (on gripper)	Power and error
Status LEDs (on controller)	Power, communication and error
Feedback	Grip detection, gripper position and motor current