

Technical Information

Environmental Ratings	2
IEC 529 Definition of Protection Grades	3
Modification & Drawing Requirements	5

Conditions of Sale

.....	6
-------	---

Type 1 Enclosures

Screw Cover Enclosures	7
Flush Cover for Screw Cover Pull Enclosures.....	9
Telephone Cabinets	10
Single Door & Double Door Transformer Cabinet.....	12
Protective Weather Hood.....	14
Small Hinge Cover Enclosures.....	15
Large Hinge Cover Enclosures.....	16
Extra Large Hinge Cover Enclosures	18
Flangeless Lay-in Wireways	19
Fittings for Wireway Ducts	21

Type 3R Enclosures

Weatherproof Screw Cover Gutter	22
Moisture Proof Gasketed Screw Cover Enclosures	23
Rainproof Screw Cover Enclosures.....	24
Rainproof Lift-off Hinge Cover Enclosures	26
Rainproof Small Single Door Hinge Cover Enclosures	28
Rainproof Large Hinge Cover Enclosures.....	29

Junction Enclosures

Type 12 JIC Screw Cover Enclosures	31
Type 4 Clamp Cover Enclosures	32
Type 12 Clamp Cover Enclosures	33
Type 12 Wiring Troughs with Lift-off Cover	34
Type 4 Continuous Hinge Cover Enclosures	35
Type 12 Continuous Hinge Cover Enclosures	36
Type 12 Large Continuous Hinge Cover Enclosures	37
Type 12 Wiring Troughs Continuous Hinged Cover	38

Pushbutton Enclosures

Type 12 Standard Oil-tight Pushbutton Enclosures	39
Type 12 Extra Deep Oil-tight Pushbutton Enclosures	41
Type 12 Pendant Oil-tight Pushbutton Enclosures	42
Type 12 Sloping Front Oil-tight Pushbutton Enclosures	43
Type 12 Large Continuous Hinge Cover Pushbutton Enclosures	44
Type 12 Slimline Oil-tight Pushbutton Enclosures	45
Type 12 Oil-tight Console	46

Wall Mount Enclosures

Type 4 & 4X Single Door Enclosures.....	47
Type 12 Single Door Enclosures	50
Type 12 Double Door Enclosures.....	53
Type 4, 12 & 13 Single Door Enclosures	55
Type 4, 12 & 13 Double Door Enclosures	58
Type 4, 12 & 13 Flush Mounted Enclosures	59
Type 4, 12 & 13 Slope Top Enclosures.....	60

Floor Mount Enclosures

Type 4 Double Door Enclosures.....	62
Type 12 Double Door Enclosures.....	64

Freestanding Enclosures

Type 4 Single Door Freestanding Enclosures	66
Type 12 Single Door & Single Door Dual Access Enclosures	68
Type 12 Double Door & Double Door Dual Access Enclosures	70
Multi-Door Enclosures with Sub Panels	72

Modular Enclosures

Type 12 Modular Enclosures	94
----------------------------------	----

Disconnect Enclosures

Wall Mount

Type 4 Single Door Disconnect Enclosures	76
Type 12 Single Door Disconnect Enclosures with Handles	78
Type 12 Single Door Disconnect Enclosures without Handles.....	80
Type 12 Allen Bradley 1494F & D Single Door Disconnect Enclosures.....	83

Floor Mount

Type 12 Double Door Disconnect Enclosures	85
---	----

Heavy-Duty Enclosures

Type 12 Free Standing Disconnect Enclosures with Sub Panel	88
--	----

Modular Enclosures

Type 12 Modular Disconnects Enclosures	94
Disconnect Information.....	98

Consoles

Type 12 Single Door & Double Door Consoles	105
Series 1 and Series 9 Consoles	108
Series 14 Consoles	111

Enclosure Accessories

Drip Shield Kits	113
Rack Mounting Angle Kits	113
Floor Stand Kits	114
Door Stop Kits	114
Touch Up Paint	114
Replacement Print Pocket	115
Folding Shelf	115
Louver Skirt Kits	116
Louver Plate Kit	116
Filters for Louver Kits	117
Window Kits	117
Hinged Window Kits	118
Replacement Latches & Clamps	118
Replacement Handle Kits	119
Replacement Handles	119
Custom Handles	119
Custom Latches & Clamps.....	119
Oil Tight Hole Seals	120
Grounding Kits.....	120
Type 1 Small Sub Panels.....	121
Type 1 Large Sub Panels.....	121
Small Sub Panels.....	121
Wall Mount Sub Panels.....	122
Elite Series Sub Panels.....	123
Floor Mount Sub Panels	124
Freestanding Sub Panels.....	124
Freestanding Side Sub Panels	125
Mounting Hardware	126
End Plates.....	126
Adapter Kits for Heavy Duty & Floor Mount Disconnects	126
Economy Swing Panel Kit.....	127
Semi-Adjustable Swing Panel Kit.....	128
Fully Adjustable Swing Panel Kit	129
Heavy Duty Swing Panel Kit	130
Consolet Accessories	132
Cooling Unit Selection Guide	133
Filterfans®	134
Exhaust Filters.....	136
NEMA 3R Filterfan® Rainhoods	137
Heaters - Radiant	138
Thermostats	139

Index

Index.....	141
------------	-----

Color Charts

Color Charts.....	154
-------------------	-----

Technical Information

Environmental Ratings, UL, CSA Cross Reference



Type Designation	National Electrical Manufacturers' Association (NEMA Standard 250)	Underwriters' Laboratories Inc. (UL 50 and UL 508)	Canadian Standards Association (Standard C22.2, Nos. 14, 40, and 94)
1	Enclosures constructed for indoor use to provide a degree of protection to personnel against incidental contact with the enclosed equipment and to provide a degree of protection against falling dirt.	Indoor use primarily to provide a degree of protection against limited amount of falling dirt	General purpose enclosure in ordinary locations.
2	Enclosures constructed for indoor use to provide a degree of protection to personnel against incidental contact with the enclosed equipment, to provide a degree of protection against falling dirt, and to provide a degree of protection against dripping and light splashing of liquids.	Indoor use primarily to provide a degree of protection against limited amounts of falling water and dirt.	An enclosure for Indoor use, constructed so as to provide a degree of protection against dripping and light splashing of noncorrosive liquids, and falling dirt.
3	Enclosures constructed for either indoor or outdoor use to provide a degree of protection to personnel against incidental contact with enclosed equipment, to provide a degree of protection against falling dirt, rain, sleet, snow and windblown dust and that will be undamaged by the external formation of ice on the enclosure.	Outdoor use primarily to provide a degree of protection against rain, sleet, windblown dust, and damage from external ice formation.	An enclosure for either indoor or outdoor use, constructed so as to provide a degree of protection against rain, snow, and windblown dust; undamaged by the external formation of ice on the enclosure.
3R	Enclosures constructed for either indoor or outdoor use to provide a degree of protection to personnel against incidental contact with enclosed equipment, to provide a degree of protection against falling dirt, rain, sleet, snow and that will be undamaged by the external formation of ice on the enclosure.	Outdoor use primarily to provide a degree of protection against rain, sleet; and damage from external ice formation.	An enclosure for either indoor or outdoor use, constructed so as to provide a degree of protection against rain, and snow, undamaged by the external formation of ice on the enclosure.
4	Enclosures constructed for either indoor or outdoor use to provide a degree of protection to personnel against incidental contact with the enclosed equipment: to provide a degree of protection against falling dirt, rain, sleet, snow, windblown dust, splashing water, and that will be undamaged by the external formation of ice on the enclosure.	Indoor or outdoor use primarily to provide a degree of protection against windblown dust, and rain, splashing water, hose-directed water; and damage from external ice formation.	An enclosure for either indoor or outdoor use, constructed so as to provide a degree of protection against rain, snow, windblown dust, splashing and hose-directed water; undamaged by the external formation of ice on the enclosure.
4X	Enclosures constructed for either indoor or outdoor use to provide a degree of protection to personnel against incidental contact with the enclosed equipment; to provide a degree of protection against falling dirt, rain, sleet, snow, windblown dust, splashing water, hose-directed water, and corrosion; and that will be undamaged by the external formation of ice on the enclosure.	Indoor or outdoor use primarily to provide a degree of protection against corrosion, windblown dust and rain, splashing water, hose-directed water; and damage from external ice formation.	An enclosure for either indoor or outdoor use, constructed so as to provide a degree of protection against rain, snow, windblown dust, splashing and hose-directed water; undamaged by the external formation of ice on the enclosure; resists corrosion.
12	Enclosures constructed (without knockouts) for indoor use to provide a degree of protection to personnel against incidental contact with the enclosed equipment; to provide a degree of protection against falling dirt; against circulating dust, lint, fibers and flyings; and against dripping and light splashing of liquids.	Indoor use primarily to provide a degree of protection against circulating dust, falling dirt, and dripping noncorrosive liquids.	An enclosure for indoor use, constructed so as to provide a degree of protection against circulating and settling dust, lint, fibres, and flyings; dripping and light splashing of non-corrosive liquids; not provided with knockouts.
13	Enclosures constructed for indoor use to provide a degree of protection to personnel against incidental contact with the enclosed equipment; to provide a degree of protection against falling dirt; against circulating dust, lint, fibers, and flyings; and against the spraying, splashing, and seepage of water, oil, and noncorrosive coolants.	Indoor use primarily to provide a degree of protection against dust, spraying of water, oil, and noncorrosive coolant.	An enclosure for indoor use, constructed so as to provide a degree of protection against circulating and settling dust, lint, fibres, and flyings; seepage and spraying of noncorrosive liquids including oils and coolants.

Note: The specifications on this page are for comparative reference only and are not intended to provide the complete requirements or test qualifications published by various associations and agencies. Complete information may be obtained by contacting the appropriate organization.

IEC publication 529, Classification of Degrees of Protection Provided by Enclosures, provides a system for specifying electrical equipment for enclosures on the basis of degree of protection provided by the enclosure. IEC 529 does not specify degrees of protection against mechanical damage of equipment, risk of explosions, or conditions such as moisture (produced for example by condensation), corrosive vapors, fungus or vermin. NEMA Standards Publication 250 does test for environmental conditions such as corrosion, rust, icing, oil and coolants. For this reason, and because the tests and evaluations for other characteristics are not identical, the IEC Enclosure Classification Designations cannot be exactly equated with NEMA Enclosure type Numbers.

The IEC designation consists of the letters IP followed by two numerals. The first characteristic numeral indicates the degree of protection provided by the enclosure with respect to persons and solid foreign objects entering the enclosure. The second characteristic numeral indicates the degree of protection provided by the enclosure with respect to the harmful ingress of water.

The IEC has established an enclosure grading system that produces an IP rating. (For example, IP 54 - 5 is the first character - refer to tables I & II. 4 is the second character - refer to table III - following page).

The following is provided for information only.

Table I

Degrees of Protection against Hazardous Parts

Degree of protection is indicated by the first characteristic numeral

First Characteristic Numeral	Protection of Persons	Protection of Equipment
0	Non Protected	Non-Protected
1	Protected against access to hazardous parts with the back of a hand.	Protected against objects of 50mm diameter and greater.
2	Protected against access to hazardous parts with a finger.	Protected against objects of 12.5mm diameter and greater.
3	Protected against access to hazardous parts with a tool of 2.5mm in diameter and greater.	Protected against objects of 2.5mm diameter and greater.
4	Protected against access to hazardous parts with a wire of 1.0mm in diameter and greater.	Protected against objects of 1.0mm diameter and greater.
5	Protected against access to hazardous parts with a wire of 1.0mm in diameter and greater.	Protected against dust. Ingress of dust is not totally prevented, but dust shall not penetrate in a quantity to interfere with satisfactory operation of the apparatus or to impair safety.
6	Protected against access to hazardous parts with a wire of 1.0mm in diameter and greater.	Protected against dust. No ingress of dust.

Note: In the case of the first characteristic numerals 3, 4, 5 and 6, protection against access to hazardous part is satisfied if adequate clearance is kept. The full diameter of the object probe shall not pass through an opening of the enclosure.

Table III
Degrees of Protection against Water

Degree of protection is indicated by the second characteristic numeral

First Characteristic Numeral	Description	Definition
0	Non Protected	
1	Protected against vertically falling water drops	Vertically falling drops shall have no harmful effects.
2	Protected against vertically falling water drops when enclosure tilted up to 15°	Vertically falling drops shall have no harmful effects ° when the enclosure is tilted at any angle up to 15° on either side of the vertical.
3	Protected against spraying water.	Water sprayed at any angle up to 60° on either side of the vertical shall have no harmful effects.
4	Protected against splashing water	Water splashed against the enclosure from any direction shall have no harmful effects.
5	Protected against water jets	Water projected in jets against the enclosure from any direction shall have no harmful effects.
6	Protected against powerful water jets	Water projected in powerful jets against the enclosure from any direction shall have no harmful effects.
7	Protected against the effects of temporary immersion in water.	Ingress of water in quantities causing harmful effects shall not be possible when the enclosure is temporarily immersed in water under standardized conditions of pressure and time.
8	Protected against the effects of continuous immersion in water.	Ingress of water in quantities causing harmful effects shall not be possible when the enclosure is continuously immersed in water under conditions which shall be agreed between manufacturer and user but which are more severe than for numeral 7.

NEMA TO IEC Enclosure Rating Cross-Reference¹

NEMA TYPE	IP23	IP30	IP32	IP55	IP64	IP65	IP66	IP67
1	x							
2		x						
3					x			
3R			x					
4							x	
4X							x	
6								x
12				x				
13						x		

¹ This cross reference is an approximation of NEMA and IEC classifications for reference only. Please consult the appropriate JIC agencies for requirements and test qualifications for complete information.

Purge/Pressurization Systems

Purge/pressurization systems allow the use of general-purpose enclosures in hazardous locations as an alternative to NEMA Type 7 or 9 enclosures or those rated for zone classification-. Purge/pressurization accessories are attached to an enclosure to prevent explosions in hazardous locations by purging combustible gases or dust and then maintaining a positive pressure with clean dry air, or other inert gas.

Purged and Pressurized Enclosures

1. Purged/pressurized Enclosures for Class I Hazardous Locations Purging is defined as the process of supplying an enclosure with clean air or an inert gas, at sufficient flow and positive pressure to reduce to an acceptable safe level the concentrations of any flammable gases or vapors initially present, and to maintain this safe level by positive pressure with or without continuous flow.
2. Pressurized Enclosures for Class II Hazardous Locations Pressurizing is similar to purging except that pressurizing is used to prevent the entrance of hazardous dusts and cannot be used to clean out dust that already exists inside an enclosure.

Purged or pressurized enclosures are acceptable alternatives for use in hazardous location as permitted by Article 500 of the National Electrical Code and the inspection authority having jurisdiction provided that the requirements and safeguards specified by NFPA 496, "Purged and Pressurized Enclosures for Electrical Equipment in Hazardous Locations" are strictly followed.

Schaefer's Electrical Enclosures, Inc. does not supply purged/pressurized enclosures. The above descriptions are provided for information only.

Modification Services

Schaefer's Electrical Enclosures, Inc. offers a series of standard options to complement our wide range of catalog products. These options meet common industry and application requirements and are designed to offer a wide range of flexibility to meet many different needs.

By utilizing standard catalog enclosure types and standard accessories or options, you can keep your price and delivery times to a minimum.

Wall-Mount Enclosures

- Finish options
- Dimension changes
- Hole and cutout options
- Hinge options
- Studs, nuts and tapped holes
- Sub-panel options
- Ventilation options

- Window options
- Floor mounting options
- Assembled accessories
- Disconnect options
- Special latching

Large Mild Steel Enclosures

- Finish options
- Dimensional changes
- Hole and cutout options
- Component mounting options
- Sub-panel options
- Ventilation options
- Window options
- Floor mounting options
- Hinge options
- Wire management choices
- Structural changes
- Assembled accessories
- Disconnect options
- Special latching

Stainless Steel Enclosures

Type 304 or 316 stainless steel

- Hole and cutout options
- Studs, nuts and tapped holes
- Sub-panel options
- Ventilation options
- Window options
- Mounting options
- Drip shields
- Assembled accessories
- Disconnect options
- Hinge options
- Special latching

CAD Drawing Requirements

- Drawings to be AutoCad .DXF or .DWG
- Provide CAD Drawing scaled 1:1 (1" = 1 Drawing Unit / 1mm = 1 Drawing Unit) [Please specify on drawing 'Inch' or 'Metric' accordingly]
- Provide only Pertinent Information required to Modify the Enclosure. Electronic/component layout drawings not required.

Layer Control

- Erase/Omit all unnecessary drawing information
- Turn On/Thaw Layers in which modifications are necessary (should be only information on drawing)
- Purge all unnecessary Blocks / Layers / Line types / Text Styles / Dimension Styles
- Clearly identify on the drawing, your company name and drawing number.
- Clearly identify revisions.

Email drawings

- Clearly state "Quote request" or "Engineering Drawings" in subject line. Provide brief explanation of revision or change if appropriate.

Minimum Requirements For Engineering/Estimating

- 1) Clearly specify what you are sending (i.e. Order, RFQ, Information Request, Credit Information, Change).
- 2) Specify complete customer name, address, city, state, and zip.
- 3) Specify phone and fax number of customer.
- 4) Specify customer contact.
- 5) Specify exactly who is to receive a copy of the quote (i.e. Customer/Rep/Both).
- 6) Specify shipping information.
- 7) Specify requested ship date. Do not specify ASAP, Rush, or impossible dates.
- 8) Indicate on repeat orders when a change is taking place. Follow up with Engineering and Estimating to verify change.
- 9) Specify quantities required and indicate if a blanket order will be placed.
- 10) Specify part number if item is a repeat.
- 11) When referencing competitors part numbers, cross-reference them before submitting RFQ.
- 12) Clearly describe product including environment (Nema), type, height, width, depth, number of doors, special construction (i.e. shelves, brackets, etc....), description of application is helpful.
- 13) Clearly specify if UL Environmental rating Labels are required. If so, specify type or indicate none.
- 14) Clearly specify paint, paint type, paint color, paint part number, paint manufacture, and any special requirements if other than standard.
- 15) Specify type of finish for stainless enclosures (i.e. brushed, scotch brite). Indicate special requirements if other than standard.
- 16) Specify material requirements (i.e. stainless, mild steel).
- 17) Indicate if sub-panel is required.
- 18) When sending drawings, specify clear and complete information.
 - Engineering - specify customer name, job number, and revision if applicable.
 - Estimating – specify customer name and reference RFQ or quote number if applicable.
- 19) Specify any special requirements (i.e. penalty clauses, accessories, mil specs).

ACCEPTANCE - All orders are subject to acceptance by Schaefer's Electrical Enclosures, Inc. All orders must meet a minimum dollar amount of \$100.

TERMS - 1%, 10 days, Net 30 days. All open accounts must be approved by Schaefer's Electrical Enclosures, Inc. A 1-1/2% monthly interest charge will be applied on past due accounts.

PRICES - Prices and product availability subject to change without notice. Call for current prices and availability. Schaefer's Electrical Enclosures, Inc. reserves the right to correct any prices due to printing error.

FREIGHT - F.O.B. point of shipment. Freight allowance is \$2,000 on any single shipping release. No freight allowance for product shipped west of the Rocky Mountains. Check with your sales representative for shipping information. Enclosures 96" tall and above will not be freight allowed. When a partial shipment is requested on a freight allowed order, Schaefer's will send the larger portion of the order freight allowed and customer will be responsible for freight on the smaller portion. AC Units, Heating Units, and other accessory items not stocked by Schaefer's Electrical Enclosures, Inc. will be drop shipped directly from their respective manufacturer and will not qualify for Schaefer's Electrical Enclosures, Inc. freight allowed program. Separate freight charges will apply for these items.

Freight charges are prepaid and added to the invoice on orders that do not qualify for freight allowance (unless requested to ship "Freight Collect"). Freight charges are added at the published I.C.C. rates.

Routing will be via common carrier. On freight allowed orders, Schaefer's Electrical Enclosures, Inc. reserves the right to choose the most economical routing. Providing the order qualifies for the allowance, allowances on orders that specify more expensive routing will be equal to standard routing.

On shipments other than Ground, the charges will be freight collect unless other arrangements have been made prior to acceptance of order.

WEIGHTS AND DIMENSIONS - Catalog weight and dimensions are careful estimates but are NOT guaranteed.

DELIVERY - Delivery dates given prior to the order or after placement of the order are good faith estimates made by us and are based upon prompt receipt of all necessary information from the purchaser. Therefore, Schaefer's Electrical Enclosures, Inc. will not be held liable for any damages, losses, or claims due to inability to meet such delivery dates.

DAMAGE OR LOSS OF GOODS IN TRANSIT - Any risk of loss or damage to goods passes to the purchaser at time of delivery to carrier either at the Schaefer's Electrical Enclosures, Inc. plant or any other shipping point.

Claims for loss or damage of goods should be made by the purchaser against the carrier. Any aid and assistance in securing a satisfactory adjustment will be provided by Schaefer's Electrical Enclosures, Inc. if an immediate inspection of goods at time of delivery and a timely claim filing was made by purchaser. Loss or damage of goods MUST be noted on the delivery ticket presented by the carrier at the time of delivery.

TAXES - All applicable sales and/or other taxes will be added to the prices of materials purchased and will appear as separate additional items on each invoice, or in lieu thereof the purchaser, prior to delivery, shall provide Schaefer's Electrical Enclosures, Inc. with a properly executed tax exemption certificate acceptable to the proper taxing authorities. These items subject to the same terms of payment as described above.

CANCELLATION - No charge will be made to purchaser when canceling normal quantities of standard catalog goods, provided written notice is received at factory in time to stop shipment. Special order items or orders for standard catalog goods in quantities that exceed the norm that are in the process of manufacture may be canceled, however, the purchaser shall reimburse Schaefer's Electrical Enclosures, Inc. for any expense incurred with respect to the canceling of these orders.

Engineering expenses and/or any special steps taken in the manufacturing process of such orders will be included in these charges.

RETURNED MATERIAL - Authorization and shipping instructions must be obtained prior to return of materials or Schaefer's Electrical Enclosures, Inc. will refuse these items. In addition, only unused saleable materials of current design will be eligible for return.

A minimum restocking charge of 20% of the price originally paid for the material, plus all transportation charges paid by us will be deducted from our Credit Memo on the returned goods. All transportation charges on returned material must be prepaid. Any cost in excess of 20% restocking charge incurred in repackaging and restoring the material to saleable condition will be deducted from Credit Memo.

Material must be returned before one year from the date of invoice, or it will not be accepted.

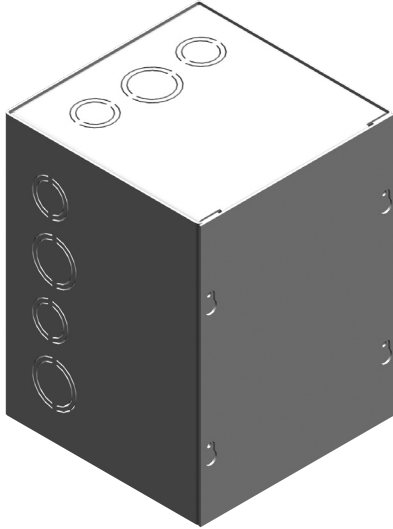
Special order items fabricated to the customer's specifications may not be returned for credit unless it's due to poor workmanship or defective materials supplied by Schaefer's Electrical Enclosures, Inc. If this is the case, appropriate credit will be issued, provided proper authorization for return has been obtained from Schaefer's Electrical Enclosures, Inc.

REWORK - Credit will be allowed for rework ONLY if authorization by Schaefer's Electrical Enclosures, Inc. is obtained in writing in advance of such rework being obtained.

WARRANTIES - Schaefer's Electrical Enclosures, Inc. warrants goods manufactured by it to be free from defects in materials and workmanship for a period of on (1) year from the date of shipment from its plant.

Goods proven to be defective shall be repaired or replaced at Schaefer's Electrical Enclosures, Inc. option. All liability requirements shall be deemed fulfilled upon repair or replacement of such goods. Coverage under this warranty does not include incidental or consequential damages other than the coverage described above. The warranty and remedies set for above are exclusive and in lieu of all others, written or oral, expressed or implied.

PENALTY CLAUSE - No penalty clause of any description, in any specifications, or order, will be effective unless approved in writing over the signature of an office of Schaefer's Electrical Enclosures, Inc.



APPLICATIONS - Designed to provide protection from accidental contact with enclosed apparatus.

CONSTRUCTION - Fabricated from 12, 14 or 16 gauge carbon steel. Also available with or without removable concentric knockouts.

FINISH - Standard RAL 7035 texture polyester powder coat finish on interior and exterior of enclosures. Recoatable, smooth, white or ANSI-61 gray available at no charge. Standard RAL and custom match finishes available for an additional charge, please contact Schaefer's Electrical Enclosures, Inc. for further assistance.

All powder coat finishes applied over cleaned phosphatized surfaces.

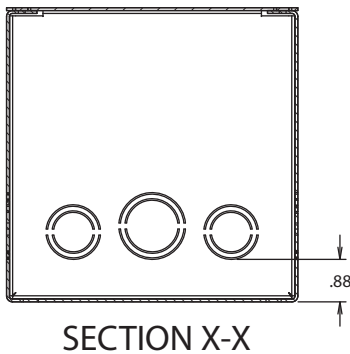
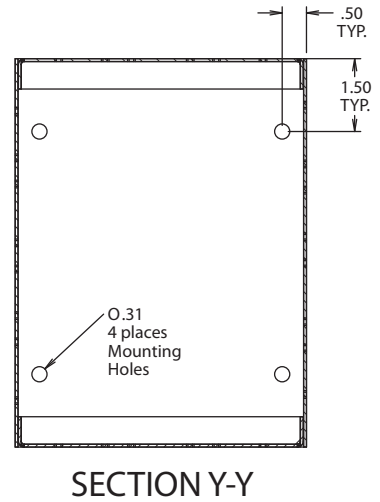
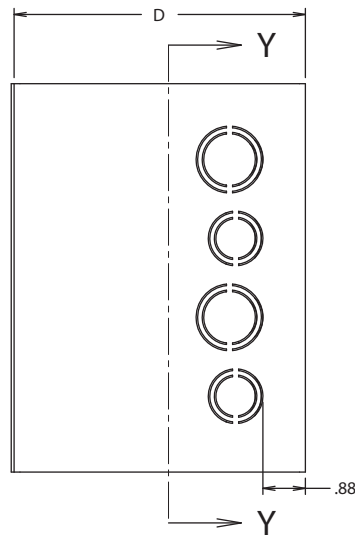
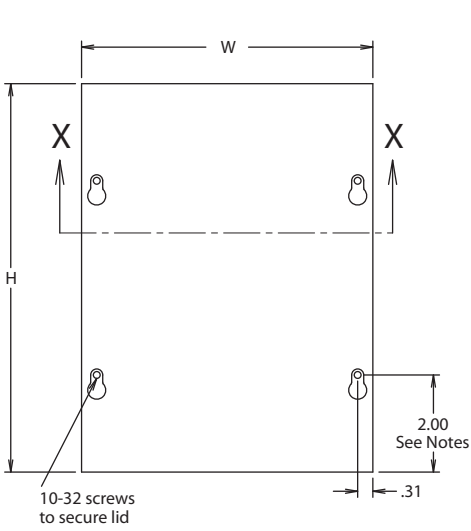
OPTIONS - Schaefer's Electrical Enclosures, Inc. can modify standard enclosures or custom design enclosures according to your specifications. Sizes and many more options are available. Quotations upon request.

INDUSTRY STANDARDS

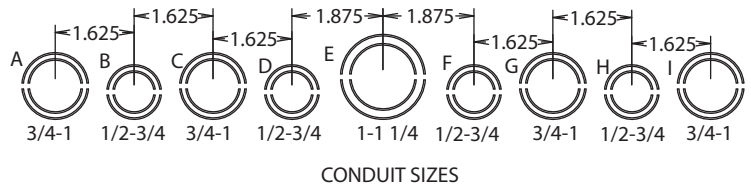
- UL 50 Listed
- Type 1

Catalog Number with Knockouts	Catalog Number without Knockouts	Enclosure Size H x W x D (inches)	Gauge	Shpg. Wt.	# of Cover Screws	"Knockout Pattern along "H" Side"	"Knockout Pattern along "W" Side"
SPSC-444	SPSC-444N	4 x 4 x 4	16	3	2	B-C	B-C
SPSC-644	SPSC-644N	6 x 4 x 4	16	3	2	B-C-D	B-C
SPSC-664	SPSC-664N	6 x 6 x 4	16	4	2	B-C-D	B-C-D
SPSC-864	SPSC-864N	8 x 6 x 4	16	5	2	F-G-H-I	B-C-D
SPSC-1264	SPSC-1264N	12 x 6 x 4	16	6	4	C-D-E-F-G	B-C-D
SPSC-884	SPSC-884N	8 x 8 x 4	16	6	4	F-G-H-I	F-G-H-I
SPSC-1084	SPSC-1084N	10 x 8 x 4	16	6	4	F-G-H-I	F-G-H-I
SPSC-1284	SPSC-1284N	12 x 8 x 4	16	7	4	C-D-E-F-G	F-G-H-I
SPSC-10104	SPSC-10104N	10 x 10 x 4	16	8	4	F-G-H-I	C-D-E-F-G
SPSC-12104	SPSC-12104N	12 x 10 x 4	16	8	4	C-D-E-F-G	C-D-E-F-G
SPSC-12124	SPSC-12124N	12 x 12 x 4	16	10	4	C-D-E-F-G	C-D-E-F-G
SPSC-18124	SPSC-18124N	18 x 12 x 4	16	13	4	A-B-C-D-E-F-G-H-I	C-D-E-F-G
SPSC-15154	SPSC-15154N	15 x 15 x 4	16	13	4	B-C-D-E-F-G-H	B-C-D-E-F-G-H
SPSC-18154	SPSC-18154N	18 x 15 x 4	16	15	4	A-B-C-D-E-F-G-H-I	B-C-D-E-F-G-H
SPSC-18184	SPSC-18184N	18 x 18 x 4	16	18	4	A-B-C-D-E-F-G-H-I	A-B-C-D-E-F-G-H-I
SPSC-666	SPSC-666N	6 x 6 x 6	16	5	2	B-C-D	B-C-D
SPSC-866	SPSC-866N	8 x 6 x 6	16	6	4	F-G-H-I	B-C-D
SPSC-1266	SPSC-1266N	12 x 6 x 6	16	7	4	C-D-E-F-G	B-C-D
SPSC-886	SPSC-886N	8 x 8 x 6	16	7	4	F-G-H-I	F-G-H-I
SPSC-1086	SPSC-1086N	10 x 8 x 6	16	8	4	F-G-H-I	F-G-H-I
SPSC-1286	SPSC-1286N	12 x 8 x 6	16	9	4	C-D-E-F-G	F-G-H-I
SPSC-10106	SPSC-10106N	10 x 10 x 6	16	9	4	F-G-H-I	C-D-E-F-G
SPSC-12106	SPSC-12106N	12 x 10 x 6	16	10	4	C-D-E-F-G	C-D-E-F-G
SPSC-12126	SPSC-12126N	12 x 12 x 6	16	12	4	C-D-E-F-G	C-D-E-F-G
SPSC-18126	SPSC-18126N	18 x 12 x 6	16	16	4	A-B-C-D-E-F-G-H-I	C-D-E-F-G
SPSC-18186	SPSC-18186N	18 x 18 x 6	16	20	4	A-B-C-D-E-F-G-H-I	A-B-C-D-E-F-G-H-I
SPSC-24186	SPSC-24186N	24 x 18 x 6	14	32	4	A-B-C-D-E-F-G-H-I	A-B-C-D-E-F-G-H-I
SPSC-24246	SPSC-24246N	24 x 24 x 6	14	39	4	A-B-C-D-E-F-G-H-I	A-B-C-D-E-F-G-H-I
SPSC-30246	SPSC-30246N	30 x 24 x 6	14	49	6	A-B-C-D-E-F-G-H-I	A-B-C-D-E-F-G-H-I
SPSC-24248	SPSC-24248N	24 x 24 x 8	14	47	4	A-B-C-D-E-F-G-H-I	A-B-C-D-E-F-G-H-I
N/A	SPSC-30248N	30 x 24 x 8	14	55	6	-	-
N/A	SPSC-30308N	30 x 30 x 8	14	81	6	-	-
N/A	SPSC-36248N	36 x 24 x 8	14	62	6	-	-
N/A	SPSC-36308N	36 x 30 x 8	12	100	6	-	-
N/A	SPSC-363612N	36 x 36 x 12	12	128	8	-	-

SPSC

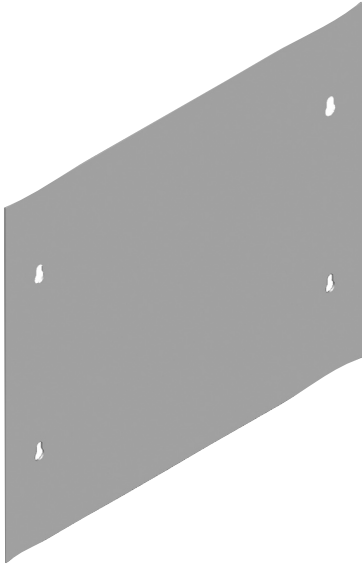


KNOCKOUT PATTERN (outside view)



NOTES:

1. 2" when H of tub is 11" and less.
3" when H of tub is 12" and greater.
2. Lid will be secured with 2 screws centered in H of tub when H of tub is 6 or less.
3. Schaefer's Electrical Enclosures, Inc. standardly provides concentric knockouts.



APPLICATIONS - Converts "SPSC" surface mount enclosures into flush mount enclosures.

CONSTRUCTION - Fabricated from 16 or 14 gauge carbon steel.

FINISH - Standard RAL 7035 texture polyester powder coat finish on interior and exterior. Recoatable, smooth, white or ANSI-61 gray available at no charge. Standard RAL and custom match finishes available for an additional charge, please contact Schaefer's Electrical Enclosures, Inc. for further assistance. All powder coat finishes applied over cleaned phosphatized surfaces.

OPTIONS - Schaefer's Electrical Enclosures, Inc. can modify standard enclosures or custom design accessories according to your specifications. Sizes and many more options are available. Quotations upon request.

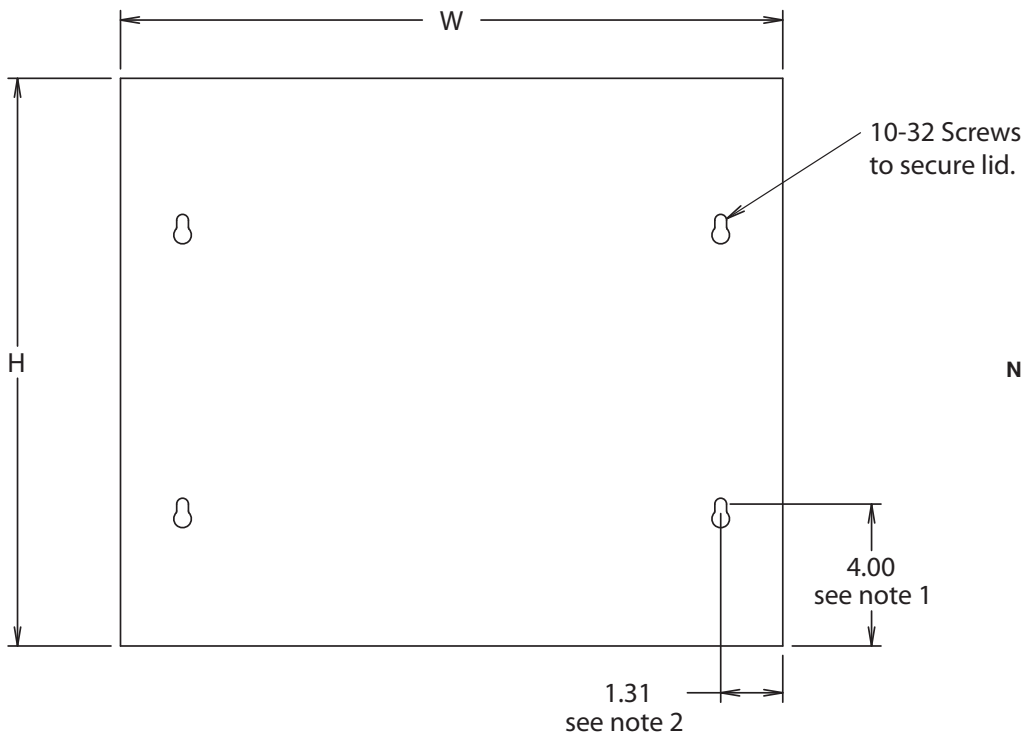
INDUSTRY STANDARDS

- UL 50 Listed
- Type 1

Catalog Number	Lid Size H x W (inches)	Gauge	Shpg. Wt.	# of Cover Screws
SPSF-44	5 x 5.50	16	1	2
SPSF-64	7 x 5.50	16	1	2
SPSF-66	8 x 8	16	1	4
SPSF-86	10 x 8	16	2	4
SPSF-126	14 x 8	16	2	4
SPSF-88	10 x 10	16	2	4
SPSF-108	12 x 10	16	2	4
SPSF-128	14 x 10	16	3	4
SPSF-1010	12 x 12	16	3	4
SPSF-1210	14 x 12	16	4	4
SPSF-1212	14 x 14	16	4	4
SPSF-1512	17 x 14	16	4	4
SPSF-1812	20 x 14	16	5	4
SPSF-1515	17 x 17	16	5	4
SPSF-1815	20 x 17	16	6	4
SPSF-1818	20 x 20	16	9	4
SPSF-2418	26 x 20	14	11	4
SPSF-2424	26 x 26	14	15	4

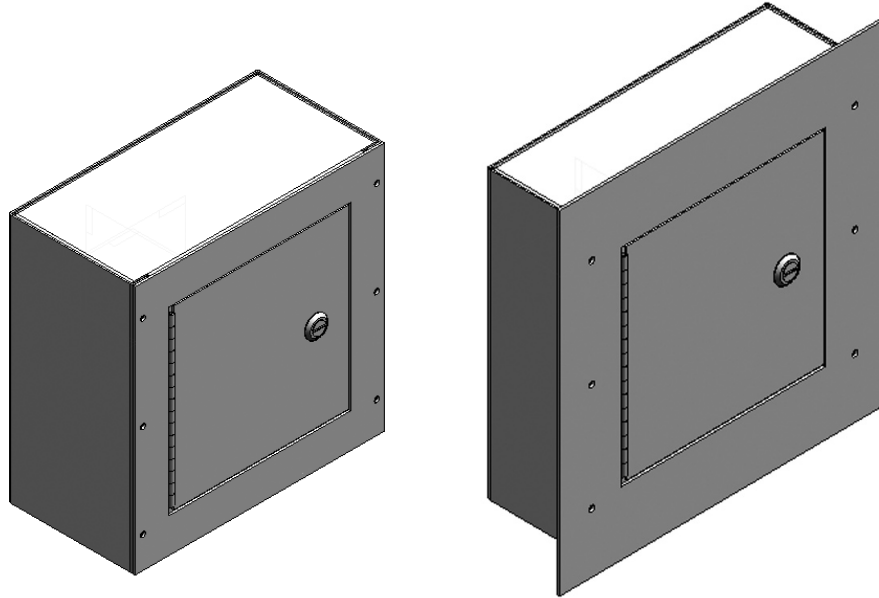
Note: Part number refers to height and width of screw cover enclosure
i.e. - SPSC-864 enclosure would accept SPSF-86 flush lid.

SPSF



NOTES:

1. 2.5" for SPSF-44 & SPSF-64 3" when H of tub is 11" and less.
4" when H of tub is 12" and greater.
2. 1.06" for SPSF-44 & SPSF-64
3. Lid will be secured with 2 screws centered in H of tub when H of tub is 6 or less.



APPLICATIONS - Communication wiring panels and junction or terminal units.

CONSTRUCTION - Fabricated from 16 and 14 gauge carbon steel with 12 gauge frame on flush mount enclosures. Enclosures features:

- Continuous hinge on height dimension.
- Single door units contain a slotted quarter-turn latch.
- Frame on flush enclosure extends 1" beyond all four sides of enclosure.
- No knockouts.

FINISH - Standard RAL 7035 texture polyester powder coat finish on interior and exterior of enclosures. Recoatable, smooth, white or ANSI-61 gray available at no charge. Standard RAL and custom match finishes available for an additional charge, please contact Schaefer's Electrical Enclosures, Inc. for further assistance. All powder coat finishes applied over cleaned phosphatized surfaces.

OPTIONS - Schaefer's Electrical Enclosures, Inc. can modify standard cabinets according to your specifications. Sizes and many more options are available. Quotations upon request.

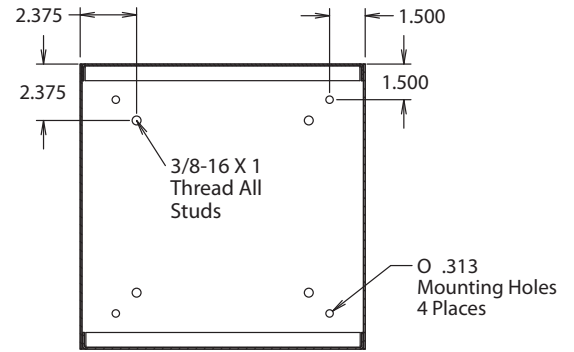
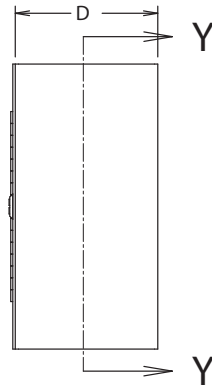
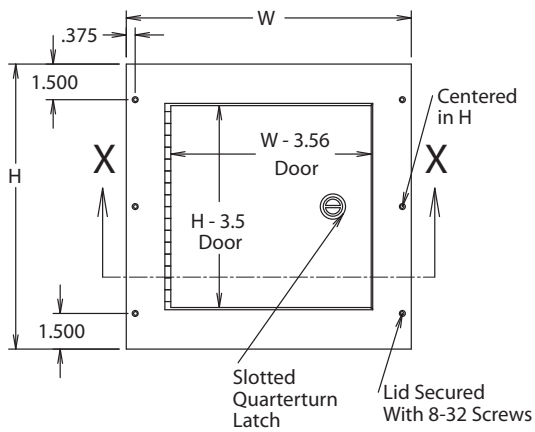
INDUSTRY STANDARDS

- UL 50 Listed
- Type 1

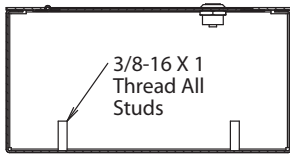
Catalog Number	Enclosure Size H x W x D (inches)	Shpg. Wt.
Surface Mounted Cabinets		
SPTSM-12124	12 x 12 x 4	10
SPTSM-15124	15 x 12 x 4	12
SPTSM-15154	15 x 15 x 4	14
SPTSM-18124	18 x 12 x 4	14
SPTSM-18154	18 x 15 x 4	17
SPTSM-18184	18 x 18 x 4	20
SPTSM-24124	24 x 12 x 4	18
SPTSM-24154	24 x 15 x 4	22
SPTSM-24184	24 x 18 x 4	29
SPTSM-24244	24 x 24 x 4	38
SPTSM-12126	12 x 12 x 6	11
SPTSM-15126	15 x 12 x 6	14
SPTSM-15156	15 x 15 x 6	16
SPTSM-18126	18 x 12 x 6	16
SPTSM-18156	18 x 15 x 6	19
SPTSM-18186	18 x 18 x 6	22
SPTSM-24126	24 x 12 x 6	20
SPTSM-24156	24 x 15 x 6	24
SPTSM-24186	24 x 18 x 6	32
SPTSM-24246	24 x 24 x 6	41

Catalog Number	Enclosure Size H x W x D (inches)	Shpg. Wt.
Flush Mounted Cabinets		
SPTFM-12124	12 x 12 x 4	11
SPTFM-15124	15 x 12 x 4	13
SPTFM-15154	15 x 15 x 4	16
SPTFM-18124	18 x 12 x 4	15
SPTFM-18154	18 x 15 x 4	19
SPTFM-18184	18 x 18 x 4	22
SPTFM-24124	24 x 12 x 4	20
SPTFM-24154	24 x 15 x 4	25
SPTFM-24184	24 x 18 x 4	31
SPTFM-24244	24 x 24 x 4	41
SPTFM-12126	12 x 12 x 6	12
SPTFM-15126	15 x 12 x 6	15
SPTFM-15156	15 x 15 x 6	18
SPTFM-18126	18 x 12 x 6	17
SPTFM-18156	18 x 15 x 6	21
SPTFM-18186	18 x 18 x 6	24
SPTFM-24126	24 x 12 x 6	27
SPTFM-24156	24 x 15 x 6	27
SPTFM-24186	24 x 18 x 6	34
SPTFM-24246	24 x 24 x 6	44

SPTSM

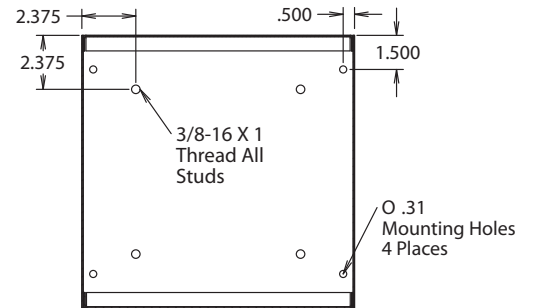
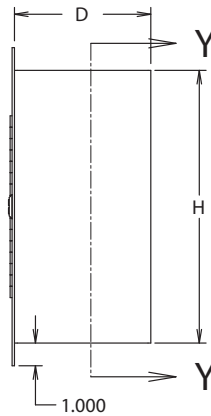
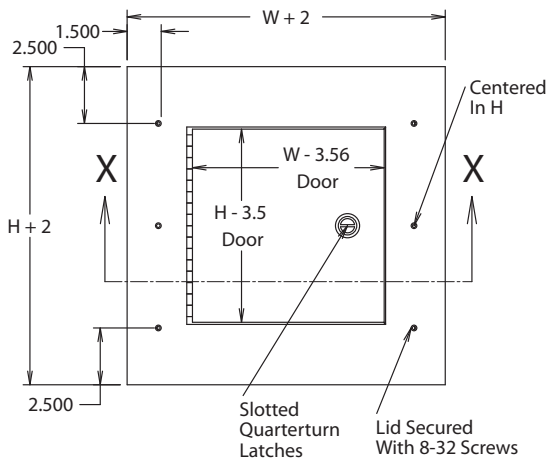


SECTION Y-Y

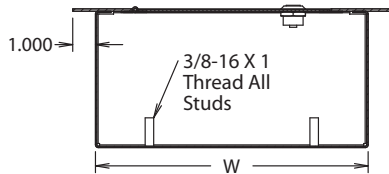


SECTION X-X

SPTFM



SECTION Y-Y



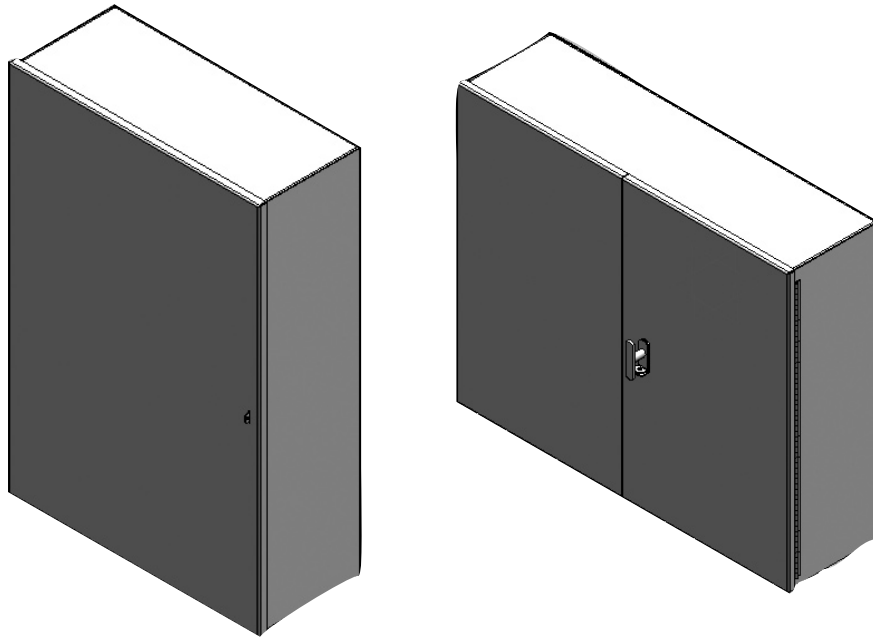
SECTION X-X

NOTES:

1. $3/8-16 \times 1$ " Thread All studs are furnished for Customer supplied Plywood sub panel. (Schaefer's Electrical Enclosures, Inc. doesn't offer Plywood Sub panels)

Type 1 Enclosures

Single Door & Double Door Transformer Cabinets



APPLICATIONS - Use as transformer housings, junction boxes and service boxes.

CONSTRUCTION - Fabricated from 12 or 14 gauge carbon steel. Enclosures feature:

- Bolt on butt hinges on single door.
- Continuous hinges on double door.
- Single door furnished with hasp.
- Double door features 3-point padlocking "T" handle.

FINISH - Standard RAL 7035 texture polyester powder coat finish on interior and exterior of enclosures. Recoatable, smooth, white or ANSI-61 gray available at no charge. Standard RAL and custom match finishes available for an additional charge, please contact Schaefer's Electrical Enclosures, Inc. for further assistance. All powder coat finishes applied over cleaned phosphatized surfaces.

OPTIONS - Schaefer's Electrical Enclosures, Inc. can modify standard enclosures or custom design enclosures according to your specifications. Sizes and many more options are available. Quotations upon request.

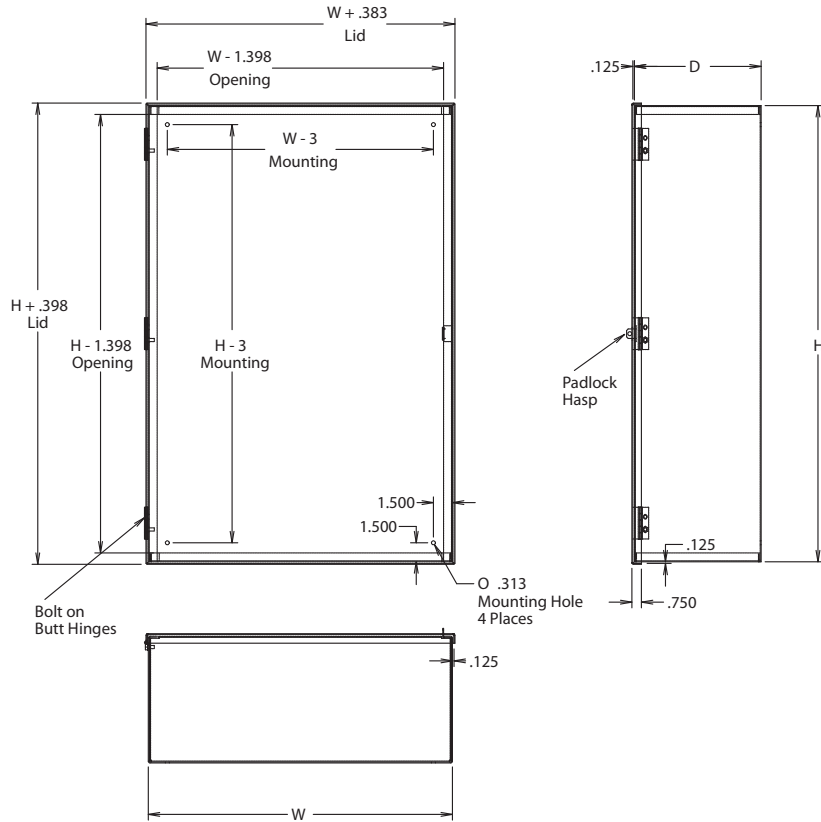
INDUSTRY STANDARDS

- UL 50 Listed
- Type 1

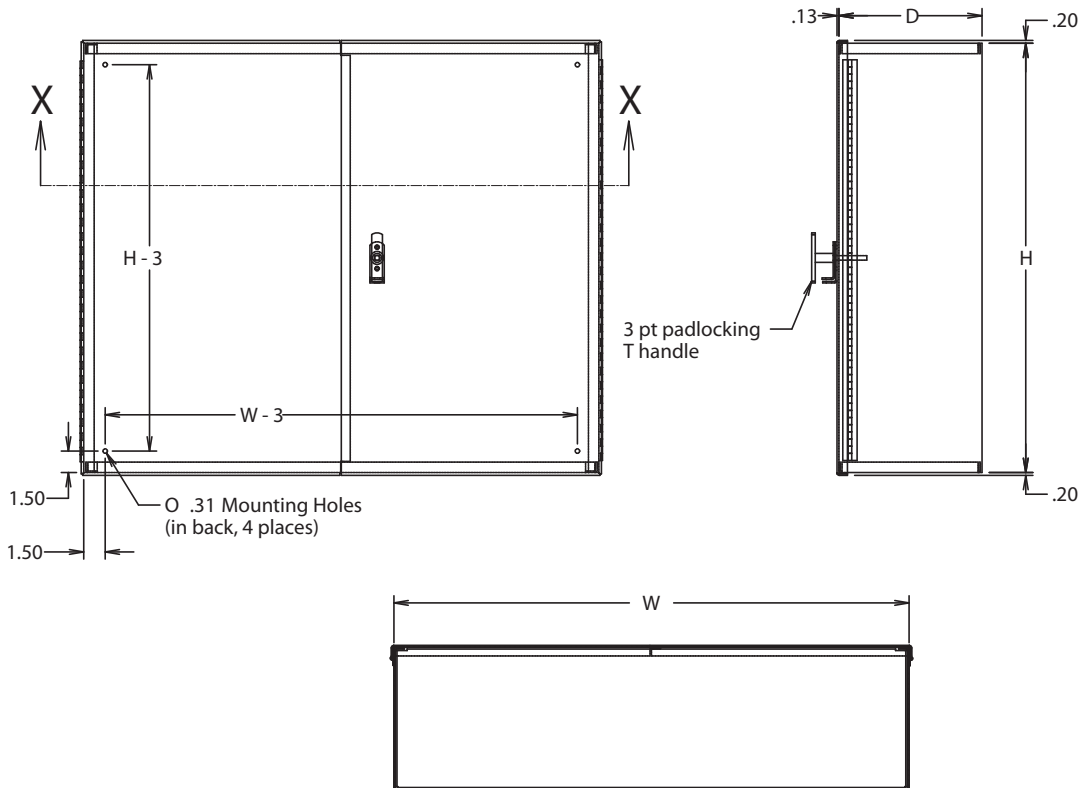
Catalog Number	Enclosure Size H x W x D (inches)	Gauge	Shpg. Wt.
Single Door			
SPTSD-18129	18 x 12 x 9	14	27
SPTSD-18189	18 x 18 x 9	14	35
SPTSD-32249	32 x 24 x 9	14	65
SPTSD-241810	24 x 18 x 10	14	45
SPTSD-242410	24 x 24 x 10	14	55
SPTSD-302410	30 x 24 x 10	14	65
SPTSD-322410	32 x 24 x 10	14	70
SPTSD-362410	36 x 24 x 10	14	75

Catalog Number	Enclosure Size H x W x D (inches)	Gauge	Shpg. Wt.
Single Door			
SPTDD-303010	30 x 30 x 10	14	103
SPTDD-243210	24 x 32 x 10	14	73
SPTDD-243610	24 x 36 x 10	14	80
SPTDD-303610	30 x 36 x 10	12	122
SPTDD-363010	36 x 30 x 10	12	122
SPTDD-323210	32 x 32 x 10	12	114
SPTDD-323610	32 x 36 x 10	12	123
SPTDD-363210	36 x 32 x 10	12	123
SPTDD-363610	36 x 36 x 10	12	134
SPTDD-304410	30 x 44 x 10	12	133

SPTSD



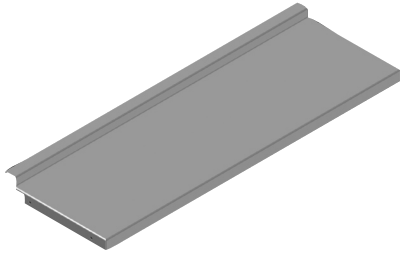
SPTDD



SECTION X-X

Type 1 Enclosures

Protective Weather Hood



APPLICATIONS - Offers protection from falling dirt, rain, snow and other elements.

CONSTRUCTION - Fabricated from 16 gauge carbon steel. Hood has a drip shield type front and is flanged on sides and rear.

FINISH - Standard RAL 7035 texture polyester powder coat finish on interior and exterior of enclosures. Recoatable, smooth, white or ANSI-61 gray available at no charge. Standard RAL and custom match finishes available for an additional charge, please contact Schaefer's Electrical Enclosures, Inc. for further assistance. All

powder coat finishes applied over cleaned phosphatized surfaces.

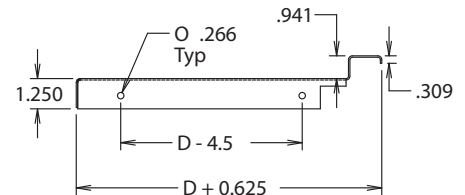
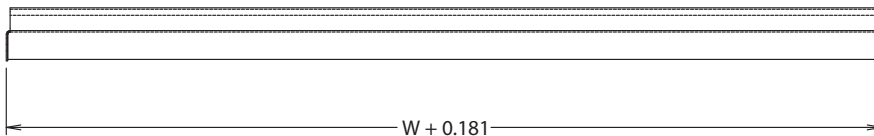
OPTIONS - Schaefer's Electrical Enclosures, Inc. can modify standard hoods or custom design a hood according to your specifications. Sizes and many more options are available. Quotations upon request.

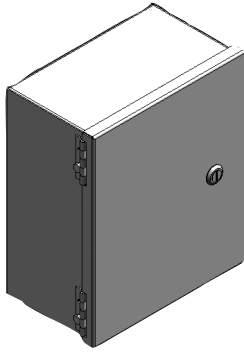
INDUSTRY STANDARDS

- UL 50 Listed
- Type 1

Catalog Number	Enclosure Size	
	W x D (inches)	Shpg. Wt.
SPTWH-129	12 x 9	3
SPTWH-189	18 x 9	5
SPTWH-249	24 x 9	7
SPTWH-1810	18 x 10	5
SPTWH-2410	24 x 10	7
SPTWH-3010	30 x 10	9
SPTWH-3210	32 x 10	9
SPTWH-3610	36 x 10	10
SPTWH-4410	44 x 10	12

SPTWH





APPLICATIONS - Designed for use as control or instrument cases in areas not requiring oil-tight and dust-tight specifications.

CONSTRUCTION - Fabricated from 16 gauge carbon steel. Enclosures feature:

- Studs for optional 14 gauge panel.
- Slotted quarter turn latch.
- Standard size cabinets have bolt on butt hinges in height dimension.

FINISH - Standard RAL 7035 texture polyester powder coat finish on interior and exterior of enclosures. Recoatable, smooth, white or ANSI-61 gray available at no charge. Standard RAL and custom match finishes available for an additional charge, please contact Schaefer's Electrical Enclosures, Inc. for further assistance.

All powder coat finishes applied over cleaned phosphatized surfaces. Carbon steel sub panels have a white polyester powder coat finish.

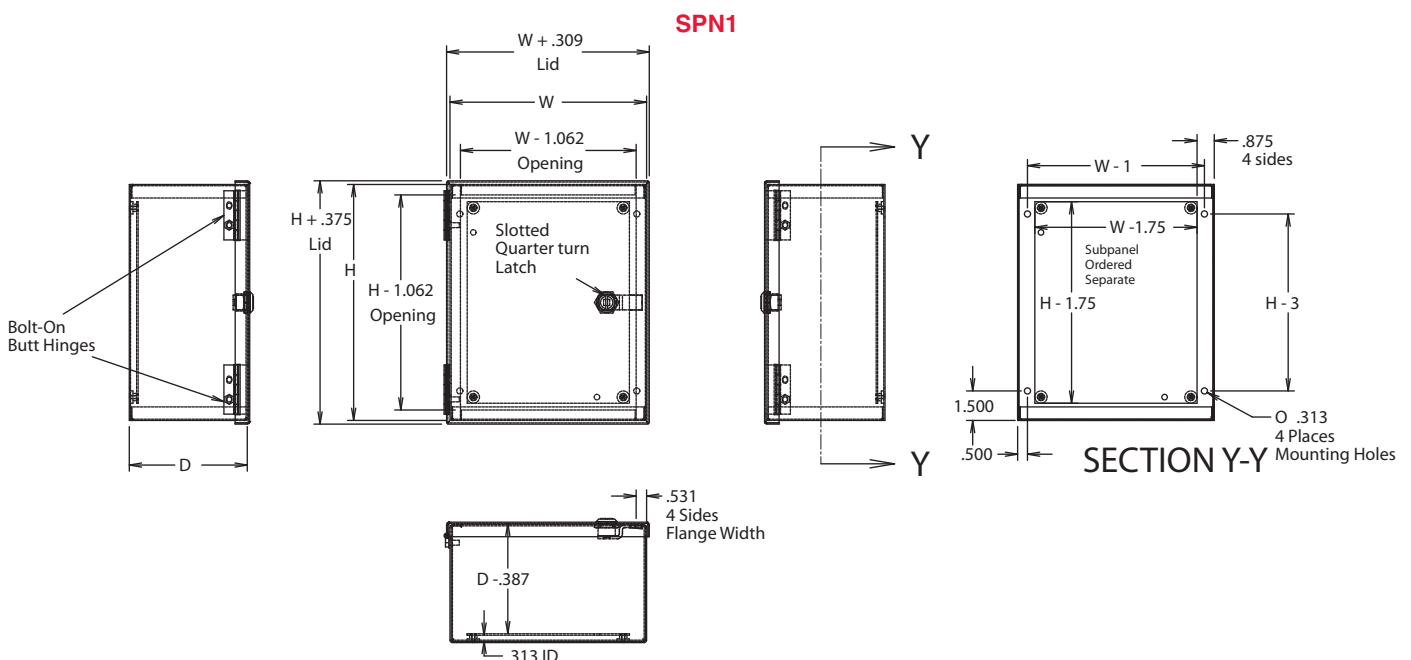
OPTIONS - Schaefer's Electrical Enclosures, Inc. can modify standard enclosures or custom design enclosures according to your specifications. Sizes and many more options are available. Quotations upon request.

INDUSTRY STANDARDS

- UL 50 Listed
- Type 1

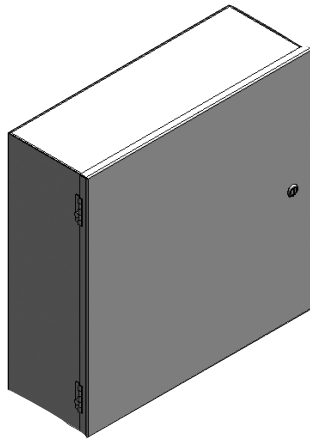
Catalog Number	Enclosure Size H x W x D (inches)	Shpg. Wt.	Sub Panel Part Number	Sub Panel Size H x W (inches)
SPN1-664	6 x 6 x 4	4	SPN1P-66	4.25 x 4.25
SPN1-864	8 x 6 x 4	5	SPN1P-86	6.25 x 4.25
SPN1-884	8 x 8 x 4	6	SPN1P-88	6.25 x 6.25
SPN1-1084	10 x 8 x 4	7	SPN1P-108	8.25 x 6.25
SPN1-10104	10 x 10 x 4	8	SPN1P-1010	8.25 x 8.25
SPN1-12104	12 x 10 x 4	10	SPN1P-1210	10.25 x 8.25
SPN1-12124	12 x 12 x 4	11	SPN1P-1212	10.25 x 10.25
SPN1-14124	14 x 12 x 4	14	SPN1P-1412	12.25 x 10.25
SPN1-866	8 x 6 x 6	6	SPN1P-86	6.25 x 4.25
SPN1-1086	10 x 8 x 6	9	SPN1P-108	8.25 x 6.25
SPN1-10106	10 x 10 x 6	10	SPN1P-1010	8.25 x 8.25
SPN1-12106	12 x 10 x 6	11	SPN1P-1210	10.25 x 8.25
SPN1-12126	12 x 12 x 6	13	SPN1P-1212	10.25 x 10.25
SPN1-14126	14 x 12 x 6	14	SPN1P-1412	12.25 x 10.25
SPN1-16126	16 x 12 x 6	16	SPN1P-1612	14.25 x 10.25
SPN1-20126	20 x 12 x 6	23	SPN1P-2012	18.25 x 10.25
SPN1-24126	24 x 12 x 6	26	SPN1P-2412	22.25 x 10.25
SPN1-12128	12 x 12 x 8	14	SPN1P-1212	10.25 x 10.25
SPN1-14128	14 x 12 x 8	21	SPN1P-1412	12.25 x 10.25

Note: Sub panels must be ordered separately. Reference page 121 for sub panel layout



Type 1 Enclosures

Large Hinge Cover Enclosures



APPLICATIONS - Designed to house electrical and electronic controls in areas not requiring oil-tight and dust-tight specifications.

CONSTRUCTION - Fabricated from 14 gauge carbon steel. Enclosures feature:

- Collar Studs for optional 12 or 14 gauge panels.
- Slotted Quarterturn Latches. Optional 3 point latch available.
- Standard size cabinets have bolt on butt hinges in height dimension.

FINISH - Standard RAL 7035 texture polyester powder coat finish on interior and exterior of enclosures. Recoatable, smooth, white or ANSI-61 gray available at no charge. Standard RAL and custom match finishes available for an additional

charge, please contact Schaefer's Electrical Enclosures, Inc. for further assistance. All powder coat finishes applied over cleaned phosphatized surfaces. Carbon steel sub panels have a white polyester powder coat finish.

OPTIONS - Schaefer's Electrical Enclosures, Inc. can modify standard enclosures or custom design enclosures according to your specifications. Sizes and many more options are available. Quotations upon request.

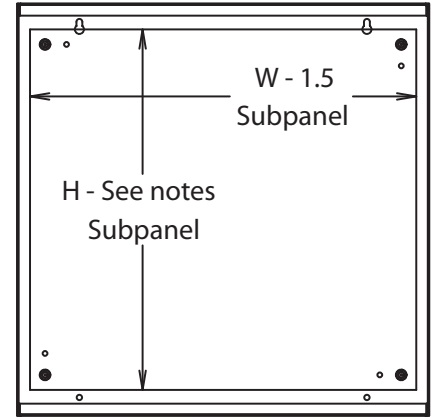
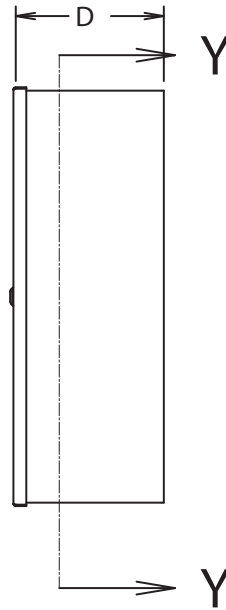
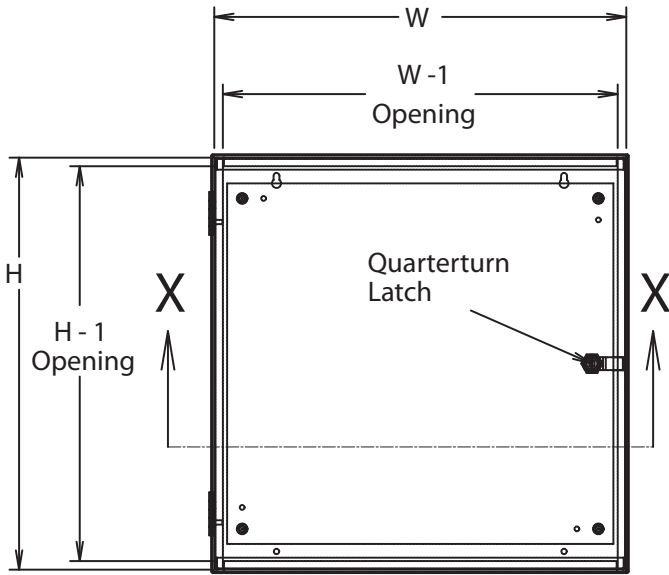
INDUSTRY STANDARDS

- UL 50 Listed
- Type 1

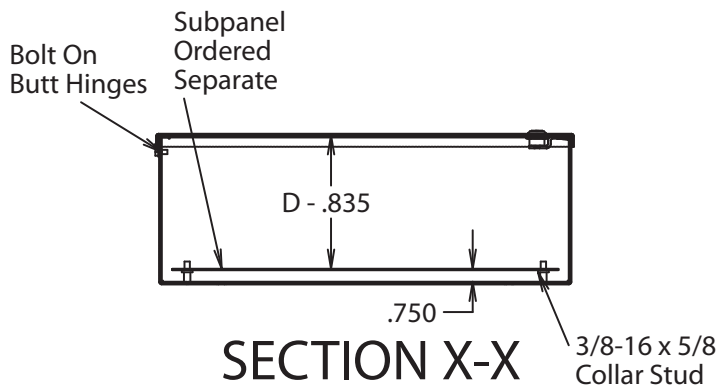
Catalog Number	Enclosure Size H x W x D (inches)	Shpg. Wt.	Sub Panel Part Number	Sub Panel Size H x W (inches)
SPLN1-16126	16 x 12 x 6.625	20	SPLN1P-1612	13 x 10.5
SPLN1-16166	16 x 16 x 6.625	26	SPLN1P-1616	13 x 14.5
SPLN1-16206	16 x 20 x 6.625	33	SPLN1P-1620	13 x 18.5
SPLN1-20166	20 x 16 x 6.625	33	SPLN1P-2016	17 x 14.5
SPLN1-20206	20 x 20 x 6.625	41	SPLN1P-2020	17 x 18.5
SPLN1-24166	24 x 16 x 6.625	39	SPLN1P-2416	21 x 14.5
SPLN1-24206	24 x 20 x 6.625	49	SPLN1P-2420	21 x 18.5
SPLN1-24246	24 x 24 x 6.625	59	SPLN1P-2424	21 x 22.5
SPLN1-30206	30 x 20 x 6.625	61	SPLN1P-3020	26 x 18.5
SPLN1-30246	30 x 24 x 6.625	74	SPLN1P-3024	26 x 22.5
SPLN1-36246	36 x 24 x 6.625	89	SPLN1P-3624	32 x 22.5
SPLN1-36306	36 x 30 x 6.625	111	SPLN1P-3630	32 x 28.5
SPLN1-16128	16 x 12 x 8.625	28	SPLN1P-1612	13 x 10.5
SPLN1-20168	20 x 16 x 8.625	28	SPLN1P-2016	17 x 14.5
SPLN1-20208	20 x 20 x 8.625	58	SPLN1P-2020	17 X 18.5
SPLN1-20248	20 x 24 x 8.625	69	SPLN1P-2024	17 x 22.5
SPLN1-24208	24 x 20 x 8.625	69	SPLN1P-2420	21 x 18.5
SPLN1-24248	24 x 24 x 8.625	83	SPLN1P-2424	21 x 22.5
SPLN1-30208	30 x 20 x 8.625	86	SPLN1P-3020	26 x 18.5
SPLN1-30308	30 x 30 x 8.625	130	SPLN1P-3030	26 x 28.5
SPLN1-30248	30 x 24 x 8.625	104	SPLN1P-3024	26 x 22.5
SPLN1-36248	36 x 24 x 8.625	125	SPLN1P-3624	32 x 22.5
SPLN1-36308	36 x 30 x 8.625	156	SPLN1P-3630	32 x 28.5
SPLN1-42248	42 x 24 x 8.625	145	SPLN1P-4224	38 x 22.5
SPLN1-242010	24 x 20 x 10.625	89	SPLN1P-2420	21 x 18.5
SPLN1-302410	30 x 24 x 10.625	134	SPLN1P-3024	26 x 22.5
SPLN1-363010	36 x 30 x 10.625	201	SPLN1P-3630	32 x 28.5
SPLN1-242412	24 x 24 x 12.625	131	SPLN1P-2424	21 x 22.5
SPLN1-363012	36 x 30 x 12.625	246	SPLN1P-3630	32 x 28.5

Note: Sub panels must be ordered separately. Reference page 121 for sub panel layout

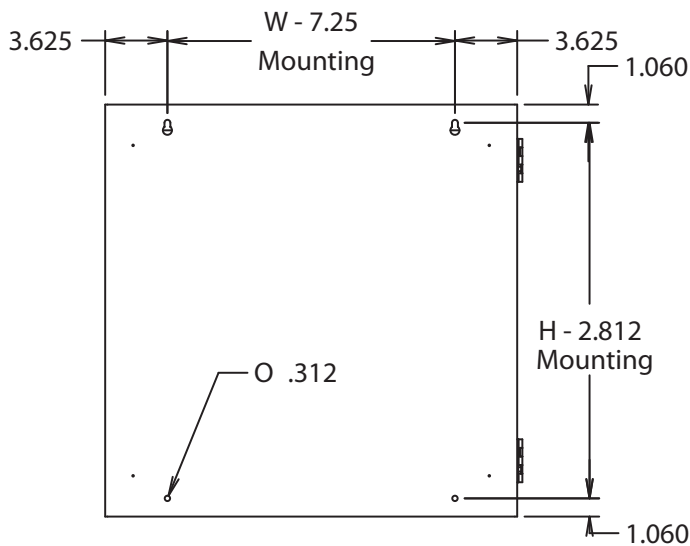
SPLN1



SECTION Y-Y



SECTION X-X

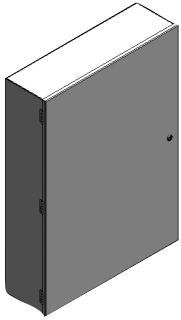


Note:

Enclosure Size	Sub panel Size
If H = 24 or less	W - 1.5 H - 3
If H = greater than 24	W - 1.5 H - 4

Type 1 Enclosures

Extra Large Hinge Cover Enclosures



APPLICATIONS - Designed to house electrical and electronic controls in areas not requiring oil-tight and dust-tight specifications.

CONSTRUCTION - Fabricated from 14 gauge carbon steel. Enclosures feature:

- Collar Studs for optional 12 or 14 gauge panels.
- Standard size cabinets have bolt on butt hinges in height dimension.

FINISH - Standard RAL 7035 texture polyester powder coat finish on interior and exterior of enclosures. Recoatable, smooth, white or ANSI-61 gray available at no charge. Standard RAL and custom match finishes available for an additional charge, please contact Schaefer's Electrical Enclosures, Inc. for further assistance.

All powder coat finishes applied over cleaned phosphatized surfaces. Carbon steel sub panels have a white polyester powder coat finish.

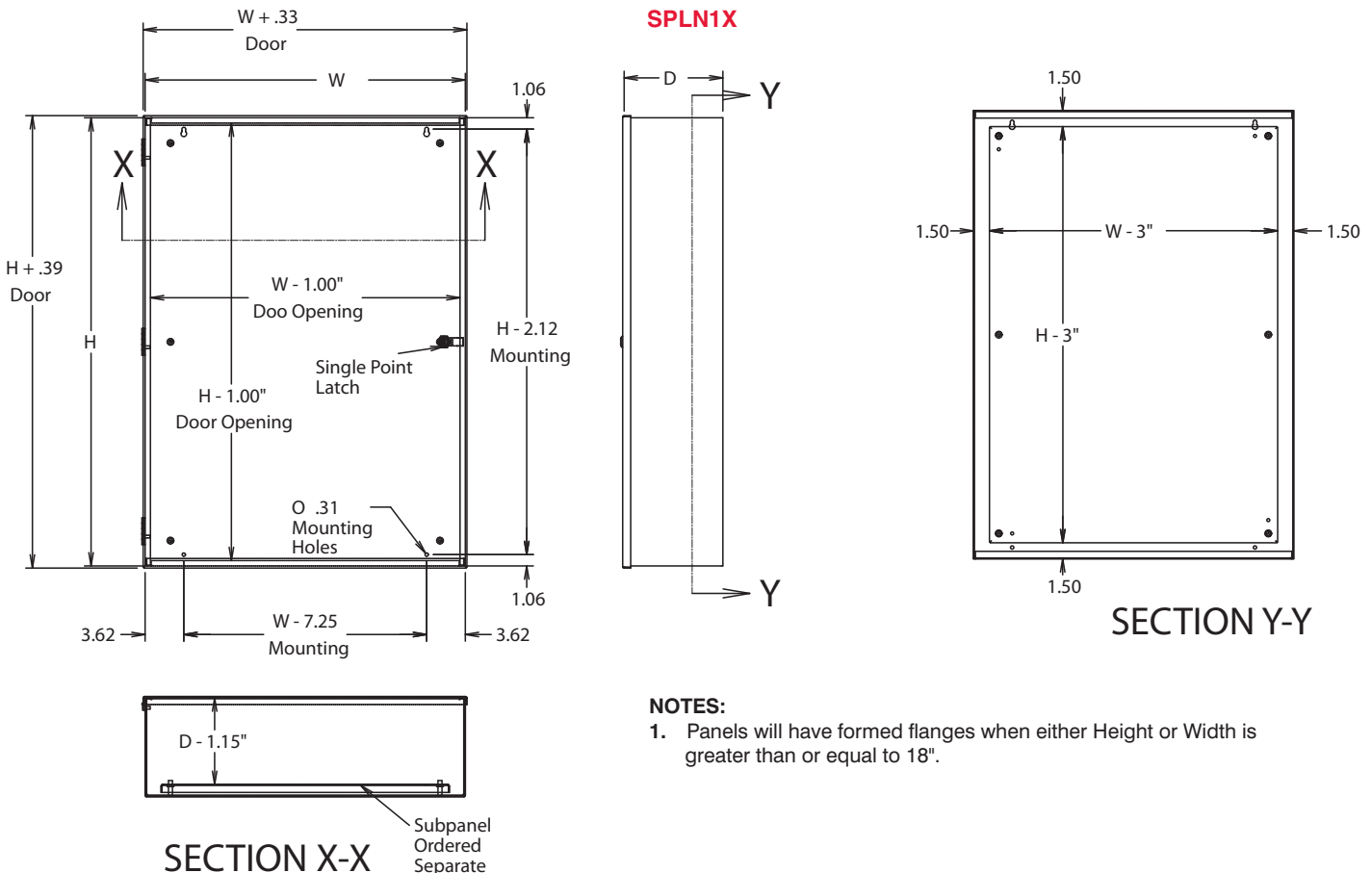
OPTIONS - Schaefer's Electrical Enclosures, Inc. can modify standard enclosures or custom design enclosures according to your specifications. Sizes and many more options are available. Quotations upon request.

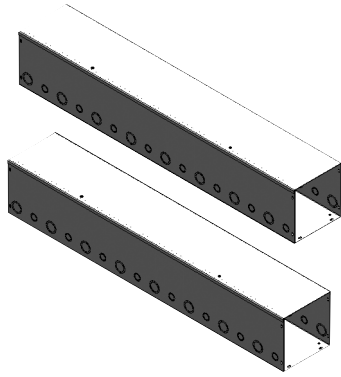
INDUSTRY STANDARDS

- UL 50 Listed
- Type 1

Catalog Number	Enclosure Size H x W x D (inches)	Shpg. Wt.	Sub Panel Part Number	Sub Panel Size H x W (inches)
SPLN1X-42309	42 x 30 x 9.25	100	SPP-4230	39 x 27
SPLN1X-42369	42 x 36 x 9.25	119	SPP-4236	39 x 33
SPLN1X-48369	48 x 36 x 9.25	135	SPP-4836	45 x 33
SPLN1X-423011	42 x 30 x 11.25	112	SPP-4230	39 x 27
SPLN1X-423611	42 x 36 x 11.25	130	SPP-4236	39 x 33
SPLN1X-483611	48 x 36 x 11.25	144	SPP-4836	45 x 33
SPLN1X-423013	42 x 30 x 13.25	124	SPP-4230	39 x 27
SPLN1X-423613	42 x 36 x 13.25	141	SPP-4236	39 x 33
SPLN1X-483613	48 x 36 x 13.25	154	SPP-4836	45 x 33
SPLN1X-483617	48 x 36 x 17.25	168	SPP-4836	45 x 33

Note: Sub panels must be ordered separately. Reference page 122 for sub panel layout





APPLICATIONS - To house electrical wiring where dust, dirt, oil and water are not serious problems.

CONSTRUCTION - Fabricated from 16 or 14 gauge carbon steel. Enclosures feature:

- Available with or without knockouts.

FINISH - Standard RAL 7035 texture polyester powder coat finish on interior and exterior of enclosures. Recoatable, smooth, white or ANSI-61 gray available at no charge. Standard RAL and custom match finishes available for an additional charge, please contact Schaefer's Electri-

cal Enclosures, Inc. for further assistance. All powder coat finishes applied over cleaned phosphatized surfaces.

OPTIONS - Schaefer's Electrical Enclosures, Inc. can modify standard enclosures or custom design enclosures according to your specifications. Sizes and many more options are available. Quotations upon request.

INDUSTRY STANDARDS

- UL 50 Listed
- Type 1

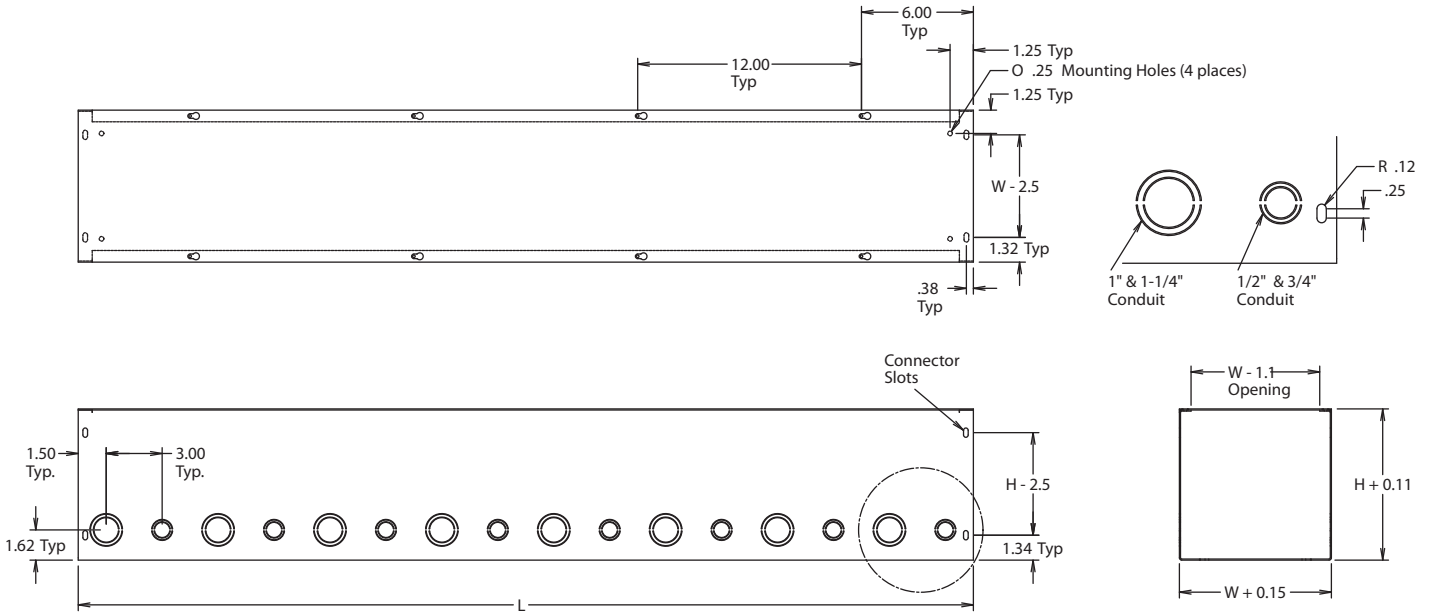
Catalog Number with Knockouts	Catalog Number without Knockouts	Catalog Number with Knockouts	Catalog Number without Knockouts	Product Size H x W x L (inches)	Shpg. Wt.
Lay-in Screw Cover Duct		Lay-in Hinge Cover Duct			
SPS-221	SPS-221N	SPH-221	SPH-221N	2.5 x 2.50 x 12	3
SPS-222	SPS-222N	SPH-222	SPH-222N	2.5 x 2.50 x 24	5
SPS-223	SPS-223N	SPH-223	SPH-223N	2.5 x 2.50 x 36	7
SPS-224	SPS-224N	SPH-224	SPH-224N	2.5 x 2.50 x 48	9
SPS-225	SPS-225N	SPH-225	SPH-225N	2.5 x 2.50 x 60	12
SPS-2210*	SPS-2210N*	SPH-2210*	SPH-2210N*	2.5 x 2.50 x 120	23
SPS-441	SPS-441N	SPH-441	SPH-441N	4 x 4 x 12	4
SPS-442	SPS-442N	SPH-442	SPH-442N	4 x 4 x 24	7
SPS-443	SPS-443N	SPH-443	SPH-443N	4 x 4 x 36	11
SPS-444	SPS-444N	SPH-444	SPH-444N	4 x 4 x 48	15
SPS-445	SPS-445N	SPH-445	SPH-445N	4 x 4 x 60	19
SPS-4410*	SPS-4410N*	SPH-4410*	SPH-4410N*	4 x 4 x 120	35
SPS-661	SPS-661N	SPH-661	SPH-661N	6 x 6 x 12	6
SPS-662	SPS-662N	SPH-662	SPH-662N	6 x 6 x 24	11
SPS-663	SPS-663N	SPH-663	SPH-663N	6 x 6 x 36	15
SPS-664	SPS-664N	SPH-664	SPH-664N	6 x 6 x 48	21
SPS-665	SPS-665N	SPH-665	SPH-665N	6 x 6 x 60	13
SPS-6610*	SPS-6610N*	SPH-6610*	SPH-6610N*	6 x 6 x 120	50
SPS-881	SPS-881N	SPH-881	SPH-881N	8 x 8 x 12	10
SPS-882	SPS-882N	SPH-882	SPH-882N	8 x 8 x 24	18
SPS-883	SPS-883N	SPH-883	SPH-883N	8 x 8 x 36	27
SPS-884	SPS-884N	SPH-884	SPH-884N	8 x 8 x 48	37
SPS-885	SPS-885N	SPH-885	SPH-885N	8 x 8 x 60	45
SPS-8810*	SPS-8810N*	SPH-8810*	SPH-8810N*	8 x 8 x 120	84
N/A	SPS-12121N	N/A	SPH-12121N	12 x 12 x 12	16
N/A	SPS-12122N	N/A	SPH-12122N	12 x 12 x 24	28
N/A	SPS-12123N	N/A	SPH-12123N	12 x 12 x 36	48
N/A	SPS-12124N	N/A	SPH-12124N	12 x 12 x 48	54
N/A	SPS-12125N	N/A	SPH-12125N	12 x 12 x 60	71
N/A	SPS-121210N*	N/A	SPH-121210N*	12 x 12 x 120	130

* 10' sections will be shipped as 2 - 5' sections with connector installed at the factory.

Type 1 Enclosures

Flangeless Lay-in Wireways

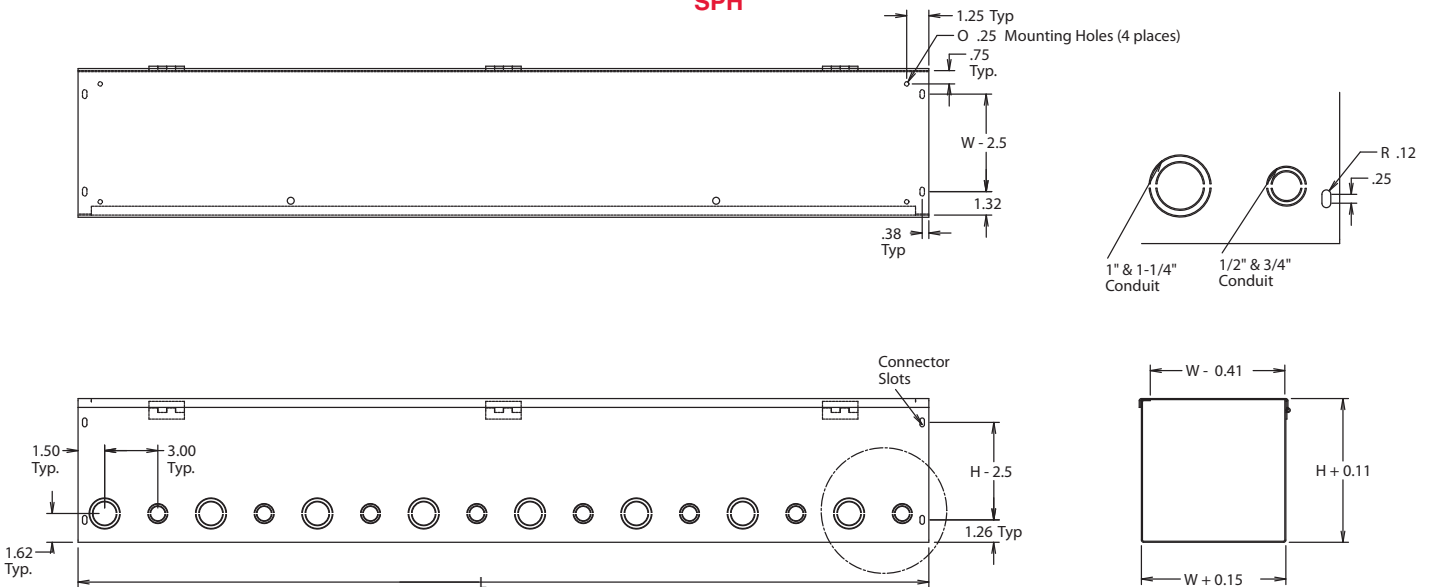
SPS



NOTES:

1. If H or W is 4" or less – The connector slots along that dimension will be reduced to 1 centered hole.
2. If H or W is 12" or more – The wireway will receive an additional connector slot centered along that dimension.
3. If the wireway L is 12" – The cover screws will be reduced to one centered in L.
4. Schaefer's Electrical Enclosures, Inc. standardly provides concentric knockouts.

SPH



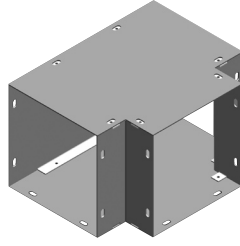
NOTES:

1. If H or W is 4" or less – The connector slots along that dimension will be reduced to 1 centered hole.
2. If H or W is 12" or more – The wireway will receive an additional connector slot centered along that dimension.
3. Schaefer's Electrical Enclosures, Inc. standardly provides concentric knockouts.

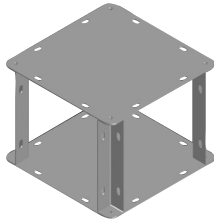
SPE End Cap



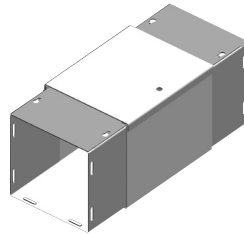
SPT Tee



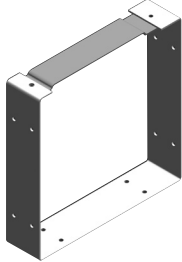
SPX Cross



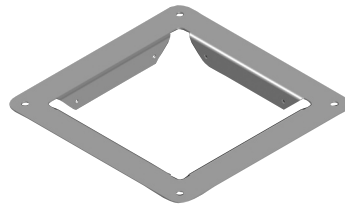
SPAF Telescope



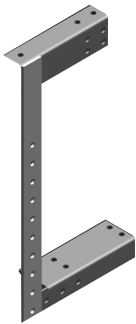
SPC Connector



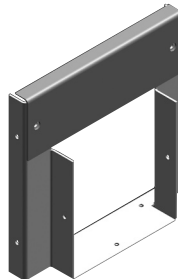
SPPA Panel Adapter



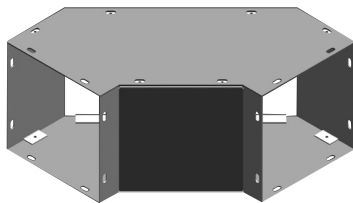
SPBH Hanger



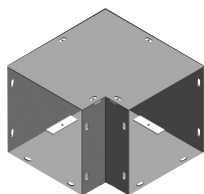
SPR Reducer



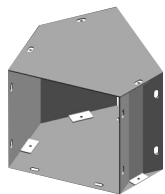
**SPSL Sweep Elbow
90 Degrees**



SPL Elbow - 90 Degrees



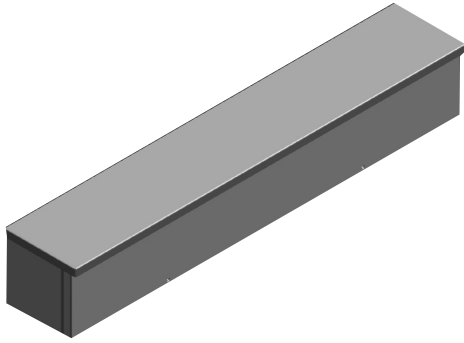
SPL Elbow - 45 Degrees



Catalog Number	Enclosure Size H x W (inches)	Shpg. Wt.
End Cap		
SPE-22	2.5 x 2.5	1
SPE-44	4 x 4	1
SPE-66	6 x 6	1
SPE-88	8 x 8	2
SPE-1212N	12 x 12	4
Tee		
SPT-22	2.5 x 2.5	2
SPT-44	4 x 4	3
SPT-66	6 x 6	5
SPT-88	8 x 8	9
SPT-1212	12 x 12	18
Cross		
SPX-22	2.5 x 2.5	2
SPX-44	4 x 4	3
SPX-66	6 x 6	6
SPX-88	8 x 8	8
SPX-1212	12 x 12	16
Telescope		
SPAF-22	2.5 x 2.5	4
SPAF-44	4 x 4	6
SPAF-66	6 x 6	8
SPAF-88	8 x 8	12
SPAF-1212	12 x 12	20
Connector		
SPC-22	2.5 x 2.5	1
SPC-44	4 x 4	1
SPC-66	6 x 6	1
SPC-88	8 x 8	1
SPC-1212	12 x 12	2
Panel Adapter		
SPPA-22	2.5 x 2.5	1
SPPA-44	4 x 4	1
SPPA-66	6 x 6	1
SPPA-88	8 x 8	1
SPPA-1212	12 x 12	2
Hanger		
SPBH-22	2.5 x 2.5	2
SPBH-44	4 x 4	2
SPBH-66	6 x 6	3
SPBH-88	8 x 8	3
SPBH-1212	12 x 12	8
Reducer		
SPR-42	4 to 2	1
SPR-64	6 to 4	1
SPR-86	8 to 6	2
SPR-128	12 to 8	3
SPR-1210	12 to 10	3
Sweep Elbow - 90 Degrees		
SPSL-2290	2.5 x 2.5	3
SPSL-4490	4 x 4	4
SPSL-6690	6 x 6	8
SPSL-8890	8 x 8	13
SPSL-121290	12 x 12	23
Elbow - 90 Degrees		
SPL-2290	2.5 x 2.5	2
SPL-4490	4 x 4	3
SPL-6690	6 x 6	5
SPL-8890	8 x 8	8
SPL-121290	12 x 12	19
Elbow - 45 Degrees		
SPL-2245	2.5 x 2.5	1
SPL-4445	4 x 4	2
SPL-6645	6 x 6	3
SPL-8845	8 x 8	7
SPL-121245	12 x 12	10

Type 3R Enclosures

Weatherproof Screw Cover Gutter



APPLICATIONS - To house electrical wiring where dust, dirt, oil and water are not serious problems.

CONSTRUCTION - Fabricated from 16 or 14 gauge galvanized steel. Enclosures feature:

- The removable cover is a slip-on style, fastened with screws located along the bottom edge. Mounting holes are located in back.

FINISH - Standard RAL 7035 texture polyester powder coat finish on interior and exterior of enclosures. Recoatable, smooth, white or ANSI-61 gray available at no charge. Standard RAL and custom match finishes available for an additional

charge, please contact Schaefer's Electrical Enclosures, Inc. for further assistance. All powder coat finishes applied over cleaned phosphatized surfaces.

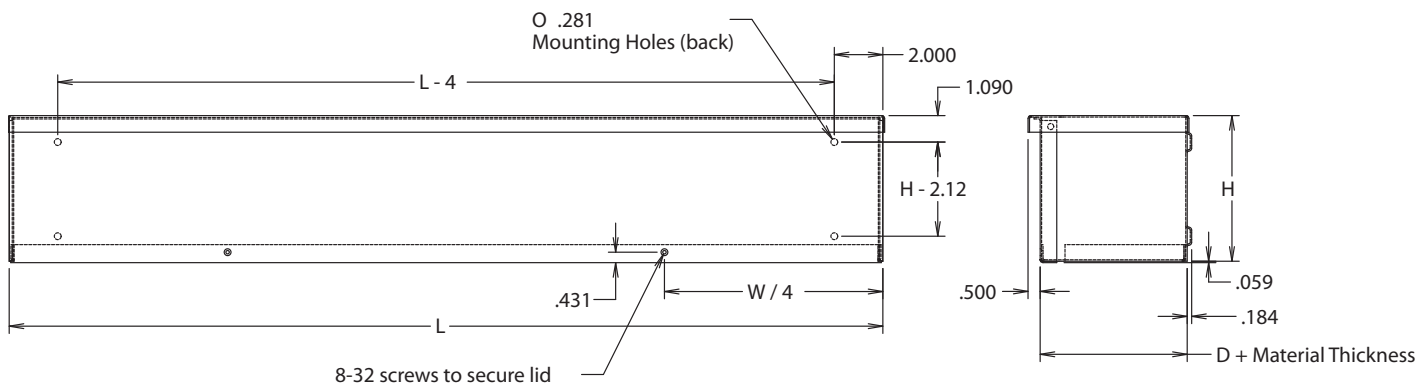
OPTIONS - Schaefer's Electrical Enclosures, Inc. can modify standard enclosures or custom design enclosures according to your specifications. Sizes and many more options are available. Quotations upon request.

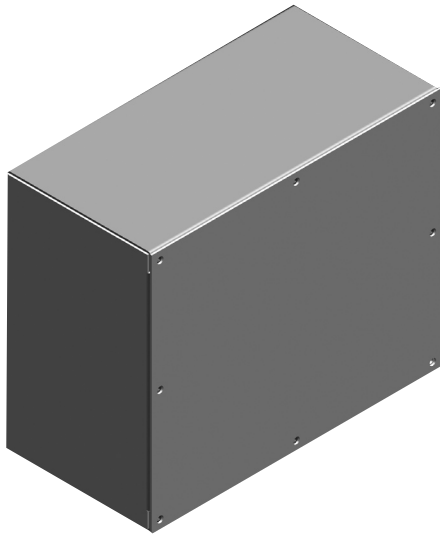
INDUSTRY STANDARDS

- UL 50 Listed
- Type 3R

Catalog Number	Enclosure Size H x D x L (inches)	Gauge	Shpg. Wt.
SPRSCG-4412	4 x 4 x 12	16	5
SPRSCG-4424	4 x 4 x 24	16	9
SPRSCG-4436	4 x 4 x 36	16	14
SPRSCG-4448	4 x 4 x 48	16	18
SPRSCG-4460	4 x 4 x 60	16	22
SPRSCG-4472	4 x 4 x 72	16	26
SPRSCG-6612	6 x 6 x 12	16	8
SPRSCG-6624	6 x 6 x 24	16	14
SPRSCG-6636	6 x 6 x 36	16	19
SPRSCG-6648	6 x 6 x 48	16	25
SPRSCG-6660	6 x 6 x 60	16	31
SPRSCG-6672	6 x 6 x 72	16	37
SPRSCG-8812	8 x 8 x 12	14	11
SPRSCG-8824	8 x 8 x 24	14	18
SPRSCG-8836	8 x 8 x 36	14	25
SPRSCG-8848	8 x 8 x 48	14	34
SPRSCG-8860	8 x 8 x 60	14	42
SPRSCG-8872	8 x 8 x 72	14	49

SPRSCG





- Most requirements of NEMA 3 and 4 are met, so they can be used indoor and outdoor, wherever moisture or dust is a problem.
- Captivated cover screws thread into sealed wells to hold the cover in place, preventing dust, liquids, etc. from entering into the enclosure.

FINISH - Standard RAL 7035 texture polyester powder coat finish on interior and exterior of enclosures. Recoatable, smooth, white or ANSI-61 gray available at no charge. Standard RAL and custom match finishes available for an additional

charge, please contact Schaefer's Electrical Enclosures, Inc. for further assistance. All powder coat finishes applied over cleaned phosphatized surfaces.

OPTIONS - Schaefer's Electrical Enclosures, Inc. can modify standard enclosures or custom design enclosures according to your specifications. Materials and many more options are available. Quotations upon request.

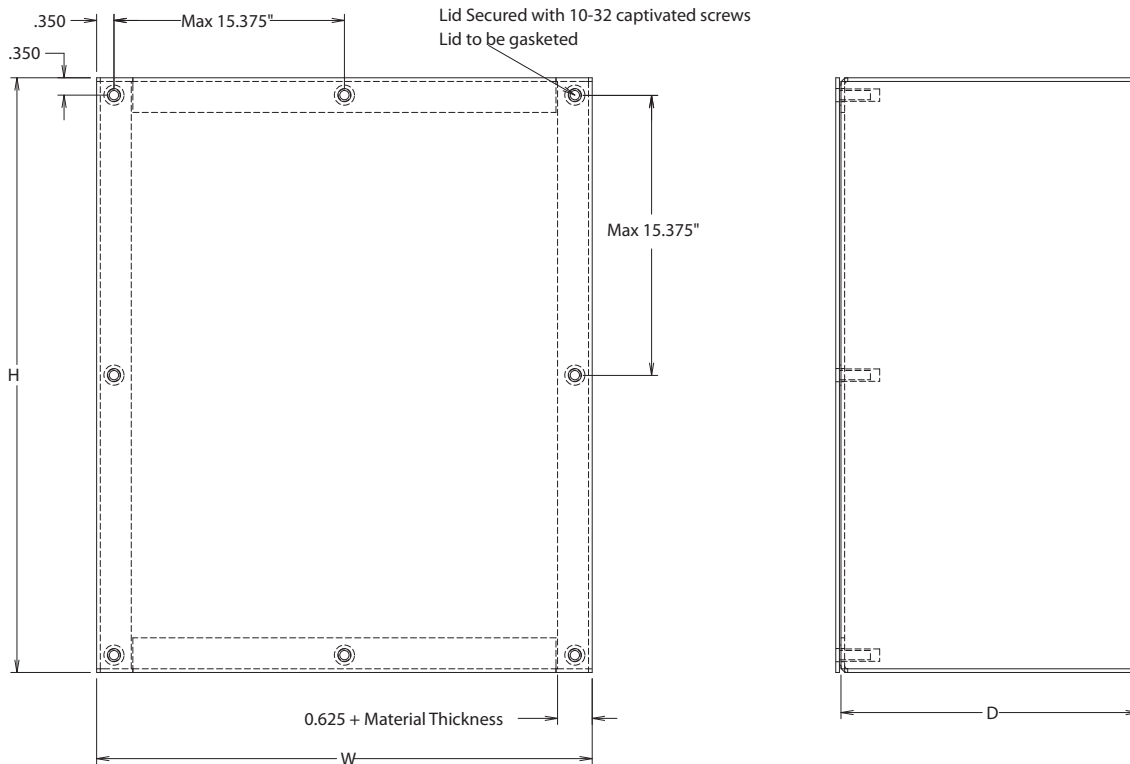
Disclaimer: Schaefer's Electrical Enclosures, Inc. fabricates SPMP's to meet most Nema 3 and 4 requirements. However, at this time these enclosures haven't been tested and will not receive an UL label.

APPLICATIONS - Junction boxes, pull boxes, terminal boxes, wiring boxes, etc.

CONSTRUCTION - Fabricated from 12 or 14 gauge galvaneal with continuously welded seams.

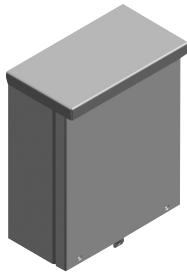
Catalog Number	Enclosure Size	Gauge	Shpg. Wt.
	H x D x L (inches)		
SPMP-664	6 x 6 x 4	14	4
SPMP-864	8 x 6 x 4	14	5
SPMP-884	8 x 8 x 4	14	7
SPMP-1084	10 x 8 x 4	14	8
SPMP-10104	10 x 10 x 4	14	10
SPMP-12106	12 x 10 x 6	14	13
SPMP-12126	12 x 12 x 6	14	14
SPMP-16126	16 x 12 x 6	14	18
SPMP-16166	16 x 16 x 6	14	23
SPMP-20166	20 x 16 x 6	14	26
SPMP-20208	20 x 20 x 8	14	35
SPMP-24208	24 x 20 x 8	14	40
SPMP-24248	24 x 24 x 8	14	46
SPMP-30248	30 x 24 x 8	14	57
SPMP-362410	36 x 24 x 10	14	73
SPMP-363012	36 x 30 x 12	12	115
SPMP-363612	36 x 36 x 12	12	135

SPMP



Type 3R Enclosures

Rainproof Screw Cover Enclosure



APPLICATIONS - Junction boxes, pull boxes, terminal boxes, wiring boxes, etc.

CONSTRUCTION - Fabricated from 12, 14, or 16 gauge galvaneal. Enclosures

feature:

- Knockouts are furnished in the bottom of 14 and 16 gauge enclosures.
- Knockouts are not furnished on special order enclosures.
- These enclosures do not have sub panel mounting provisions.

FINISH - Standard RAL 7035 texture polyester powder coat finish on interior and exterior of enclosures. Recoatable, smooth, white or ANSI-61 gray available at no charge. Standard RAL and custom match finishes available for an additional charge, please contact Schaefer's Electrical Enclosures, Inc. for further assistance.

All powder coat finishes applied over cleaned phosphatized surfaces.

OPTIONS - Schaefer's Electrical Enclosures, Inc. can modify standard enclosures or custom design enclosures according to your specifications. Materials and many more options are available. Quotations upon request.

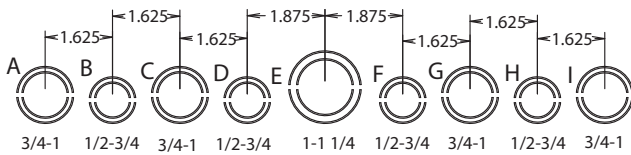
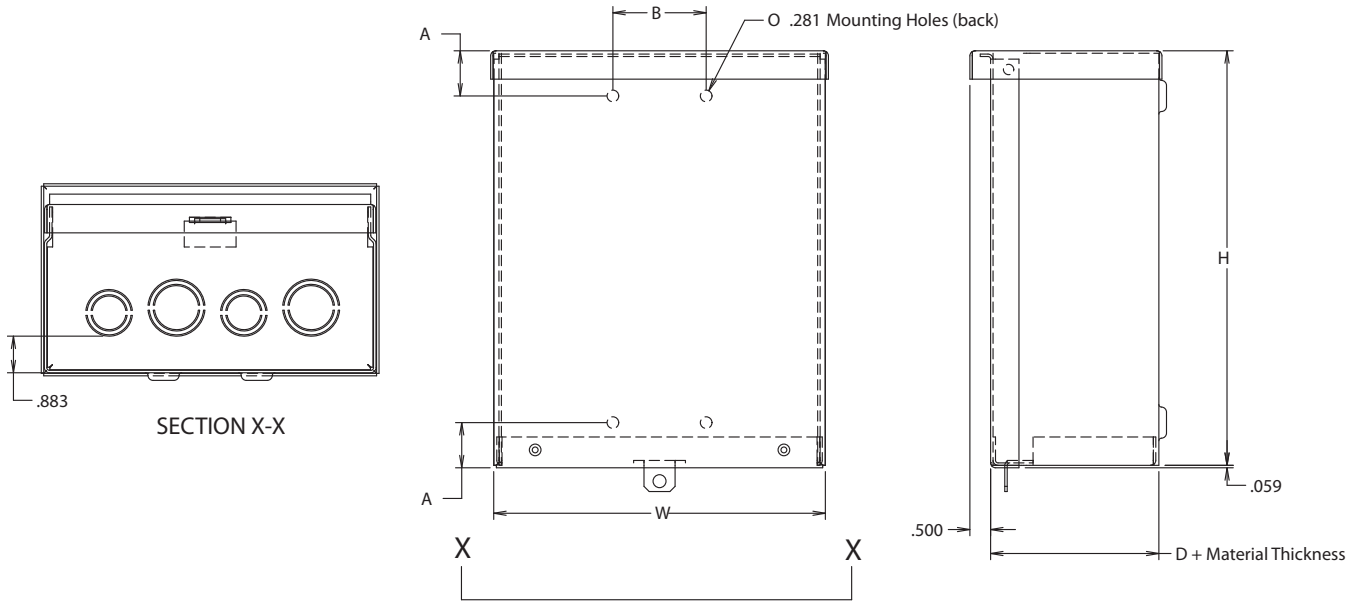
INDUSTRY STANDARDS

- UL 50 Listed
- Type 3R

Catalog	Enclosure Size H x W x D (inches)	Gauge	Shpg. Wt.	Mounting Hole Location		Knockout Pattern
				A	B	
SPRSC-444	4 x 4 x 4	16	3	1.06	1.88	B-C
SPRSC-644	6 x 4 x 4	16	3	1.06	1.88	B-C
SPRSC-664	6 x 6 x 4	16	4	1.06	2.25	B-C-D
SPRSC-864	8 x 6 x 4	16	5	1.06	2.25	B-C-D
SPRSC-884	8 x 8 x 4	16	6	1.06	2.25	F-G-H-I
SPRSC-1084	10 x 8 x 4	16	6	1.06	2.25	F-G-H-I
SPRSC-10104	10 x 10 x 4	16	8	1.06	2.25	C-D-E-F-G
SPRSC-1264	12 x 6 x 4	16	6	1.06	2.25	B-C-D
SPRSC-1284	12 x 8 x 4	16	7	1.06	2.25	F-G-H-I
SPRSC-12104	12 x 10 x 4	16	9	1.06	2.25	C-D-E-F-G
SPRSC-12124	12 x 12 x 4	16	10	1.06	2.25	C-D-E-F-G
SPRSC-15124	15 x 12 x 4	16	12	1.06	2.25	C-D-E-F-G
SPRSC-18124	18 x 12 x 4	16	13	1.06	2.25	C-D-E-F-G
SPRSC-24154	24 x 15 x 4	16	20	1.12	2.25	A-B-C-D-E-F-G-H-I
SPRSC-24184	24 x 18 x 4	16	25	1.12	13.00	A-B-C-D-E-F-G-H-I
SPRSC-666	6 x 6 x 6	16	5	1.06	2.25	B-C-D
SPRSC-866	8 x 6 x 6	16	6	1.06	2.25	B-C-D
SPRSC-886	8 x 8 x 6	16	7	1.06	2.25	F-G-H-I
SPRSC-1086	10 x 8 x 6	16	8	1.06	2.25	F-G-H-I
SPRSC-10106	10 x 10 x 6	16	9	1.06	2.25	C-D-E-F-G
SPRSC-1266	12 x 6 x 6	16	7	1.06	2.25	B-C-D
SPRSC-1286	12 x 8 x 6	16	9	1.06	2.25	F-G-H-I
SPRSC-12106	12 x 10 x 6	16	10	1.06	2.25	C-D-E-F-G
SPRSC-12126	12 x 12 x 6	16	11	1.06	2.25	C-D-E-F-G
SPRSC-12186	12 x 18 x 6	16	19	1.12	13.00	A-B-C-D-E-F-G-H-I
SPRSC-15126	15 x 12 x 6	16	14	1.06	2.25	C-D-E-F-G
SPRSC-18126	18 x 12 x 6	16	15	1.06	2.25	C-D-E-F-G
SPRSC-18156	18 x 15 x 6	16	18	1.12	2.25	A-B-C-D-E-F-G-H-I
SPRSC-18186	18 x 18 x 6	16	21	1.12	13.00	A-B-C-D-E-F-G-H-I
SPRSC-24126	24 x 12 x 6	16	27	1.12	2.25	C-D-E-F-G
SPRSC-24156	24 x 15 x 6	16	22	1.12	2.25	A-B-C-D-E-F-G-H-I
SPRSC-24186	24 x 18 x 6	14	31	1.12	13.00	A-B-C-D-E-F-G-H-I
SPRSC-12128	12 x 12 x 8	16	13	1.06	2.25	C-D-E-F-G
SPRSC-18128	18 x 12 x 8	16	19	1.12	2.25	C-D-E-F-G
SPRSC-18158	18 x 15 x 8	16	25	1.12	2.25	A-B-C-D-E-F-G-H-I
SPRSC-18188	18 x 18 x 8	16	25	1.12	13.00	A-B-C-D-E-F-G-H-I
SPRSC-24188	24 x 18 x 8	14	38	1.12	13.00	A-B-C-D-E-F-G-H-I
SPRSC-24248*	24 x 24 x 8	14	49	1.12	13.00	A-B-C-D-E-F-G-H-I
SPRSC-30248*	30 x 24 x 8	14	58	1.12	13.00	A-B-C-D-E-F-G-H-I
SPRSC-121210	12 x 12 x 10	16	16	1.12	2.25	C-D-E-F-G
SPRSC-161610	16 x 16 x 10	16	30	1.12	13.00	A-B-C-D-E-F-G-H-I
SPRSC-181812	18 x 18 x 12	16	38	1.12	13.00	A-B-C-D-E-F-G-H-I
SPRSC-241812	24 x 18 x 12	14	46	1.12	13.00	A-B-C-D-E-F-G-H-I
SPRSC-242412*	24 x 24 x 12	14	68	1.12	13.00	A-B-C-D-E-F-G-H-I
SPRSC-362412*	36 x 24 x 12	12	128	1.50	13.00	-
SPRSC-363012*	36 x 30 x 12	12	152	1.50	27.00	-
SPRSC-423612*	42 x 36 x 12	12	200	1.50	33.00	-
SPRSC-483612*	48 x 36 x 12	12	220	1.50	33.00	-
SPRSC-242416*	24 x 24 x 16	14	67	1.50	13.00	-
SPRSC-303016*	30 x 30 x 16	12	150	1.50	27.00	-
SPRSC-363616*	36 x 36 x 16	12	201	1.50	33.00	-

*Handles are included.

SPRSC - 14 - 16 Gauge

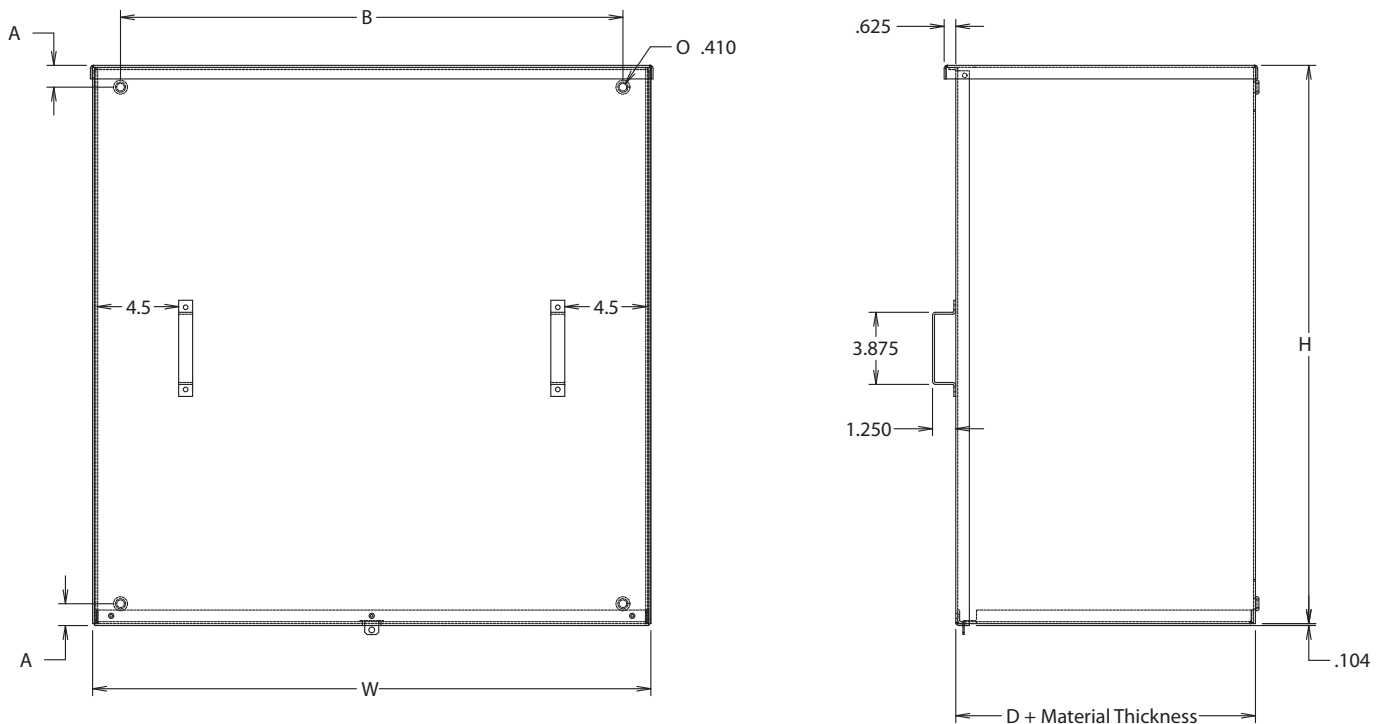


Knockout Pattern (from out side of box)

NOTES:

- Schaefer's Electrical Enclosures, Inc. standary provides concentric knockouts.

SPRSC - 12 Gauge



Type 3R Enclosures

Rainproof Lift-off Hinge Cover Enclosure



APPLICATIONS - Junction boxes, pull boxes, terminal boxes, wiring boxes, etc.

CONSTRUCTION - Fabricated from 16 or 14 gauge carbon steel. Mounting feet are fabricated from 12 gauge galvanized steel. Enclosures feature:

- The door is hinged on left side with lift-off hinges.

FINISH - Standard RAL 7035 texture polyester powder coat finish on interior and exterior of enclosures. Recoatable, smooth, white or ANSI-61 gray available at no charge. Standard RAL and custom match finishes available for an additional charge, please contact Schaefer's Electrical Enclosures, Inc. for further assistance.

All powder coat finishes applied over cleaned phosphatized surfaces. Carbon steel sub panels have a white polyester powder coat finish.

OPTIONS - Schaefer's Electrical Enclosures, Inc. can modify standard enclosures or custom design enclosures according to your specifications. Materials and many more options are available. Quotations upon request.

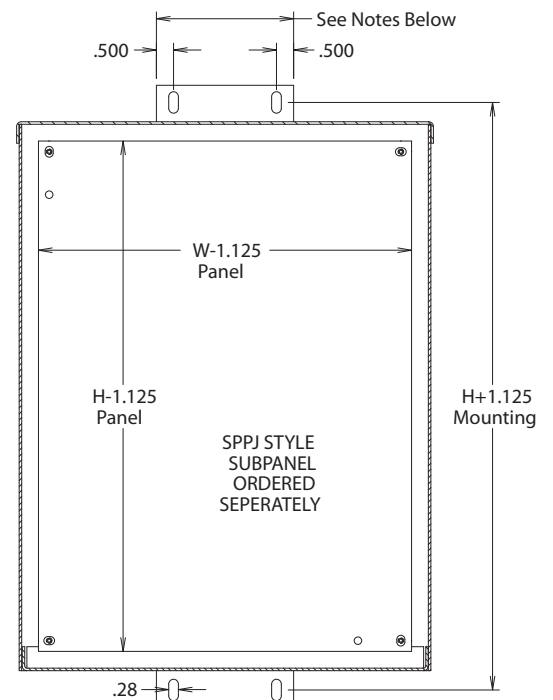
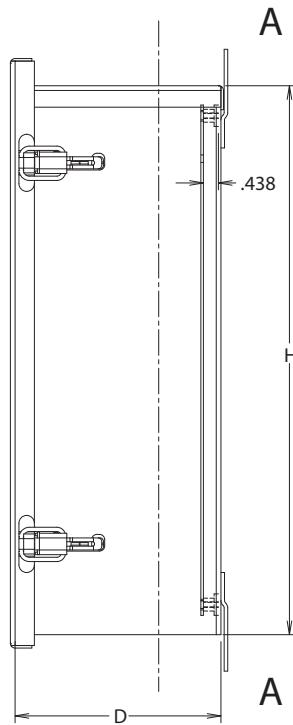
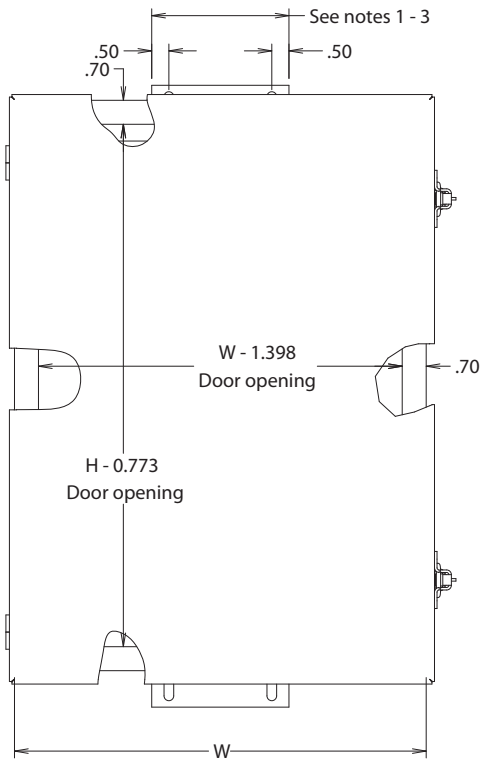
INDUSTRY STANDARDS

- UL 50 Listed
- Type 3R

Catalog Number	Product Size H x W x D (inches)	Gauge	Shpg. Wt.	Sub Panel Part Number	Sub Panel Size H x W (inches)
SPLOH-864	8 x 6 x 4	16	6	SPPJ-66	4.88 x 4.88
SPLOH-886	8 x 8 x 6	16	7	SPPJ-68	4.88 x 6.88
SPLOH-1086	10 x 8 x 6	16	9	SPPJ-88	6.88 x 6.88
SPLOH-12106	12 x 10 x 6	16	11	SPPJ-1010	8.88 x 8.88
SPLOH-12126	12 x 12 x 6	16	13	SPPJ-1012	8.88 x 10.88
SPLOH-16126	16 x 12 x 6	14	16	SPPJ-1412	12.88 x 10.88
SPLOH-16166	16 x 16 x 6	14	25	SPP-1616	13 x 13
SPLOH-20166	20 x 16 x 6	14	29	SPP-2016	17 x 13
SPLOH-20208	20 x 20 x 8	14	38	SPP-2020	17 x 17
SPLOH-24208	24 x 20 x 8	14	45	SPP-2420	21 x 17
SPLOH-24248	24 x 24 x 8	14	49	SPP-2424	21 x 21
SPLOH-30248	30 x 24 x 8	14	60	SPP-3024	27 x 21

Note: Sub panels must be ordered separately. Reference page 121 & 122 for sub panel layout

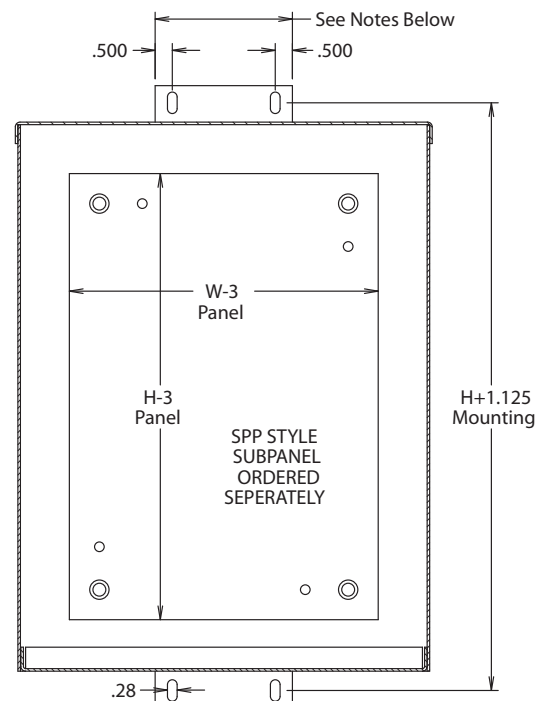
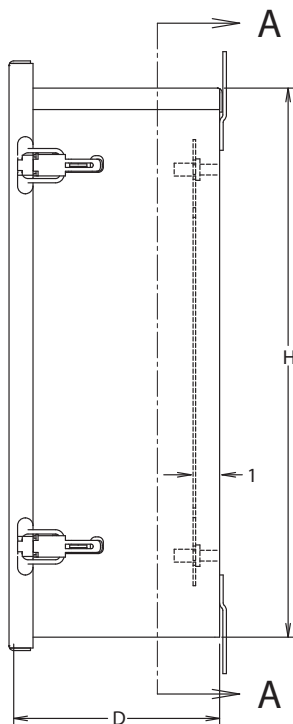
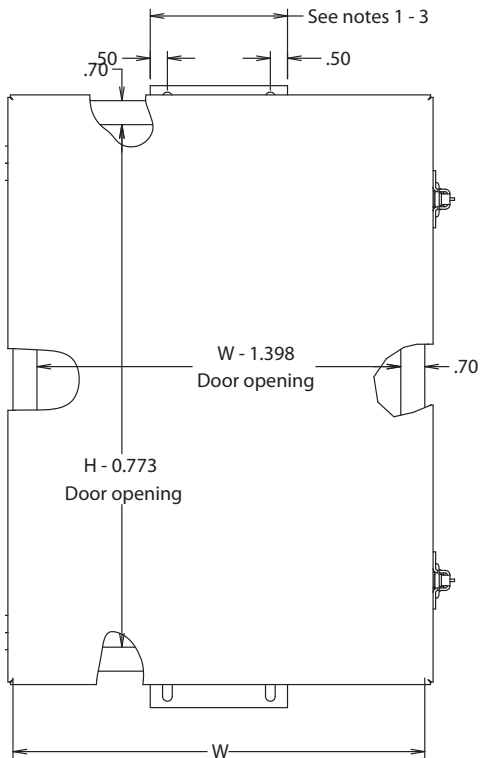
SPLOH



SECTION A-A

NOTES:

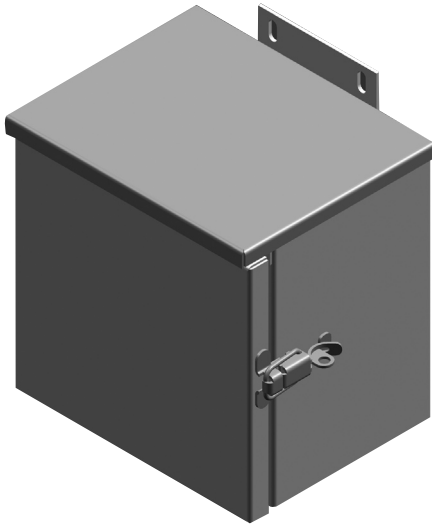
1. When W is equal to or less than 16" the mounting foot width will be 5".
2. When W is 16" to 29" the mounting foot width will be 14".
3. When W is equal to or greater than 30" the mounting foot width will be 28".
4. Enclosures will receive 3 latches when H is equal to or greater than 20".



SECTION A-A

Type 3R Enclosures

Rainproof Small Single Door Hinge Cover



APPLICATIONS - Designed for both indoor and outdoor use to protect against rain, sleet, snow and dripping water.

CONSTRUCTION - Fabricated from 16 gauge carbon steel, 14 gauge type 304 or type 316 stainless steel. Enclosure features:

- Drip shield lid and seam-free sides, front and back
- Door secured with heavy-duty continuous hinge with removable hinge pin and padlockable draw latch
- Knockouts provided on bottom of enclosure except for stainless steel
- External mounting plates on top and bottom of enclosure for wall or machinery mounting
- Weld Nuts are provided for optional sub panel mounting

FINISH - Standard RAL 7035 texture polyester powder coat finish on interior and exterior of enclosures. Recoatable, smooth, white or ANSI-61 gray available at no charge. Standard RAL and custom match finishes available for an additional charge, please contact Schaefer's Electrical Enclosures, Inc. for further assistance. All powder coat finishes applied over cleaned phosphatized surfaces. Carbon steel sub-panels have a white polyester powder coat finish. Stainless Steel enclosures have a polished #4 finish.

OPTIONS - Schaefer's Electrical Enclosures, Inc. can custom design enclosures according to your specifications. Holes, cutouts, louvers, sizes, materials, and many more options are available. Quotations upon request.

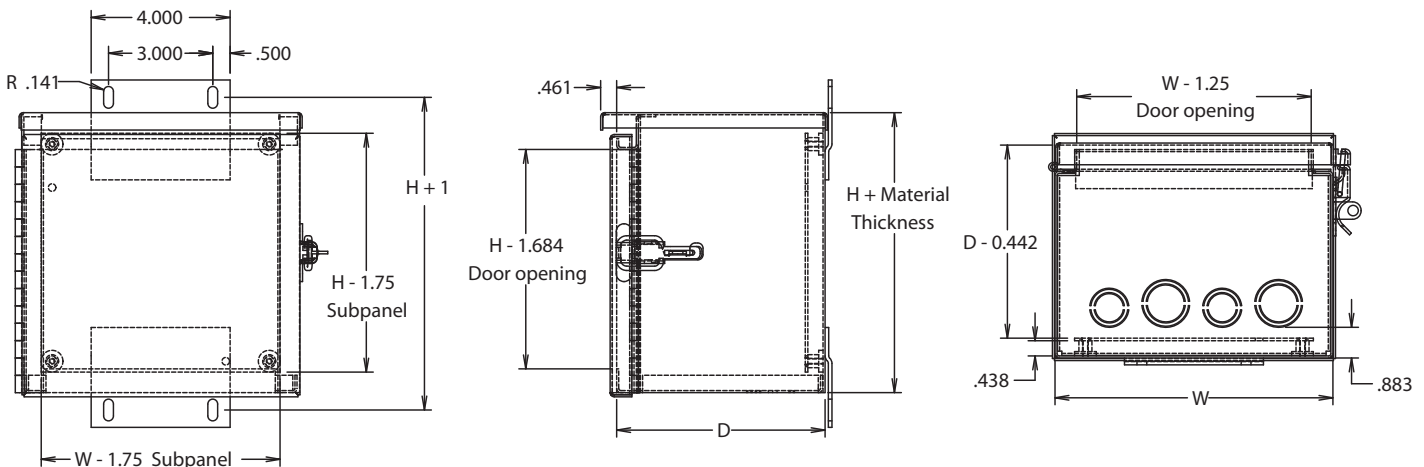
INDUSTRY STANDARDS

- UL 50 Listed
- Type 3R

Carbon Steel #	Catalog Number		Enclosure Size H x W x D (inches)	Shpg. Wt.	Knockout Pattern	Sub Panel Part Number	Sub Panel Size (inches)
	304 Stainless Steel #	316 Stainless Steel #					
SPRHC-664	SPRHCSS-664N	SPRHCSS6-664N	6 x 6 x 4	5	B-C-D	SPN1P-66	4.25 x 4.25
SPRHC-864	SPRHCSS-864N	SPRHCSS6-864N	8 x 6 x 4	6	B-C-D	SPN1P-86	6.25 x 4.25
SPRHC-884	SPRHCSS-884N	SPRHCSS6-884N	8 x 8 x 4	7	F-G-H-I	SPN1P-88	6.25 x 6.25
SPRHC-886	SPRHCSS-886N	SPRHCSS6-886N	8 x 8 x 6	8	F-G-H-I	SPN1P-88	6.25 x 6.25
SPRHC-1086	SPRHCSS-1086N	SPRHCSS6-1086N	10 x 8 x 6	9	F-G-H-I	SPN1P-108	8.25 x 6.25
SPRHC-12106	SPRHCSS-12106N	SPRHCSS6-12106N	12 x 10 x 6	12	C-D-E-F-G	SPN1P-1210	10.25 x 8.25
SPRHC-12126	SPRHCSS-12126N	SPRHCSS6-12126N	12 x 12 x 6	13	C-D-E-F-G	SPN1P-1212	10.25 x 10.25

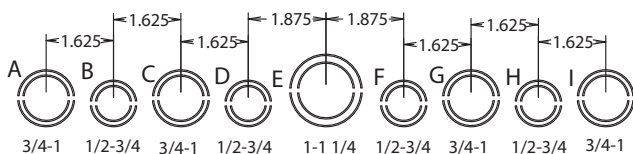
Note: Sub panels must be ordered separately. Reference page 121 for sub panel layout
Knockouts are not available on stainless steel.

SPRHC • SPRHCSS • SPRHCSS6

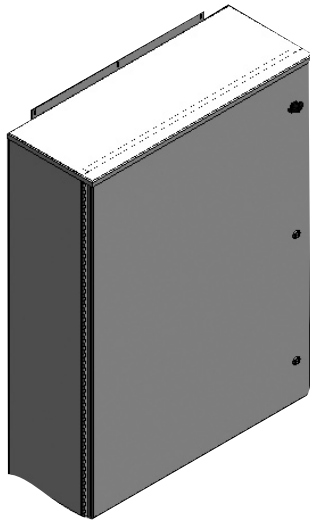


NOTES:

1. SPRHC's will receive an additional latch at 8" or more.
2. Schaefer's Electrical Enclosures, Inc. standardly provides concentric knockouts.



Knockout Pattern (from out side of box)



APPLICATIONS - Designed for both indoor and outdoor use to protect against rain, sleet, snow and dripping water.

CONSTRUCTION - Fabricated from 14 gauge carbon steel, type 304 stainless steel or type 316 stainless steel. Enclosure features:

- Drip shield lid and seam-free sides, front and back
- Door secured with heavy-duty continuous hinge with removable hinge pin
- External mounting plates on top and bottom of enclosure for wall or machinery mounting
- Collar studs are provided for optional sub-panel mounting
- Door and body stiffeners for extra rigidity where needed
- Quarterturn latches with one padlocking wing latch at top on right.

FINISH - Standard RAL 7035 texture polyester powder coat finish on interior and exterior of enclosures. Recoatable, smooth, white or ANSI-61 gray available at no charge. Standard RAL and custom match finishes available for an additional charge, please contact Schaefer's Electrical Enclosures, Inc. for further assistance. All powder coat finishes applied over cleaned phosphatized surfaces. Carbon steel sub-panels have a white polyester powder coat finish. Stainless Steel enclosures have a polished #4 finish.

OPTIONS - Schaefer's Electrical Enclosures, Inc. can custom design enclosures according to your specifications. Special finishes, holes, cutouts, louvers, sizes, materials, and many more options are available. Quotations upon request.

INDUSTRY STANDARDS

- UL 50 Listed
- Type 3R

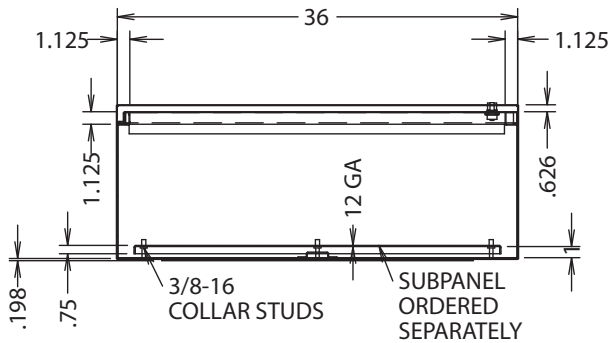
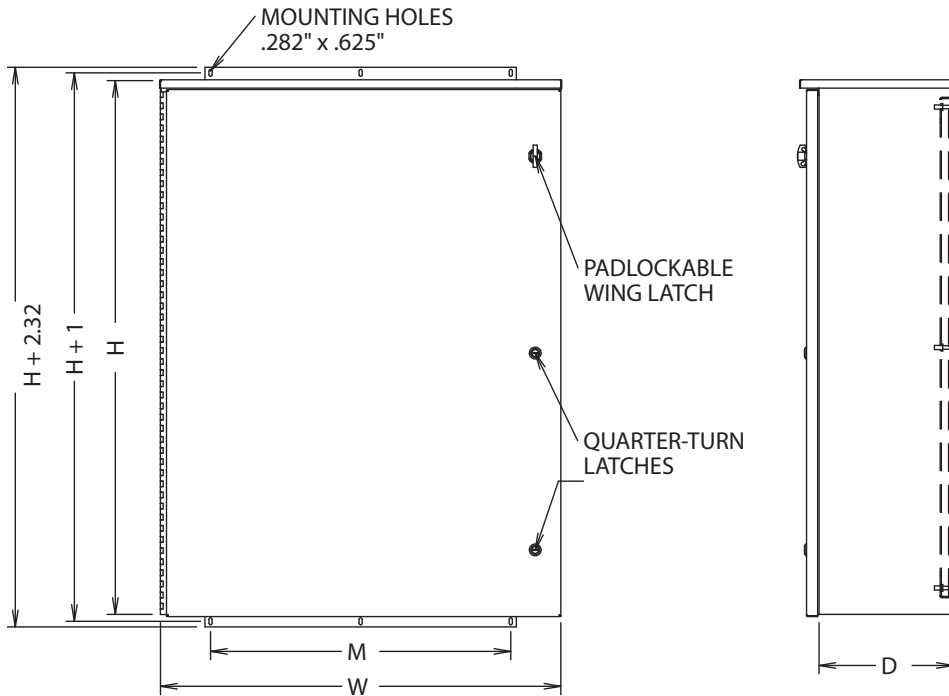
Carbon Steel #	Catalog Number		Enclosure Size (H x W x D) (inches)	Shpg. Wt.	Sub Panel Part Number	Sub Panel Size (inches)	Mounting (inches) M	Body Stiffeners	
	304 Stainless Steel #	316 Stainless Steel #						Back	Door
SPLRHC-16126	SPLRHCSS-16126	SPLRHCSS6-16126	16 x 12 x 6	22.00	SPP-1612	13 x 9	5	-	-
SPLRHC-16166	SPLRHCSS-16166	SPLRHCSS6-16166	16 x 16 x 6	28.00	SPP-1616	13 x 13	14	-	-
SPLRHC-20166	SPLRHCSS-20166	SPLRHCSS6-20166	20 x 16 x 6	33.00	SPP-2016	17 x 13	14	-	-
SPLRHC-20208	SPLRHCSS-20208	SPLRHCSS6-20208	20 x 20 x 8	43.00	SPP-2020	17 x 17	14	-	-
SPLRHC-24208	SPLRHCSS-24208	SPLRHCSS6-24208	24 x 20 x 8	49.00	SPP-2420	21 x 17	14	-	-
SPLRHC-24248	SPLRHCSS-24248	SPLRHCSS6-24248	24 x 24 x 8	57.00	SPP-2424	21 x 21	14	-	-
SPLRHC-30248	SPLRHCSS-30248	SPLRHCSS6-30248	30 x 24 x 8	65.00	SPP-3024	27 x 21	14	-	-
SPLRHC-303012	SPLRHCSS-303012	SPLRHCSS6-303012	30 x 30 x 12	94.00	SPP-3030	27 x 27	28	-	-
SPLRHC-362412	SPLRHCSS-362412	SPLRHCSS6-362412	36 x 24 x 12	85.00	SPP-3624	33 x 21	14	-	-
SPLRHC-363012	SPLRHCSS-363012	SPLRHCSS6-363012	36 x 30 x 12	105.00	SPP-3630	33 x 27	28	1	-
SPLRHC-363612	SPLRHCSS-363612	SPLRHCSS6-363612	36 x 36 x 12	122.00	SPP-3636	33 x 33	31	1	1
SPLRHC-423012	SPLRHCSS-423012	SPLRHCSS6-423012	42 x 30 x 12	121.00	SPP-4230	39 x 27	28	1	-
SPLRHC-423612	SPLRHCSS-423612	SPLRHCSS6-423612	42 x 36 x 12	136.00	SPP-4236	39 x 33	31	1	1
SPLRHC-483612	SPLRHCSS-483612	SPLRHCSS6-483612	48 x 36 x 12	153.00	SPP-4836	45 x 33	31	1	1
SPLRHC-603612	SPLRHCSS-603612	SPLRHCSS6-603612	60 x 36 x 12	170.00	SPP-6036	57 x 33	31	1	1
SPLRHC-303016	SPLRHCSS-303016	SPLRHCSS6-303016	30 x 30 x 16	98.00	SPP-3030	27 x 27	28	-	-
SPLRHC-483616	SPLRHCSS-483616	SPLRHCSS6-483616	48 x 36 x 16	160.00	SPP-4836	45 x 33	31	1	1
SPLRHC-603616	SPLRHCSS-603616	SPLRHCSS6-603616	60 x 36 x 16	175.00	SPP-6036	57 x 33	31	1	1

Note: Sub panels must be ordered separately. Reference page 122 for sub panel layout

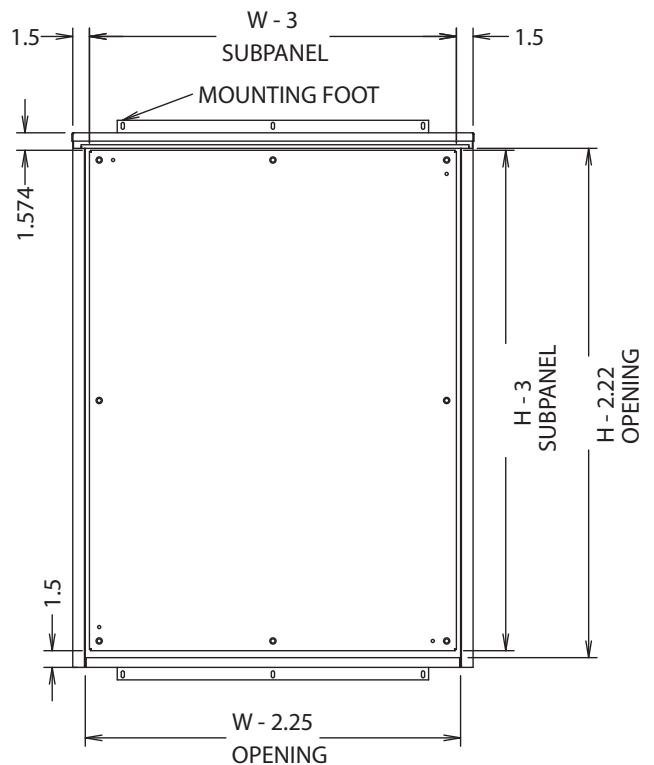
Type 3R Enclosures

Rainproof Large Hinge Cover

SPLRHC • SPLRHCS • SPLRHCS6

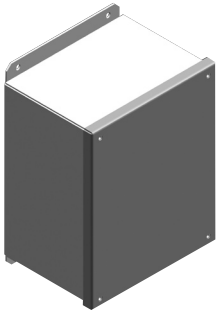


SECTION X-X



NOTES:

1. Panels will have formed flanges when either Height or Width is greater than 18".



APPLICATIONS - For housing electrical controls, terminals, and instruments and to provide protection from dust, dirt, oil and water.

CONSTRUCTION - Fabricated from 14 or 16 gauge carbon steel, type 304 stainless

steel and type 316 stainless steel. Enclosure features:

- Lids secured with captivated cover screws threaded into sealed wells.
- Oil resistant gasket applied to the doors.
- External mounting feet for wall or machinery mounting.
- Weld nuts for mounting optional sub panel.

FINISH - Standard RAL 7035 texture polyester powder coat finish on interior and exterior of enclosures. Recoatable, smooth, white or ANSI-61 gray available at no charge. Standard RAL and custom match finishes available for an additional charge, please contact Schaefer's Electrical Enclosures, Inc. for further assistance.

All powder coat finishes applied over cleaned phosphatized surfaces. Carbon steel sub panels have a white polyester powder coat finish. Stainless Steel enclosures have a polished #4 finish.

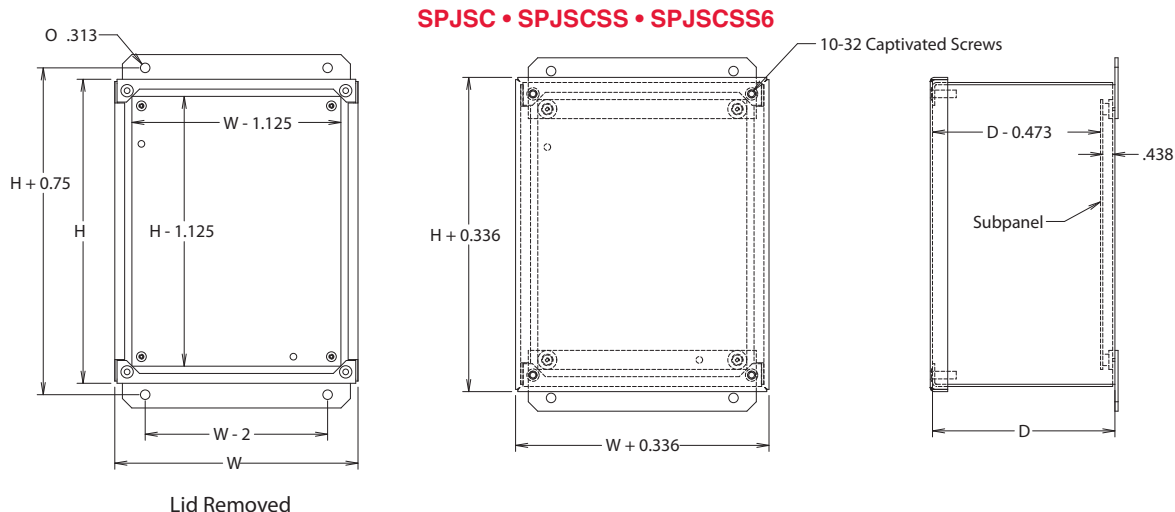
OPTIONS - Schaefer's Electrical Enclosures, Inc. can modify standard enclosures or custom design enclosures according to your specifications. Holes, cutouts, sizes, materials, and many more options are available. Quotations upon request.

INDUSTRY STANDARDS

- UL 50 Listed
- CUL 50 Listed
- Type 12

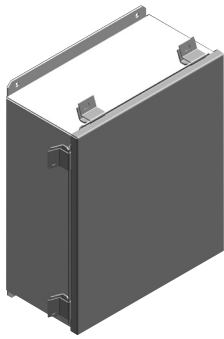
Catalog Number			Product Size H x W x D (inches)	Shpg. Wt.	Sub Panel Part #	Sub Panel Size H x W (inches)
Carbon Steel #	304 Stainless Steel #	316 Stainless Steel #				
SPJSC-443	SPJSCSS-443	SPJSCSS6-443	4 x 4 x 3	2	-	-
SPJSC-643	SPJSCSS-643	SPJSCSS6-643	6 x 4 x 3	3	SPPJ-64	4.88 x 2.88
SPJSC-863	SPJSCSS-863	SPJSCSS6-863	8 x 6 x 3.5	5	SPPJ-86	6.88 x 4.88
SPJSC-444	SPJSCSS-444	SPJSCSS6-444	4 x 4 x 4	2	-	-
SPJSC-644	SPJSCSS-644	SPJSCSS6-644	6 x 4 x 4	3	SPPJ-64	4.88 x 2.88
SPJSC-884	SPJSCSS-884	SPJSCSS6-884	8 x 8 x 4	6	SPPJ-88	6.88 x 6.88
SPJSC-664	SPJSCSS-664	SPJSCSS6-664	6 x 6 x 4	4	SPPJ-66	4.88 x 4.88
SPJSC-666	SPJSCSS-666	SPJSCSS6-666	6 x 6 x 6	5	SPPJ-66	4.88 x 4.88
SPJSC-866	SPJSCSS-866	SPJSCSS6-866	8 x 6 x 6	7	SPPJ-86	6.88 x 4.88
SPJSC-1084	SPJSCSS-1084	SPJSCSS6-1084	10 x 8 x 4	8	SPPJ-108	8.88 x 6.88
SPJSC-1264	SPJSCSS-1264	SPJSCSS6-1264	12 x 6 x 4	7	SPPJ-126	10.88 x 4.88
SPJSC-12105	SPJSCSS-12105	SPJSCSS6-12105	12 x 10 x 5	12	SPPJ-1210	10.88 x 8.88
SPJSC-1086	SPJSCSS-1086	SPJSCSS6-1086	10 x 8 x 6	9	SPPJ-108	8.88 x 6.88
SPJSC-10106	SPJSCSS-10106	SPJSCSS6-10106	10 x 10 x 6	11	SPPJ-1010	8.88 x 8.88
SPJSC-12126	SPJSCSS-12126	SPJSCSS6-12126	12 x 12 x 6	14	SPPJ-1212	10.88 x 10.88
SPJSC-1486	SPJSCSS-1486	SPJSCSS6-1486	14 x 8 x 6	12	SPPJ-148	12.88 x 6.88
SPJSC-14126	SPJSCSS-14126	SPJSCSS6-14126	14 x 12 x 6	16	SPPJ-1412	12.88 x 10.88
SPJSC-16106	SPJSCSS-16106	SPJSCSS6-16106	16 x 10 x 6	16	SPPJ-1610	14.88 x 8.88
SPJSC-16146	SPJSCSS-16146	SPJSCSS6-16146	16 x 14 x 6	20	SPPJ-1614	14.88 x 12.88
SPJSC-12108	SPJSCSS-12108	SPJSCSS6-12108	12 x 10 x 8	15	SPPJ-1210	10.88 x 8.88
SPJSC-14128	SPJSCSS-14128	SPJSCSS6-14128	14 x 12 x 8	19	SPPJ-1412	12.88 x 10.88
SPJSC-16148	SPJSCSS-16148	SPJSCSS6-16148	16 x 14 x 8	23	SPPJ-1614	14.88 x 12.88
SPJSC-161410	SPJSCSS-161410	SPJSCSS6-161410	16 x 14 x 10	26	SPPJ-1614	14.88 x 12.88

Note: Sub panels must be ordered separately. Reference page 121 for sub panel layout



Junction Enclosures

Type 4 Clamp Cover Enclosures



APPLICATIONS - Type 4 JIC enclosures are designed for use in areas which may be regularly hosed down or otherwise very wet.

CONSTRUCTION - Fabricated from 16 or 14 gauge carbon steel, type 304 or

type 316 stainless steel with continuously welded seams. Enclosure features:

- Door secured with zinc clamps on four sides.
- Stainless steel doors are secured with type 316 stainless steel clamps.
- Oil resistant gasket applied to the doors.
- External mounting feet for wall or machinery mounting.
- Weld nuts for mounting optional sub panel.

FINISH - Standard RAL 7035 texture polyester powder coat finish on interior and exterior of enclosures. Recoatable, smooth, white or ANSI-61 gray available at no charge. Standard RAL and custom match finishes available for an additional charge,

please contact Schaefer's Electrical Enclosures, Inc. for further assistance. All powder coat finishes applied over cleaned phosphatized surfaces. Carbon steel sub panels have a white polyester powder coat finish. Stainless Steel enclosures have a polished #4 finish.

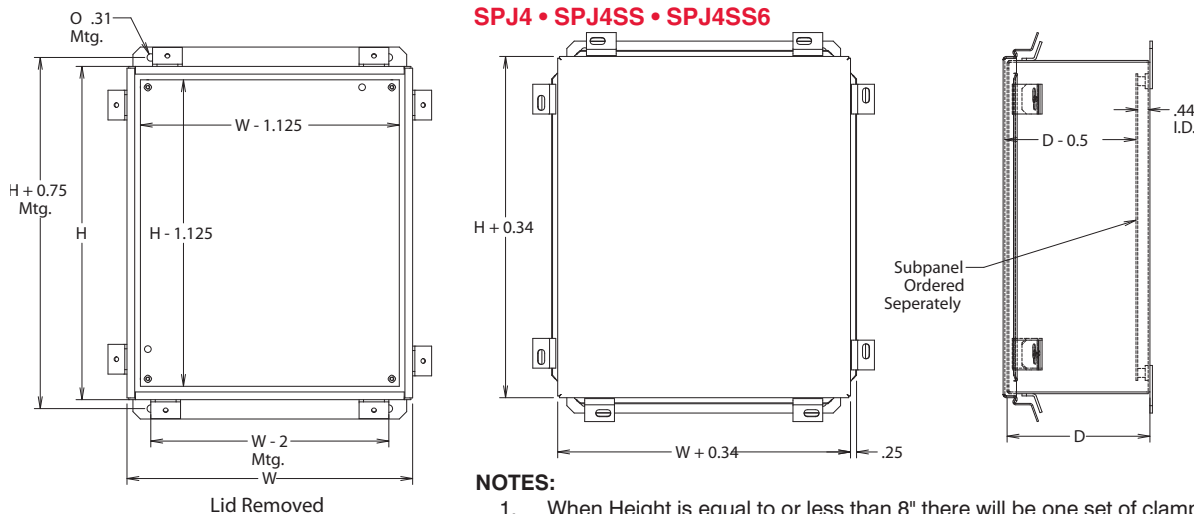
OPTIONS - Schaefer's Electrical Enclosures, Inc. can modify standard enclosures or custom design enclosures according to your specifications. Holes, cutouts, sizes, materials, and many more options are available. Quotations upon request.

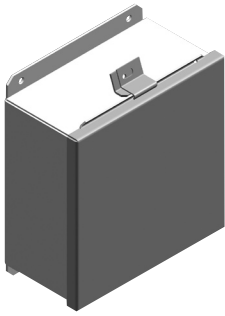
INDUSTRY STANDARDS

- UL 50 Listed
- CUL 50 Listed
- Type 4

Catalog Number			Product Size	Shpg. Wt.	Sub Panel Part #	Sub Panel Size H x W (inches)
Carbon Steel #	304 Stainless Steel #	316 Stainless Steel #	H x W x D (inches)			
SPJ4-443	SPJ4SS-443	SPJ4SS6-443	4 x 4 x 3	3	-	-
SPJ4-643	SPJ4SS-643	SPJ4SS6-643	6 x 4 x 3	4	SPPJ-64	4.88 x 2.88
SPJ4-863	SPJ4SS-863	SPJ4SS6-863	8 x 6 x 3.5	7	SPPJ-86	6.88 x 4.88
SPJ4-444	SPJ4SS-444	SPJ4SS6-444	4 x 4 x 4	4	-	-
SPJ4-644	SPJ4SS-644	SPJ4SS6-644	6 x 4 x 4	5	SPPJ-64	4.88 x 2.88
SPJ4-664	SPJ4SS-664	SPJ4SS6-664	6 x 6 x 4	6	SPPJ-66	4.88 x 4.88
SPJ4-884	SPJ4SS-884	SPJ4SS6-884	8 x 8 x 4	9	SPPJ-88	6.88 x 6.88
SPJ4-1084	SPJ4SS-1084	SPJ4SS6-1084	10 x 8 x 4	11	SPPJ-108	8.88 x 6.88
SPJ4-1264	SPJ4SS-1264	SPJ4SS6-1264	12 x 6 x 4	10	SPPJ-126	10.88 x 4.88
SPJ4-12105	SPJ4SS-12105	SPJ4SS6-12105	12 x 10 x 5	17	SPPJ-1210	10.88 x 8.88
SPJ4-666	SPJ4SS-666	SPJ4SS6-666	6 x 6 x 6	8	SPPJ-66	4.88 x 4.88
SPJ4-866	SPJ4SS-866	SPJ4SS6-866	8 x 6 x 6	10	SPPJ-86	6.88 x 4.88
SPJ4-1086	SPJ4SS-1086	SPJ4SS6-1086	10 x 8 x 6	14	SPPJ-108	8.88 x 6.88
SPJ4-10106	SPJ4SS-10106	SPJ4SS6-10106	10 x 10 x 6	16	SPPJ-1010	8.88 x 8.88
SPJ4-12126	SPJ4SS-12126	SPJ4SS6-12126	12 x 12 x 6	21	SPPJ-1212	10.88 x 10.88
SPJ4-1486	SPJ4SS-1486	SPJ4SS6-1486	14 x 8 x 6	18	SPPJ-148	12.88 x 6.88
SPJ4-14126	SPJ4SS-14126	SPJ4SS6-14126	14 x 12 x 6	24	SPPJ-1412	12.88 x 10.88
SPJ4-16106	SPJ4SS-16106	SPJ4SS6-16106	16 x 10 x 6	23	SPPJ-1610	14.88 x 8.88
SPJ4-16146	SPJ4SS-16146	SPJ4SS6-16146	16 x 14 x 6	30	SPPJ-1614	14.88 x 12.88
SPJ4-12108	SPJ4SS-12108	SPJ4SS6-12108	12 x 10 x 8	22	SPPJ-1210	10.88 x 8.88
SPJ4-14128	SPJ4SS-14128	SPJ4SS6-14128	14 x 12 x 8	28	SPPJ-1412	12.88 x 10.88
SPJ4-16148	SPJ4SS-16148	SPJ4SS6-16148	16 x 14 x 8	34	SPPJ-1614	14.88 x 12.88
SPJ4-161410	SPJ4SS-161410	SPJ4SS6-161410	16 x 14 x 10	39	SPPJ-1614	14.88 x 12.88

Note: Sub panels must be ordered separately. Reference page 121 for sub panel layout





APPLICATIONS - Designed to provide protection for electrical controls, instruments, and terminals from oil, dirt, dust and water entry.

CONSTRUCTION - Fabricated from 16 or 14 gauge carbon steel, 14 gauge type 304

or type 316 stainless steel with continuously welded seams. Enclosure features:

- Door secured with zinc coated clamps
- Stainless Steel doors are secured with type 316 stainless steel clamps.
- Oil resistant gasket applied to the doors
- External mounting feet for wall or machinery mounting
- Weld nuts for mounting optional sub-panel

FINISH - Standard RAL 7035 texture polyester powder coat finish on interior and exterior of enclosures. Recoatable, smooth, white or ANSI-61 gray available at no charge. Standard RAL and custom match finishes available for an additional charge, please contact Schaefer's Electrical Enclosures, Inc. for further assistance. All

powder coat finishes applied over cleaned phosphatized surfaces. Carbon steel sub panels have a white polyester powder coat finish. Stainless Steel enclosures have a polished #4 finish.

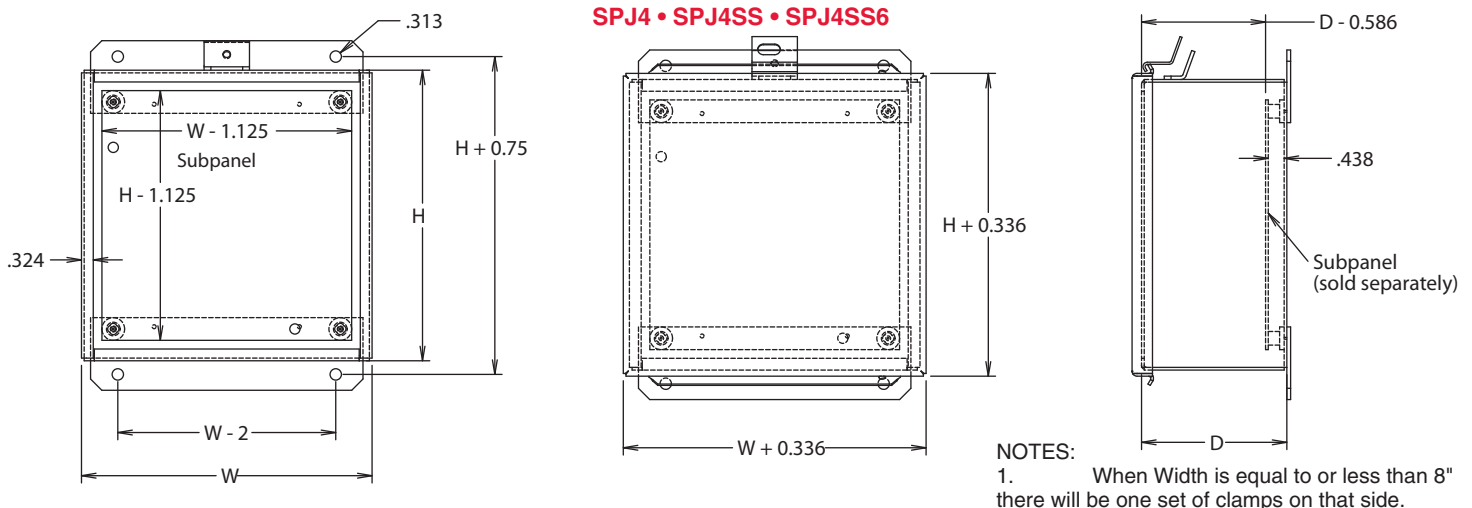
OPTIONS - Schaefer's Electrical Enclosures, Inc. can modify standard enclosures or custom design enclosures according to your specifications. Holes, cutouts, sizes, materials, and many more options are available. Quotations upon request.

INDUSTRY STANDARDS

- UL 50 Listed
- CUL 50 Listed
- Type 12

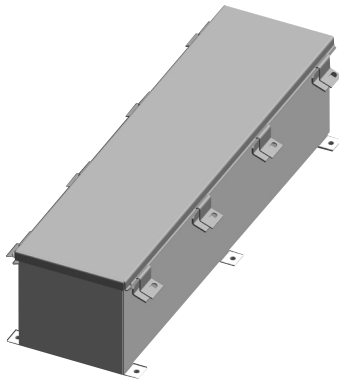
Catalog Number			Enclosure Size H x W x D	Shpg. Wt.	Sub Panel Part #	Sub Panel Size H x W (inches)
Carbon Steel #	304 Stainless Steel #	316 Stainless Steel #				
SPJ-443	SPJSS-443	SPJSS6-443	4 x 4 x 3	2	-	-
SPJ-643	SPJSS-643	SPJSS6-643	6 x 4 x 3	3	SPPJ-64	4.88 x 2.88
SPJ-863	SPJSS-863	SPJSS6-863	8 x 6 x 3.5	5	SPPJ-86	6.88 x 4.88
SPJ-444	SPJSS-444	SPJSS6-444	4 x 4 x 4	3	-	-
SPJ-644	SPJSS-644	SPJSS6-644	6 x 4 x 4	4	SPPJ-64	4.88 x 2.88
SPJ-664	SPJSS-664	SPJSS6-664	6 x 6 x 4	5	SPPJ-66	4.88 x 4.88
SPJ-884	SPJSS-884	SPJSS6-884	8 x 8 x 4	8	SPPJ-88	6.88 x 6.88
SPJ-1084	SPJSS-1084	SPJSS6-1084	10 x 8 x 4	9	SPPJ-108	8.88 x 6.88
SPJ-1264	SPJSS-1264	SPJSS6-1264	12 x 6 x 4	9	SPPJ-126	10.88 x 4.88
SPJ-12105	SPJSS-12105	SPJSS6-12105	12 x 10 x 5	14	SPPJ-1210	10.88 x 8.88
SPJ-666	SPJSS-666	SPJSS6-666	6 x 6 x 6	6	SPPJ-66	4.88 x 4.88
SPJ-866	SPJSS-866	SPJSS6-866	8 x 6 x 6	8	SPPJ-86	6.88 x 4.88
SPJ-1086	SPJSS-1086	SPJSS6-1086	10 x 8 x 6	11	SPPJ-108	8.88 x 6.88
SPJ-10106	SPJSS-10106	SPJSS6-10106	10 x 10 x 6	13	SPPJ-1010	8.88 x 8.88
SPJ-12126	SPJSS-12126	SPJSS6-12126	12 x 12 x 6	17	SPPJ-1212	10.88 x 10.88
SPJ-1486	SPJSS-1486	SPJSS6-1486	14 x 8 x 6	15	SPPJ-148	12.88 x 6.88
SPJ-14126	SPJSS-14126	SPJSS6-14126	14 x 12 x 6	19	SPPJ-1412	12.88 x 10.88
SPJ-16106	SPJSS-16106	SPJSS6-16106	16 x 10 x 6	19	SPPJ-1610	14.88 x 8.88
SPJ-12108	SPJSS-12108	SPJSS6-12108	12 x 10 x 8	18	SPPJ-1210	10.88 x 8.88
SPJ-14128	SPJSS-14128	SPJSS6-14128	14 x 12 x 8	22	SPPJ-1412	12.88 x 10.88
SPJ-16146	SPJSS-16146	SPJSS6-16146	16 x 14 x 6	24	SPPJ-1614	14.88 x 12.88
SPJ-16148	SPJSS-16148	SPJSS6-16148	16 x 14 x 8	28	SPPJ-1614	14.88 x 12.88
SPJ-161410	SPJSS-161410	SPJSS6-161410	16 x 14 x 10	31	SPPJ-1614	14.88 x 12.88

Note: Sub panels must be ordered separately. Reference page 121 for sub panel layout



Junction Enclosures

Type 12 JIC Wiring Troughs with Lift-off Covers



APPLICATIONS - To house electrical wiring where dust, dirt, oil and water are not serious problems.

CONSTRUCTION - Fabricated from 16 or 14 gauge carbon steel, 14 gauge type 304 or type 316 stainless steel with continuously welded seams. Enclosures feature:

- There are no holes or knockouts.
- The troughs have lift-off lids and external screw clamps to ensure a complete seal between cover and body.
- Mounting feet are provided.

FINISH - Standard RAL 7035 texture polyester powder coat finish on interior and exterior of enclosures. Recoatable, smooth, white or ANSI-61 gray available at no charge. Standard RAL and custom match finishes available for an additional

charge, please contact Schaefer's Electrical Enclosures, Inc. for further assistance. All powder coat finishes applied over cleaned phosphatized surfaces. Stainless Steel enclosures have a polished #4 finish.

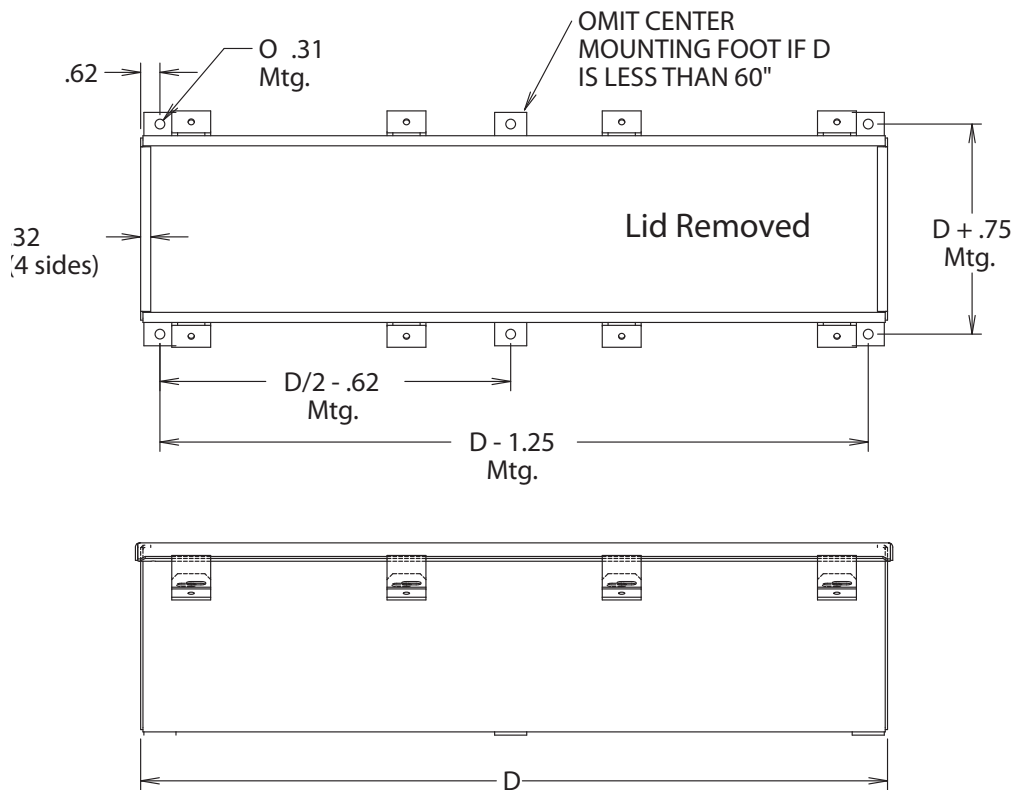
OPTIONS - Schaefer's Electrical Enclosures, Inc. can modify standard Flangeless Lay-in Wireways according to your specifications. Sizes and many more options are available. Quotations upon request.

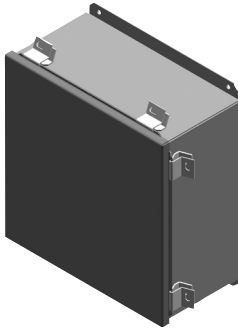
INDUSTRY STANDARDS

- UL 50 Listed
- CUL 50 Listed
- Type 12

Carbon Steel #	Catalog Number		Product Size H x W x D (inches)	Shpg. Wt.	Gauge	# of Mounting Feet	Qty. Clamps & Screws
	304 Stainless Steel #	316 Stainless Steel #					
SPJT-2212	SPJTSS-2212	SPJTSS6-2212	2.5 x 2.5 x 12	5	16	2	2
SPJT-2218	SPJTSS-2218	SPJTSS6-2218	2.5 x 2.5 x 18	7	16	2	3
SPJT-2224	SPJTSS-2224	SPJTSS6-2224	2.5 x 2.5 x 24	8	16	2	3
SPJT-4412	SPJTSS-4412	SPJTSS6-4412	4 x 4 x 12	7	16	2	2
SPJT-4418	SPJTSS-4418	SPJTSS6-4418	4 x 4 x 18	9	16	2	3
SPJT-4424	SPJTSS-4424	SPJTSS6-4424	4 x 4 x 24	11	14	2	3
SPJT-4436	SPJTSS-4436	SPJTSS6-4436	4 x 4 x 36	17	14	2	4
SPJT-4448	SPJTSS-4448	SPJTSS6-4448	4 x 4 x 48	22	14	2	5
SPJT-6612	SPJTSS-6612	SPJTSS6-6612	6 x 6 x 12	10	14	2	2
SPJT-6618	SPJTSS-6618	SPJTSS6-6618	6 x 6 x 18	13	14	2	3
SPJT-6624	SPJTSS-6624	SPJTSS6-6624	6 x 6 x 24	17	14	2	3
SPJT-6636	SPJTSS-6636	SPJTSS6-6636	6 x 6 x 36	26	14	2	4
SPJT-6648	SPJTSS-6648	SPJTSS6-6648	6 x 6 x 48	31	14	2	5

SPJT • SPJTSS • SPJTSS6





APPLICATIONS - Type 4 JIC enclosures are designed for use in areas which may be regularly hosed down or otherwise very wet.

CONSTRUCTION - Fabricated from 16 or 14 gauge carbon steel, 14 gauge

type 304 or type 316 stainless steel with continuously welded seams. Enclosure features:

- Door secured with zinc clamps on three sides.
- Stainless steel doors are secured with type 316 stainless steel clamps.
- Oil resistant gasket applied to the doors.
- External mounting feet for wall or machinery mounting.
- Weld nuts for mounting optional sub panel.

FINISH - Standard RAL 7035 texture polyester powder coat finish on interior and exterior of enclosures. Recoatable, smooth, white or ANSI-61 gray available at no charge. Standard RAL and custom

match finishes available for an additional charge, please contact Schaefer's Electrical Enclosures, Inc. for further assistance. All powder coat finishes applied over cleaned phosphatized surfaces. Carbon steel sub panels have a white polyester powder coat finish. Stainless Steel enclosures have a polished #4 finish.

OPTIONS - Schaefer's Electrical Enclosures, Inc. can modify standard enclosures or custom design enclosures according to your specifications. Sizes and many more options are available. Quotations upon request.

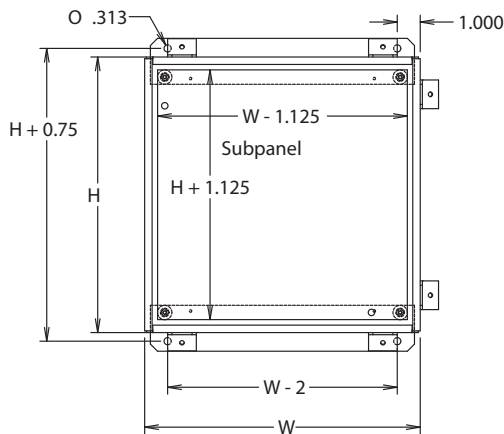
INDUSTRY STANDARDS

- UL 50 Listed
- CUL 50 Listed
- Type 4

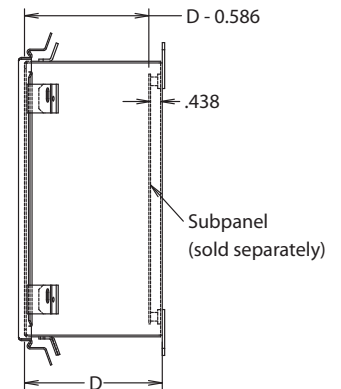
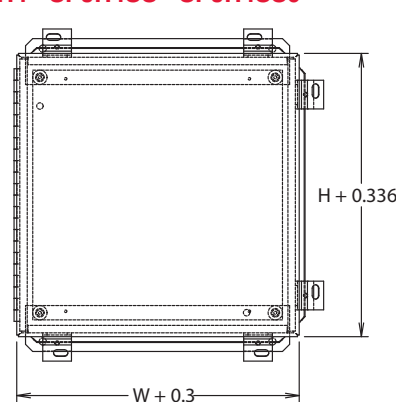
Carbon Steel #	Catalog Number		Product Size H x W x D (inches)	Shpg. Wt.	Sub Panel Part #	Sub Panel Size H x W (inches)
	304 Stainless Steel #	316 Stainless Steel #				
SPJH4-443	SPJH4SS-443	SPJH4SS6-443	4 x 4 x 3	2	-	-
SPJH4-643	SPJH4SS-643	SPJH4SS6-643	6 x 4 x 3	3	SPPJ-64	4.88 x 2.88
SPJH4-863	SPJH4SS-863	SPJH4SS6-863	8 x 6 x 3.5	5	SPPJ-86	6.88 x 4.88
SPJH4-444	SPJH4SS-444	SPJH4SS6-444	4 x 4 x 4	2	-	-
SPJH4-644	SPJH4SS-644	SPJH4SS6-644	6 x 4 x 4	3	SPPJ-64	4.88 x 2.88
SPJH4-664	SPJH4SS-664	SPJH4SS6-664	6 x 6 x 4	4	SPPJ-66	4.88 x 4.88
SPJH4-884	SPJH4SS-884	SPJH4SS6-884	8 x 8 x 4	6	SPPJ-88	6.88 x 6.88
SPJH4-1084	SPJH4SS-1084	SPJH4SS6-1084	10 x 8 x 4	8	SPPJ-108	8.88 x 6.88
SPJH4-1264	SPJH4SS-1264	SPJH4SS6-1264	12 x 6 x 4	7	SPPJ-126	10.88 x 4.88
SPJH4-12105	SPJH4SS-12105	SPJH4SS6-12105	12 x 10 x 5	12	SPPJ-1210	10.88 x 8.88
SPJH4-666	SPJH4SS-666	SPJH4SS6-666	6 x 6 x 6	5	SPPJ-66	4.88 x 4.88
SPJH4-866	SPJH4SS-866	SPJH4SS6-866	8 x 6 x 6	7	SPPJ-86	6.88 x 4.88
SPJH4-1086	SPJH4SS-1086	SPJH4SS6-1086	10 x 8 x 6	9	SPPJ-108	8.88 x 6.88
SPJH4-10106	SPJH4SS-10106	SPJH4SS6-10106	10 x 10 x 6	11	SPPJ-1010	8.88 x 8.88
SPJH4-12126	SPJH4SS-12126	SPJH4SS6-12126	12 x 12 x 6	14	SPPJ-1212	10.88 x 10.88
SPJH4-1486	SPJH4SS-1486	SPJH4SS6-1486	14 x 8 x 6	12	SPPJ-148	12.88 x 6.88
SPJH4-14126	SPJH4SS-14126	SPJH4SS6-14126	14 x 12 x 6	16	SPPJ-1412	12.88 x 10.88
SPJH4-16146	SPJH4SS-16146	SPJH4SS6-16146	16 x 14 x 6	20	SPPJ-1614	14.88 x 12.88
SPJH4-16106	SPJH4SS-16106	SPJH4SS6-16106	16 x 10 x 6	16	SPPJ-1610	14.88 x 8.88
SPJH4-12108	SPJH4SS-12108	SPJH4SS6-12108	12 x 10 x 8	15	SPPJ-1210	10.88 x 8.88
SPJH4-14128	SPJH4SS-14128	SPJH4SS6-14128	14 x 12 x 8	19	SPPJ-1412	12.88 x 10.88
SPJH4-16148	SPJH4SS-16148	SPJH4SS6-16148	16 x 14 x 8	23	SPPJ-1614	14.88 x 12.88

NOTE: Sub panels must be ordered separately. Reference page 121 for sub panel layout

SPJH4 • SPJH4SS • SPJH4SS6



Lid Removed



NOTES:

1. When Height or Width is equal to or less than 8" there will be one set of clamps on that side.

Junction Enclosures

Type 12 Continuous Hinge Cover Enclosures



APPLICATIONS - Designed to provide protection for electrical controls, instruments, and terminals from oil, dirt, and dust.

CONSTRUCTION - Fabricated from 16 or 14 gauge carbon steel, 14 gauge type 304 or type 316 stainless steel with

continuously welded seams. Enclosure features:

- Door secured with a continuous hinge and clamps.
- Oil resistant gasket applied to the doors.
- External mounting feet for wall or machinery mounting.
- Weld nuts for mounting optional sub-panel.

FINISH - Standard RAL 7035 texture polyester powder coat finish on interior and exterior of enclosures. Recoatable, smooth, white or ANSI-61 gray available at no charge. Standard RAL and custom match finishes available for an additional charge, please contact Schaefer's Electrical Enclosures, Inc. for further assistance.

All powder coat finishes applied over cleaned phosphatized surfaces. Carbon steel sub panels have a white polyester powder coat finish. Stainless Steel enclosures have a polished #4 finish.

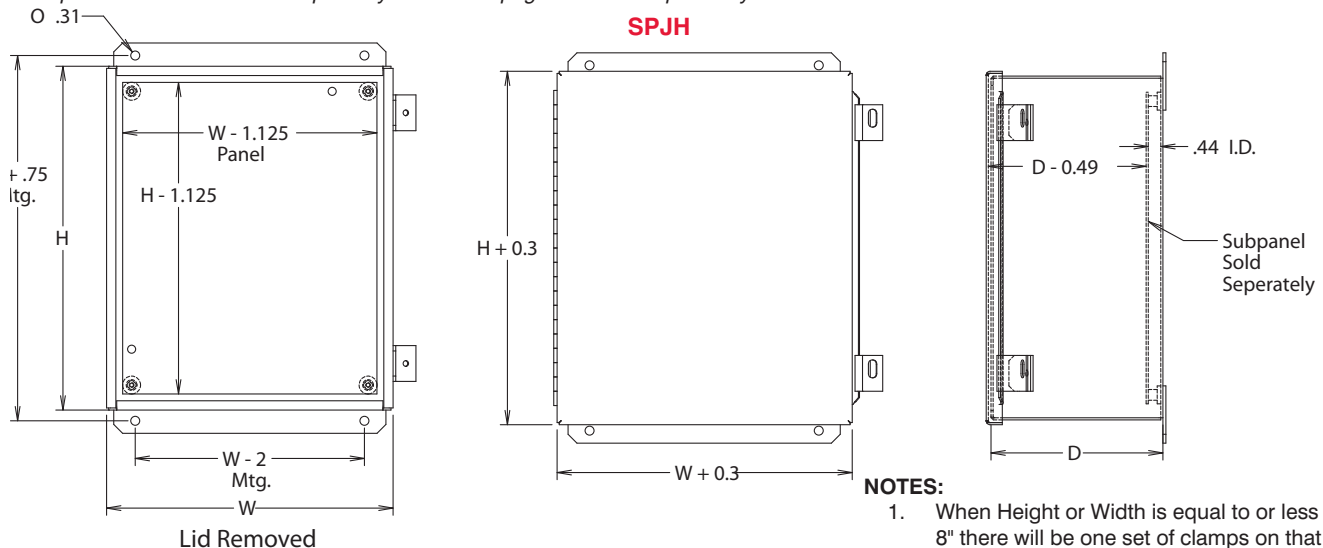
OPTIONS - Schaefer's Electrical Enclosures, Inc. can modify standard enclosures or custom design enclosures according to your specifications. Holes, cutouts, sizes, materials, and many more options are available. Quotations upon request.

INDUSTRY STANDARDS

- UL 50 Listed
- CUL 50 Listed
- Type 12

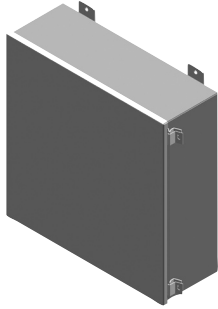
Carbon Steel #	Catalog Number 304 Stainless Steel #	316 Stainless Steel #	Product Size H x W x D (inches)	Shpg. Wt.	Sub Panel Part #	Sub Panel Size H x W (inches)
SPJH-443	SPJHSS-443	SPJHSS6-443	4 x 4 x 3	2	-	-
SPJH-643	SPJHSS-643	SPJHSS6-643	6 x 4 x 3	3	SPPJ-64	4.88 x 2.88
SPJH-863	SPJHSS-863	SPJHSS6-863	8 x 6 x 3.5	5	SPPJ-86	6.88 x 4.88
SPJH-444	SPJHSS-444	SPJHSS6-444	4 x 4 x 4	2	-	-
SPJH-644	SPJHSS-644	SPJHSS6-644	6 x 4 x 4	3	SPPJ-64	4.88 x 2.88
SPJH-664	SPJHSS-664	SPJHSS6-664	6 x 6 x 4	4	SPPJ-66	4.88 x 4.88
SPJH-884	SPJHSS-884	SPJHSS6-884	8 x 8 x 4	6	SPPJ-88	6.88 x 6.88
SPJH-1084	SPJHSS-1084	SPJHSS6-1084	10 x 8 x 4	8	SPPJ-108	8.88 x 6.88
SPJH-1264	SPJHSS-1264	SPJHSS6-1264	12 x 6 x 4	7	SPPJ-126	10.88 x 4.88
SPJH-12105	SPJHSS-12105	SPJHSS6-12105	12 x 10 x 5	12	SPPJ-1210	10.88 x 8.88
SPJH-666	SPJHSS-666	SPJHSS6-666	6 x 6 x 6	5	SPPJ-66	4.88 x 4.88
SPJH-866	SPJHSS-866	SPJHSS6-866	8 x 6 x 6	7	SPPJ-86	6.88 x 4.88
SPJH-1086	SPJHSS-1086	SPJHSS6-1086	10 x 8 x 6	9	SPPJ-108	8.88 x 6.88
SPJH-10106	SPJHSS-10106	SPJHSS6-10106	10 x 10 x 6	11	SPPJ-1010	8.88 x 8.88
SPJH-12126	SPJHSS-12126	SPJHSS6-12126	12 x 12 x 6	14	SPPJ-1212	10.88 x 10.88
SPJH-1486	SPJHSS-1486	SPJHSS6-1486	14 x 8 x 6	12	SPPJ-148	12.88 x 6.88
SPJH-14126	SPJHSS-14126	SPJHSS6-14126	14 x 12 x 6	16	SPPJ-1412	12.88 x 10.88
SPJH-16106	SPJHSS-16106	SPJHSS6-16106	16 x 10 x 6	16	SPPJ-1610	14.88 x 8.88
SPJH-16146	SPJHSS-16146	SPJHSS6-16146	16 x 14 x 6	20	SPPJ-1614	14.88 x 12.88
SPJH-12108	SPJHSS-12108	SPJHSS6-12108	12 x 10 x 8	15	SPPJ-1210	10.88 x 8.88
SPJH-14128	SPJHSS-14128	SPJHSS6-14128	14 x 12 x 8	19	SPPJ-1412	12.88 x 10.88
SPJH-16148	SPJHSS-16148	SPJHSS6-16148	16 x 14 x 8	23	SPPJ-1614	14.88 x 12.88
SPJH-161410	SPJHSS-161410	SPJHSS6-161410	16 x 14 x 10	26	SPPJ-1614	14.88 x 12.88

NOTE: Sub panels must be ordered separately. Reference page 121 for sub panel layout



NOTES:

1. When Height or Width is equal to or less than 8" there will be one set of clamps on that side.



APPLICATIONS - For housing electrical controls, terminals, and instruments and to provide protection from dust, dirt, oil and water.

CONSTRUCTION - Fabricated from 14 gauge carbon steel. Enclosure features:

- Door secured with a continuous hinge and clamps.
- Oil resistant gasket applied to doors.
- External mounting feet for wall or machinery mounting.
- Collar studs for mounting optional sub panel.

FINISH - Standard RAL 7035 texture polyester powder coat finish on interior and exterior of enclosures. Recoatable, smooth, white or ANSI-61 gray available at no charge. Standard RAL and custom match finishes available for an additional charge, please contact Schaefer's Electri-

cal Enclosures, Inc. for further assistance. All powder coat finishes applied over cleaned phosphatized surfaces. Carbon steel sub panels have a white polyester powder coat finish.

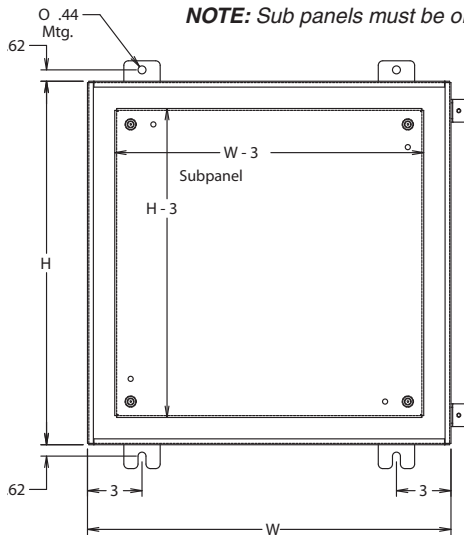
OPTIONS - Schaefer's Electrical Enclosures, Inc. can modify standard Enclosures or custom design enclosures according to your specifications. Holes, cutouts, sizes, materials, and many more options are available. Quotations upon request.

INDUSTRY STANDARDS

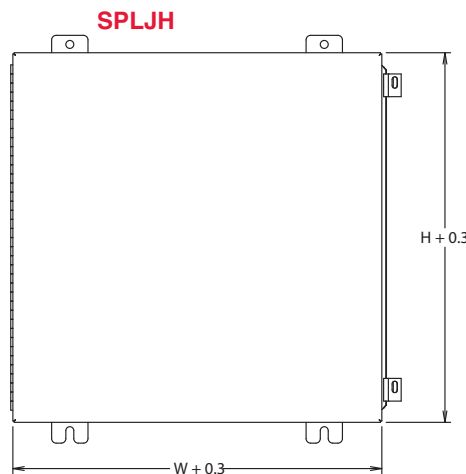
- UL 50 Listed
- CUL 50 Listed
- Type 12

Catalog Number	Enclosure Size H x W x D (inches)	Shpg. Wt.	Sub Panel Part #	Sub Panel Size H x W (inches)
SPLJH-20167	20 x 16 x 7	31	SPP-2016	17 x 13
SPLJH-20207	20 x 20 x 7	37	SPP-2020	17 x 17
SPLJH-24207	24 x 20 x 7	43	SPP-2420	21 x 17
SPLJH-24247	24 x 24 x 7	48	SPP-2424	21 x 21
SPLJH-30207	30 x 20 x 7	50	SPP-3020	27 x 17
SPLJH-30247	30 x 24 x 7	58	SPP-3024	27 x 21
SPLJH-36247	36 x 24 x 7	69	SPP-3624	33 x 21
SPLJH-20169	20 x 16 x 9	36	SPP-2016	17 x 13
SPLJH-20209	20 x 20 x 9	41	SPP-2020	17 x 17
SPLJH-24209	24 x 20 x 9	47	SPP-2420	21 x 17
SPLJH-24249	24 x 24 x 9	54	SPP-2424	21 x 21
SPLJH-30209	30 x 20 x 9	55	SPP-3020	27 x 17
SPLJH-30249	30 x 24 x 9	62	SPP-3024	27 x 21
SPLJH-36249	36 x 24 x 9	76	SPP-3624	33 x 21
SPLJH-36309	36 x 30 x 9	90	SPP-3630	33 x 27
SPLJH-42309	42 x 30 x 9	103	SPP-4230	39 x 27
SPLJH-42369	42 x 36 x 9	115	SPP-4236	39 x 33
SPLJH-242411	24 x 24 x 11	58	SPP-2424	21 x 21
SPLJH-362411	36 x 24 x 11	77	SPP-3624	33 x 21
SPLJH-483611	48 x 36 x 11	139	SPP-4836	45 x 33
SPLJH-302413	30 x 24 x 13	70	SPP-3024	27 x 21
SPLJH-363013	36 x 30 x 13	100	SPP-3630	33 x 27

NOTE: Sub panels must be ordered separately. Reference page 122 for sub panel layout

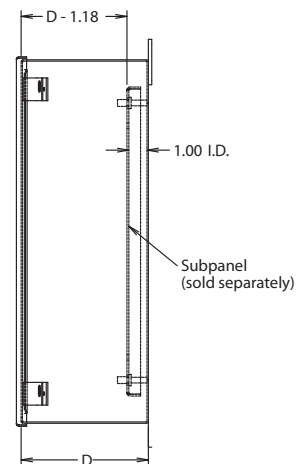


Lid Removed



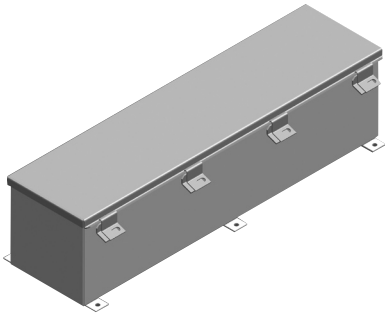
NOTES:

1. Print pocket = 6" x 6" when H and W are 24" or less.
Print pocket = 9" x 9" when H and W are greater than 24".
2. Panels will have formed flanges when either Height or Width is greater than or equal to 18".



Junction Enclosures

Type 12 JIC Wiring Troughs Continuous Hinged Cover



APPLICATIONS - To protect wiring from dust, dirt, oil and water.

CONSTRUCTION - Fabricated from 14 gauge carbon steel, type 304 or type 316 stainless steel with continuously welded seams. Enclosures feature:

- There are no holes or knockouts.
- Troughs have continuous hinges and external screw clamps to ensure a complete seal between cover and body.
- Mounting feet are provided.

FINISH - Standard RAL 7035 texture polyester powder coat finish on interior and exterior of enclosures. Recoatable, smooth, white or ANSI-61 gray available at no charge. Standard RAL and custom match finishes available for an additional charge, please contact Schaefer's Electrical Enclosures, Inc. for further assistance. All powder coat finishes applied over cleaned phosphatized surfaces. Stainless Steel enclosures have a polished #4 finish.

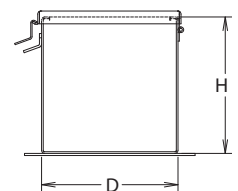
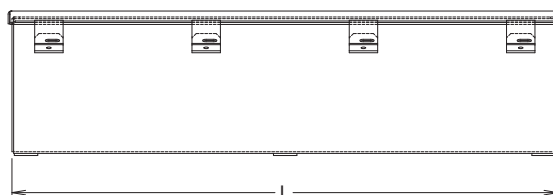
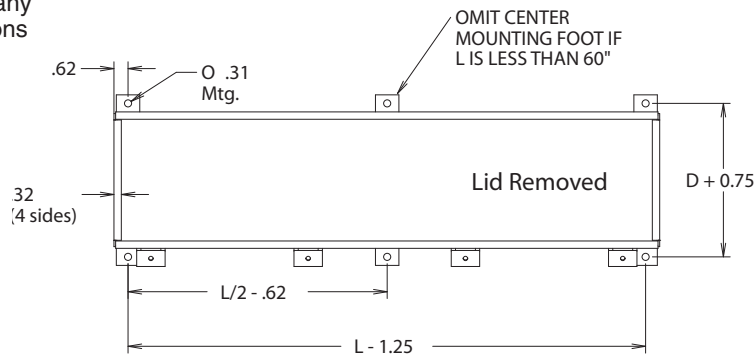
OPTIONS - Schaefer's Electrical Enclosures, Inc. can modify standard Flangeless Lay-in Wireways according to your specifications. Sizes and many more options are available. Quotations upon request.

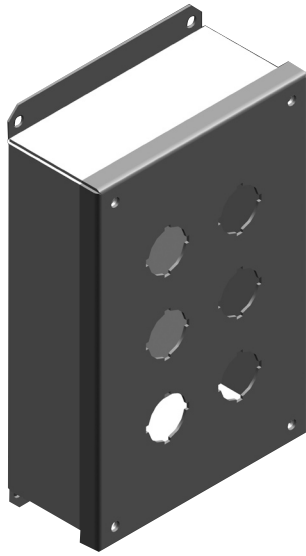
INDUSTRY STANDARDS

- UL 50 Listed
- CUL 50 Listed
- Type 12

Carbon Steel #	Catalog Number 304 Stainless Steel #	316 Stainless Steel #	Product Size H x D x L (inches)	Shpg. Wt.	# of Mounting Feet	Qty. Clamps and Screws
SPJTH-2212	SPJTHSS-2212	SPJTHSS6-2212	2.5 x 2.5 x 12	3	2	2
SPJTH-2218	SPJTHSS-2218	SPJTHSS6-2218	2.5 x 2.5 x 18	5	2	3
SPJTH-2224	SPJTHSS-2224	SPJTHSS6-2224	2.5 x 2.5 x 24	6	2	3
SPJTH-2230	SPJTHSS-2230	SPJTHSS6-2230	2.5 x 2.5 x 30	9	2	3
SPJTH-2236	SPJTHSS-2236	SPJTHSS6-2236	2.5 x 2.5 x 36	10	2	4
SPJTH-2248	SPJTHSS-2248	SPJTHSS6-2248	2.5 x 2.5 x 48	13	2	5
SPJTH-2260	SPJTHSS-2260	SPJTHSS6-2260	2.5 x 2.5 x 60	16	3	6
SPJTH-2272	SPJTHSS-2272	SPJTHSS6-2272	2.5 x 2.5 x 72	19	3	6
SPJTH-4412	SPJTHSS-4412	SPJTHSS6-4412	4 x 4 x 12	6	2	2
SPJTH-4418	SPJTHSS-4418	SPJTHSS6-4418	4 x 4 x 18	10	2	3
SPJTH-4424	SPJTHSS-4424	SPJTHSS6-4424	4 x 4 x 24	11	2	3
SPJTH-4430	SPJTHSS-4430	SPJTHSS6-4430	4 x 4 x 30	15	2	3
SPJTH-4436	SPJTHSS-4436	SPJTHSS6-4436	4 x 4 x 36	18	2	4
SPJTH-4448	SPJTHSS-4448	SPJTHSS6-4448	4 x 4 x 48	22	2	5
SPJTH-4460	SPJTHSS-4460	SPJTHSS6-4460	4 x 4 x 60	25	3	6
SPJTH-4472	SPJTHSS-4472	SPJTHSS6-4472	4 x 4 x 72	30	3	6
SPJTH-6612	SPJTHSS-6612	SPJTHSS6-6612	6 x 6 x 12	10	2	2
SPJTH-6618	SPJTHSS-6618	SPJTHSS6-6618	6 x 6 x 18	12	2	3
SPJTH-6624	SPJTHSS-6624	SPJTHSS6-6624	6 x 6 x 24	16	2	3
SPJTH-6630	SPJTHSS-6630	SPJTHSS6-6630	6 x 6 x 30	19	2	3
SPJTH-6636	SPJTHSS-6636	SPJTHSS6-6636	6 x 6 x 36	24	2	4
SPJTH-6648	SPJTHSS-6648	SPJTHSS6-6648	6 x 6 x 48	30	2	5
SPJTH-6660	SPJTHSS-6660	SPJTHSS6-6660	6 x 6 x 60	32	3	6
SPJTH-6672	SPJTHSS-6672	SPJTHSS6-6672	6 x 6 x 72	44	3	6
SPJTH-8812	SPJTHSS-8812	SPJTHSS6-8812	8 x 8 x 12	13	2	2
SPJTH-8824	SPJTHSS-8824	SPJTHSS6-8824	8 x 8 x 24	23	2	3
SPJTH-8836	SPJTHSS-8836	SPJTHSS6-8836	8 x 8 x 36	32	2	4
SPJTH-8848	SPJTHSS-8848	SPJTHSS6-8848	8 x 8 x 48	40	2	5
SPJTH-8860	SPJTHSS-8860	SPJTHSS6-8860	8 x 8 x 60	49	3	6
SPJTH-121224	SPJTHSS-121224	SPJTHSS6-121224	12 x 12 x 24	34	2	3
SPJTH-121236	SPJTHSS-121236	SPJTHSS6-121236	12 x 12 x 36	49	2	4
SPJTH-121248	SPJTHSS-121248	SPJTHSS6-121248	12 x 12 x 48	60	2	5
SPJTH-121260	SPJTHSS-121260	SPJTHSS6-121260	12 x 12 x 60	73	3	6

SPJTH • SPJTHSS • SPJTHSS6





APPLICATIONS - Designed to provide protection from oil, dirt, and dust. Universal holes accommodate many types of pilot lights, switches and pushbuttons.

CONSTRUCTION - Fabricated from 14 gauge carbon steel or type 304 stainless steel with continuously welded seams. Enclosures feature:

- Cover secured with captivated screws
- Oil resistant gasket applied to the cover
- External mounting feet for wall or machinery mounting
- Universal pushbutton holes (30.5mm)
- 22mm available with -m addition to part number

FINISH - Standard RAL 7035 texture polyester powder coat finish on interior and exterior of enclosures. Recoatable, smooth, white or ANSI-61 gray available

at no charge. Standard RAL and custom match finishes available for an additional charge, please contact Schaefer's Electrical Enclosures, Inc. for further assistance. All powder coat finishes applied over cleaned phosphatized surfaces. Stainless Steel enclosures have a polished #4 finish.

OPTIONS - Schaefer's Electrical Enclosures, Inc. can modify standard enclosures or custom design enclosures according to your specifications. Custom sizes, materials, and many more options are available. Quotations upon request.

INDUSTRY STANDARDS

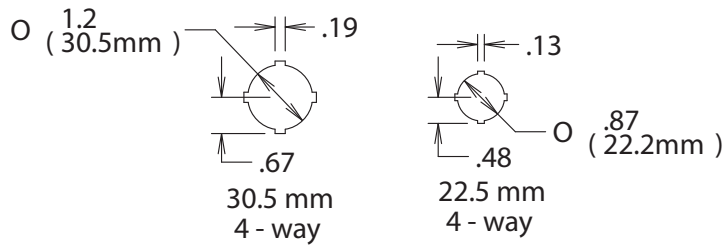
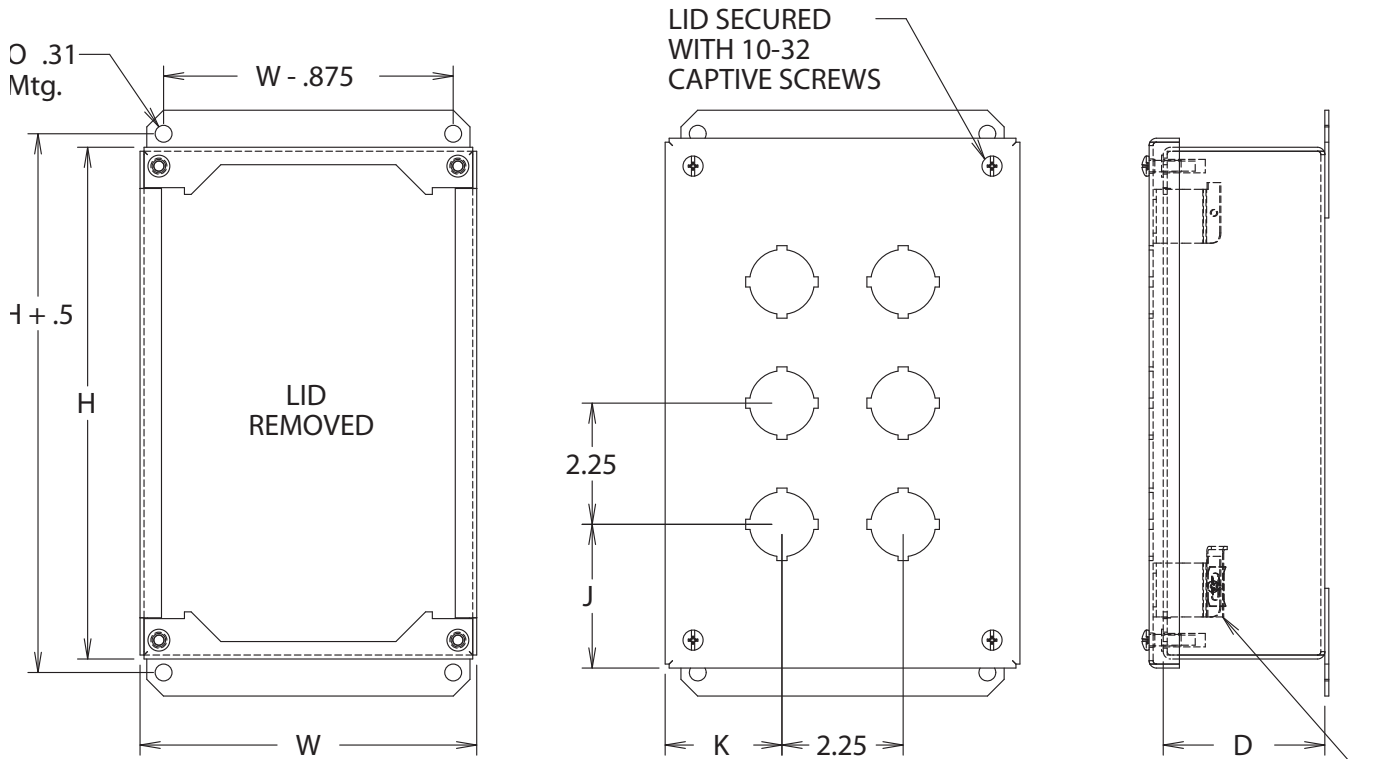
- UL 50 Listed
- CUL 50 Listed
- Type 12

Carbon Steel 30.5mm hole	304 Stainless Steel 30.5mm hole	Catalog Number Carbon Steel 22.5 mm hole	304 Stainless Steel 22.5mm hole	Holes	Enclosure Size H x W x D (inches)	Shpg. Wt.	Hole Location J K	
SPPB-1	SPPBSS-1	SPPB-1-M	SPPBSS-1-M	1	3.5 x 3.25 x 2.75	2	1.918	1.793
SPPB-2	SPPBSS-2	SPPB-2-M	SPPBSS-2-M	2	5.75 x 3.25 x 2.75	3	1.918	1.793
SPPB-3	SPPBSS-3	SPPB-3-M	SPPBSS-3-M	3	8 x 3.25 x 2.75	3	1.918	1.793
SPPB-4	SPPBSS-4	SPPB-4-M	SPPBSS-4-M	4	10.25 x 3.25 x 2.75	4	1.918	1.793
SPPB-4S	SPPBSS-4S	SPPB-4S-M	SPPBSS-4S-M	4	7.25 x 6.25 x 3	5	2.668	2.168
SPPB-5	SPPBSS-5	SPPB-5-M	SPPBSS-5-M	5	12.5 x 3.25 x 2.75	5	1.918	1.793
SPPB-6	SPPBSS-6	SPPB-6-M	SPPBSS-6-M	6	9.5 x 6.25 x 3	6	2.668	2.168
SPPB-6VL	SPPBSS-6VL	SPPB-6VL-M	SPPBSS-6VL-M	6	14.75 x 3.25 x 2.75	6	1.918	1.793
SPPB-7	SPPBSS-7	SPPB-7-M	SPPBSS-7-M	7	18 x 3.25 x 2.75	6	2.418	1.793
SPPB-8	SPPBSS-8	SPPB-8-M	SPPBSS-8-M	8	20.25 x 3.25 x 2.75	8	2.418	1.793
SPPB-9	SPPBSS-9	SPPB-9-M	SPPBSS-9-M	9	9.5 x 8.5 x 3	8	2.668	2.168
SPPB-9VL	SPPBSS-9VL	SPPB-9VL-M	SPPBSS-9VL-M	9	22.5 x 3.25 x 2.75	8	2.418	1.793
SPPB-10	SPPBSS-10	SPPB-10-M	SPPBSS-10-M	10	24.75 x 3.25 x 2.75	8	2.418	1.793
SPPB-12	SPPBSS-12	SPPB-12-M	SPPBSS-12-M	12	11.75 x 8.5 x 3	9	2.668	2.168
SPPB-16	SPPBSS-16	SPPB-16-M	SPPBSS-16-M	16	11.75 x 10.75 x 3	11	2.668	2.168
SPPB-20	SPPBSS-20	SPPB-20-M	SPPBSS-20-M	20	14 x 10.75 x 3	12	2.668	2.168
SPPB-25	SPPBSS-25	SPPB-25-M	SPPBSS-25-M	25	14 x 13 x 3	14	2.668	2.168

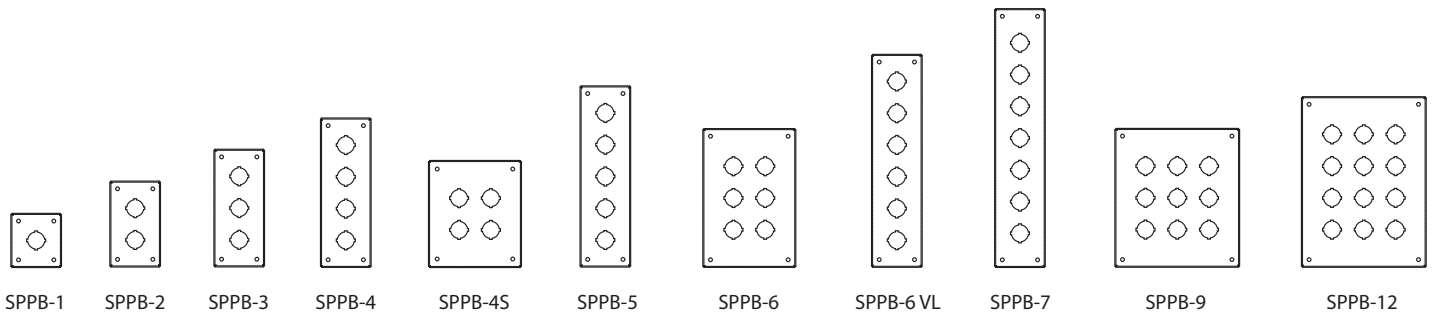
Pushbutton Enclosures

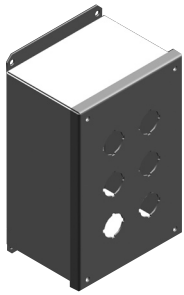
Type 12 Standard Oil-Tight Pushbutton Enclosure

SPPB • SPPBSS • SPPB-M



INTERNAL LIFT-OFF HINGES ON UNITS WITH MORE THAN ONE COLUMN OF PUSHBUTTONS





APPLICATIONS - Designed to provide protection from oil, dirt, and dust. Universal holes accommodate many types of pilot lights, switches and pushbuttons.

CONSTRUCTION - Fabricated from 14 gauge carbon steel or type 304 stainless

steel with continuously welded seams. Enclosures feature:

- Additional inch of depth
- Cover secured with captivated screws
- Oil resistant gasket applied to the cover
- External mounting feet for wall or machinery mounting
- Universal pushbutton holes (30.5mm)
- 22mm available with -m addition to part number

FINISH - Standard RAL 7035 texture polyester powder coat finish on interior and exterior of enclosures. Recoatable, smooth, white or ANSI-61 gray available at no charge. Standard RAL and custom match finishes available for an additional

charge, please contact Schaefer's Electrical Enclosures, Inc. for further assistance. All powder coat finishes applied over cleaned phosphatized surfaces. Stainless Steel enclosures have a polished #4 finish.

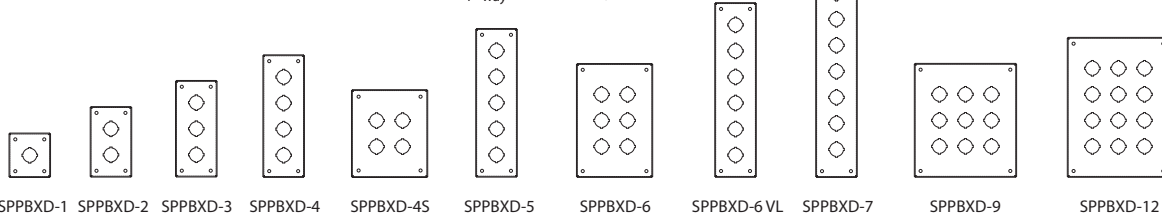
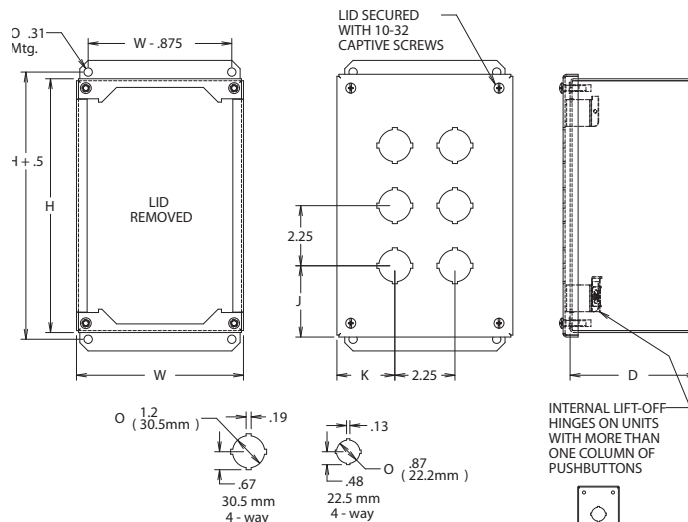
OPTIONS - Schaefer's Electrical Enclosures, Inc. can modify standard enclosures or custom design enclosures according to your specifications. Custom sizes, materials, and many more options are available. Quotations upon request.

INDUSTRY STANDARDS

- UL 50 Listed
- CUL 50 Listed
- Type 12

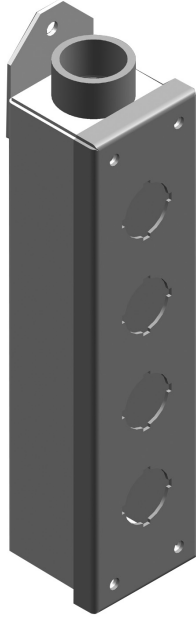
Catalog Number		Enclosure Size		Holes	H x W x D (inches)	Shpg. Wt.	Hole Location	
Carbon Steel 30.5mm hole	304 Stainless Steel 30.5mm hole	Carbon Steel 22.5 mm hole	304 Stainless Steel 22.5mm hole				J	K
SPPBXD-1	SPPBXDSS-1	SPPBXD-1-M	SPPBXDSS-1-M	1	4 x 4 x 4.75	3	2.168	2.168
SPPBXD-2	SPPBXDSS-2	SPPBXD-2-M	SPPBXDSS-2-M	2	6 x 4 x 4.75	4	2.043	2.168
SPPBXD-3	SPPBXDSS-3	SPPBXD-3-M	SPPBXDSS-3-M	3	8 x 4 x 4.75	5	1.918	2.168
SPPBXD-4	SPPBXDSS-4	SPPBXD-4-M	SPPBXDSS-4-M	4	10 x 4 x 4.75	6	1.793	2.168
SPPBXD-4S	SPPBXDSS-4S	SPPBXD-4S-M	SPPBXDSS-4S-M	4	7.25 x 6.25 x 4.75	6	2.668	2.168
SPPBXD-6	SPPBXDSS-6	SPPBXD-6-M	SPPBXDSS-6-M	6	9.5 x 6.25 x 4.75	8	2.668	2.168
SPPBXD-9	SPPBXDSS-9	SPPBXD-9-M	SPPBXDSS-9-M	9	9.5 x 8.5 x 4.75	9	2.668	2.168
SPPBXD-10	SPPBXDSS-10	SPPBXD-10-M	SPPBXDSS-10-M	10	14 x 6.25 x 4.75	10	2.668	2.168
SPPBXD-12	SPPBXDSS-12	SPPBXD-12-M	SPPBXDSS-12-M	12	11.75 x 8.5 4.75	9	2.668	2.168
SPPBXD-16	SPPBXDSS-16	SPPBXD-16-M	SPPBXDSS-16-M	16	11.75 x 10.75 x 4.75	12	2.668	2.168
SPPBXD-16V	SPPBXDSS-16V	SPPBXD-16V-M	SPPBXDSS-16V-M	16	20.75 x 6.25 x 4.75	13	2.668	2.168
SPPBXD-20	SPPBXDSS-20	SPPBXD-20-M	SPPBXDSS-20-M	20	14 x 10.75 x 4.75	15	2.668	2.168
SPPBXD-25	SPPBXDSS-25	SPPBXD-25-M	SPPBXDSS-25-M	25	14 x 13 x 4.75	16	2.668	2.168
SPPBXD-30	SPPBXDSS-30	SPPBXD-30-M	SPPBXDSS-30-M	30	16.25 x 13 x 4.75	18	2.668	2.168
SPPBXD-36	SPPBXDSS-36	SPPBXD-36-M	SPPBXDSS-36-M	36	16.25 x 15.25 x 4.75	20	2.668	2.168

SPPBXD • SPPBXDSS • SPPBXD-M • SPPBXDSS-M



Pushbutton Enclosures

Type 12 Pendant Oil-Tight Pushbutton Enclosure



APPLICATIONS - Designed to provide protection from oil, dirt, and dust. Universal holes accommodate many types of pilot lights, switches and pushbuttons.

CONSTRUCTION - Fabricated from 14 gauge carbon steel or type 304 stainless steel with continuously welded seams. Enclosures feature:

- Cover secured with captivated screws
- Oil resistant gasket applied to the cover
- External mounting feet for wall or machinery mounting
- Universal pushbutton holes (30.5mm)

FINISH - Standard RAL 7035 texture polyester powder coat finish on interior and exterior of enclosures. Recoatable, smooth, white or ANSI-61 gray available at no charge. Standard RAL and custom

match finishes available for an additional charge, please contact Schaefer's Electrical Enclosures, Inc. for further assistance. All powder coat finishes applied over cleaned phosphatized surfaces. Stainless steel enclosures have a polished #4 finish.

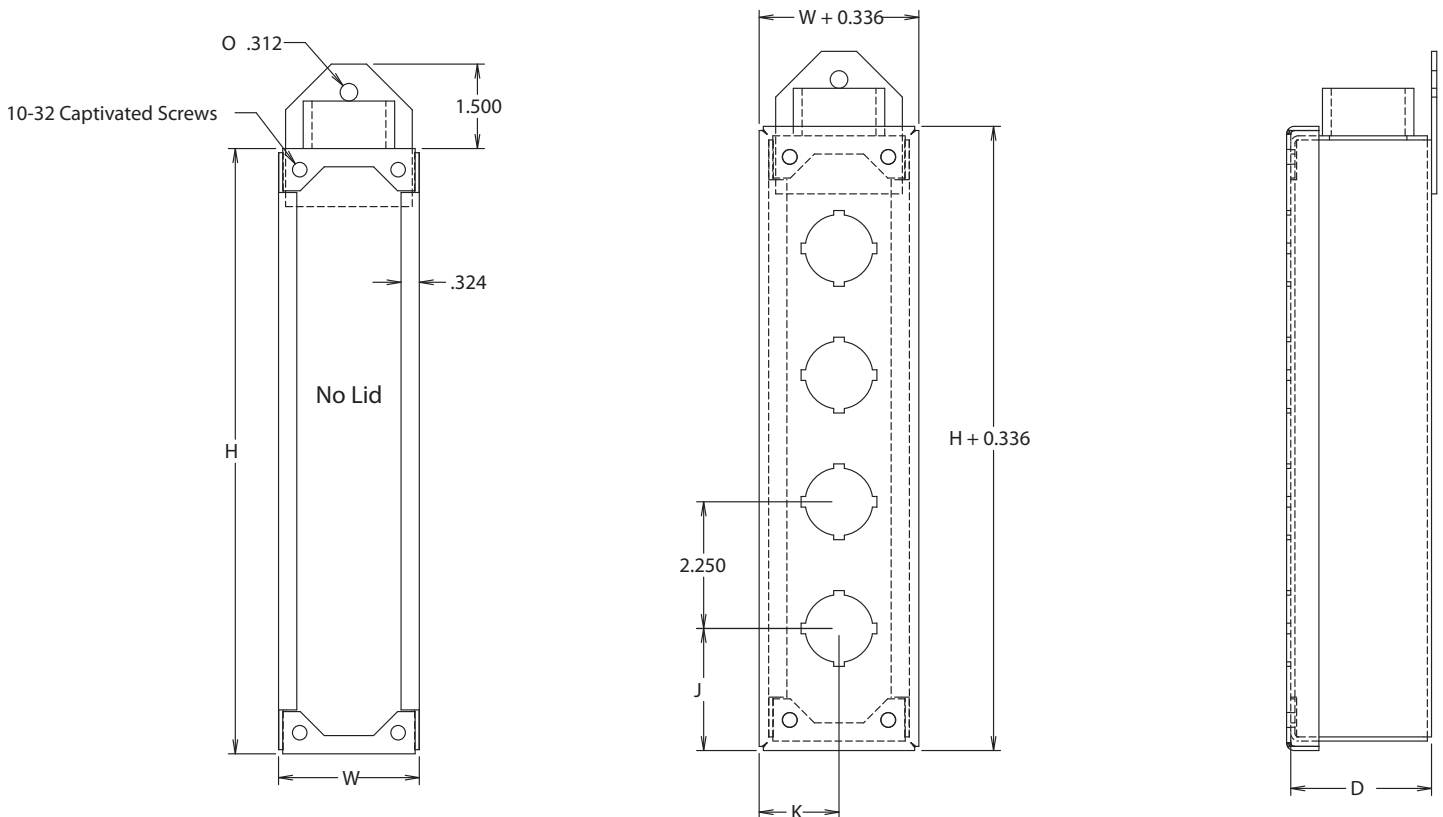
OPTIONS - Schaefer's Electrical Enclosures, Inc. can modify standard enclosures or custom design enclosures according to your specifications. 0.88" [22mm] pushbutton holes, sizes, materials, and many more options are available. Quotations upon request.

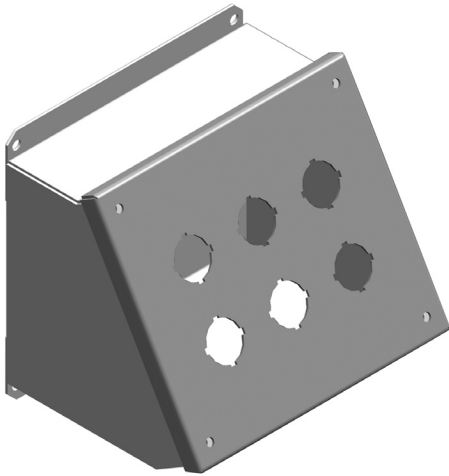
INDUSTRY STANDARDS

- UL 50 Listed
- CUL 50 Listed
- Type 12

Catalog Number		Holes	Enclosure Size H x W x D	Shpg. Wt.	Hole Location	
Carbon Steel 30.5mm hole	304 Stainless Steel 30.5mm hole				J	K
SPPEN-1	SPPENSS-1	1	4 x 2.5 x 2.5	2	1.418	1.418
SPPEN-2	SPPENSS-2	2	6.25 x 2.5 x 2.5	3	2.168	1.418
SPPEN-3	SPPENSS-3	3	8.5 x 2.5 x 2.5	3	2.168	1.418
SPPEN-4	SPPENSS-4	4	10.75 x 2.5 x 2.5	4	2.168	1.418
SPPEN-5	SPPENSS-5	5	13 x 2.5 x 2.5	4	2.168	1.418
SPPEN-6	SPPENSS-6	6	16.25 x 2.5 x 2.5	5	2.668	1.418
SPPEN-7	SPPENSS-7	7	18.5 x 2.5 x 2.5	6	2.668	1.418
SPPEN-8	SPPENSS-8	8	20.75 x 2.5 x 2.5	6	2.668	1.418

SPPEN • SPPENSS





sal holes accommodate many types of pilot lights, switches and pushbuttons.

CONSTRUCTION - Fabricated from 14 gauge carbon steel or type 304 stainless steel with continuously welded seams. Enclosures feature:

- Cover secured with captivated screws
- Oil resistant gasket applied to the cover
- External mounting feet for wall or machinery mounting
- Universal pushbutton holes (30.5mm)
- 22mm available with -m addition to part number
- Enclosures 7.25 x 6.25 x 6.75 in. (SPPBA-4S) and larger have internal detachable hinge to hold cover during wiring

and exterior of enclosures. Recoatable, smooth, white or ANSI-61 gray available at no charge. Standard RAL and custom match finishes available for an additional charge, please contact Schaefer's Electrical Enclosures, Inc. for further assistance. All powder coat finishes applied over cleaned phosphatized surfaces. Stainless steel enclosures have a polished #4 finish.

OPTIONS - Schaefer's Electrical Enclosures, Inc. can modify standard enclosures or custom design enclosures according to your specifications. Custom sizes, materials, and many more options are available. Quotations upon request.

INDUSTRY STANDARDS

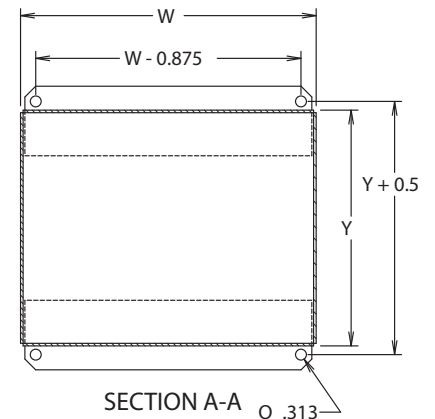
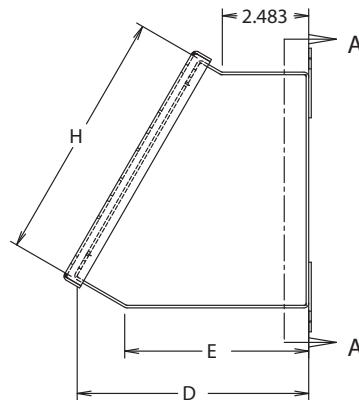
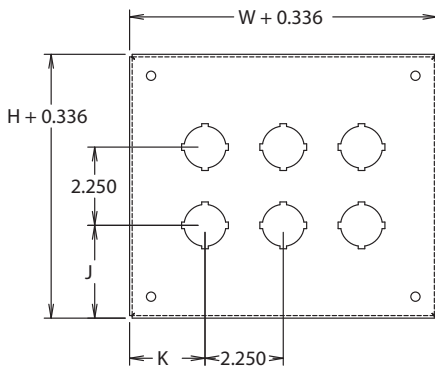
- UL 50 Listed
- CUL 50 Listed
- Type 12

APPLICATIONS - Designed to provide protection from oil, dirt, and dust. Univer-

FINISH - Standard RAL 7035 texture polyester powder coat finish on interior

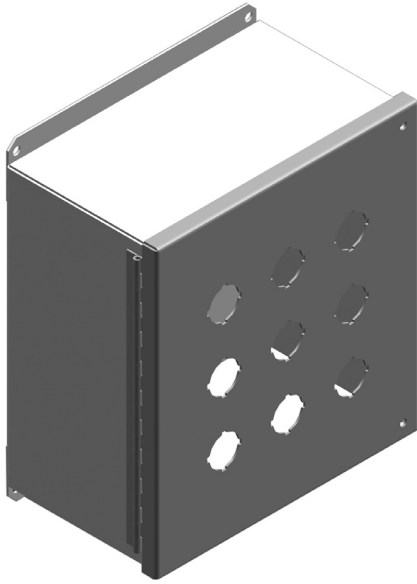
Catalog Number		Hole Location									
Carbon Steel 30.5mm hole	304 Stainless Steel 30.5mm hole	Carbon Steel 22.5mm hole	304 Stainless Steel 22.5mm hole	Holes	Enclosure Size H x W x D	Shpg. Wt.	J	K	E	Y	
SPPBA-1	SPPBASS-1	SPPBA-1-M	SPPBASS-1-M	1	3.5 x 3.25 x 4.87	7	1.86	1.73	3.34	3.53	
SPPBA-2	SPPBASS-2	SPPBA-2-M	SPPBASS-2-M	2	3.5 x 5.5 x 4.87	4	1.86	1.73	3.34	3.53	
SPPBA-3	SPPBASS-3	SPPBA-3-M	SPPBASS-3-M	3	3.5 x 7.75 x 4.87	4	1.86	1.73	3.34	3.53	
SPPBA-4	SPPBASS-4	SPPBA-4-M	SPPBASS-4-M	4	3.5 x 10 x 4.87	5	1.86	1.73	3.34	3.53	
SPPBA-4S	SPPBASS-4S	SPPBA-4S-M	SPPBASS-4S-M	4	7.25 x 6.25 x 6.75	6	2.61	2.11	5.22	6.78	
SPPBA-6	SPPBASS-6	SPPBA-6-M	SPPBASS-6-M	6	7.25 x 8.5 x 6.75	7	2.61	2.11	5.22	6.78	
SPPBA-8	SPPBASS-8	SPPBA-8-M	SPPBASS-8-M	8	7.25 x 10.75 x 6.75	9	2.61	2.11	5.22	6.78	
SPPBA-9	SPPBASS-9	SPPBA-9-M	SPPBASS-9-M	9	9.5 x 8.50 x 7.87	10	2.61	2.11	6.34	8.73	
SPPBA-10	SPPBASS-10	SPPBA-10-M	SPPBASS-10-M	10	7.25 x 13 x 6.75	13	2.61	2.11	5.22	6.78	
SPPBA-12	SPPBASS-12	SPPBA-12-M	SPPBASS-12-M	12	7.25 x 15.25 x 6.75	13	2.61	2.11	5.22	6.78	
SPPBA-12S	SPPBASS-12S	SPPBA-12S-M	SPPBASS-12S-M	12	11.75 x 8.50 x 9	11	2.61	2.11	7.47	10.69	
SPPBA-16	SPPBASS-16	SPPBA-16-M	SPPBASS-16-M	16	7.25 x 19.75 x 6.75	16	2.61	2.11	5.22	6.78	
SPPBA-16S	SPPBASS-16S	SPPBA-16S-M	SPPBASS-16S-M	16	11.75 x 10.75 x 9	13	2.61	2.11	7.47	10.69	
SPPBA-20	SPPBASS-20	SPPBA-20-M	SPPBASS-20-M	20	11.75 x 13 x 9	16	2.61	2.11	7.49	10.69	
SPPBA-25	SPPBASS-25	SPPBA-25-M	SPPBASS-25-M	25	14 x 13 x 10.12	20	2.61	2.11	8.59	12.62	
SPPBA-30	SPPBASS-30	SPPBA-30-M	SPPBASS-30-M	30	14 x 15.25 x 10.12	20	2.61	2.11	8.59	12.62	

SPPBA • SPPBASS



Pushbutton Enclosures

Type 12 Large Continuous Hinge Cover Pushbutton Enclosure



APPLICATIONS - Designed to provide protection from oil, dirt, and dust. Universal holes accommodate many types of pilot lights, switches and pushbuttons.

CONSTRUCTION - Fabricated from 14 gauge carbon steel or type 304 stainless steel with continuously welded seams. Enclosures feature:

- Cover secured with captivated screws
- Oil resistant gasket applied to the cover
- External mounting feet for wall or machinery mounting
- Universal pushbutton holes (30.5mm)
- 22mm available with -m addition to part number
- Studs for optional panel included

FINISH - Standard RAL 7035 texture polyester powder coat finish on interior and exterior of enclosures. Recoatable, smooth, white or ANSI-61 gray available

at no charge. Standard RAL and custom match finishes available for an additional charge, please contact Schaefer's Electrical Enclosures, Inc. for further assistance. All powder coat finishes applied over cleaned phosphatized surfaces. Carbon steel sub panels have a white polyester powder coat finish. Stainless Steel enclosures have a polished #4 finish.

OPTIONS - Schaefer's Electrical Enclosures, Inc. can modify standard enclosures or custom design enclosures according to your specifications. Custom sizes, materials, and many more options are available. Quotations upon request.

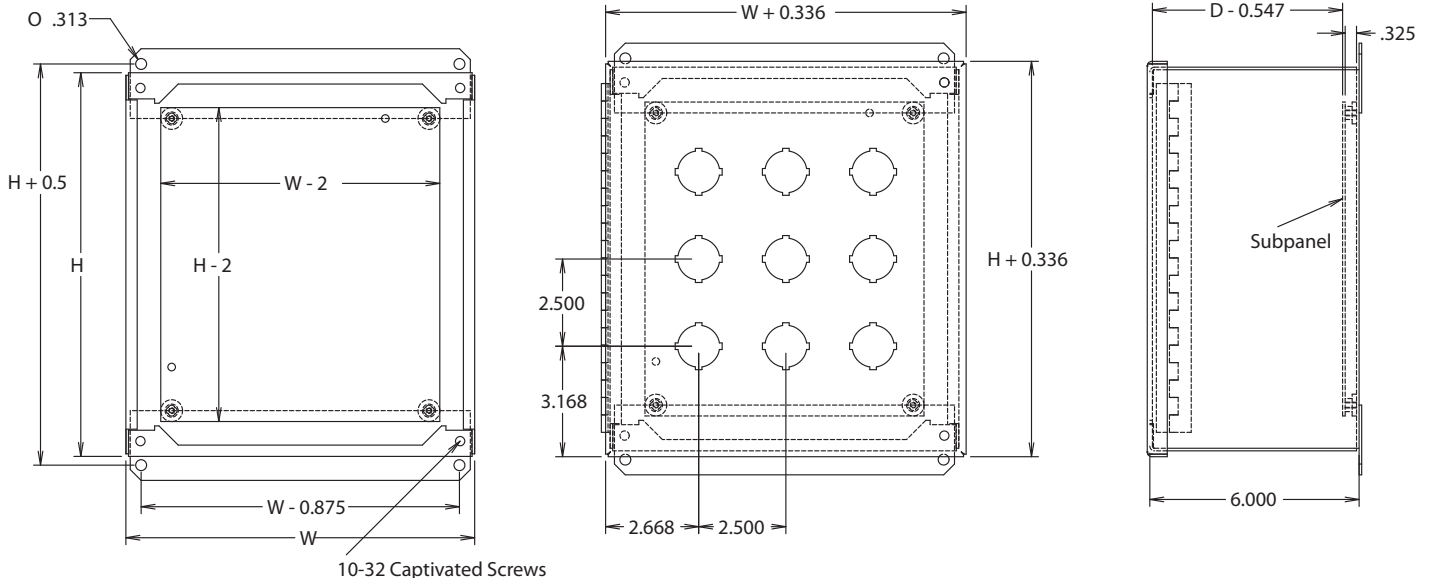
INDUSTRY STANDARDS

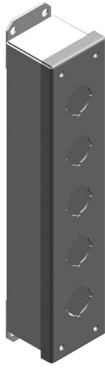
- UL 50 Listed
- CUL 50 Listed
- Type 12

Catalog Number		Sub Panel Size		Holes	Enclosure Size H x W x D	Sub Panel Part #	H x W (inches)	Shpg. Wt.
Carbon Steel 30.5mm hole	304 Stainless Steel 30.5mm hole	Carbon Steel 22.5mm hole	304 Stainless Steel 22.5mm hole					
SPPBYX-4S	SPPBYXSS-4S	SPPBYX-4S-M	SPPBYXSS-4S-M	4	8.5 x 7.5 x 6	SPPJ-6.5 x 5.5	6.5 x 5.5	10
SPPBYX-6	SPPBYXSS-6	SPPBYX-6-M	SPPBYXSS-6-M	6	11 x 7.5 x 6	SPPJ-9 x 5.5	9 x 5.5	12
SPPBYX-9	SPPBYXSS-9	SPPBYX-9-M	SPPBYXSS-9-M	9	11 x 10 x 6	SPPJ-9 x 8	9 x 8	15
SPPBYX-12	SPPBYXSS-12	SPPBYX-12-M	SPPBYXSS-12-M	12	13.5 x 10 x 6	SPPJ-11.5 x 8	11.5 x 8	17
SPPBYX-16	SPPBYXSS-16	SPPBYX-16-M	SPPBYXSS-16-M	16	13.5 x 12.5 x 6	SPPJ-11.5 x 10.5	11.5 x 10.5	19
SPPBYX-20	SPPBYXSS-20	SPPBYX-20-M	SPPBYXSS-20-M	20	16 x 12.5 x 6	SPPJ-14 x 10.5	14 x 10.5	25
SPPBYX-25	SPPBYXSS-25	SPPBYX-25-M	SPPBYXSS-25-M	25	16 x 15 x 6	SPPJ-14 x 13	14 x 13	27
SPPBYX-30	SPPBYXSS-30	SPPBYX-30-M	SPPBYXSS-30-M	30	18.5 x 15 x 6	SPPJ-16.5 x 13	16.5 x 13	29
SPPBYX-36	SPPBYXSS-36	SPPBYX-36-M	SPPBYXSS-36-M	36	18.5 x 17.5 x 6	SPPJ-16.5 x 15.5	16.5 x 15.5	34
SPPBYX-42	SPPBYXSS-42	SPPBYX-42-M	SPPBYXSS-42-M	42	21 x 17.5 x 6	SPPJ-19 x 15.5	19 x 15.5	38

Note: Sub panels must be ordered separately. Reference page 121 for sub panel layout

SPPBYX • SPPBYXSS





APPLICATIONS - Designed to provide protection from oil, dirt, and dust. Universal holes accommodate many types of pilot lights, switches and pushbuttons.

CONSTRUCTION - Fabricated from 14 gauge carbon steel or type 304 stainless steel with continuously welded seams. Enclosures feature:

- Cover secured with captivated screws
- Oil resistant gasket applied to the cover
- External mounting feet for wall or machinery mounting
- Universal pushbutton holes (30mm)
- 22mm available with -m addition to part number

FINISH - Standard RAL 7035 texture polyester powder coat finish on interior and exterior of enclosures. Recoatable, smooth, white or ANSI-61 gray available at no charge. Standard RAL and custom match finishes available for an additional

charge, please contact Schaefer's Electrical Enclosures, Inc. for further assistance. All powder coat finishes applied over cleaned phosphatized surfaces. Stainless steel enclosures have a polished #4 finish.

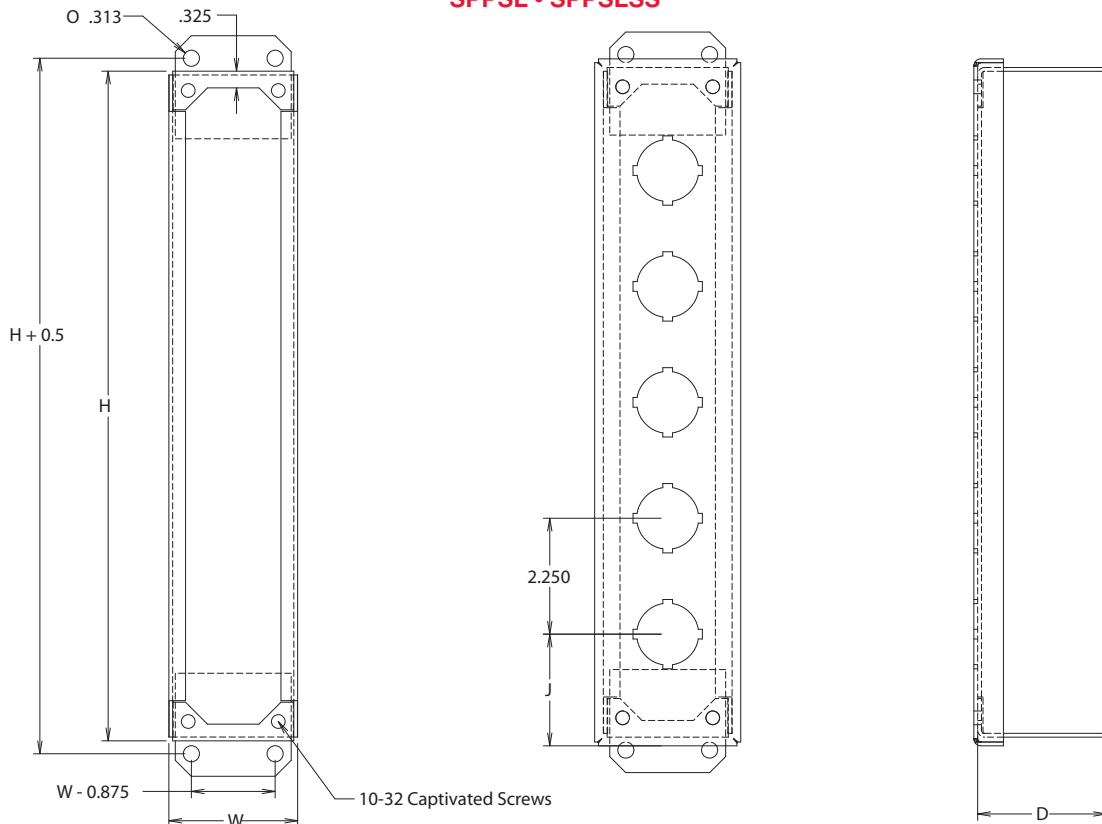
OPTIONS - Schaefer's Electrical Enclosures, Inc. can modify standard enclosures or custom design enclosures according to your specifications. Custom sizes, materials, and many more options are available. Quotations upon request.

INDUSTRY STANDARDS

- UL 50 Listed
- CUL 50 Listed
- Type 12

Catalog Number							
Carbon Steel 30mm hole	304 Stainless Steel 30mm hole	Carbon Steel 22.5mm hole	304 Stainless Steel 22.5mm hole	Holes	Enclosure Size H x W x D	Shpg. Wt.	J
SPPSL-1	SPPSLSS-1	SPPSL-1-M	SPPSLSS-1-M	1	4 x 2.5 x 2.5	2	2.168
SPPSL-2	SPPSLSS-2	SPPSL-2-M	SPPSLSS-2-M	2	6.25 x 2.5 x 2.5	3	2.168
SPPSL-3	SPPSLSS-3	SPPSL-3-M	SPPSLSS-3-M	3	8.5 x 2.5 x 2.5	3	2.168
SPPSL-4	SPPSLSS-4	SPPSL-4-M	SPPSLSS-4-M	4	10.75 x 2.5 x 2.5	4	2.168
SPPSL-5	SPPSLSS-5	SPPSL-5-M	SPPSLSS-5-M	5	13 x 2.5 x 2.5	4	2.168
SPPSL-6	SPPSLSS-6	SPPSL-6-M	SPPSLSS-6-M	6	16.25 x 2.5 x 2.5	6	2.668
SPPSL-7	SPPSLSS-7	SPPSL-7-M	SPPSLSS-7-M	7	18.5 x 2.5 x 2.5	7	2.668
SPPSL-8	SPPSLSS-8	SPPSL-8-M	SPPSLSS-8-M	8	20.75 x 2.5 x 2.5	8	2.668
SPPSL-9	SPPSLSS-9	SPPSL-9-M	SPPSLSS-9-M	9	23 x 2.5 x 2.5	8	2.668
SPPSL-10	SPPSLSS-10	SPPSL-10-M	SPPSLSS-10-M	10	25.25 x 2.5 x 2.5	8	2.668

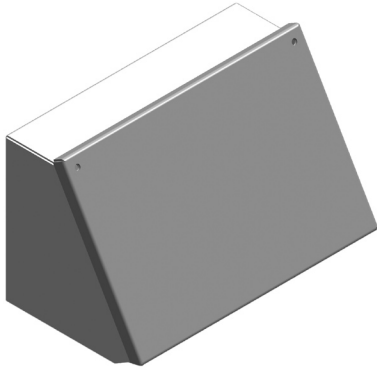
SPPSL • SPPSLSS



No Lid

Pushbutton Enclosures

Type 12 Oil-tight Consolets



APPLICATIONS - Consolets provide protection from oil, dirt, and dust. They can be mounted on either of two sides, providing a 30 degree or 60 degree inclined control surface. These enclosures can be mounted on machines, pedestals, or desk tops, etc.

CONSTRUCTION - Fabricated from 14 gauge carbon steel or type 304 stainless steel with continuously welded seams. Enclosures feature:

- Oil resistant adhesive gasket applied to the cover secured by captivated screws
- A continuous hinge with a removable hinge pin on the long side

FINISH - Standard RAL 7035 texture polyester powder coat finish on interior and exterior of enclosures. Recoatable, smooth, white or ANSI-61 gray available at no charge. Standard RAL and custom

match finishes available for an additional charge, please contact Schaefer's Electrical Enclosures, Inc. for further assistance. All powder coat finishes applied over cleaned phosphatized surfaces. Stainless steel consolets are polished with a #4 finish on six sides.

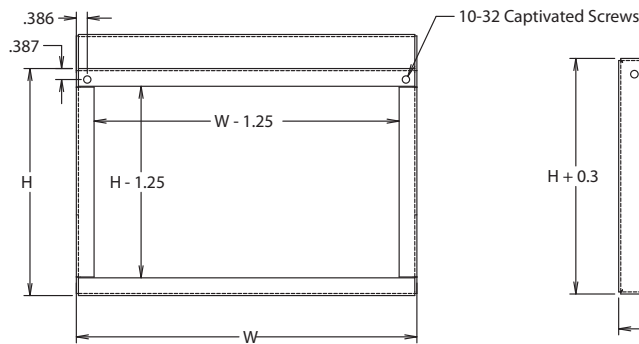
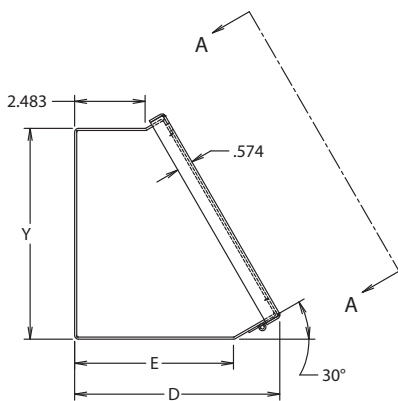
OPTIONS - Schaefer's Electrical Enclosures, Inc. can modify standard Flangeless Lay-In Wireways according to your specifications. Holes, hubs, cutouts, sizes, materials, and many more options are available. Quotations upon request.

INDUSTRY STANDARDS

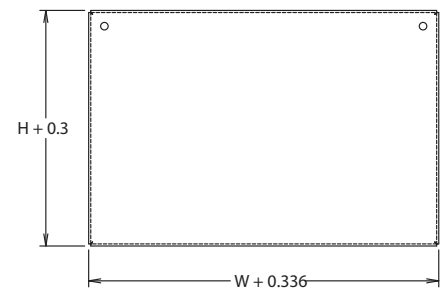
- UL 50 Listed
- CUL 50 Listed
- Type 12

Catalog Number		Surface Size	Shpg. Wt.	E (inches)	Y (inches)
Carbon Steel #	304 Stainless Steel #	H x W x D (inches)			
SPCL-8C8	SPCLSS-8C8	8 x 8 x 7.09	9	5.59	7.44
SPCL-8C12	SPCLSS-8C12	8 x 12 x 7.09	11	5.59	7.44
SPCL-8C16	SPCLSS-8C16	8 x 16 x 7.09	14	5.59	7.44
SPCL-8C20	SPCLSS-8C20	8 x 20 x 7.09	17	5.59	7.44
SPCL-12C12	SPCLSS-12C12	12 x 12 x 9.09	15	7.59	10.91
SPCL-12C16	SPCLSS-12C16	12 x 16 x 9.09	20	7.59	10.91
SPCL-12C20	SPCLSS-12C20	12 x 20 x 9.09	24	7.59	10.91
SPCL-12C24	SPCLSS-12C24	12 x 24 x 9.09	28	7.59	10.91
SPCL-16C16	SPCLSS-16C16	16 x 16 x 11.09	25	9.59	14.38
SPCL-16C20	SPCLSS-16C20	16 x 20 x 11.09	29	9.59	14.38
SPCL-16C24	SPCLSS-16C24	16 x 24 x 11.09	35	9.59	14.38
SPCL-16C30	SPCLSS-16C30	16 x 30 x 11.09	42	9.59	14.38
SPCL-16C36	SPCLSS-16C36	16 x 36 x 11.09	47	9.59	14.38
SPCL-20C20	SPCLSS-20C20	20 x 20 x 13.09	36	11.59	17.84
SPCL-20C24	SPCLSS-20C24	20 x 24 x 13.09	42	11.59	17.84
SPCL-20C30	SPCLSS-20C30	20 x 30 x 13.09	50	11.59	17.84

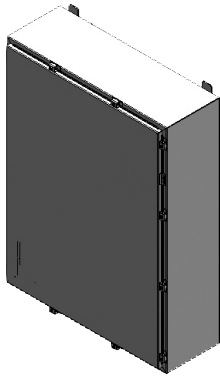
SPCL • SPCLSS



VIEW A-A
Lid Removed



Lid



APPLICATION - Designed to protect electrical controls, instruments, and/or terminals in certain outdoor applications or wet areas, where regular hosing down with water is standard procedure.

CONSTRUCTION - Fabricated from 14 gauge carbon steel, 14 gauge type 304,

type 316 stainless steel or .125" 5052 H32 aluminum with continuously welded seams. Enclosure features:

- Door is secured with heavy-duty continuous hinge with removable hinge pin and stainless steel clamps
- Padlocking hasp and staple
- Adhesive backed, oil resistant gasket applied to the doors
- Print pocket
- External mounting feet for wall or machinery mounting
- Ground studs installed inside cabinet and door
- Collar studs provided for mounting optional sub panels.

FINISH - Standard RAL 7035 texture polyester powder coat finish on interior and exterior of enclosures. Recoatable, smooth, white or ANSI-61 gray available at no charge. Standard RAL and custom

match finishes available for an additional charge, please contact Schaefer's Electrical Enclosures, Inc. for further assistance. All powder coat finishes applied over cleaned phosphatized surfaces. Carbon steel sub panels have a white polyester powder coat finish. Stainless Steel and Aluminum enclosures have a polished #4 finish.

OPTIONS - Schaefer's Electrical Enclosures, Inc. can modify standard enclosures or custom design enclosures according to your specifications. Holes, cutouts, sizes, materials, and many more options are available. Quotations upon request.

INDUSTRY STANDARDS

- UL 50 Listed
- CUL 50 Listed
- Type 4 & 4X

Carbon Steel #	Catalog Number			Enclosure Size H x W x D (inches)	Shpg. Wt.	Sub Panel Part Number	Sub Panel Size H x L (inches)
	304 Stainless Steel #	316 Stainless Steel #	Aluminum #				
SPN4-16126	SPN4SS-16126	SPN4SS6-16126	SPN4AL-16126	16 x 12 x 6	24	SPP-1612	13 x 9
SPN4-16166	SPN4SS-16166	SPN4SS6-16166	SPN4AL-16166	16 x 16 x 6	29	SPP-1616	13 x 13
SPN4-16206	SPN4SS-16206	SPN4SS6-16206	SPN4AL-16206	16 x 20 x 6	33	SPP-2016	17 x 13
SPN4-20166	SPN4SS-20166	SPN4SS6-20166	SPN4AL-20166	20 x 16 x 6	33	SPP-2016	17 x 13
SPN4-20206	SPN4SS-20206	SPN4SS6-20206	SPN4AL-20206	20 x 20 x 6	38	SPP-2020	17 x 17
SPN4-24126	SPN4SS-24126	SPN4SS6-24126	SPN4AL-24126	24 x 12 x 6	32	SPP-2412	21 x 9
SPN4-24166	SPN4SS-24166	SPN4SS6-24166	SPN4AL-24166	24 x 16 x 6	39	SPP-2416	21 x 13
SPN4-24206	SPN4SS-24206	SPN4SS6-24206	SPN4AL-24206	24 x 20 x 6	45	SPP-2420	21 x 17
SPN4-24246	SPN4SS-24246	SPN4SS6-24246	SPN4AL-24246	24 x 24 x 6	51	SPP-2424	21 x 21
SPN4-30206	SPN4SS-30206	SPN4SS6-30206	SPN4AL-30206	30 x 20 x 6	53	SPP-3020	27 x 17
SPN4-30246	SPN4SS-30246	SPN4SS6-30246	SPN4AL-30246	30 x 24 x 6	61	SPP-3024	27 x 21
SPN4-36246	SPN4SS-36246	SPN4SS6-36246	SPN4AL-36246	36 x 24 x 6	69	SPP-3624	33 x 21
SPN4-20126	SPN4SS-20126	SPN4SS6-20126	SPN4AL-20126	20 x 12 x 6	29	SPP-2012	17 x 9
SPN4-12246	SPN4SS-12246	SPN4SS6-12246	SPN4AL-12246	12 x 24 x 6	32	SPP-1224	9 x 21
SPN4-20246	SPN4SS-20246	SPN4SS6-20246	SPN4AL-20246	20 x 24 x 6	46	SPP-2024	17 x 21
SPN4-30166	SPN4SS-30166	SPN4SS6-30166	SPN4AL-30166	30 x 16 x 6	46	SPP-3016	27 x 13
SPN4-36306	SPN4SS-36306	SPN4SS6-36306	SPN4AL-36306	36 x 30 x 6	86	SPP-3630	33 x 27
SPN4-12248	SPN4SS-12248	SPN4SS6-12248	SPN4AL-12248	12 x 24 x 8	35	SPP-1224	9 x 21
SPN4-16128	SPN4SS-16128	SPN4SS6-16128	SPN4AL-16128	16 x 12 x 8	27	SPP-1612	13 x 9
SPN4-16168	SPN4SS-16168	SPN4SS6-16168	SPN4AL-16168	16 x 16 x 8	31	SPP-1616	13 x 13
SPN4-16208	SPN4SS-16208	SPN4SS6-16208	SPN4AL-16208	16 x 20 x 8	29	SPP-2016	17 x 13
SPN4-20128	SPN4SS-20128	SPN4SS6-20128	SPN4AL-20128	20 x 12 x 8	30	SPP-2012	17 x 9
SPN4-20168	SPN4SS-20168	SPN4SS6-20168	SPN4AL-20168	20 x 16 x 8	36	SPP-2016	17 x 13
SPN4-20208	SPN4SS-20208	SPN4SS6-20208	SPN4AL-20208	20 x 20 x 8	43	SPP-2020	17 x 17
SPN4-20248	SPN4SS-20248	SPN4SS6-20248	SPN4AL-20248	20 x 24 x 8	50	SPP-2020	21 x 17
SPN4-24168	SPN4SS-24168	SPN4SS6-24168	SPN4AL-24168	24 x 16 x 8	41	SPP-2416	21 x 13
SPN4-24208	SPN4SS-24208	SPN4SS6-24208	SPN4AL-24208	24 x 20 x 8	50	SPP-2420	21 x 17
SPN4-24248	SPN4SS-24248	SPN4SS6-24248	SPN4AL-24248	24 x 24 x 8	57	SPP-2424	21 x 21
SPN4-24308	SPN4SS-24308	SPN4SS6-24308	SPN4AL-24308	34 x 30 x 8	66	SPP-2424	27 x 21
SPN4-30208	SPN4SS-30208	SPN4SS6-30208	SPN4AL-30208	30 x 20 x 8	56	SPP-3020	27 x 17
SPN4-30248	SPN4SS-30248	SPN4SS6-30248	SPN4AL-30248	30 x 24 x 8	67	SPP-3024	27 x 21
SPN4-30308	SPN4SS-30308	SPN4SS6-30308	SPN4AL-30308	30 x 30 x 8	79	SPP-3030	27 x 27
SPN4-30368	SPN4SS-30368	SPN4SS6-30368	SPN4AL-30368	30 x 36 x 8	90	SPP-3030	33 x 27
SPN4-36248	SPN4SS-36248	SPN4SS6-36248	SPN4AL-36248	36 x 24 x 8	75	SPP-3624	33 x 21
SPN4-36308	SPN4SS-36308	SPN4SS6-36308	SPN4AL-36308	36 x 30 x 8	95	SPP-3630	33 x 27
SPN4-36368	SPN4SS-36368	SPN4SS6-36368	SPN4AL-36368	36 x 36 x 8	104	SPP-3636	33 x 33
SPN4-42248	SPN4SS-42248	SPN4SS6-42248	SPN4AL-42248	42 x 24 x 8	85	SPP-4224	39 x 21
SPN4-42308	SPN4SS-42308	SPN4SS6-42308	SPN4AL-42308	42 x 30 x 8	105	SPP-4230	39 x 27
SPN4-42368	SPN4SS-42368	SPN4SS6-42368	SPN4AL-42368	42 x 36 x 8	120	SPP-4236	39 x 33
SPN4-48248	SPN4SS-48248	SPN4SS6-48248	SPN4AL-48248	48 x 24 x 8	97	SPP-4824	45 x 21
SPN4-48308	SPN4SS-48308	SPN4SS6-48308	SPN4AL-48308	48 x 30 x 8	119	SPP-4830	45 x 27
SPN4-48368	SPN4SS-48368	SPN4SS6-48368	SPN4AL-48368	48 x 36 x 8	137	SPP-4836	45 x 33

NOTE: Sub panels must be ordered separately. Reference page 122 for sub panel layout.

Weights for Aluminum Enclosures are not listed. Please contact Schaefer's Electrical Enclosures, Inc. for weight.

Wall Mount Enclosures

Type 4 & 4X Single Door

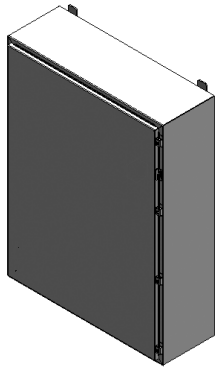


Carbon Steel #	Catalog Number			Enclosure Size H x W x D (inches)	Shpg. Wt.	Sub Panel Part Number	Sub Panel Size H x L (inches)
	304 Stainless Steel #	316 Stainless Steel #	Aluminum #				
SPN4-60368	SPN4SS-60368	SPN4SS6-60368	SPN4AL-60368	60 x 36 x 8	164	SPP-6036	57 x 33
SPN4-161210	SPN4SS-161210	SPN4SS6-161210	SPN4AL-161210	16 x 12 x 10	29	SPP-1612	13 x 9
SPN4-201610	SPN4SS-201610	SPN4SS6-201610	SPN4AL-201610	20 x 16 x 10	39	SPP-2016	17 x 13
SPN4-241210	SPN4SS-241210	SPN4SS6-241210	SPN4AL-241210	24 x 12 x 10	39	SPP-2412	21 x 9
SPN4-242010	SPN4SS-242010	SPN4SS6-242010	SPN4AL-242010	24 x 20 x 10	53	SPP-2420	21 x 17
SPN4-302010	SPN4SS-302010	SPN4SS6-302010	SPN4AL-302010	30 x 20 x 10	60	SPP-3020	27 x 17
SPN4-242410	SPN4SS-242410	SPN4SS6-242410	SPN4AL-242410	24 x 24 x 10	63	SPP-2424	21 x 21
SPN4-302410	SPN4SS-302410	SPN4SS6-302410	SPN4AL-302410	30 x 24 x 10	73	SPP-3024	27 x 21
SPN4-362410	SPN4SS-362410	SPN4SS6-362410	SPN4AL-362410	36 x 24 x 10	82	SPP-3624	33 x 21
SPN4-363010	SPN4SS-363010	SPN4SS6-363010	SPN4AL-363010	36 x 30 x 10	100	SPP-3630	33 x 27
SPN4-423010	SPN4SS-423010	SPN4SS6-423010	SPN4AL-423010	42 x 30 x 10	116	SPP-4230	39 x 27
SPN4-423610	SPN4SS-423610	SPN4SS6-423610	SPN4AL-423610	42 x 36 x 10	124	SPP-4236	39 x 33
SPN4-483010	SPN4SS-483010	SPN4SS6-483010	SPN4AL-483010	48 x 30 x 10	124	SPP-4830	45 x 27
SPN4-483610	SPN4SS-483610	SPN4SS6-483610	SPN4AL-483610	48 x 36 x 10	148	SPP-4836	45 x 33
SPN4-603610	SPN4SS-603610	SPN4SS6-603610	SPN4AL-603610	60 x 36 x 10	166	SPP-6036	57 x 33
SPN4-201612	SPN4SS-201612	SPN4SS6-201612	SPN4AL-201612	20 x 16 x 12	42	SPP-2016	17 x 13
SPN4-242012	SPN4SS-242012	SPN4SS6-242012	SPN4AL-242012	24 x 20 x 12	57	SPP-2420	21 x 17
SPN4-242412	SPN4SS-242412	SPN4SS6-242412	SPN4AL-242412	24 x 24 x 12	64	SPP-2424	21 x 21
SPN4-302412	SPN4SS-302412	SPN4SS6-302412	SPN4AL-302412	30 x 24 x 12	77	SPP-3024	27 x 21
SPN4-303012	SPN4SS-303012	SPN4SS6-303012	SPN4AL-303012	30 x 30 x 12	94	SPP-3030	27 x 27
SPN4-362412	SPN4SS-362412	SPN4SS6-362412	SPN4AL-362412	36 x 24 x 12	89	SPP-3624	33 x 21
SPN4-363012	SPN4SS-363012	SPN4SS6-363012	SPN4AL-363012	36 x 30 x 12	103	SPP-3630	33 x 27
SPN4-423012	SPN4SS-423012	SPN4SS6-423012	SPN4AL-423012	42 x 30 x 12	122	SPP-4230	39 x 27
SPN4-723012	SPN4SS-723012	SPN4SS6-723012	SPN4AL-723012	72 x 30 x 12	181	SPP-7230	69 x 27
SPN4-363612	SPN4SS-363612	SPN4SS6-363612	SPN4AL-363612	36 x 36 x 12	127	SPP-3636	33 x 33
SPN4-423612	SPN4SS-423612	SPN4SS6-423612	SPN4AL-423612	42 x 36 x 12	135	SPP-4236	39 x 33
SPN4-483612	SPN4SS-483612	SPN4SS6-483612	SPN4AL-483612	48 x 36 x 12	152	SPP-4836	45 x 33
SPN4-603612	SPN4SS-603612	SPN4SS6-603612	SPN4AL-603612	60 x 36 x 12	190	SPP-6036	57 x 33
SPN4-723612	SPN4SS-723612	SPN4SS6-723612	SPN4AL-723612	72 x 36 x 12	215	SPP-7236	69 x 33
SPN4-242016	SPN4SS-242016	SPN4SS6-242016	SPN4AL-242016	24 x 20 x 16	67	SPP-2420	21 x 17
SPN4-242416	SPN4SS-242416	SPN4SS6-242416	SPN4AL-242416	24 x 24 x 16	75	SPP-2424	21 x 21
SPN4-302416	SPN4SS-302416	SPN4SS6-302416	SPN4AL-302416	30 x 24 x 16	88	SPP-3024	27 x 21
SPN4-363016	SPN4SS-363016	SPN4SS6-363016	SPN4AL-363016	36 x 30 x 16	121	SPP-3630	33 x 27
SPN4-723016	SPN4SS-723016	SPN4SS6-723016	SPN4AL-723016	72 x 30 x 16	206	SPP-7230	69 x 27
SPN4-423616	SPN4SS-423616	SPN4SS6-423616	SPN4AL-423616	42 x 36 x 16	155	SPP-4236	39 x 33
SPN4-483616	SPN4SS-483616	SPN4SS6-483616	SPN4AL-483616	48 x 36 x 16	170	SPP-4836	45 x 33
SPN4-603616	SPN4SS-603616	SPN4SS6-603616	SPN4AL-603616	60 x 36 x 16	199	SPP-6036	57 x 33
SPN4-302420	SPN4SS-302420	SPN4SS6-302420	SPN4AL-302420	30 x 24 x 20	96	SPP-3024	27 x 21
SPN4-363020	SPN4SS-363020	SPN4SS6-363020	SPN4AL-363020	36 x 30 x 20	127	SPP-3630	33 x 27
SPN4-723020	SPN4SS-723020	SPN4SS6-723020	SPN4AL-723020	72 x 30 x 20	227	SPP-7230	69 x 27
SPN4-483620	SPN4SS-483620	SPN4SS6-483620	SPN4AL-483620	48 x 36 x 20	190	SPP-4836	45 x 33
SPN4-603620	SPN4SS-603620	SPN4SS6-603620	SPN4AL-603620	60 x 36 x 20	240	SPP-6036	57 x 33
SPN4-302424	SPN4SS-302424	SPN4SS6-302424	SPN4AL-302424	30 x 24 x 24	109	SPP-3024	27 x 21
SPN4-723024	SPN4SS-723024	SPN4SS6-723024	SPN4AL-723024	72 x 30 x 24	243	SPP-7230	69 x 27

NOTE: Sub panels must be ordered separately. Reference page 122 for sub panel layout.
Weights for Aluminum Enclosures are not listed. Please contact Schaefer's Electrical Enclosures, Inc. for weight.

Wall Mount Enclosures

Type 12 Single Door



APPLICATIONS - Designed to offer protection for electrical controls, instruments, and terminals from dust, dripping liquids, oil, and dirt.

CONSTRUCTION - Fabricated from 14 gauge carbon steel, 14 gauge type 304,

type 316 stainless steel, or .125" 5052 H32 aluminum with continuous welded seams. Enclosure features:

- Door is secured with heavy-duty continuous hinge with removable hinge pin and clamps.
- Padlocking hasp and staple.
- Adhesive backed, oil resistant gasket applied to the doors.
- Print pocket.
- External mounting feet for wall or machinery mounting.
- Ground studs installed inside cabinet and door.
- Collar studs provided for mounting optional sub panels.

FINISH - Standard RAL 7035 texture polyester powder coat finish on interior and exterior of enclosures. Recoatable, smooth, white or ANSI-61 gray available

at no charge. Standard RAL and custom match finishes available for an additional charge, please contact Schaefer's Electrical Enclosures, Inc. for further assistance. All powder coat finishes applied over cleaned phosphatized surfaces. Carbon steel sub panel have a white polyester powder coat finish. Stainless Steel and Aluminum enclosures have a polished #4 finish.

OPTIONS - Schaefer's Electrical Enclosures, Inc. can modify standard enclosures or custom design enclosures according to your specifications. Holes, cutouts, louvers, sizes, materials, and many more options are available. Quotations upon request.

INDUSTRY STANDARDS

- UL 50 Listed
- CUL 50 Listed
- Type 12

Carbon Steel #	Catalog Number			Enclosure Size H x W x D (inches)	Shpg. Wt.	Sub Panel Part Number	Sub Panel Size (H x L)
	304 Stainless Steel #	316 Stainless Steel #	Aluminum #				
SPN12-16126	SPN12SS-16126	SPN12SS6-16126	SPN12AL-16126	16 x 12 x 6	24	SPP-1612	13 x 9
SPN12-20126	SPN12SS-20126	SPN12SS6-20126	SPN12AL-20126	20 x 12 x 6	29	SPP-2012	17 x 9
SPN12-24126	SPN12SS-24126	SPN12SS6-24126	SPN12AL-24126	24 x 12 x 6	32	SPP-2412	21 x 9
SPN12-16166	SPN12SS-16166	SPN12SS6-16166	SPN12AL-16166	16 x 16 x 6	29	SPP-1616	13 x 13
SPN12-20166	SPN12SS-20166	SPN12SS6-20166	SPN12AL-20166	20 x 16 x 6	33	SPP-2016	17 x 13
SPN12-24166	SPN12SS-24166	SPN12SS6-24166	SPN12AL-24166	24 x 16 x 6	39	SPP-2416	21 x 13
SPN12-30166	SPN12SS-30166	SPN12SS6-30166	SPN12AL-30166	30 x 16 x 6	46	SPP-3016	27 x 13
SPN12-16206	SPN12SS-16206	SPN12SS6-16206	SPN12AL-16206	16 x 20 x 6	33	SPP-2016	17 x 13
SPN12-20206	SPN12SS-20206	SPN12SS6-20206	SPN12AL-20206	20 x 20 x 6	38	SPP-2020	17 x 17
SPN12-24206	SPN12SS-24206	SPN12SS6-24206	SPN12AL-24206	24 x 20 x 6	45	SPP-2420	21 x 17
SPN12-30206	SPN12SS-30206	SPN12SS6-30206	SPN12AL-30206	30 x 20 x 6	53	SPP-3020	27 x 17
SPN12-12246	SPN12SS-12246	SPN12SS6-12246	SPN12AL-12246	12 x 24 x 6	32	SPP-2412	21 x 9
SPN12-20246	SPN12SS-20246	SPN12SS6-20246	SPN12AL-20246	20 x 24 x 6	46	SPP-2420	17 x 21
SPN12-24246	SPN12SS-24246	SPN12SS6-24246	SPN12AL-24246	24 x 24 x 6	51	SPP-2424	21 x 21
SPN12-30246	SPN12SS-30246	SPN12SS6-30246	SPN12AL-30246	30 x 24 x 6	61	SPP-3024	21 x 21
SPN12-36246	SPN12SS-36246	SPN12SS6-36246	SPN12AL-36246	36 x 24 x 6	69	SPP-3624	33 x 21
SPN12-36306	SPN12SS-36306	SPN12SS6-36306	SPN12AL-36306	36 x 30 x 6	86	SPP-3630	33 x 27
SPN12-12248	SPN12SS-12248	SPN12SS6-12248	SPN12AL-12248	12 x 24 x 8	35	SPP-2412	9 x 21
SPN12-16128	SPN12SS-16128	SPN12SS6-16128	SPN12AL-16128	16 x 12 x 8	27	SPP-1612	13 x 9
SPN12-16168	SPN12SS-16168	SPN12SS6-16168	SPN12AL-16168	16 x 16 x 8	31	SPP-1616	13 x 13
SPN12-16208	SPN12SS-16208	SPN12SS6-16208	SPN12AL-16208	16 x 20 x 8	29	SPP-2016	13 x 17
SPN12-20128	SPN12SS-20128	SPN12SS6-20128	SPN12AL-20128	20 x 12 x 8	30	SPP-2012	17 x 9
SPN12-20168	SPN12SS-20168	SPN12SS6-20168	SPN12AL-20168	20 x 16 x 8	36	SPP-2016	17 x 13
SPN12-20208	SPN12SS-20208	SPN12SS6-20208	SPN12AL-20208	20 x 20 x 8	43	SPP-2020	17 x 17
SPN12-20248	SPN12SS-20248	SPN12SS6-20248	SPN12AL-20248	20 x 24 x 8	50	SPP-2420	17 x 21
SPN12-24168	SPN12SS-24168	SPN12SS6-24168	SPN12AL-24168	24 x 16 x 8	41	SPP-2416	21 x 13
SPN12-24208	SPN12SS-24208	SPN12SS6-24208	SPN12AL-24208	24 x 20 x 8	50	SPP-2420	21 x 17
SPN12-24248	SPN12SS-24248	SPN12SS6-24248	SPN12AL-24248	24 x 24 x 8	57	SPP-2424	21 x 21
SPN12-24308	SPN12SS-24308	SPN12SS6-24308	SPN12AL-24308	24 x 30 x 8	66	SPP-3024	21 x 27
SPN12-30208	SPN12SS-30208	SPN12SS6-30208	SPN12AL-30208	30 x 20 x 8	56	SPP-3020	27 x 17
SPN12-30248	SPN12SS-30248	SPN12SS6-30248	SPN12AL-30248	30 x 24 x 8	67	SPP-3024	27 x 21
SPN12-36248	SPN12SS-36248	SPN12SS6-36248	SPN12AL-36248	36 x 24 x 8	75	SPP-3624	33 x 21
SPN12-42248	SPN12SS-42248	SPN12SS6-42248	SPN12AL-42248	42 x 24 x 8	85	SPP-4224	39 x 21
SPN12-48248	SPN12SS-48248	SPN12SS6-48248	SPN12AL-48248	48 x 24 x 8	97	SPP-4824	45 x 21
SPN12-30308	SPN12SS-30308	SPN12SS6-30308	SPN12AL-30308	30 x 30 x 8	79	SPP-3030	27 x 27
SPN12-36308	SPN12SS-36308	SPN12SS6-36308	SPN12AL-36308	36 x 30 x 8	95	SPP-3630	33 x 27
SPN12-42308	SPN12SS-42308	SPN12SS6-42308	SPN12AL-42308	42 x 30 x 8	105	SPP-4230	39 x 27
SPN12-48308	SPN12SS-48308	SPN12SS6-48308	SPN12AL-48308	48 x 30 x 8	119	SPP-4830	45 x 27
SPN12-30368	SPN12SS-30368	SPN12SS6-30368	SPN12AL-30368	30 x 36 x 8	90	SPP-3630	27 x 33
SPN12-36368	SPN12SS-36368	SPN12SS6-36368	SPN12AL-36368	36 x 36 x 8	104	SPP-3636	33 x 33
SPN12-42368	SPN12SS-42368	SPN12SS6-42368	SPN12AL-42368	42 x 36 x 8	120	SPP-4236	39 x 33

NOTE: Sub panels must be ordered separately. Reference page 122 for sub panel layout.

Weights for Aluminum Enclosures are not listed. Please contact Schaefer's Electrical Enclosures, Inc. for weight.

Carbon Steel #	Catalog Number			Enclosure Size H x W x D (inches)	Shpg. Wt.	Sub Panel Part Number	Sub Panel Size (H x L)
	304 Stainless Steel #	316 Stainless Steel #	Aluminum #				
SPN12-48368	SPN12SS-48368	SPN12SS6-48368	SPN12AL-48368	48 x 36 x 8	137	SPP-4836	45 x 33
SPN12-60368	SPN12SS-60368	SPN12SS6-60368	SPN12AL-60368	60 x 36 x 8	164	SPP-6036	57 x 33
SPN12-161210	SPN12SS-161210	SPN12SS6-161210	SPN12AL-161210	16 x 12 x 10	29	SPP-1612	13 x 9
SPN12-241210	SPN12SS-241210	SPN12SS6-241210	SPN12AL-241210	24 x 12 x 10	39	SPP-2412	21 x 9
SPN12-201610	SPN12SS-201610	SPN12SS6-201610	SPN12AL-201610	20 x 16 x 10	39	SPP-2016	17 x 13
SPN12-242010	SPN12SS-242010	SPN12SS6-242010	SPN12AL-242010	24 x 20 x 10	53	SPP-2420	21 x 17
SPN12-302010	SPN12SS-302010	SPN12SS6-302010	SPN12AL-302010	30 x 20 x 10	60	SPP-3020	27 x 17
SPN12-242410	SPN12SS-242410	SPN12SS6-242410	SPN12AL-242410	24 x 24 x 10	63	SPP-2424	21 x 21
SPN12-302410	SPN12SS-302410	SPN12SS6-302410	SPN12AL-302410	30 x 24 x 10	73	SPP-3024	27 x 21
SPN12-362410	SPN12SS-362410	SPN12SS6-362410	SPN12AL-362410	36 x 24 x 10	82	SPP-3624	33 x 21
SPN12-363010	SPN12SS-363010	SPN12SS6-363010	SPN12AL-363010	36 x 30 x 10	100	SPP-3630	33 x 27
SPN12-423010	SPN12SS-423010	SPN12SS6-423010	SPN12AL-423010	42 x 30 x 10	116	SPP-4230	39 x 27
SPN12-423010	SPN12SS-423010	SPN12SS6-423010	SPN12AL-423010	42 x 30 x 10	111	SPP-4230	39 x 27
SPN12-483010	SPN12SS-483010	SPN12SS6-483010	SPN12AL-483010	48 x 30 x 10	124	SPP-4830	45 x 27
SPN12-423610	SPN12SS-423610	SPN12SS6-423610	SPN12AL-423610	42 x 36 x 10	124	SPP-4236	39 x 33
SPN12-483010	SPN12SS-483010	SPN12SS6-483010	SPN12AL-483010	48 x 30 x 10	124	SPP-4830	45 x 27
SPN12-483610	SPN12SS-483610	SPN12SS6-483610	SPN12AL-483610	48 x 36 x 10	148	SPP-4836	45 x 33
SPN12-603610	SPN12SS-603610	SPN12SS6-603610	SPN12AL-603610	60 x 36 x 10	166	SPP-6036	57 x 33
SPN12-201612	SPN12SS-201612	SPN12SS6-201612	SPN12AL-201612	20 x 16 x 12	42	SPP-2016	17 x 13
SPN12-242012	SPN12SS-242012	SPN12SS6-242012	SPN12AL-242012	24 x 20 x 12	57	SPP-2420	21 x 17
SPN12-242412	SPN12SS-242412	SPN12SS6-242412	SPN12AL-242412	24 x 24 x 12	64	SPP-2424	21 x 21
SPN12-302412	SPN12SS-302412	SPN12SS6-302412	SPN12AL-302412	30 x 24 x 12	77	SPP-3024	27 x 21
SPN12-362412	SPN12SS-362412	SPN12SS6-362412	SPN12AL-362412	36 x 24 x 12	89	SPP-3624	33 x 21
SPN12-303012	SPN12SS-303012	SPN12SS6-303012	SPN12AL-303012	30 x 30 x 12	94	SPP-3030	27 x 27
SPN12-363012	SPN12SS-363012	SPN12SS6-363012	SPN12AL-363012	36 x 30 x 12	103	SPP-3630	33 x 27
SPN12-423012	SPN12SS-423012	SPN12SS6-423012	SPN12AL-423012	42 x 30 x 12	122	SPP-4230	39 x 27
SPN12-723012	SPN12SS-723012	SPN12SS6-723012	SPN12AL-723012	72 x 30 x 12	181	SPP-7230	69 x 27
SPN12-363612	SPN12SS-363612	SPN12SS6-363612	SPN12AL-363612	36 x 36 x 12	127	SPP-3636	33 x 33
SPN12-423612	SPN12SS-423612	SPN12SS6-423612	SPN12AL-423612	42 x 63 x 12	135	SPP-4236	39 x 33
SPN12-483612	SPN12SS-483612	SPN12SS6-483612	SPN12AL-483612	48 x 36 x 12	152	SPP-4836	45 x 33
SPN12-603612	SPN12SS-603612	SPN12SS6-603612	SPN12AL-603612	60 x 36 x 12	176	SPP-6036	57 x 33
SPN12-723612	SPN12SS-723612	SPN12SS6-723612	SPN12AL-723612	72 x 36 x 12	215	SPP-7236	69 x 33
SPN12-242016	SPN12SS-242016	SPN12SS6-242016	SPN12AL-242016	24 x 20 x 16	67	SPP-2420	21 x 17
SPN12-242416	SPN12SS-242416	SPN12SS6-242416	SPN12AL-242416	24 x 24 x 16	75	SPP-2424	21 x 21
SPN12-302416	SPN12SS-302416	SPN12SS6-302416	SPN12AL-302416	30 x 24 x 16	88	SPP-3024	27 x 21
SPN12-363016	SPN12SS-363016	SPN12SS6-363016	SPN12AL-363016	36 x 30 x 16	121	SPP-3630	33 x 27
SPN12-723016	SPN12SS-723016	SPN12SS6-723016	SPN12AL-723016	72 x 30 x 16	206	SPP-7230	69 x 27
SPN12-423616	SPN12SS-423616	SPN12SS6-423616	SPN12AL-423616	42 x 36 x 16	155	SPP-4236	39 x 33
SPN12-483616	SPN12SS-483616	SPN12SS6-483616	SPN12AL-483616	48 x 36 x 16	170	SPP-4836	45 x 33
SPN12-603616	SPN12SS-603616	SPN12SS6-603616	SPN12AL-603616	60 x 36 x 16	199	SPP-6036	57 x 33
SPN12-302420	SPN12SS-302420	SPN12SS6-302420	SPN12AL-302420	30 x 24 x 20	96	SPP-3024	27 x 21
SPN12-363020	SPN12SS-363020	SPN12SS6-363020	SPN12AL-363020	36 x 30 x 20	127	SPP-3630	33 x 27
SPN12-483620	SPN12SS-483620	SPN12SS6-483620	SPN12AL-483620	48 x 36 x 20	170	SPP-4836	45 x 33
SPN12-603620	SPN12SS-603620	SPN12SS6-603620	SPN12AL-603620	60 x 36 x 20	219	SPP-6036	57 x 33
SPN12-723020	SPN12SS-723020	SPN12SS6-723020	SPN12AL-723020	72 x 30 x 20	227	SPP-7230	69 x 27
SPN12-302424	SPN12SS-302424	SPN12SS6-302424	SPN12AL-302424	30 x 24 x 24	109	SPP-3024	27 x 21
SPN12-723024	SPN12SS-723024	SPN12SS6-723024	SPN12AL-723024	72 x 30 x 24	243	SPP-7230	69 x 27

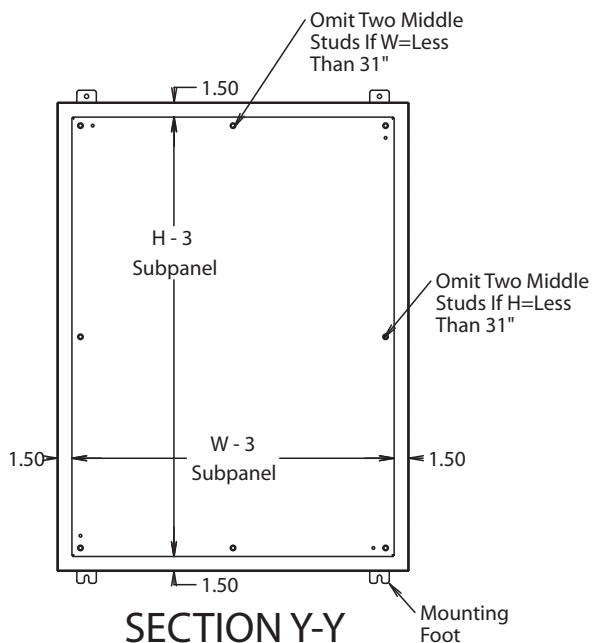
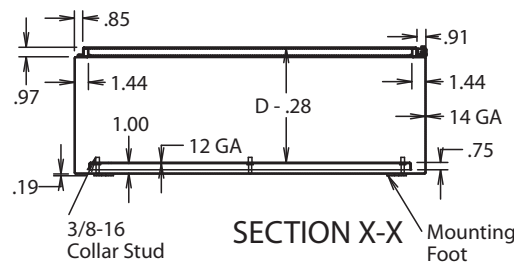
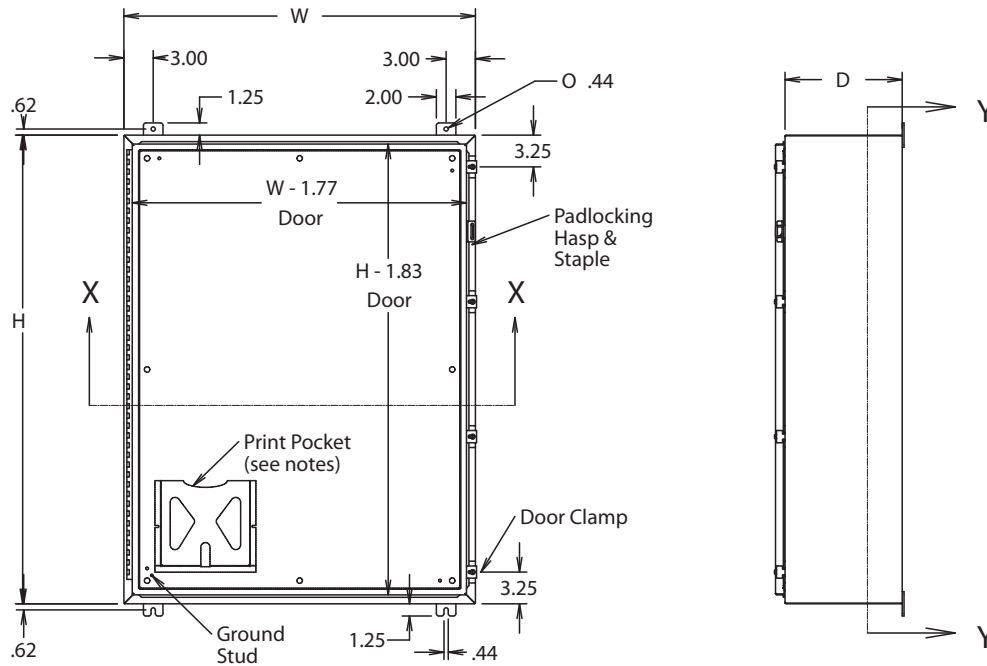
NOTE: Sub panels must be ordered separately. Reference page 122 for sub panel layout.

Weights for Aluminum Enclosures are not listed. Please contact Schaefer's Electrical Enclosures, Inc. for weight.

Wall Mount Enclosures

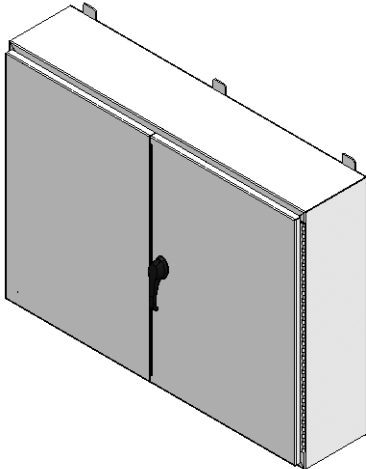
Type 12 Single Door

SPN12 • SPN12SS • SPN12SS6 • SPN12AL



NOTES:

1. Print pocket = 6" x 6" when H and W are 24" or less.
Print pocket = 9" x 9" when H and W are greater than 24".
2. Panels will have formed flanges when either Height or Width is greater than or equal to 18".
3. On 12" wide enclosures, center of mounting foot to edge of enclosure is 1.25".



APPLICATIONS - Designed to provide protection for electrical controls, instruments, and terminals from dust, dripping liquids, dirt, and oil.

CONSTRUCTION - Fabricated from 14 gauge carbon steel, type 304 or type 316 stainless steel with continuous welded seams. Enclosure features:

- Overlapping doors are secured with continuous hinges with removable hinge pins and key locking handle with three point latching system.
- Adhesive backed, oil resistant gasket applied to the doors.
- Print pocket.
- External mounting feet for wall or machinery mounting.
- Ground studs installed inside cabinet and door.
- Collar studs provided for mounting optional sub panels.

FINISH - Standard RAL 7035 texture polyester powder coat finish on interior

and exterior of enclosures. Recoatable, smooth, white or ANSI-61 gray available at no charge. Standard RAL and custom match finishes available for an additional charge, please contact Schaefer's Electrical Enclosures, Inc. for further assistance. All powder coat finishes applied over cleaned phosphatized surfaces. Carbon steel sub panels have a white polyester powder coat finish. Stainless Steel enclosures have a polished #4 finish.

OPTIONS - Schaefer's Electrical Enclosures, Inc. can modify standard enclosures or custom design enclosures according to your specifications. Holes, hubs, cutouts, louvers, sizes, materials, and many more options are available. Quotations upon request.

INDUSTRY STANDARDS

- UL 50 Listed
- CUL 50 Listed
- Type 12

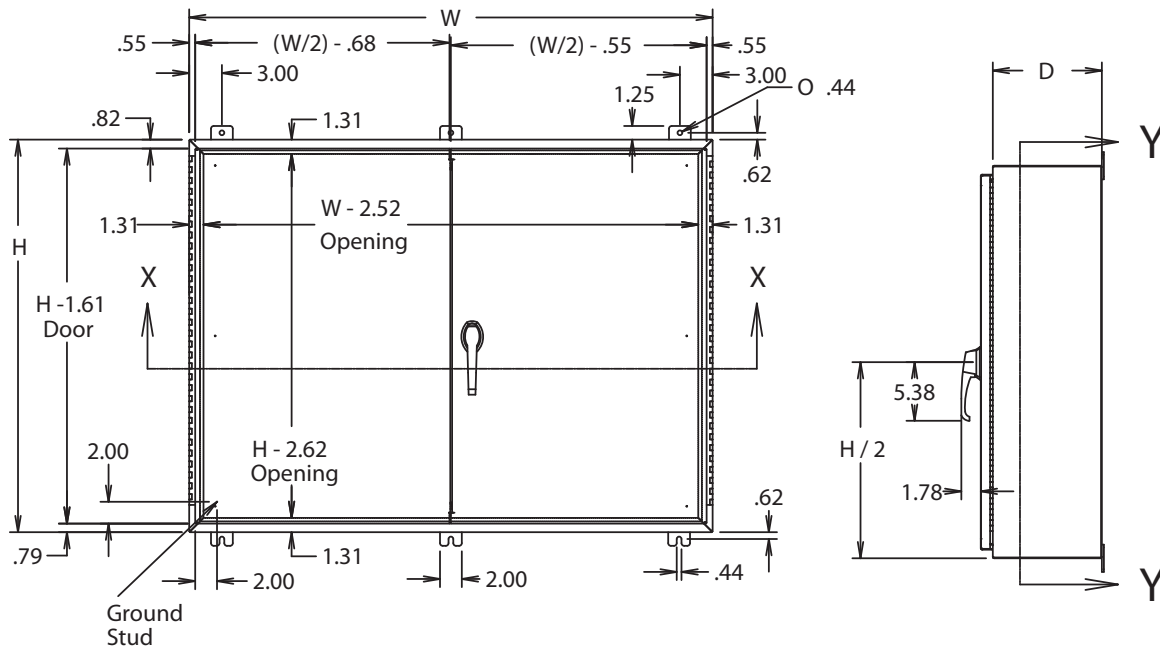
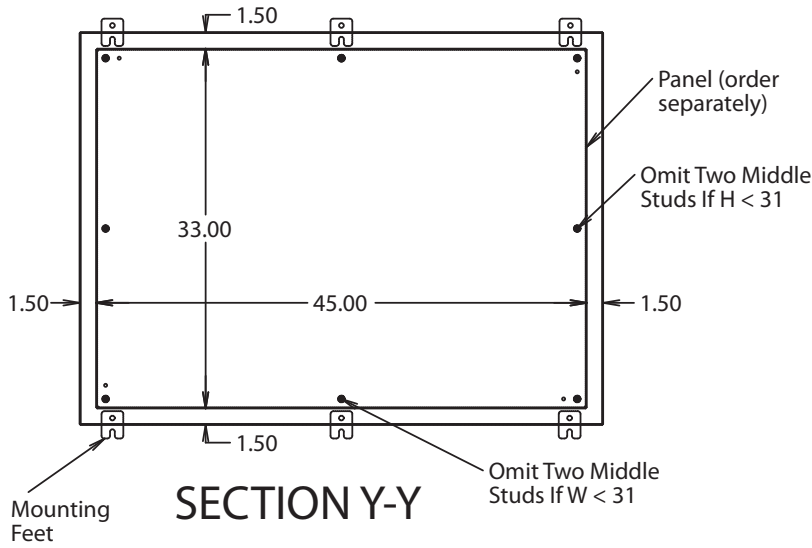
Carbon Steel #	Catalog Number		Enclosure Size		Sub Panel Part Number	Sub Panel Size	
	304 Stainless Steel #	316 Stainless Steel #	H x W x D (inches)	Shpg. Wt.		H x W (inches)	
SPWF-244208	SPWFSS-244208	SPWFSS6-244208	24 x 42 x 8	94	SPP-4224	21 x 39	
SPWF-244808	SPWFSS-244808	SPWFSS6-244808	24 x 48 x 8	106	SPP-4824	21 x 45	
SPWF-304210	SPWFSS-304210	SPWFSS6-304210	30 x 42 x 10	121	SPP-4230	27 x 39	
SPWF-304810	SPWFSS-304810	SPWFSS6-304810	30 x 48 x 10	136	SPP-4830	27 x 45	
SPWF-306010	SPWFSS-306010	SPWFSS6-306010	30 x 60 x 10	165	SPP-6030	27 x 57	
SPWF-304212	SPWFSS-304212	SPWFSS6-304212	30 x 42 x 12	130	SPP-4230	27 x 39	
SPWF-364212	SPWFSS-364212	SPWFSS6-364212	36 x 42 x 12	150	SPP-4236	33 x 39	
SPWF-424212	SPWFSS-424212	SPWFSS6-424212	42 x 42 x 12	170	SPP-4242	39 x 39	
SPWF-304812	SPWFSS-304812	SPWFSS6-304812	30 x 48 x 12	145	SPP-4830	27 x 45	
SPWF-364812	SPWFSS-364812	SPWFSS6-364812	36 x 48 x 12	167	SPP-4836	33 x 45	
SPWF-424812	SPWFSS-424812	SPWFSS6-424812	42 x 48 x 12	189	SPP-4248	39 x 45	
SPWF-484812	SPWFSS-484812	SPWFSS6-484812	48 x 48 x 12	212	SPP-4848	45 x 45	
SPWF-306012	SPWFSS-306012	SPWFSS6-306012	30 x 60 x 10	176	SPP-6030	27 x 57	
SPWF-366012	SPWFSS-366012	SPWFSS6-366012	36 x 60 x 12	203	SPP-6036	33 x 57	
SPWF-426012	SPWFSS-426012	SPWFSS6-426012	42 x 60 x 12	229	SPP-4260	39 x 57	
SPWF-486012	SPWFSS-486012	SPWFSS6-486012	48 x 60 x 12	256	SPP-6048	45 x 57	
SPWF-606012	SPWFSS-606012	SPWFSS6-606012	60 x 60 x 12	308	SPP-6060	57 x 57	
SPWF-304216	SPWFSS-304216	SPWFSS6-304216	30 x 42 x 16	148	SPP-4230	27 x 39	
SPWF-364216	SPWFSS-364216	SPWFSS6-364216	36 x 42 x 16	169	SPP-4236	33 x 39	
SPWF-424216	SPWFSS-424216	SPWFSS6-424216	42 x 42 x 16	190	SPP-4242	39 x 39	
SPWF-306016	SPWFSS-306016	SPWFSS6-306016	30 x 60 x 16	198	SPP-6030	27 x 57	
SPWF-364816	SPWFSS-364816	SPWFSS6-364816	36 x 48 x 16	188	SPP-4836	33 x 45	
SPWF-366016	SPWFSS-366016	SPWFSS6-366016	36 x 60 x 16	226	SPP-6036	33 x 57	
SPWF-424816	SPWFSS-424816	SPWFSS6-424816	42 x 48 x 16	212	SPP-4248	39 x 45	
SPWF-484816	SPWFSS-484816	SPWFSS6-484816	48 x 48 x 16	235	SPP-4848	45 x 45	
SPWF-486016	SPWFSS-486016	SPWFSS6-486016	48 x 60 x 16	282	SPP-6048	45 x 57	
SPWF-426016	SPWFSS-426016	SPWFSS6-426016	42 x 60 x 16	254	SPP-4260	39 x 57	
SPWF-606016	SPWFSS-606016	SPWFSS6-606016	60 x 60 x 16	338	SPP-6060	57 x 57	

* Sub panels must be ordered separately. Reference page 122 for sub panel layout

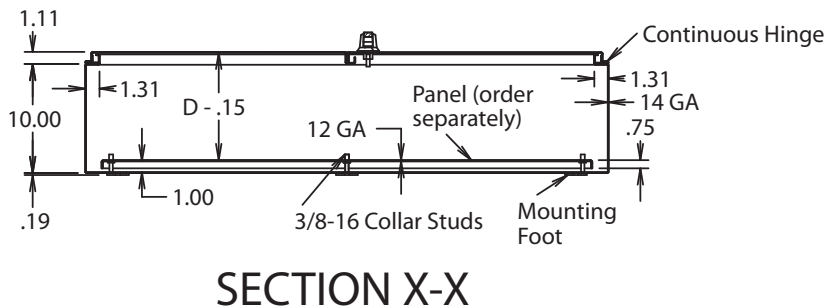
Wall Mount Enclosures

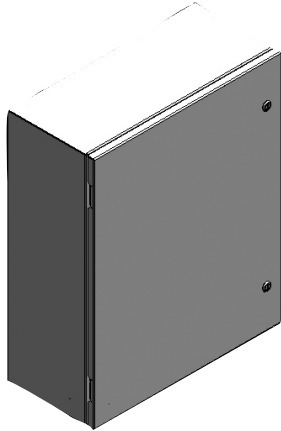
Type 12 Double Door

SPWF • SPWFSS • SPWFSS6



- NOTES:**
1. 9" x 9" Print pocket shipped inside enclosure.





APPLICATION - Designed to house electrical controls, instruments, and terminals in a variety of environments, including wet environments.

CONSTRUCTION - Fabricated from 14 gauge carbon steel, type 304 or type 316 stainless steel with continuously welded seams. Enclosure features:

- Minimum width trough shaped body flange and hidden hinge design providing full 180 degree door opening while excluding liquids and contaminants
- Door is secured with concealed lift-off hinges and slotted quarter-turn latch - *Standard quarter turn latches can be replaced with a variety of optional latches*
- Adhesive backed, oil resistant gasket applied to the doors
- Print pocket
- Holes are provided for wall or machinery mounting, options include bolt-on or weld-on mounting feet
- Ground studs installed inside cabinet and door
- Collar studs provided for mounting optional sub panel.

FINISH - Standard RAL 7035 texture polyester powder coat finish on interior and exterior of enclosures. Recoatable, smooth, white or ANSI-61 gray available

at no charge. Standard RAL and custom match finishes available for an additional charge, please contact Schaefer's Electrical Enclosures, Inc. for further assistance. All powder coat finishes applied over cleaned phosphatized surfaces. Carbon steel sub-panels are finished with a white polyester powder coating. Stainless Steel enclosures have a polished #4 finish.

OPTIONS - Schaefer's Electrical Enclosures, Inc. can modify standard enclosures or custom design enclosures according to your specifications. Holes, cutouts, sizes, materials, and many more options are available. Quotations upon request.

INDUSTRY STANDARDS

- UL 50 Listed
- CUL 50 Listed
- Type 4, 12, 13
- Stainless Enclosures - Type 4, 4X, 12, 13

For Optional Mounting Feet Order Part Number EH-40320 (Set of four)

Carbon Steel #	Catalog Number		Enclosure Size H x W x D (inches)	Shpg. Wt.	Sub Panel Part Number	Sub Panel Size H x W (inches)
	304 Stainless Steel #	316 Stainless Steel #				
ES-12126	ESSS-12126	ESSS6-12126	12 x 12 x 6	9	ES-P1212	10.2 x 10.2
ES-12246	ESSS-12246	ESSS6-12246	12 x 24 x 6	15	ES-P1224	10.2 x 22.2
ES-16126	ESSS-16126	ESSS6-16126	16x 12 x 6	29	ES-P1612	14.2 x 10.2
ES-16166	ESSS-16166	ESSS6-16166	16x 16 x 6	27	ES-P1616	14.2 x 14.2
ES-16206	ESSS-16206	ESSS6-16206	16 x 20 x 6	31	ES-P1620	14.2 x 18.2
ES-20126	ESSS-20126	ESSS6-20126	20 x 12 x 6	40	ES-P2012	18.2 x 10.2
ES-20166	ESSS-20166	ESSS6-20166	20 x 16 x 6	29	ES-P2016	18.2 x 14.2
ES-20206	ESSS-20206	ESSS6-20206	20 x 20 x 6	35	ES-P2020	18.2 x 18.2
ES-20246	ESSS-20246	ESSS6-20246	20 x 24 x 6	44	ES-P2024	18.2 x 22.2
ES-24126	ESSS-24126	ESSS6-24126	24 x 12 x 6	15	ES-P2412	22.2 x 10.2
ES-24166	ESSS-24166	ESSS6-24166	24 x 16 x 6	35	ES-P2416	22.2 x 14.2
ES-24206	ESSS-24206	ESSS6-24206	24 x 20 x 6	39	ES-P2420	22.2 x 18.2
ES-24246	ESSS-24246	ESSS6-24246	24 x 24 x 6	81	ES-P2424	22.2 x 22.2
ES-30166	ESSS-30166	ESSS6-30166	30 x 16 x 6	69	ES-P3016	28.2 x 14.2
ES-30206	ESSS-30206	ESSS6-30206	30 x 20 x 6	43	ES-P3020	28.2 x 18.2
ES-30246	ESSS-30246	ESSS6-30246	30 x 24 x 6	50	ES-P3024	28.2 x 22.2
ES-36246	ESSS-36246	ESSS6-36246	36 x 24 x 6	89	ES-P3624	34.2 x 22.2
ES-36306	ESSS-36306	ESSS6-36306	36 x 30 x 6	127	ES-P3630	34.2 x 28.2
ES-12248	ESSS-12248	ESSS6-12248	12 x 24 x 8	17	ES-P1224	10.2 x 22.2
ES-16128	ESSS-16128	ESSS6-16128	16 x 12 x 8	23	ES-P1612	14.2 x 10.2
ES-16168	ESSS-16168	ESSS6-16168	16x 16 x 8	27	ES-P1616	14.2 x 14.2
ES-16208	ESSS-16208	ESSS6-16208	16 x 20 x 8	33	ES-P1620	14.2 x 18.2
ES-20128	ESSS-20128	ESSS6-20128	20 x 12 x 8	42	ES-P2012	18.2 x 10.2
ES-20168	ESSS-20168	ESSS6-20168	20 x 16 x 8	33	ES-P2016	18.2 x 14.2
ES-20208	ESSS-20208	ESSS6-20208	20 x 20 x 8	38	ES-P2020	18.2 x 18.2
ES-20248	ESSS-20248	ESSS6-20248	20 x 24 x 8	49	ES-P2024	18.2 x 22.2
ES-24168	ESSS-24168	ESSS6-24168	24 x 16 x 8	39	ES-P2416	22.2 x 14.2
ES-24208	ESSS-24208	ESSS6-24208	24 x 20 x 8	44	ES-P2420	22.2 x 18.2
ES-24248	ESSS-24248	ESSS6-24248	24 x 24 x 8	52	ES-P2424	22.2 x 22.2
ES-24308	ESSS-24308	ESSS6-24308	24 x 30 x 8	55	ES-P2430	22.2 x 28.2
ES-30208	ESSS-30208	ESSS6-30208	30 x 20 x 8	48	ES-P3020	28.2 x 18.2
ES-30248	ESSS-30248	ESSS6-30248	30 x 24 x 8	55	ES-P3024	28.2 x 22.2
ES-30308	ESSS-30308	ESSS6-30308	30 x 30 x 8	94	ES-P3030	28.2 x 28.2
ES-30368	ESSS-30368	ESSS6-30368	30 x 36 x 8	79	ES-P3036	28.2 x 34.2
ES-36248	ESSS-36248	ESSS6-36248	36 x 24 x 8	98	ES-P3624	34.2 x 22.2
ES-36308	ESSS-36308	ESSS6-36308	36 x 30 x 8	138	ES-P3630	34.2 x 28.2
ES-36368	ESSS-36368	ESSS6-36368	36 x 36 x 8	125	ES-P3636	34.2 x 34.2
ES-42248	ESSS-42248	ESSS6-42248	42 x 24 x 8	104	ES-P4224	40.2 x 22.2

NOTE: Sub panels must be ordered separately. Reference page 123 for sub panel layout.

Elite Series Enclosures

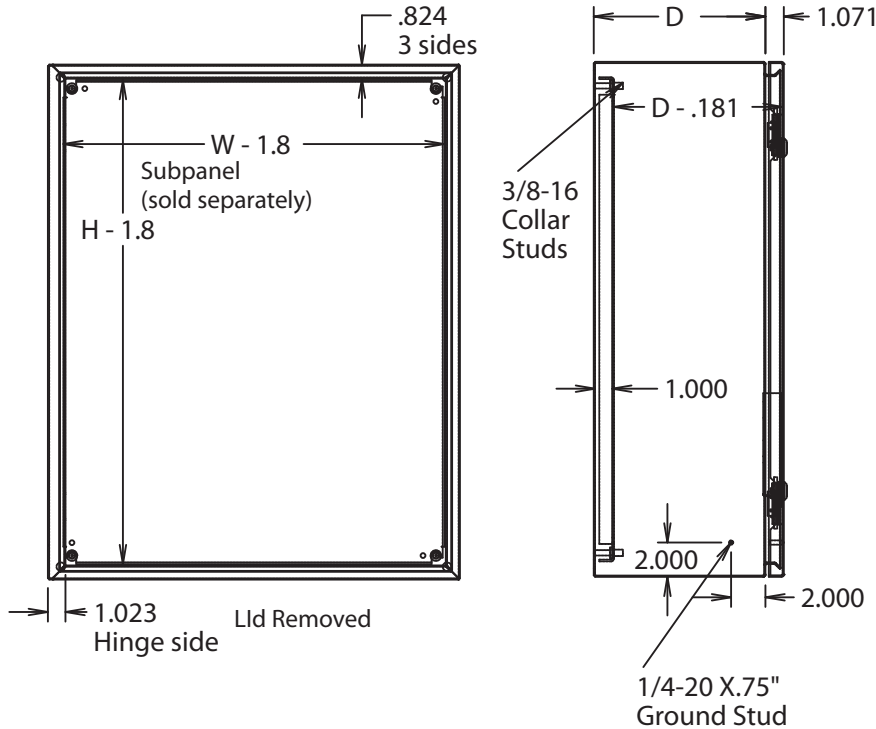
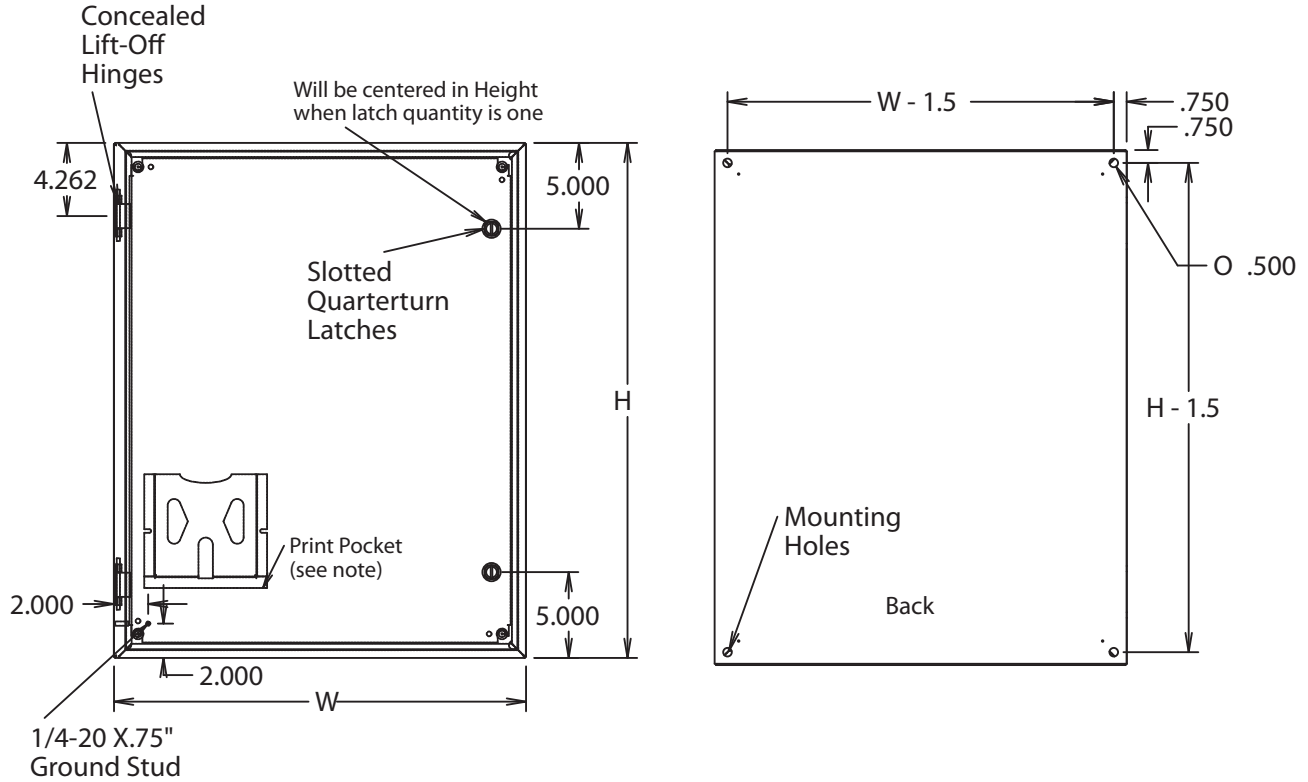
Type 4, 12 & 13 Single Door



Carbon Steel #	Catalog Number		Enclosure Size H x W x D (inches)	Shpg. Wt.	Sub Panel Part Number	Sub Panel Size H x W (inches)
	304 Stainless Steel #	316 Stainless Steel #				
ES-42308	ESSS-42308	ESSS6-42308	42 x 30 x 8	88	ES-P4230	40.2 x 28.2
ES-42368	ESSS-42368	ESSS6-42368	42 x 36 x 8	108	ES-P4236	40.2 x 34.2
ES-48248	ESSS-48248	ESSS6-48248	48 x 24 x 8	87	ES-P4824	46.2 x 22.2
ES-48308	ESSS-48308	ESSS6-48308	48 x 30 x 8	95	ES-P4830	46.2 x 28.2
ES-48368	ESSS-48368	ESSS6-48368	48 x 36 x 8	97	ES-P4836	46.2 x 34.2
ES-60368	ESSS-60368	ESSS6-60368	60 x 36 x 8	151	ES-P6036	58.2 x 34.2
ES-161210	ESSS-161210	ESSS6-161210	16 x 12 x 10	38	ES-P1612	14.2 x 10.2
ES-161610	ESSS-161610	ESSS6-161610	16 x 16 x 10	29	ES-P1616	14.2 x 14.2
ES-162010	ESSS-162010	ESSS6-162010	16 x 20 x 10	31	ES-P1620	14.2 x 18.2
ES-201610	ESSS-201610	ESSS6-201610	20 x 16 x 10	38	ES-P2016	18.2 x 14.2
ES-202010	ESSS-202010	ESSS6-202010	20 x 20 x 10	45	ES-P2020	18.2 x 18.2
ES-202410	ESSS-202410	ESSS6-202410	20 x 24 x 10	48	ES-P2024	18.2 x 22.2
ES-241210	ESSS-241210	ESSS6-241210	24 x 12 x 10	51	ES-P2412	22.2 x 10.2
ES-242010	ESSS-242010	ESSS6-242010	24 x 20 x 10	41	ES-P2420	22.2 x 18.2
ES-242410	ESSS-242410	ESSS6-242410	24 x 24 x 10	49	ES-P2424	22.2 x 22.2
ES-243010	ESSS-243010	ESSS6-243010	24 x 30 x 10	64	ES-P2430	22.2 x 28.2
ES-302010	ESSS-302010	ESSS6-302010	30 x 20 x 10	53	ES-P3020	28.2 x 18.2
ES-302410	ESSS-302410	ESSS6-302410	30 x 24 x 10	63	ES-P3024	28.2 x 22.2
ES-303010	ESSS-303010	ESSS6-303010	30 x 30 x 10	77	ES-P3030	28.2 x 28.2
ES-362410	ESSS-362410	ESSS6-362410	36 x 24 x 10	78	ES-P3624	34.2 x 22.2
ES-363010	ESSS-363010	ESSS6-363010	36 x 30 x 10	77	ES-P3630	34.2 x 28.2
ES-363610	ESSS-363610	ESSS6-363610	36 x 36 x 10	97	ES-P3636	34.2 x 34.2
ES-423010	ESSS-423010	ESSS6-423010	42 x 30 x 10	95	ES-P4230	40.2 x 28.2
ES-423610	ESSS-423610	ESSS6-423610	42 x 36 x 10	116	ES-P4236	40.2 x 34.2
ES-482410	ESSS-482410	ESSS6-482410	48 x 24 x 10	94	ES-P4824	46.2 x 22.2
ES-483010	ESSS-483010	ESSS6-483010	48 x 30 x 10	102	ES-P4830	46.2 x 28.2
ES-483610	ESSS-483610	ESSS6-483610	48 x 36 x 10	130	ES-P4836	46.2 x 34.2
ES-603610	ESSS-603610	ESSS6-603610	60 x 36 x 10	161	ES-P6036	58.2 x 34.2
ES-201612	ESSS-201612	ESSS6-201612	20 x 16 x 12	40	ES-P2016	18.2 x 14.2
ES-202012	ESSS-202012	ESSS6-202012	20 x 20 x 12	46	ES-P2020	18.2 x 18.2
ES-242012	ESSS-242012	ESSS6-242012	24 x 20 x 12	51	ES-P2420	22.2 x 18.2
ES-242412	ESSS-242412	ESSS6-242412	24 x 24 x 12	63	ES-P2424	22.2 x 22.2
ES-302412	ESSS-302412	ESSS6-302412	30 x 24 x 12	69	ES-P3024	28.2 x 22.2
ES-303012	ESSS-303012	ESSS6-303012	30 x 30 x 12	83	ES-P3030	28.2 x 28.2
ES-362412	ESSS-362412	ESSS6-362412	36 x 24 x 12	84	ES-P3624	34.2 x 22.2
ES-363012	ESSS-363012	ESSS6-363012	36 x 30 x 12	95	ES-P3630	34.2 x 28.2
ES-363612	ESSS-363612	ESSS6-363612	36 x 36 x 12	108	ES-P3636	34.2 x 34.2
ES-423012	ESSS-423012	ESSS6-423012	42 x 30 x 12	102	ES-P4230	40.2 x 28.2
ES-423612	ESSS-423612	ESSS6-423612	42 x 36 x 12	124	ES-P4236	40.2 x 34.2
ES-482412	ESSS-482412	ESSS6-482412	48 x 24 x 12	101	ES-P4824	46.2 x 22.2
ES-483612	ESSS-483612	ESSS6-483612	48 x 36 x 12	138	ES-P4836	46.2 x 34.2
ES-603612	ESSS-603612	ESSS6-603612	60 x 36 x 12	171	ES-P6036	58.2 x 34.2
ES-242016	ESSS-242016	ESSS6-242016	24 x 20 x 6	57	ES-P2420	22.2 x 18.2
ES-242416	ESSS-242416	ESSS6-242416	24 x 24 x 16	65	ES-P2424	22.2 x 22.2
ES-302416	ESSS-302416	ESSS6-302416	30 x 24 x 16	79	ES-P3024	28.2 x 22.2
ES-363016	ESSS-363016	ESSS6-363016	36 x 30 x 16	101	ES-P3630	34.2 x 28.2
ES-423616	ESSS-423616	ESSS6-423616	42 x 36 x 16	135	ES-P4236	40.2 x 34.2
ES-483616	ESSS-483616	ESSS6-483616	48 x 36 x 16	151	ES-P4836	46.2 x 34.2
ES-603616	ESSS-603616	ESSS6-603616	60 x 36 x 16	176	ES-P6036	58.2 x 34.2
ES-242420	ESSS-242420	ESSS6-242420	24 x 24 x 20	75	ES-P2424	22.2 x 22.2
ES-302420	ESSS-302420	ESSS6-302420	30 x 24 x 20	90	ES-P3024	28.2 x 22.2
ES-363020	ESSS-363020	ESSS6-363020	36 x 30 x 20	102	ES-P3630	34.2 x 28.2
ES-483620	ESSS-483620	ESSS6-483620	48 x 36 x 20	176	ES-P4836	46.2 x 34.2
ES-603620	ESSS-603620	ESSS6-603620	60 x 36 x 20	194	ES-P6036	58.2 x 34.2
ES-302424	ESSS-302424	ESSS6-302424	30 x 24 x 24	96	ES-P3024	28.2 x 22.2

NOTE: Sub panels must be ordered separately. Reference page 123 for sub panel layout.

ES • ESSS • ESSS6

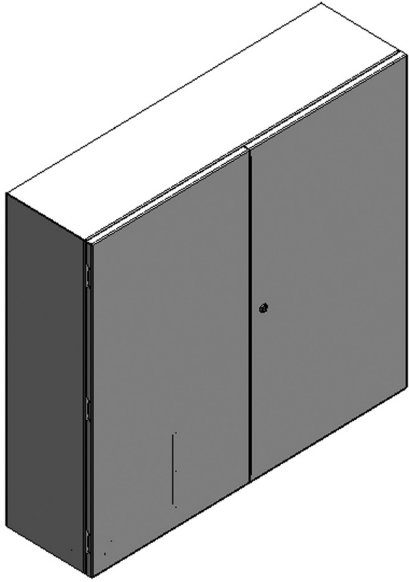


NOTES:

1. Print pocket = 6" x 6" when H and W are 24" or less.
Print pocket = 9" x 9" when H and W are greater than 24".
2. Panel have formed flanges on all four sides when either Height or Width is equal to or greater than 22.2".
3. When Height and Width are less than 23" enclosure will have one slotted quarterturn latch.
4. When Height and Width are greater than 23" enclosure will have two slotted quarterturn latches.
5. When Height is equal to or greater than 42" enclosure will have one 3 point slotted quarterturn latch.

Elite Series Enclosures

Type 12 & 13 Double Door



APPLICATION - Designed to house electrical controls, instruments, and terminals in a variety of environments, including wet environments.

CONSTRUCTION - Fabricated from 14 gauge carbon steel, type 304 or type 316 stainless steel with continuously welded seams. Enclosure features:

- Minimum width trough shaped body flange and hidden hinge design providing full 180 degree door opening while excluding liquids and contaminants
- Door is secured with concealed lift-off hinges and 3 point slotted quarter turn latch.
- Adhesive backed, oil resistant gasket applied to the doors
- Print pocket
- Holes are provided for optional wall or machinery mounting
- Ground studs installed inside cabinet and door
- Collar studs provided for mounting optional sub panels

FINISH - Standard RAL 7035 texture polyester powder coat finish on interior and exterior of enclosures. Recoatable, smooth, white or ANSI-61 gray available at no charge. Standard RAL and custom match finishes available for an additional charge, please contact Schaefer's Electrical Enclosures, Inc. for further assistance. All powder coat finishes applied over cleaned phosphatized surfaces. Carbon steel sub panels have a white polyester powder coat finish. Stainless Steel enclosures have a polished #4 finish.

OPTIONS - Schaefer's Electrical Enclosures, Inc. can modify standard enclosures or custom design enclosures according to your specifications. Holes, cutouts, sizes, materials, and many more options are available. Quotations upon request.

INDUSTRY STANDARDS

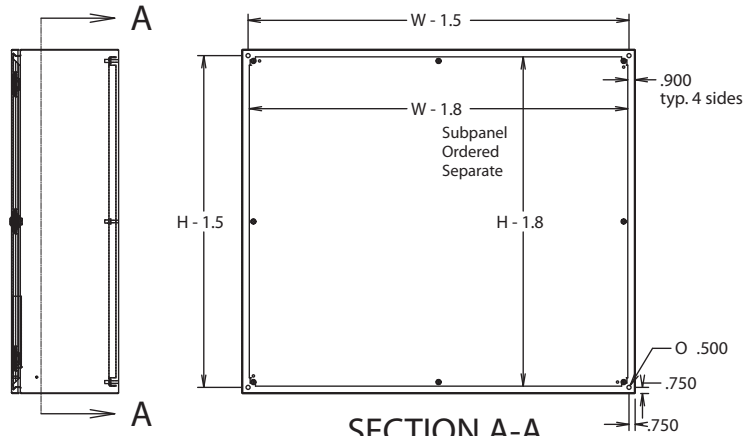
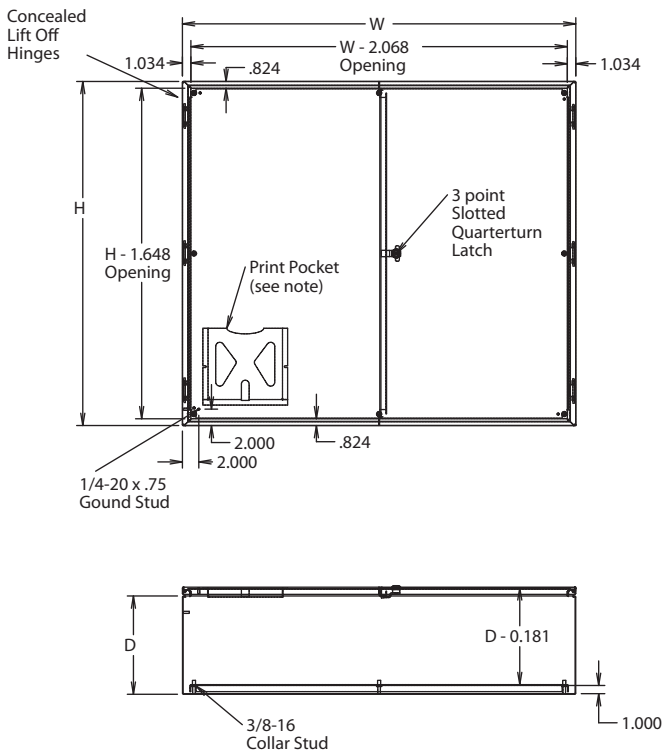
- UL 50 Listed
- CUL 50 Listed

For Optional Mounting Feet Order Part Number EH-40320 (Set of four)

Carbon Steel #	Catalog Number		Enclosure Size H x W x D (inches)	Shpg. Wt.	Sub Panel Part Number	Sub Panel Size
	304 Stainless Steel #	316 Stainless Steel #				
ESDD-24428	ESDDSS-24428	ESDDSS6-24428	24 x 42 x 8	80	ES-P2442	22.2 x 40.2
ESDD-30488	ESDDSS-30488	ESDDSS6-30488	30 x 48 x 8	96	ES-P3048	28.2 x 46.2
ESDD-306012	ESDDSS-306012	ESDDSS6-306012	30 x 60 x 12	133	ES-P3060	28.2 x 58.2
ESDD-364812	ESDDSS-364812	ESDDSS6-364812	36 x 48 x 12	126	ES-P3648	34.2 x 46.2
ESDD-366012	ESDDSS-366012	ESDDSS6-366012	36 x 60 x 12	153	ES-P3660	34.2 x 58.2

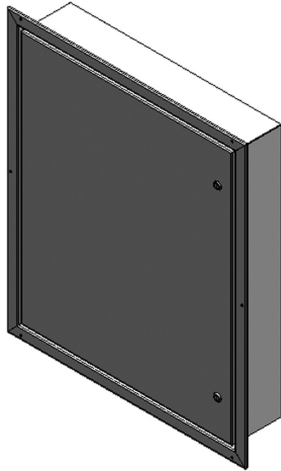
NOTE: Sub panels must be ordered separately. Reference page 123 for sub panel layout.

ESDD



NOTES:

1. Print pocket = 6" x 6" when H and W are 24" or less.
Print pocket = 9" x 9" when H and W are greater than 24".



APPLICATIONS - Designed to house electrical controls, terminals and instruments; providing protection from dust, dirt, oil and water.

CONSTRUCTION - Fabricated from 14 gauge carbon steel, type 304 or type 316 stainless steel. Enclosure features:

- Strong and rigid construction.
- All seams are continuously welded.
- No holes or knockouts provided.
- Rolled lip around all sides of enclosure opening to increase strength and help keep dirt and liquids out when the door is open.
- A 14 gauge carbon steel, 14 gauge type 304 stainless steel, or 12 gauge type 316 stainless steel frame with mounting holes extends completely around enclosure.
- Collar studs provided for mounting optional sub panels.
- Door is secured with concealed lift-off hinges and slotted quarter turn latch(es)

FINISH - Standard RAL 7035 texture polyester powder coat finish on interior

and exterior of enclosures. Recoatable, smooth, white or ANSI-61 gray available at no charge. Standard RAL and custom match finishes available for an additional charge, please contact Schaefer's Electrical Enclosures for further assistance. All powder coat finishes applied over cleaned phosphatized surfaces. Carbon steel sub panels have a white polyester powder coat finish. Stainless Steel enclosures have a polished #4 finish.

OPTIONS - Schaefer's Electrical Enclosures can modify standard enclosures or custom design enclosures according to your specifications. Holes, cutouts, sizes, materials, and many more options are available. Quotations upon request.

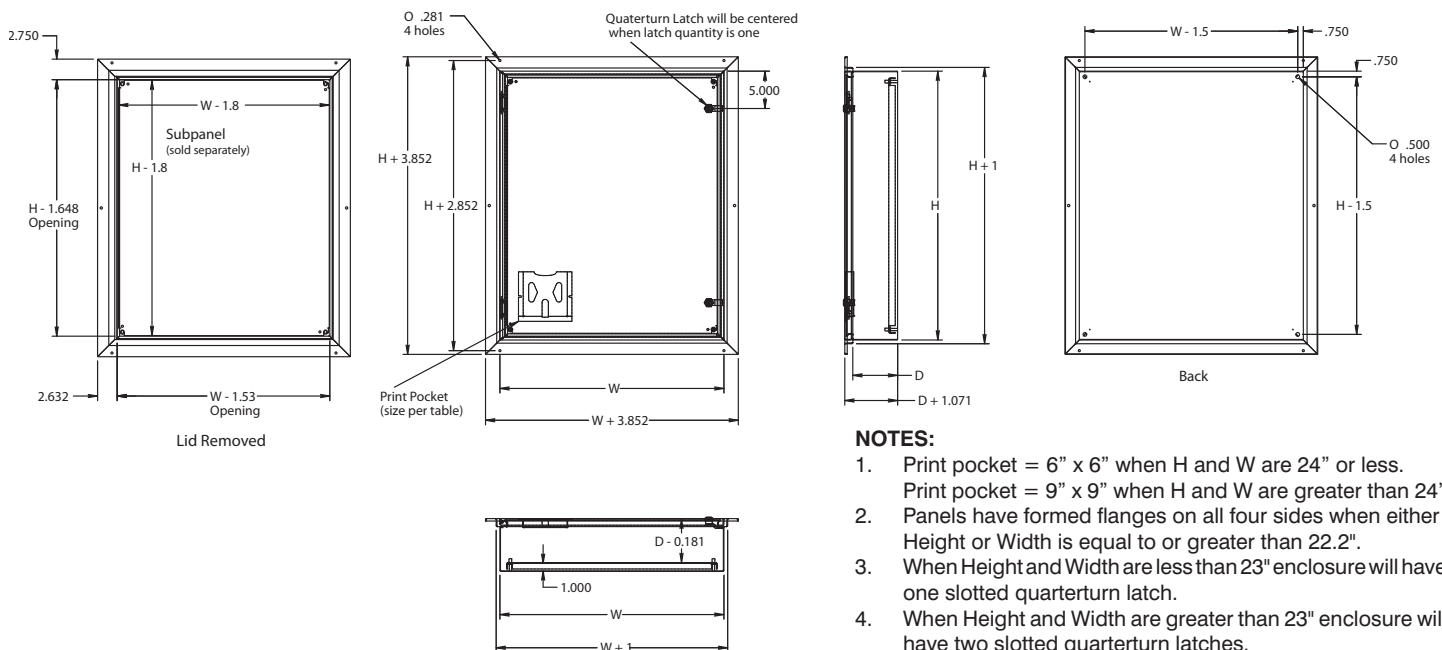
INDUSTRY STANDARDS

- UL 50 Listed
- CUL 50 Listed
- Type 12

Carbon Steel #	Catalog Number 306 Stainless Steel #	316 Stainless Steel #	Enclosure Size H x W x D (inches)	Shpg. Wt.	Sub Panel Part Number	Sub Panel Size H x W (inches)
ESFM-16126	ESFMSS-16126	ESFMSS6-16126	16.00 x 12.00 x 6.00	27	ES-P1612	14.2 x 10.2
ESFM-20166	ESFMSS-20166	ESFMSS6-20166	20.00 x 16.00 x 6.00	38	ES-P2016	18.2 x 14.2
ESFM-20206	ESFMSS-20206	ESFMSS6-20206	20.00 x 20.00 x 6.00	44	ES-P2020	18.2 x 18.2
ESFM-24206	ESFMSS-24206	ESFMSS6-24206	24.00 x 20.00 x 6.00	50	ES-P2420	22.2 x 18.2
ESFM-24248	ESFMSS-24248	ESFMSS6-24248	24.00 x 24.00 x 8.00	61	ES-P2424	22.2 x 22.2
ESFM-30248	ESFMSS-30248	ESFMSS6-30248	30.00 x 24.00 x 8.00	73	ES-P3024	28.2 x 22.2

NOTE: Sub panels must be ordered separately. Reference page 123 for sub panel layout

ESFM

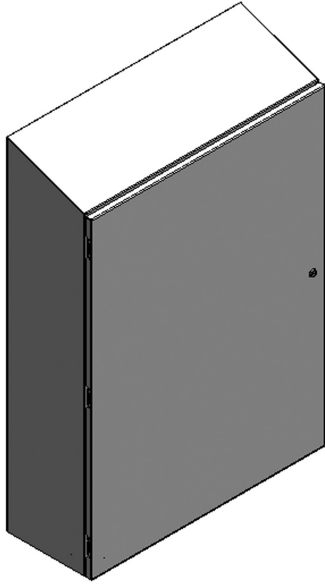


NOTES:

1. Print pocket = 6" x 6" when H and W are 24" or less.
Print pocket = 9" x 9" when H and W are greater than 24"
2. Panels have formed flanges on all four sides when either Height or Width is equal to or greater than 22.2".
3. When Height and Width are less than 23" enclosure will have one slotted quarterturn latch.
4. When Height and Width are greater than 23" enclosure will have two slotted quarterturn latches.
5. When Height is equal to or greater than 42" enclosure will have one 3 point slotted quarterturn latch.

Elite Series Enclosures

Type 4, 12 & 13 Slope Top • Stainless Steel



APPLICATION - Designed to house electrical controls, instruments, and terminals in a variety of environments, including wet environments.

CONSTRUCTION - Fabricated from 14 gauge type 304 or type 316 stainless steel. Enclosure features:

- Minimum width trough shaped body flange and hidden hinge design providing full 180 degree door opening while excluding liquids and contaminants
- Door is secured with concealed lift-off hinges and slotted quarter-turn latches - *Standard quarter turn latches can be replaced with a variety of optional latches*
- Adhesive backed, oil resistant gasket applied to the doors
- Print pocket
- Holes are provided for optional wall or machinery mounting

- Ground studs installed inside cabinet and door
- Collar studs provided for mounting optional sub panels.

FINISH - Stainless Steel Enclosures have a polished #4 finish. Carbon steel sub panels have white polyester powder coat finish.

OPTIONS - Schaefer's Electrical Enclosures, Inc. can modify standard enclosures or custom design enclosures according to your specifications. Holes, cutouts, sizes, materials, and many more options are available. Quotations upon request.

INDUSTRY STANDARDS

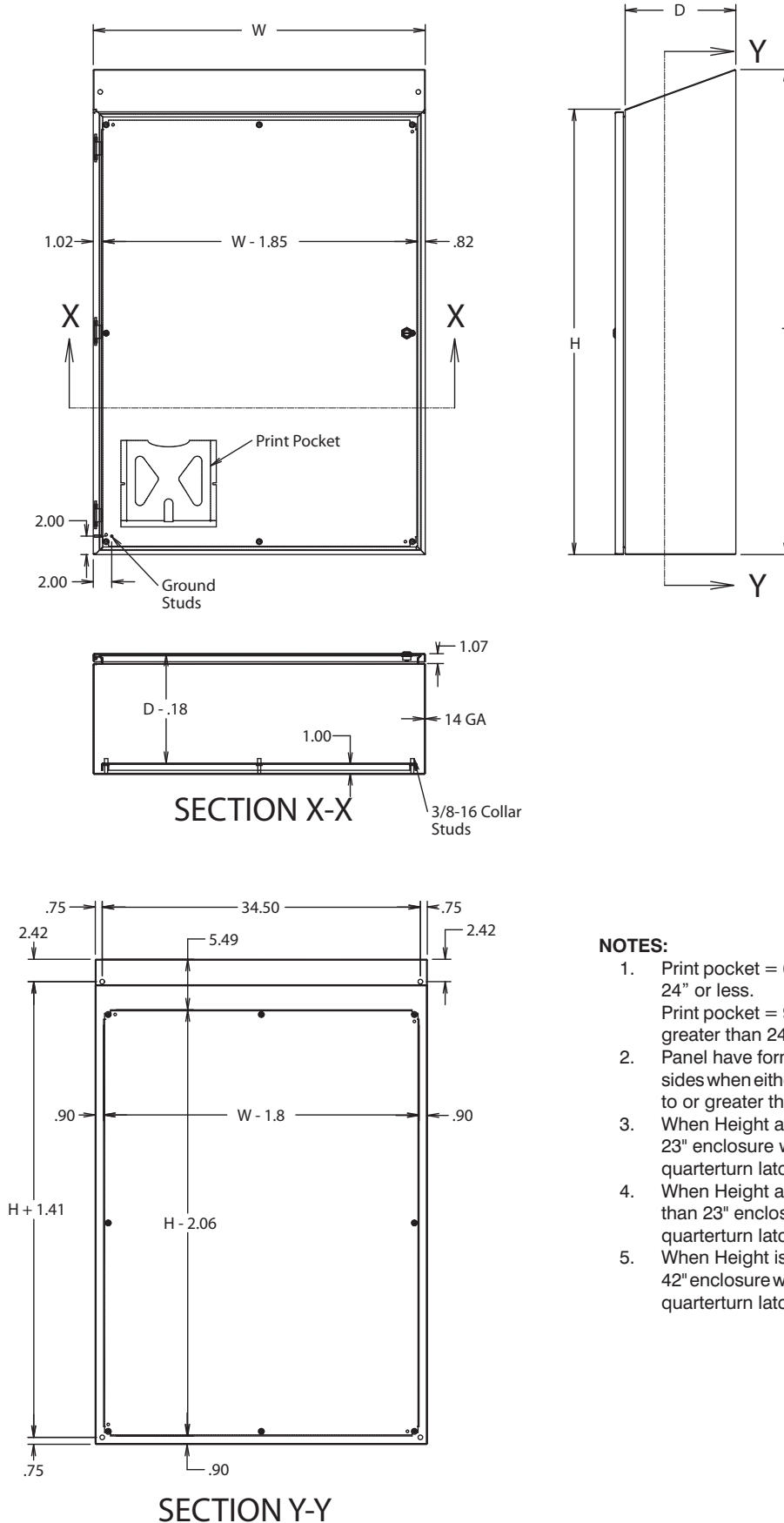
- UL 50 Listed
- CUL 50 Listed
- Type 4, 4X, 12, 13

For Optional Mounting Feet Order Part Number EH-40320 (Set of four)

Catalog Number		Enclosure Size	Shpg. Wt.	J
304 Stainless Steel #	316 Stainless Steel #	H x W x D (inches)		
ESSTSS-14126	ESSTSS6-14126	14.26 x 12 x 6	18	16.45
ESSTSS-16146	ESSTSS6-16146	16.26 x 14 x 6	23	18.45
ESSTSS-16128	ESSTSS6-16128	16.26 x 12 x 8	23	19.18
ESSTSS-16168	ESSTSS6-16168	16.26 x 16 x 8	28	19.18
ESSTSS-20168	ESSTSS6-20168	20.26 x 16 x 8	33	23.18
ESSTSS-20208	ESSTSS6-20208	20.26 x 20 x 8	39	23.18
ESSTSS-24208	ESSTSS6-24208	24.26 x 20 x 8	45	27.18
ESSTSS-24248	ESSTSS6-24248	24.26 x 24 x 8	52	27.18
ESSTSS-30248	ESSTSS6-30248	30.26 x 24 x 8	62	33.18
ESSTSS-36308	ESSTSS6-36308	36.26 x 30 x 8	83	39.18
ESSTSS-30308	ESSTSS6-30308	30.26 x 30 x 8	74	33.18
ESSTSS-201612	ESSTSS6-201612	20.26 x 16 x 12	39	24.65
ESSTSS-202012	ESSTSS6-202012	20.26 x 20 x 12	46	24.65
ESSTSS-242412	ESSTSS6-242412	24.26 x 24 x 12	60	28.65
ESSTSS-302412	ESSTSS6-302412	30.26 x 24 x 12	71	34.65
ESSTSS-363012	ESSTSS6-363012	36.26 x 30 x 12	97	40.65
ESSTSS-363612	ESSTSS6-363612	36.26 x 36 x 12	112	40.65
ESSTSS-423612	ESSTSS6-423612	42.26 x 36 x 12	127	36.65
ESSTSS-483612	ESSTSS6-483612	48.26 x 36 x 12	142	52.65
ESSTSS-363016	ESSTSS6-363016	36.26 x 30 x 16	111	42.11
ESSTSS-483616	ESSTSS6-483616	48.26 x 36 x 16	143	54.11
ESSTSS-603616	ESSTSS6-603616	60.26 x 36 x 16	172	66.11

NOTE: Sub panels must be ordered separately. Reference page 123 for sub panel layout.

ESSTSS • ESSTSS6

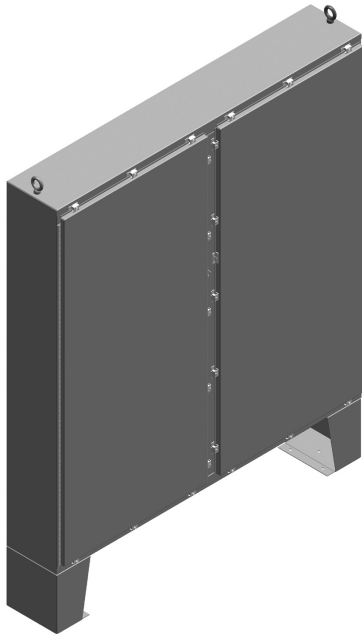


NOTES:

1. Print pocket = 6" x 6" when H and W are 24" or less.
Print pocket = 9" x 9" when H and W are greater than 24".
2. Panel have formed flanges on all four sides when either Height or Width is equal to or greater than 22.2".
3. When Height and Width are less than 23" enclosure will have one slotted quarterturn latch.
4. When Height and Width are greater than 23" enclosure will have two slotted quarterturn latches.
5. When Height is equal to or greater than 42" enclosure will have one 3 point slotted quarterturn latch.

Floor Mount Enclosures

Type 4 Double Door



APPLICATION - Designed to house electrical controls, and instruments in a variety of environments, including wet environments.

CONSTRUCTION - Fabricated from 10 and 12 gauge carbon steel, type 304 or 12 gauge type 316 stainless steel with continuously welded seams. Enclosure features:

- Doors are secured with continuous hinges with removable hinge pins, and clamps and screws
- Padlocking hasp and staple
- Adhesive backed, oil resistant gasket applied to the doors
- 12-inch floor stands
- Print pocket
- Heavy-duty eyes
- Ground studs inside cabinet and door
- Collar studs provided for mounting optional sub panels.
- Removable center post for easy installation of the sub-panel
- Body stiffeners for extra rigidity

FINISH - Standard RAL 7035 texture polyester powder coat finish on interior and exterior of enclosures. Recoatable, smooth, white or ANSI-61 gray available at no charge. Standard RAL and custom match finishes available for an additional charge, please contact Schaefer's Electrical Enclosures, Inc. for further assistance. All powder coat finishes applied over cleaned phosphatized surfaces. Carbon steel sub panels have a white polyester powder coat finish. Stainless Steel enclosures have a polished #4 finish.

OPTIONS - Schaefer's Electrical Enclosures, Inc. can modify standard enclosures or custom design enclosures according to your specifications. Holes, cutouts, sizes, materials, and many more options are available. Quotations upon request.

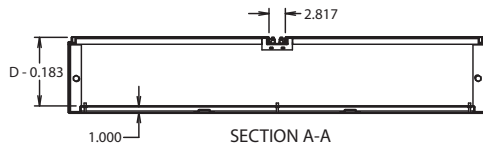
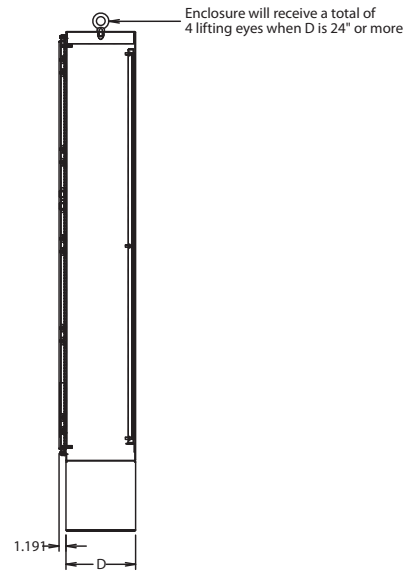
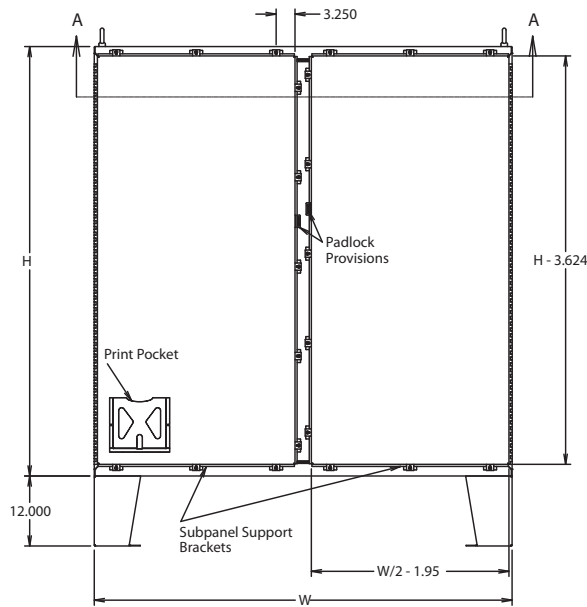
INDUSTRY STANDARDS

- UL 50 Listed
- CUL 50 Listed
- Type 4 & 4X

Carbon Steel #	Catalog Number		Enclosure Size H x W x D (inches)	Shpg. Wt.	Sub Panel Part Number	Sub Panel Size (H x L)
	304 Stainless Steel #	316 Stainless Steel #				
SPN4D-62488	SPN4DSS-62488	SPN4DSS6-62488	62 x 48 x 8	340	SPDD-6048	56 x 44
SPN4D-624810	SPN4DSS-624810	SPN4DSS6-624810	62 x 48 x 10	357	SPDD-6048	56 x 44
SPN4D-626010	SPN4DSS-626010	SPN4DSS6-626010	62 x 60 x 10	433	SPDD-6060	56 x 56
SPN4D-746010	SPN4DSS-746010	SPN4DSS6-746010	74 x 60 x 10	518	SPDD-7260	68 x 56
SPN4D-747210	SPN4DSS-747210	SPN4DSS6-747210	74 x 72 x 10	626	SPDD-7272	68 x 68
SPN4D-624812	SPN4DSS-624812	SPN4DSS6-624812	62 x 48 x 12	385	SPDD-6048	56 x 44
SPN4D-626012	SPN4DSS-626012	SPN4DSS6-626012	62 x 60 x 12	507	SPDD-6060	56 x 56
SPN4D-746012	SPN4DSS-746012	SPN4DSS6-746012	74 x 60 x 12	542	SPDD-7260	68 x 56
SPN4D-747212	SPN4DSS-747212	SPN4DSS6-747212	74 x 72 x 12	626	SPDD-7272	68 x 68
SPN4D-624816	SPN4DSS-624816	SPN4DSS6-624816	62 x 48 x 16	424	SPDD-6048	56 x 44
SPN4D-626016	SPN4DSS-626016	SPN4DSS6-626016	62 x 60 x 16	508	SPDD-6060	56 x 56
SPN4D-746016	SPN4DSS-746016	SPN4DSS6-746016	74 x 60 x 16	560	SPDD-7260	68 x 56
SPN4D-747216	SPN4DSS-747216	SPN4DSS6-747216	74 x 72 x 16	687	SPDD-7272	68 x 68
SPN4D-624820	SPN4DSS-624820	SPN4DSS6-624820	62 x 48 x 20	464	SPDD-6048	56 x 44
SPN4D-626020	SPN4DSS-626020	SPN4DSS6-626020	62 x 60 x 20	552	SPDD-6060	56 x 56
SPN4D-746020	SPN4DSS-746020	SPN4DSS6-746020	74 x 60 x 20	638	SPDD-7260	68 x 56
SPN4D-747220	SPN4DSS-747220	SPN4DSS6-747220	74 x 72 x 20	739	SPDD-7272	68 x 68
SPN4D-624824	SPN4DSS-624824	SPN4DSS6-624824	62 x 48 x 24	503	SPDD-6048	56 x 44
SPN4D-626024	SPN4DSS-626024	SPN4DSS6-626024	62 x 60 x 24	596	SPDD-6060	56 x 56
SPN4D-746024	SPN4DSS-746024	SPN4DSS6-746024	74 x 60 x 24	686	SPDD-7260	68 x 56
SPN4D-747224	SPN4DSS-747224	SPN4DSS6-747224	74 x 72 x 24	805	SPDD-7272	68 x 68

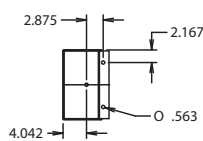
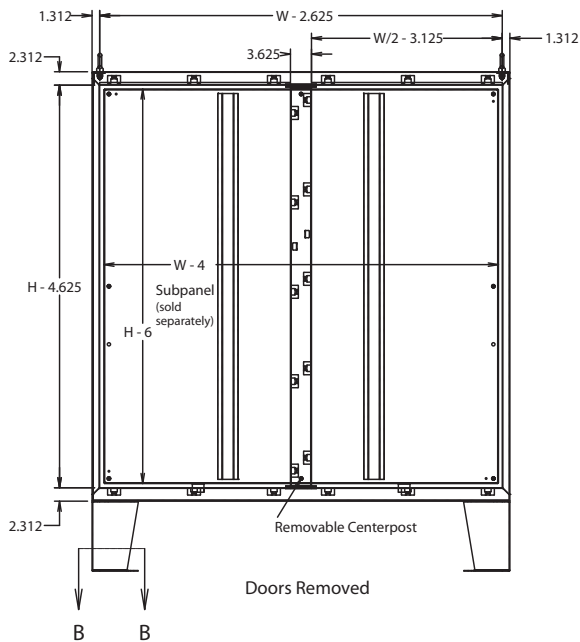
NOTE: Sub panels must be ordered separately. Reference page 124 for sub panel layout

SPN4D • SPN4DSS • SPN4DSS6



NOTES:

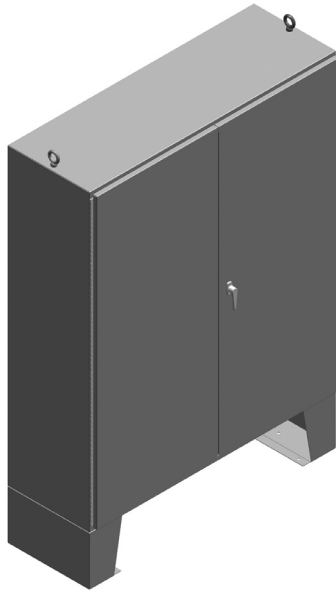
1. Maximum between door clamps is 16.84" (center to center).



SECTION B-B

Floor Mount Enclosures

Type 12 Two Door



APPLICATIONS - Designed to provide protection for electrical controls, instruments, and terminals from dust, dripping liquids, dirt, and oil.

CONSTRUCTION - Fabricated from 10 and 12 gauge carbon steel, type 304 or 12 gauge type 316 stainless steel with continuous welded seams. Enclosure features:

- Overlapping doors are secured with continuous hinges with removable hinge pins and key locking handle with three point latching system
- Adhesive backed, oil resistant gasket applied to the doors
- 12-inch floor stands
- Print pocket
- Heavy-duty lifting eyes
- Ground studs installed inside cabinet and door
- Collar studs provided for mounting optional sub panels
- Body stiffeners for extra rigidity

FINISH - Standard RAL 7035 texture polyester powder coat finish on interior and exterior of enclosures. Recoatable, smooth, white or ANSI-61 gray available at no charge. Standard RAL and custom match finishes available for an additional charge, please contact Schaefer's Electrical Enclosures, Inc. for further assistance. All powder coat finishes applied over cleaned phosphatized surfaces. Carbon steel sub panels have a white polyester powder coat finish. Stainless Steel enclosures have a polished #4 finish.

OPTIONS - Schaefer's Electrical Enclosures, Inc. can modify standard enclosures or custom design enclosures according to your specifications. Holes, cutouts, louvers, sizes, materials, and many more options are available. Quotations upon request.

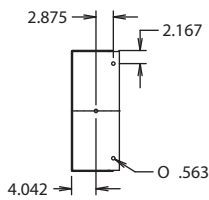
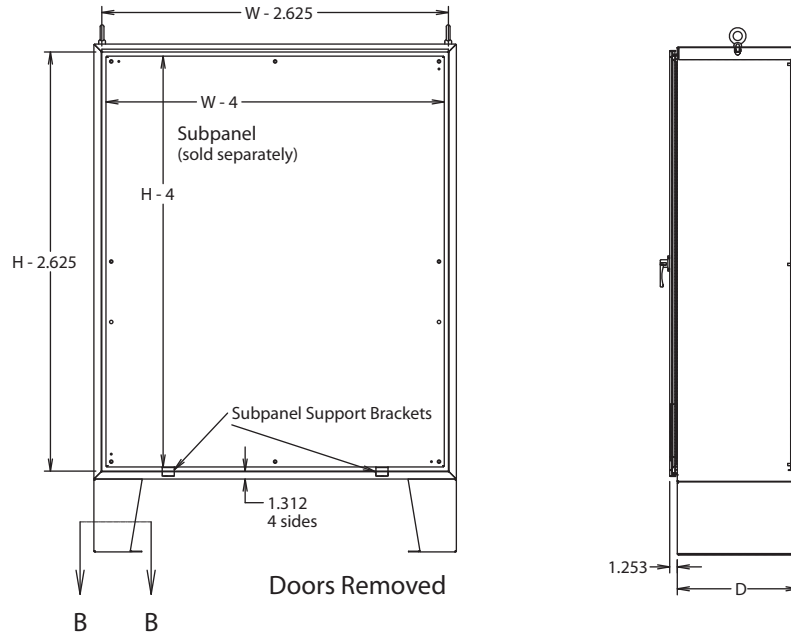
INDUSTRY STANDARDS

- UL 50 Listed
- CUL 50 Listed
- Type 12

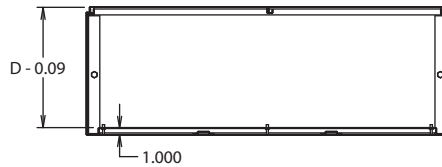
Carbon Steel #	Catalog Number		Enclosure Size H x W x D (inches)	Shpg. Wt.	Sub Panel Part Number	Sub Panel Size H x W (inches)
	304 Stainless Steel #	316 Stainless Steel #				
SPN12D-54428	SPN12DSS-54428	SPN12DSS6-54428	54 x 42 x 8	285	SPDD-5442	50 x 38
SPN12D-60488	SPN12DSS-60488	SPN12DSS6-60488	60 x 48 x 8	342	SPDD-6048	56 x 44
SPN12D-604810	SPN12DSS-604810	SPN12DSS6-604810	60 x 48 x 10	357	SPDD-6048	56 x 44
SPN12D-606010	SPN12DSS-606010	SPN12DSS6-606010	60 x 60 x 10	415	SPDD-6060	56 x 56
SPN12D-726010	SPN12DSS-726010	SPN12DSS6-726010	72 x 60 x 10	525	SPDD-7260	68 x 56
SPN12D-727210	SPN12DSS-727210	SPN12DSS6-727210	72 x 72 x 10	590	SPDD-7272	68 x 68
SPN12D-604812	SPN12DSS-604812	SPN12DSS6-604812	60 x 48 x 12	375	SPDD-6048	56 x 44
SPN12D-606012	SPN12DSS-606012	SPN12DSS6-606012	60 x 60 x 12	430	SPDD-6060	56 x 56
SPN12D-726012	SPN12DSS-726012	SPN12DSS6-726012	72 x 60 x 12	550	SPDD-7260	68 x 56
SPN12D-727212	SPN12DSS-727212	SPN12DSS6-727212	72 x 72 x 12	626	SPDD-7272	68 x 68
SPN12D-604816	SPN12DSS-604816	SPN12DSS6-604816	60 x 48 x 16	405	SPDD-6048	56 x 44
SPN12D-604820	SPN12DSS-604820	SPN12DSS6-604820	60 x 48 x 20	435	SPDD-6048	56 x 44
SPN12D-604824	SPN12DSS-604824	SPN12DSS6-604824	60 x 48 x 24	465	SPDD-6048	56 x 44
SPN12D-606024	SPN12DSS-606024	SPN12DSS6-606024	60 x 60 x 24	520	SPDD-6060	56 x 56
SPN12D-726024	SPN12DSS-726024	SPN12DSS6-726024	72 x 60 x 24	700	SPDD-7260	68 x 56
SPN12D-727224	SPN12DSS-727224	SPN12DSS6-727224	72 x 72 x 24	805	SPDD-7272	68 x 68

NOTE: Sub panels must be ordered separately. Reference page 124 for sub panel layout.

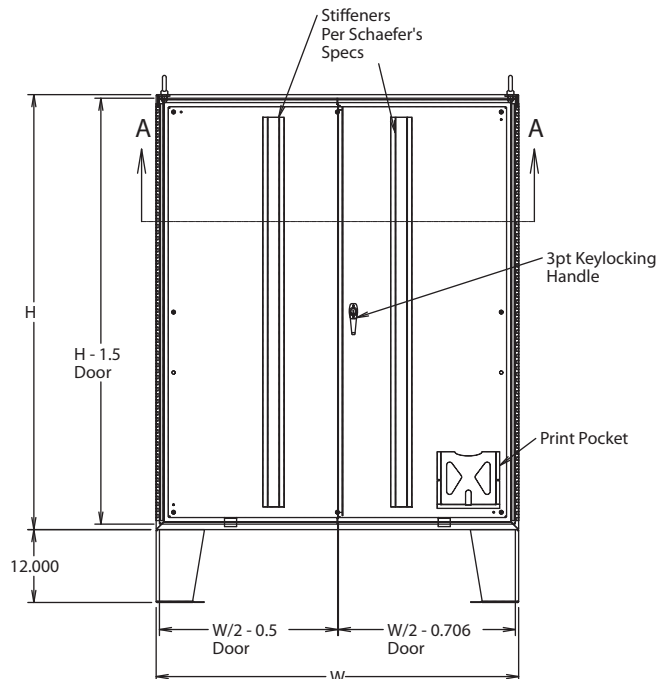
SPN12D • SPN12DSS • SPN12DSS6



SECTION B-B



SECTION A-A

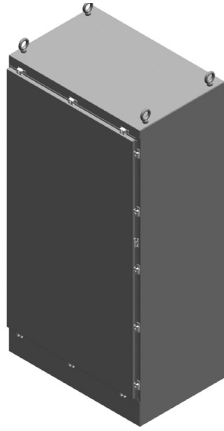


NOTES:

1. 9" x 9" Print pocket shipped inside enclosure.
2. 24" deep enclosures will receive 4 lifting eyebolts.

Freestanding Enclosures

Type 4 Single Door Freestanding Enclosure



CONSTRUCTION - Fabricated from 12 gauge carbon steel, type 304 or type 316 stainless steel with continuously welded seams. Enclosure features:

- Doors are secured with heavy-duty continuous hinges with removable hinge pins and clamps and screws on three sides.
- Adhesive backed, oil resistant gasket applied to doors.
- Unistrut channel.
- Print pocket.
- Heavy-duty lifting eyes.
- Ground studs inside enclosure and door.
- Collar studs provided for mounting optional sub pane in back.

ACCESSORIES (Ordered Separately)

- Sub panels include full size, half size, side mount and swing out panels can be mounted and adjusted for depth on the horizontal unistrut channel.
- Clamping nuts for installing other equipment.

FINISH - Standard RAL 7035 texture polyester powder coat finish on interior and exterior of enclosures. Recoatable, smooth, white or ANSI-61 gray available at no charge. Standard RAL and custom match finishes available for an additional charge, please contact Schaefer's Electrical Enclosures, Inc. for further assistance. All powder coat finishes applied over cleaned phosphatized surfaces. Carbon steel sub panels have a white polyester powder coat finish. Stainless Steel enclosures have a polished #4 finish.

OPTIONS - Schaefer's Electrical Enclosures, Inc. can modify standard enclosures or custom design enclosures according to your specifications. Holes, cutouts, sizes, materials, and many more options are available. Quotations upon request.

INDUSTRY STANDARDS

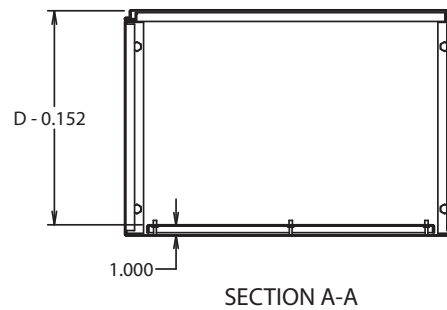
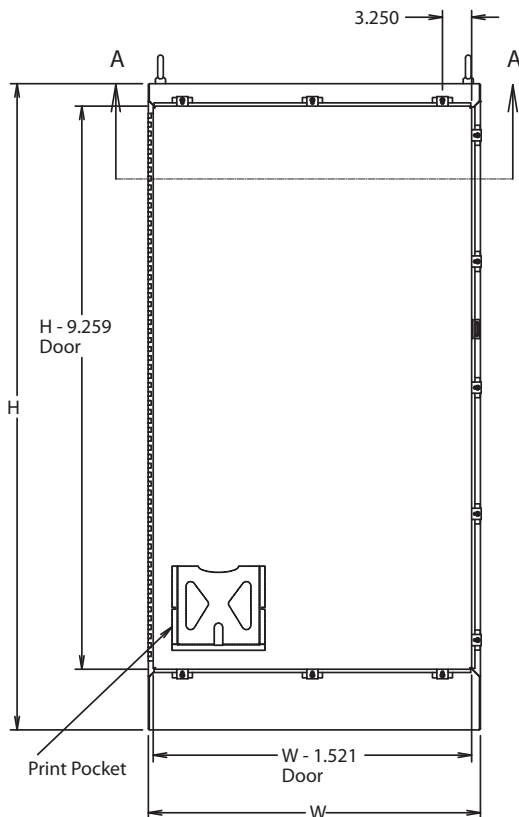
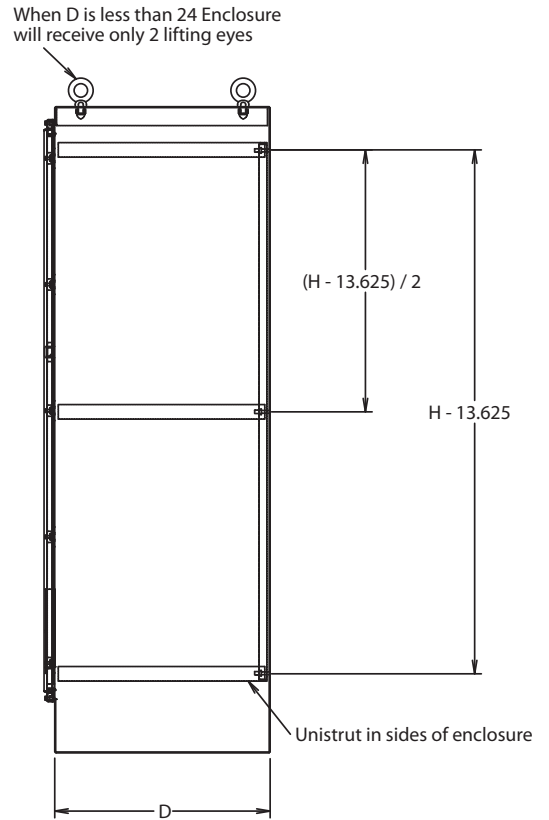
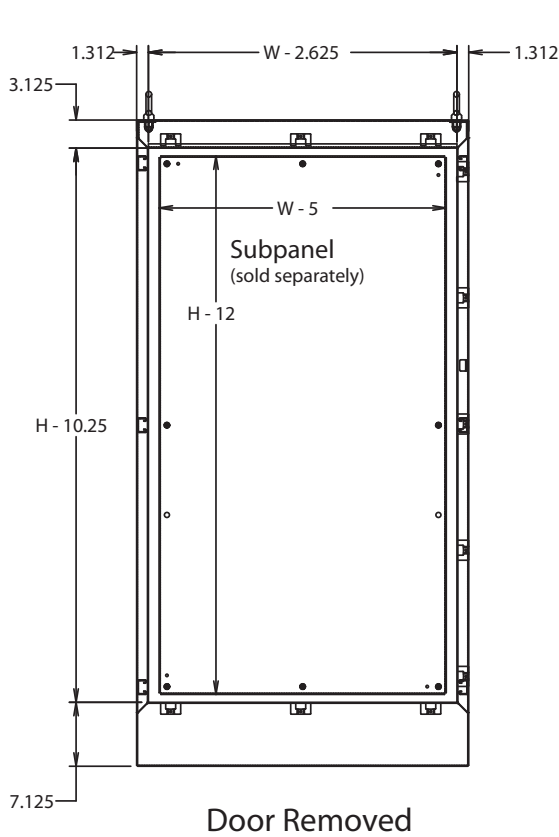
- UL 50 Listed
- CUL 50 Listed
- Type 4 & 4X

APPLICATIONS - Designed to house electrical and electronic controls, instruments and components in areas which may be hosed down. Hold-down clamps on top, bottom and open side of door for maximum dust and moisture-proof protection.

Carbon Steel #	Catalog Number		Enclosure Size		Shpg. Wt.	Sub Panel Part #	Sub Panel Size (H x L)	Half Panel Part #	Half Panel Size (H x L)	Side Mounted Panel	Side Panel Size (H x L)
	304 Stainless Steel #	316 Stainless Steel #	H x W x D (inches)								
SPN4FS-602518	SPN4FSSS-602518	SPN4FSSS6-602518	60 x 25 x 18		240	SP-60P24F1	48 x 20	SP-60P24F2	24.5 x 20	SP-60SMP14	48 x 14
SPN4FS-722518	SPN4FSSS-722518	SPN4FSSS6-722518	72 x 25 x 18		272	SP-72P24F1	60 x 20	SP-72P24F2	30.88 x 20	SP-72SMP14	60 x 14
SPN4FS-723118	SPN4FSSS-723118	SPN4FSSS6-723118	72 x 31 x 18		285	SP-72P30F1	60 x 26	SP-72P30F2	30.88 x 26	SP-72SMP14	60 x 14
SPN4FS-723718	SPN4FSSS-723718	SPN4FSSS6-723718	72 x 37 x 18		338	SP-72P36F1	60 x 32	SP-72P36F2	30.88 x 32	SP-72SMP14	60 x 14
SPN4FS-902520	SPN4FSSS-902520	SPN4FSSS6-902520	90 x 25 x 20		315	SP-90P24F1	78 x 20	SP-90P24F2	24.88 x 20	SP-90SMP16	78 x 16
SPN4FS-903120	SPN4FSSS-903120	SPN4FSSS6-903120	90 x 31 x 20		361	SP-90P30F1	78 x 26	SP-90P30F2	24.88 x 26	SP-90SMP16	78 x 16
SPN4FS-903720	SPN4FSSS-903720	SPN4FSSS6-903720	90 x 37 x 20		430	SP-90P36F1	78 x 32	SP-90P36F2	24.88 x 32	SP-90SMP16	78 x 16
SPN4FS-603724	SPN4FSSS-603724	SPN4FSSS6-603724	60 x 37 x 24		325	SP-60P36F1	48 x 32	SP-60P36F2	24.5 x 32	SP-60SMP20	48 x 20
SPN4FS-722524	SPN4FSSS-722524	SPN4FSSS6-722524	72 x 25 x 24		300	SP-72P24F1	60 x 20	SP-72P24F2	30.88 x 20	SP-72SMP20	60 x 20
SPN4FS-723124	SPN4FSSS-723124	SPN4FSSS6-723124	72 x 31 x 24		335	SP-72P30F1	60 x 26	SP-72P30F2	30.88 x 26	SP-72SMP20	60 x 20
SPN4FS-723724	SPN4FSSS-723724	SPN4FSSS6-723724	72 x 37 x 24		370	SP-72P36F1	60 x 32	SP-72P36F2	30.88 x 32	SP-72SMP20	60 x 20
SPN4FS-902524	SPN4FSSS-902524	SPN4FSSS6-902524	90 x 25 x 24		346	SP-90P24F1	78 x 20	SP-90P24F2	24.88 x 20	SP-90SMP20	78 x 20
SPN4FS-903124	SPN4FSSS-903124	SPN4FSSS6-903124	90 x 31 x 24		395	SP-90P30F1	78 x 26	SP-90P30F2	24.88 x 26	SP-90SMP20	78 x 20
SPN4FS-903724	SPN4FSSS-903724	SPN4FSSS6-903724	90 x 37 x 24		460	SP-90P36F1	78 x 32	SP-90P36F2	24.88 x 32	SP-90SMP20	78 x 20
SPN4FS-722530	SPN4FSSS-722530	SPN4FSSS6-722530	72 x 25 x 30		348	SP-72P24F1	60 x 20	SP-72P24F2	30.88 x 20	SP-72SMP26	60 x 26
SPN4FS-902530	SPN4FSSS-902530	SPN4FSSS6-902530	90 x 25 x 30		395	SP-90P24F1	78 x 20	SP-90P24F2	24.88 x 20	SP-90SMP26	78 x 26
SPN4FS-723130	SPN4FSSS-723130	SPN4FSSS6-723130	72 x 31 x 30		378	SP-72P30F1	60 x 26	SP-72P30F2	30.88 x 26	SP-72SMP26	60 x 26
SPN4FS-903130	SPN4FSSS-903130	SPN4FSSS6-903130	90 x 31 x 30		445	SP-90P30F1	78 x 26	SP-90P30F2	24.88 x 26	SP-90SMP26	78 x 26
SPN4FS-723730	SPN4FSSS-723730	SPN4FSSS6-723730	72 x 37 x 30		428	SP-72P36F1	60 x 32	SP-72P36F2	30.88 x 32	SP-72SMP26	60 x 26
SPN4FS-903730	SPN4FSSS-903730	SPN4FSSS6-903730	90 x 37 x 30		515	SP-90P36F1	78 x 32	SP-90P36F2	24.88 x 32	SP-90SMP26	78 x 26
SPN4FS-723136	SPN4FSSS-723136	SPN4FSSS6-723136	72 x 31 x 36		422	SP-72P30F1	60 x 26	SP-72P30F2	30.88 x 26	SP-72SMP32	60 x 32
SPN4FS-723736	SPN4FSSS-723736	SPN4FSSS6-723736	72 x 37 x 36		465	SP-72P36F1	60 x 32	SP-72P36F2	30.88 x 32	SP-72SMP32	60 x 32
SPN4FS-903736	SPN4FSSS-903736	SPN4FSSS6-903736	90 x 37 x 36		560	SP-90P36F1	78 x 32	SP-90P36F2	24.88 x 32	SP-90SMP32	78 x 32

NOTE: Sub panels must be ordered separately. Reference page 124 & 125 for sub panel layout.

SPN4FS • SPN4FSSS • SPN4FSSS6

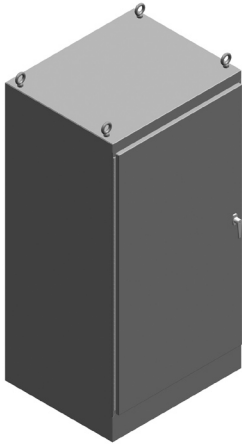


NOTES:

1. Maximum between door clamps is 16.84" (center to center).

Free Standing Enclosures

Type 12 Single Door & Dual Access



APPLICATIONS - Designed to provide protection for electrical terminals, controls, and instruments from dirt, dust, dripping liquids, and oil. Free standing enclosures are designed to accept unistrut mounted sub-panels, rack angles or other adjustable mount equipment.

CONSTRUCTION - Fabricated from 10 and 12 gauge carbon steel, type 304 or type 316 stainless steel with continuous welded seams. Enclosure features:

- Doors are secured with heavy-duty continuous hinges with removable hinge pins and key locking handle with three point latching system
- Adhesive backed, oil resistant gasket applied to the doors
- Unistrut channel
- Print pocket
- Heavy-duty lifting eyes
- Ground studs inside cabinet and door
- Collar studs provided for mounting optional sub panel in back.

ACCESSORIES (Ordered Separately)

- Sub-panels include full size, half-size, side mount, and swing-out panels can be mounted and adjusted for depth on the horizontal unistrut channel
- Clamping nuts for installing other equipment.

FINISH - Standard RAL 7035 texture polyester powder coat finish on interior and exterior of enclosures. Recoatable, smooth, white or ANSI-61 gray available at no charge. Standard RAL and custom match finishes available for an additional charge, please contact Schaefer's Electrical Enclosures, Inc. for further assistance. All powder coat finishes applied over cleaned phosphatized surfaces. Carbon steel sub panels have a white polyester powder coat finish. Stainless Steel enclosures have a polished #4 finish.

OPTIONS - Schaefer's Electrical Enclosures, Inc. can modify standard enclosures or custom design enclosures according to your specifications. Holes, cutouts, sizes, materials, and many more options are available. Quotations upon request.

INDUSTRY STANDARDS

- UL 50 Listed
- CUL 50 Listed
- Type 12

Catalog Number			Enclosure Size H x W x D (inches)	Shpg. Wt.	Sub Panel Part # (Full Panel)	Sub Panel Size H x W (inches)	Sub Panel Part # (1/2 Panel)	Sub Panel Size H x W (inches)	Side Mounted Panel Part #	Side Panel H x W (inches)	Lift. Eyes
Carbon Steel #	304 Stainless Steel #	316 Stainless Steel #									
Single Door											
SPFS-602418	SPFSSS-602418	SPFSSS6-602418	60 x 24 x 18	240	SP-60P24F1	48 x 20	SP-60P24F2	24.88 x 20	SP-60SMP14	48 x 14	2
SPFS-722418	SPFSSS-722418	SPFSSS6-722418	72 x 24 x 18	272	SP-72P24F1	60 x 20	SP-72P24F2	30.88 x 20	SP-72SMP14	60 x 14	2
SPFS-723018	SPFSSS-723018	SPFSSS6-723018	72 x 30 x 18	285	SP-72P30F1	60 x 26	SP72P30F2	30.88 x 26	SP-72SMP14	60 x 14	2
SPFS-723618	SPFSSS-723618	SPFSSS6-723618	72 x 36 x 18	338	SP-72P36F1	60 x 32	SP-72P36F2	30.88 x 32	SP-72SMP14	60 x 14	2
SPFS-902420	SPFSSS-902420	SPFSSS6-902420	90 x 24 x 20	315	SP-90P24F1	78 x 20	SP-90P24F2	39.88 x 20	SP-90SMP16	78 x 16	2
SPFS-903620	SPFSSS-903620	SPFSSS6-903620	90 x 36 x 20	430	SP-90P36F1	78 x 32	SP-90P36F2	39.88 x 32	SP-90SMP16	78 x 16	2
SPFS-603624	SPFSSS-603624	SPFSSS6-603624	60 x 36 x 24	325	SP-60P36F1	48 x 32	SP-60P36F2	24.88 x 32	SP-60SMP20	48 x 20	4
SPFS-722424	SPFSSS-722424	SPFSSS6-722424	72 x 24 x 24	300	SP-72P24F1	60 x 20	SP-72P24F2	30.88 x 20	SP-72SMP20	60 x 20	4
SPFS-723024	SPFSSS-723024	SPFSSS6-723024	72 x 30 x 24	335	SP-72P30F1	60 x 26	SP-72P30F2	30.88 x 26	SP-72SMP20	60 x 20	4
SPFS-723624	SPFSSS-723624	SPFSSS6-723624	72 x 36 x 24	370	SP-72P36F1	60 x 32	SP-72P36F2	30.88 x 32	SP-72SMP20	60 x 20	4
SPFS-903624	SPFSSS-903624	SPFSSS6-903624	90 x 36 x 24	460	SP-90P36F1	78 x 32	SP-90P36F2	39.88 x 32	SP-90SMP20	78 x 20	4
SPFS-722430	SPFSSS-722430	SPFSSS6-722430	72 x 24 x 30	348	SP-72P24F1	60 x 20	SP-72P24F2	30.88 x 20	SP-72SMP20	60 x 20	4
SPFS-723630	SPFSSS-723630	SPFSSS6-723630	72 x 36 x 30	428	SP-72P36F1	60 x 32	SP-72P36F2	30.88 x 32	SP-72SMP26	60 x 26	4
SPFS-723636	SPFSSS-723636	SPFSSS6-723636	72 x 36 x 36	465	SP-72P36F1	60 x 32	SP72P36F2	30.88 x 32	SP-72SMP32	60 x 32	4
SPFS-903636	SPFSSS-903636	SPFSSS6-903636	90 x 36 x 36	560	SP-90P36F1	78 x 32	SP-90P36F2	39.88 x 32	SP-90SMP32	78 x 32	4

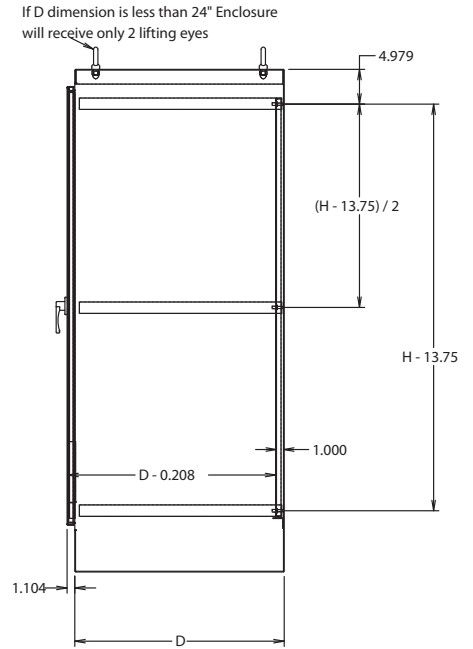
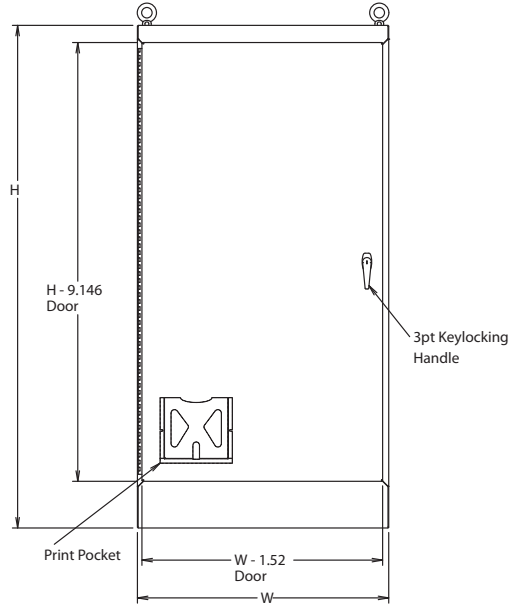
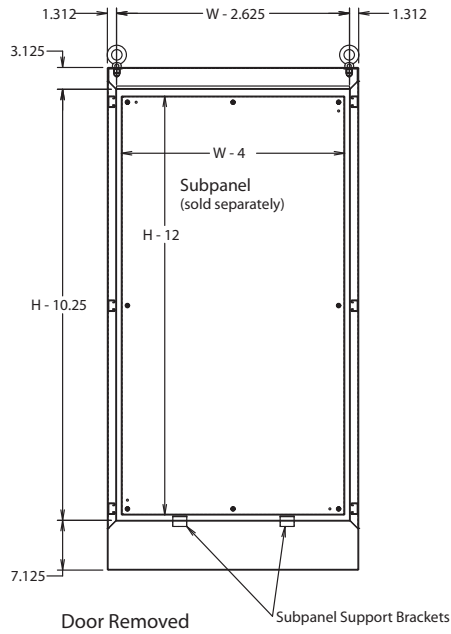
NOTE: Full, half, and side sub panels must be ordered separately. Reference page 124 & 125 for sub panel layout



Catalog Number			Enclosure Size H x W x D (inches)	Shpg. Wt.	Sub Panel Part # (Full Panel)	Sub Panel Size H x W (inches)	Lifting Eyes
Carbon Steel #	304 Stainless Steel #	316 Stainless Steel #					
Single Door - Dual Access							
SPFSDA-722424	SPFSDASS-722424	SPFSDASS6-722424	72 x 24 x 24	335	SP-72P24F1	60 x 20	4
SPFSDA-723024	SPFSDASS-723024	SPFSDASS6-723024	72 x 30 x 24	385	SP-72P30F1	60 x 26	4
SPFSDA-723624	SPFSDASS-723624	SPFSDASS6-723624	72 x 36 x 24	424	SP-72P36F1	60 x 32	4
SPFSDA-903624	SPFSDASS-903624	SPFSDASS6-903624	90 x 36 x 24	536	SP-90P36F1	78 x 32	4
SPFSDA-722430	SPFSDASS-722430	SPFSDASS6-722430	72 x 24 x 30	385	SP-72P24F1	60 x 20	4
SPFSDA-722436	SPFSDASS-722436	SPFSDASS6-722436	72 x 24 x 36	425	SP-72P24F1	60 x 20	4
SPFSDA-723636	SPFSDASS-723636	SPFSDASS6-723636	72 x 36 x 36	495	SP-72P36F1	60 x 32	4
SPFSDA-903636	SPFSDASS-903636	SPFSDASS6-903636	90 x 36 x 36	555	SP-90P36F1	78 x 32	4

NOTE: Full, half, and side sub panels must be ordered separately. Reference page 124 & 125 for sub panel layout

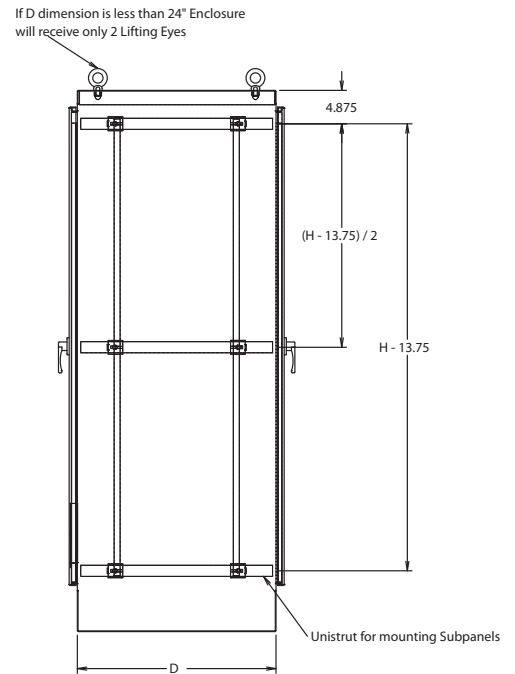
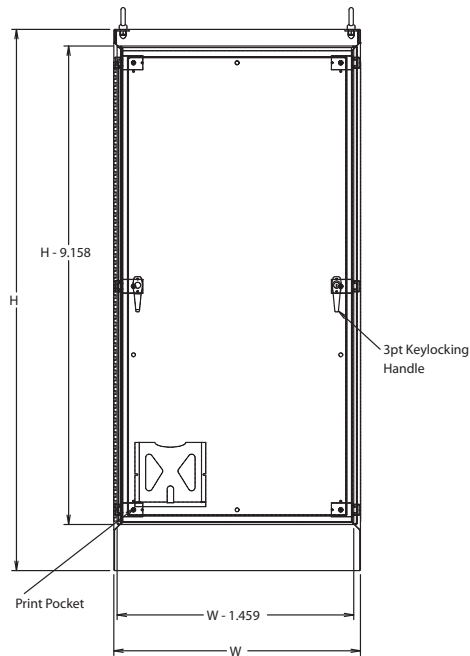
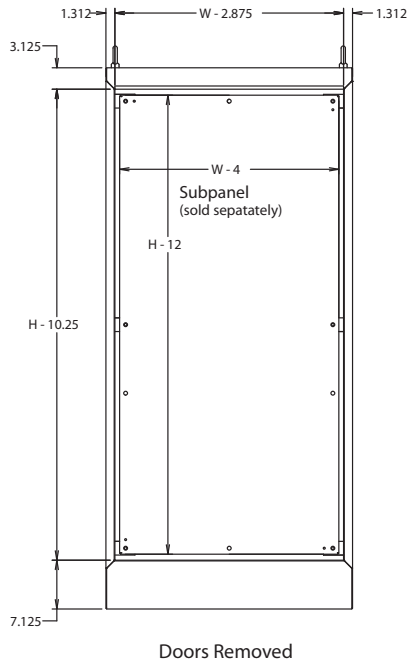
SPFS Single Door



NOTES:

1. 9" x 9" Print pocket shipped inside enclosure.

SPFSDA Single Door Dual Access

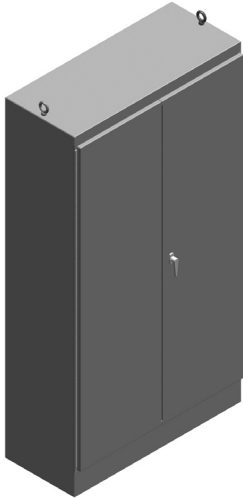


NOTES:

1. 9" x 9" Print pocket shipped inside enclosure.

Free Standing Enclosures

Type 12 Two Door & Two Door Dual Access



APPLICATIONS - Provide protection for electrical terminals, controls, and instruments from dirt, dust, dripping liquids, and oil. Free standing enclosures are designed to accept Unistrut® mounted sub-panels, rack angles or other adjustable mount equipment.

CONSTRUCTION - Fabricated from 10 and 12 gauge carbon steel, type 304 or 12 gauge type 316 stainless steel with continuously welded seams. Enclosure features:

- Doors are secured with heavy-duty continuous hinges with removable hinge pins and key locking handle with three point latching system
- Adhesive backed, oil resistant gasket applied to the doors
- Unistrut channel
- Print pocket
- Heavy-duty lifting bolts
- Ground studs inside cabinet and door
- Body stiffeners for extra rigidity where needed (not applicable for dual access)
- Collar studs provided for mounting optional sub panel in back.

ACCESSORIES (Ordered Separately)

- Sub-panels include full size, half-size, side mount, and swing-out panels. Sub-panels can be mounted and adjusted for depth on the horizontal unistrut channel

- Clamping nuts for installing other equipment
- Center panel supports

FINISH - Standard RAL 7035 texture polyester powder coat finish on interior and exterior of enclosures. Recoatable, smooth, white or ANSI-61 gray available at no charge. Standard RAL and custom match finishes available for an additional charge, please contact Schaefer's Electrical Enclosures, Inc. for further assistance. All powder coat finishes applied over cleaned phosphatized surfaces. Carbon steel sub panels have a white polyester powder coat finish. Stainless Steel enclosures have a polished #4 finish.

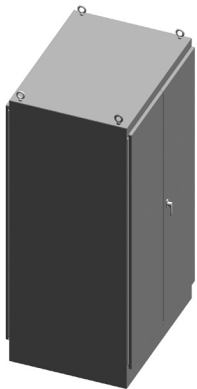
OPTIONS - Schaefer's Electrical Enclosures, Inc. can modify standard enclosures or custom design enclosures according to your specifications. Holes, cutouts, sizes, materials, and many more options are available. Quotations upon request.

INDUSTRY STANDARDS

- UL 50 Listed
- CUL 50 Listed
- Type 12

Catalog Number			Enclosure Size H x W x D (inches)	Shpg. Wt.	Sub Panel Part # (Full Panel)	Sub Panel Size H x W (inches)	Sub Panel Part # (Half Panel)	Sub Panel Size H x W (inches)	Side Mounted Panel Part #	Side Panel H x W (inches)	Lift. Eyes
Carbon Steel #	304 Stainless Steel #	316 Stainless Steel #									
Two Door - Single Access											
SPFSD-604818	SPFSDSS-604818	SPFSDSS6-604818	60 x 48 x 18	430	SP-60P48F1	48 x 44	SP-60P48F2	24.88 x 44	SP-60SMP14	48 x 14	2
SPFSD-724818	SPFSDSS-724818	SPFSDSS6-724818	72 x 48 x 18	492	SP-72P48F1	60 x 44	SP-72P48F2	30.88 x 44	SP-72SMP14	60 x 14	2
SPFSD-726018	SPFSDSS-726018	SPFSDSS6-726018	72 x 60 x 18	568	SP-72P60F1	60 x 56	SP-72P60F2	30.88 x 56	SP-72SMP14	60 x 14	2
SPFSD-727218	SPFSDSS-727218	SPFSDSS6-727218	72 x 72 x 18	645	SP-72P72F1	60 x 68	SP-72P72F2	30.88 x 32	SP-72SMP14	60 x 14	2
SPFSD-904820	SPFSDSS-904820	SPFSDSS6-904820	90 x 48 x 20	590	SP-90P48F1	78 x 44	SP-90P48F2	39.88 x 44	SP-90SMP16	78 x 16	2
SPFSD-907220	SPFSDSS-907220	SPFSDSS6-907220	90 x 72 x 20	783	SP-90P72F1	78 x 68	SP-90P72F2	39.88 x 68	SP-90SMP16	78 x 16	2
SPFSD-724824	SPFSDSS-724824	SPFSDSS6-724824	72 x 48 x 24	530	SP-72P48F1	60 x 44	SP-72P48F2	30.88 x 44	SP-72SMP20	68 x 20	4
SPFSD-726024	SPFSDSS-726024	SPFSDSS6-726024	72 x 60 x 24	645	SP-72P24F1	60 x 20	SP-72P24F2	30.88 x 20	SP-72SMP20	60 x 20	4
SPFSD-727224	SPFSDSS-727224	SPFSDSS6-727224	72 x 72 x 24	694	SP-72P72F1	60 x 68	SP-72P72F2	30.88 x 68	SP-72SMP20	60 x 20	4
SPFSD-907224	SPFSDSS-907224	SPFSDSS6-907224	90 x 72 x 24	825	SP-90P72F1	78 x 68	SP-90P72F2	39.88 x 68	SP-90SMP20	78 x 20	4
SPFSD-726036	SPFSDSS-726036	SPFSDSS6-726036	72 x 60 x 36	750	SP-72P60F1	60 x 56	SP-72P60F2	30.88 x 56	SP-72SMP32	60 x 32	4
SPFSD-907236	SPFSDSS-907236	SPFSDSS6-907236	90 x 72 x 36	1000	SP-90P72F1	78 x 68	SP-90P72F2	39.88 x 68	SP-90SMP32	78 x 32	4

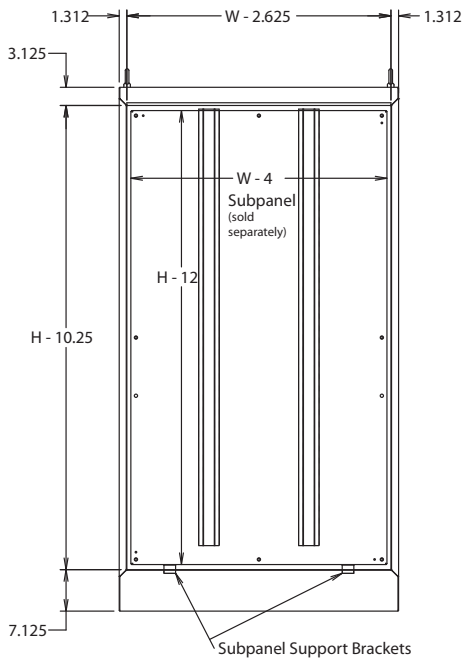
NOTE: Full, half, and side sub panels must be ordered separately. Reference page 124 & 125 for sub panel layout



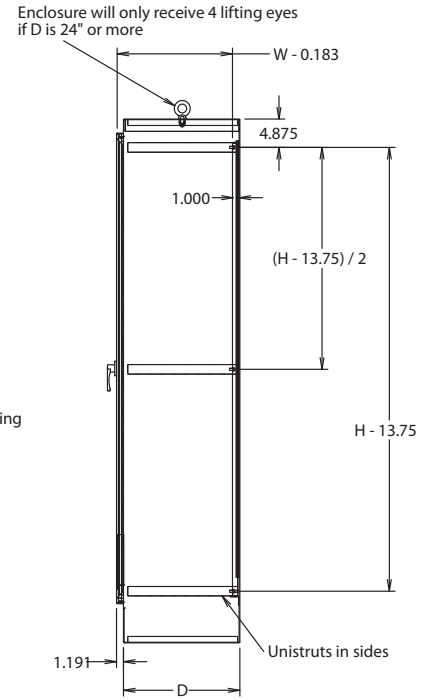
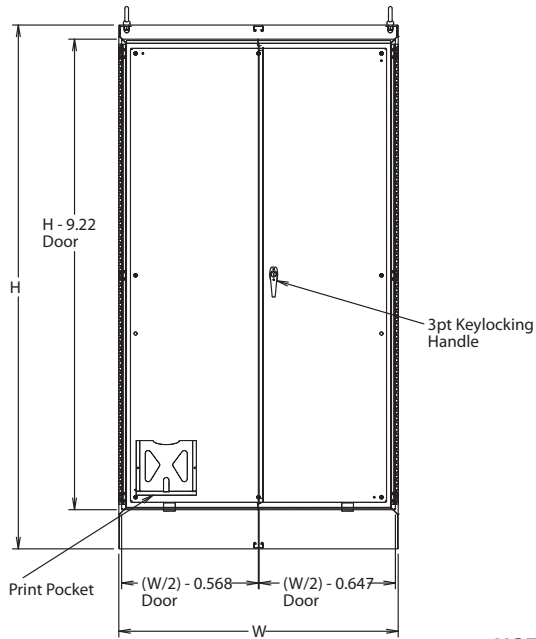
Catalog Number			Enclosure Size H x W x D (inches)	Shpg. Wt.	Sub Panel Part # (Full Panel)	Sub Panel Size H x W (inches)	Lifting Eyes
Carbon Steel #	304 Stainless Steel #	316 Stainless Steel #					
Two Door - Dual Access							
SPFSDAD-724824	SPFSDADSS-724824	SPFSDADSS6-724824	72 x 48 x 24	595	SP-72P48F1	60 x 44	4
SPFSDAD-726024	SPFSDADSS-726024	SPFSDADSS6-726024	72 x 60 x 24	615	SP-72P60F1	60 x 56	4
SPFSDAD-727224	SPFSDADSS-727224	SPFSDADSS6-727224	72 x 72 x 24	695	SP-72P72F1	60 x 68	4
SPFSDAD-907224	SPFSDADSS-907224	SPFSDADSS6-907224	90 x 72 x 24	825	SP-90P72F1	78 x 68	4
SPFSDAD-726036	SPFSDADSS-726036	SPFSDADSS6-726036	72 x 60 x 36	750	SP-72P60F1	60 x 56	4

NOTE: Full, half, and side sub panels must be ordered separately. Reference page 124 & 125 for sub panel layout

SPFSD Two Door



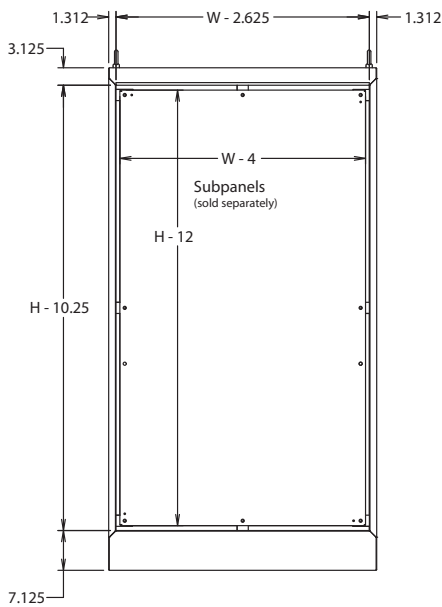
Doors Removed



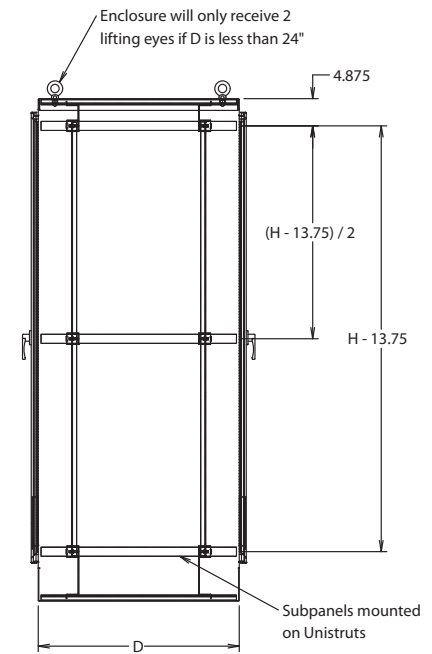
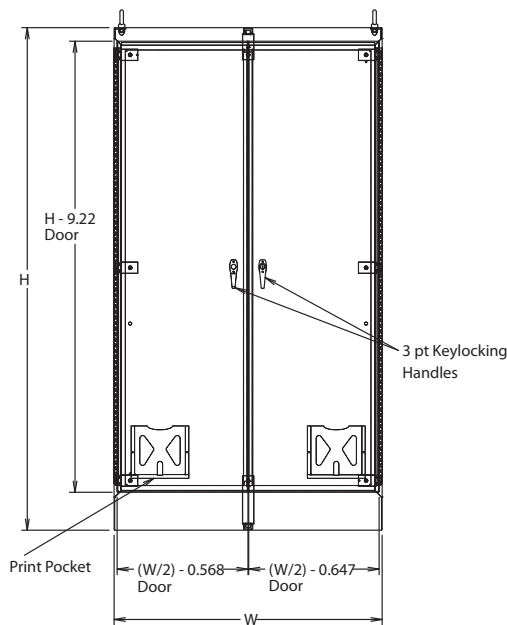
NOTES:

1. 9" x 9" Print pocket shipped inside enclosure.

SPFSDAD Two Door Dual Access



Doors Removed

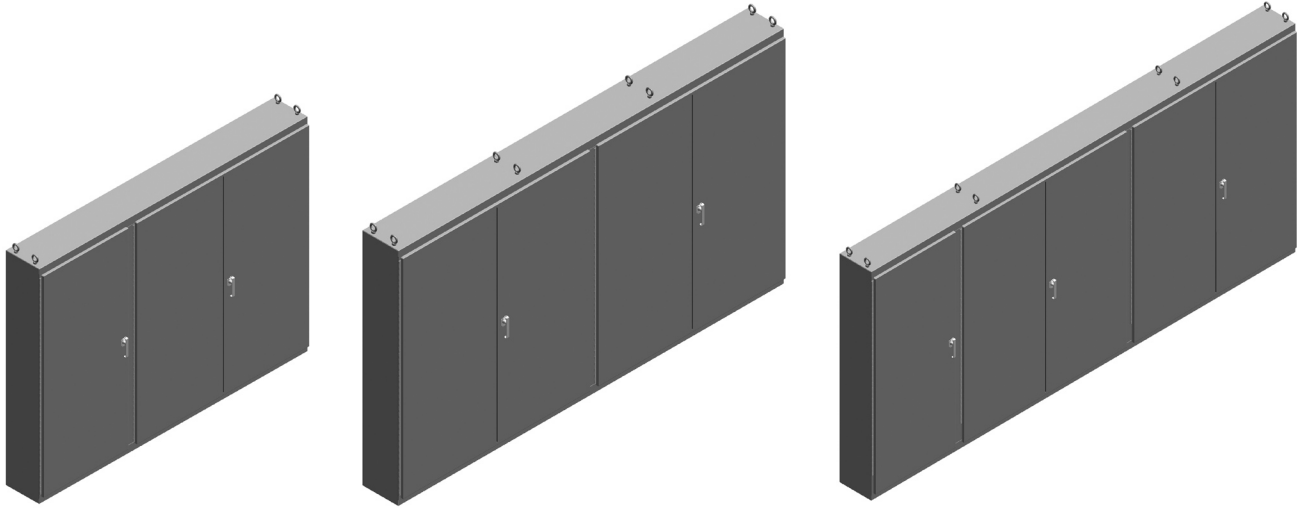


NOTES:

1. 9" x 9" Print pocket shipped inside enclosure.

Type 12 Enclosures

Multi-Door Enclosures with Sub panels



APPLICATIONS - Designed to house electrical controls, terminals and instruments; providing protection from dust, dirt, oil and water.

CONSTRUCTION - Fabricated from 10 and 12 gauge carbon steel with continuously welded seams. Enclosure features:

- Adhesive backed, oil resistant gasket applied to the doors. Overlapping doors which eliminate the need for a center post.
- Each enclosure is equipped with heavy duty lifting eyes, body stiffeners, 3-point padlocking handles, removable print pockets, provision for fluorescent lighting and mechanical interlock with right hand door serving as master door.

- 5-door will be split into 3-door and 2-door sections to be shipped assembled or separate.
- Sub panels must be listed separately when ordering enclosures. (Prices included in the enclosure price.) See page 124 for sub panel layout.

FINISH - Standard RAL 7035 texture polyester powder coat finish on interior and exterior of enclosures. Recoatable, smooth, white or ANSI-61 gray available at no charge. Standard RAL and custom match finishes available for an additional charge, please contact Schaefer's Electrical Enclosures, Inc. for further assistance. All powder coat finishes applied over cleaned phosphatized surfaces. Carbon steel sub panels have a white polyester powder coat finish.

OPTIONS - Schaefer's Electrical Enclosures, Inc. can modify standard enclosures or custom design enclosures according to your specifications. Holes, cutouts, sizes, materials, and many more options are available. Quotations upon request.

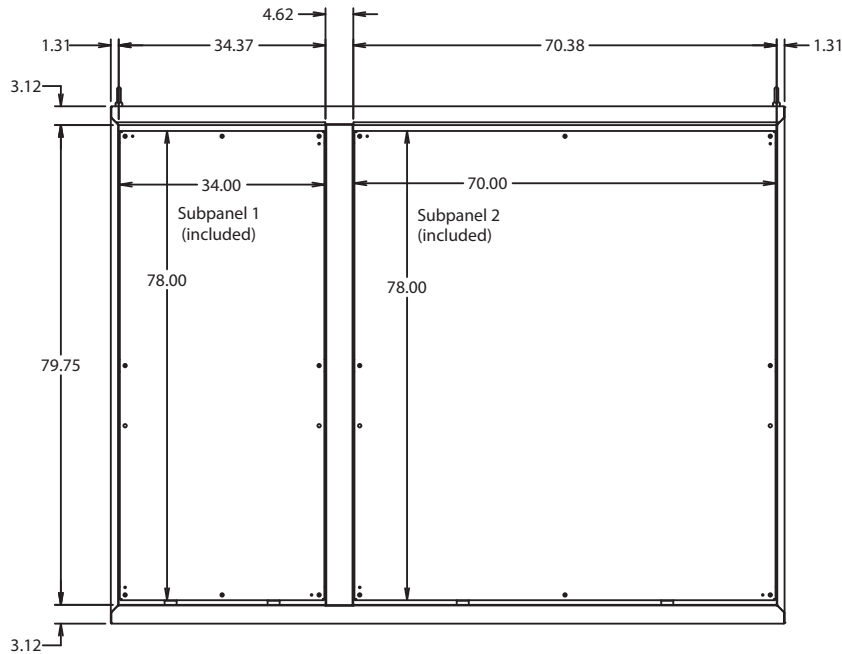
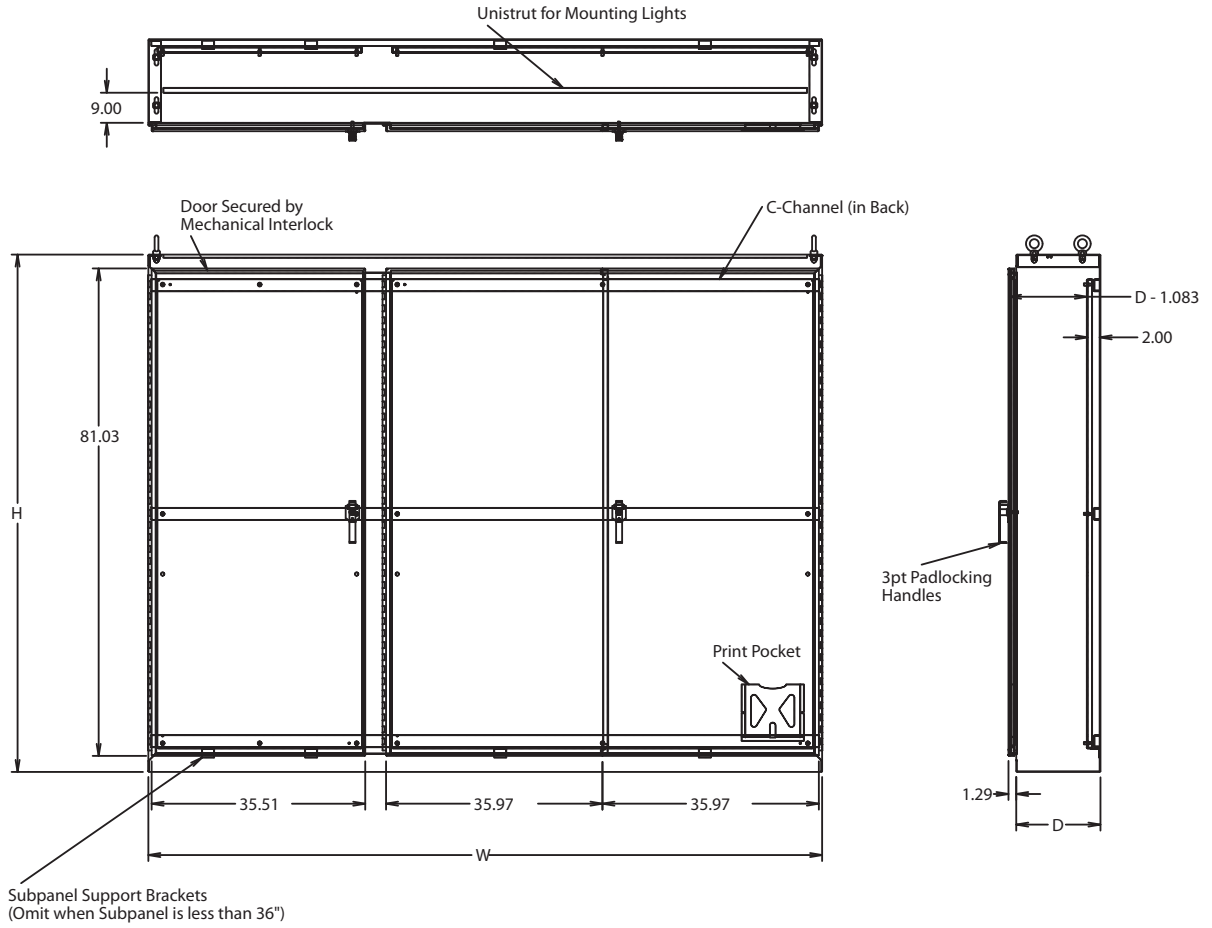
INDUSTRY STANDARDS

- UL 50 Listed
- CUL 50 Listed
- Type 12

Catalog Number	# of Doors	Enclosure Size H x W x D (inches)	Shpg. Wt.	Sub Panel Part #	Sub Panel 1 Size H x W (inches)	Sub Panel Part #	Sub Panel 2 Size H x W (inches)	# of Lifting Eyes
SP-86M3E14	3	86.12 x 112 x 14.12	1690	SPP-78X70	(1) 78 x 70	SPP-78X34	(1) 78 x 34	4
SP-86M4E14	4	86.12 x 149.19 x 14.12	1850	SPP-78X70	(2) 78 x 70	-	-	8
SP-86M5E14	5	86.12 x 187 x 14.12	2200	SPP-78X70	(2) 78 x 70	SPP-78X34	(1) 78 x 34	8
SP-86M3E20	3	86.12 x 112 x 20.12	1850	SPP-78X70	(1) 78 x 70	SPP-78X34	(1) 78 x 34	4
SP-86M4E20	4	86.12 x 149.19 x 20.12	2000	SPP-78X70	(2) 78 x 70	-	-	8
SP-86M5E20	5	86.12 x 187 x 20.12	2900	SPP-78X70	(2) 78 x 70	SPP-78X34	(1) 78 x 34	8

NOTE: Sub panels must be listed separately when ordering enclosures. Reference freestanding sub panels, page 124 for Mounting hole layout

SP-86M3E



Doors Removed

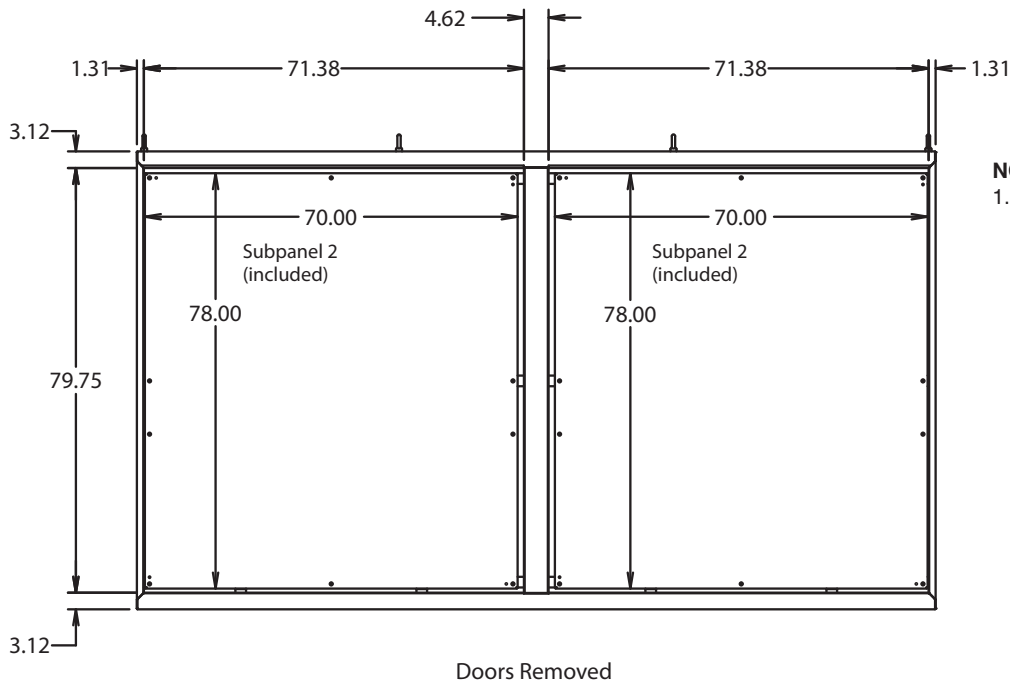
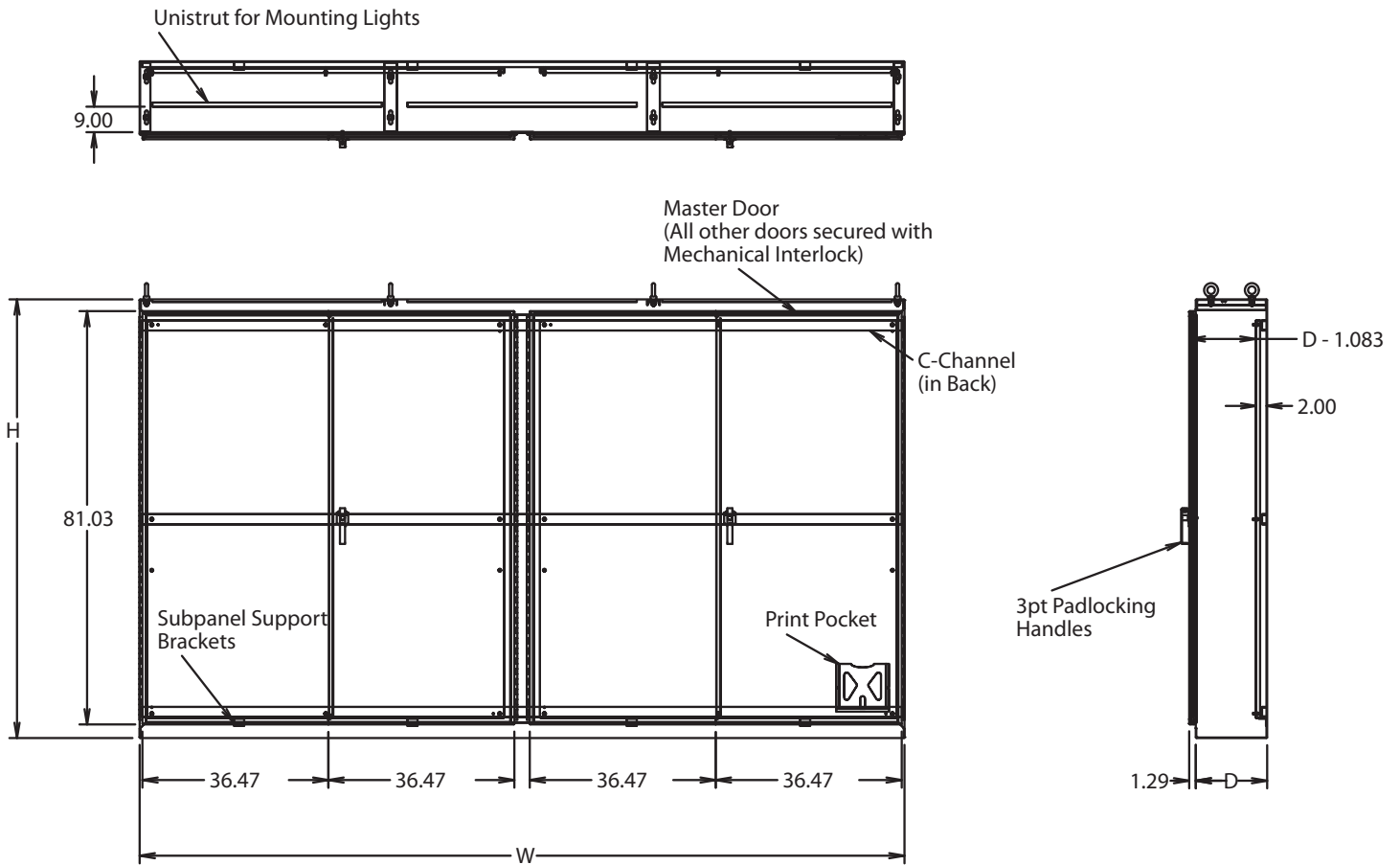
NOTES:

1. 9" x 9" Print pocket shipped inside enclosure.

Type 12 Enclosures

Multi-Door Enclosures with Sub panels

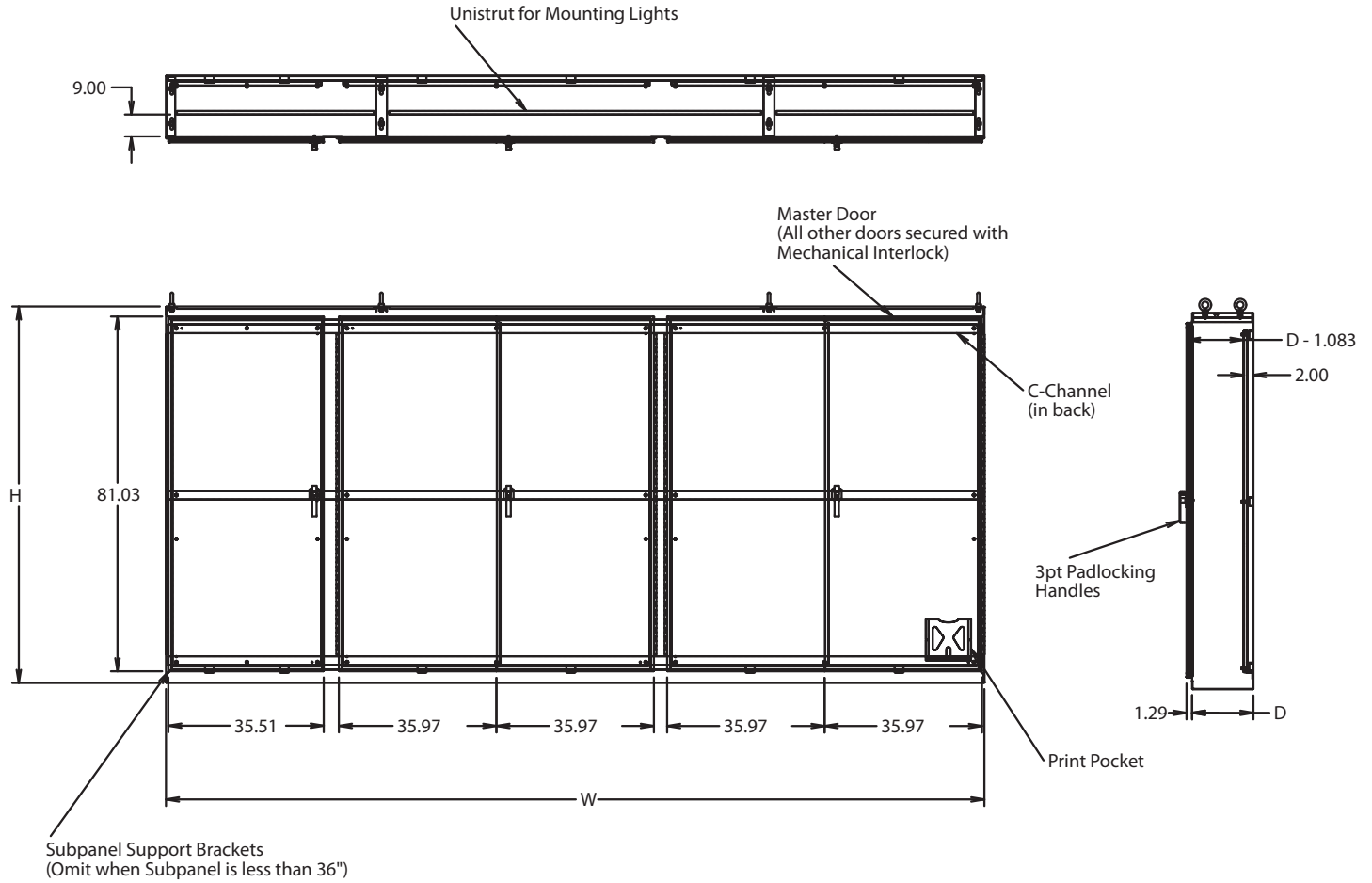
SP-86M4E



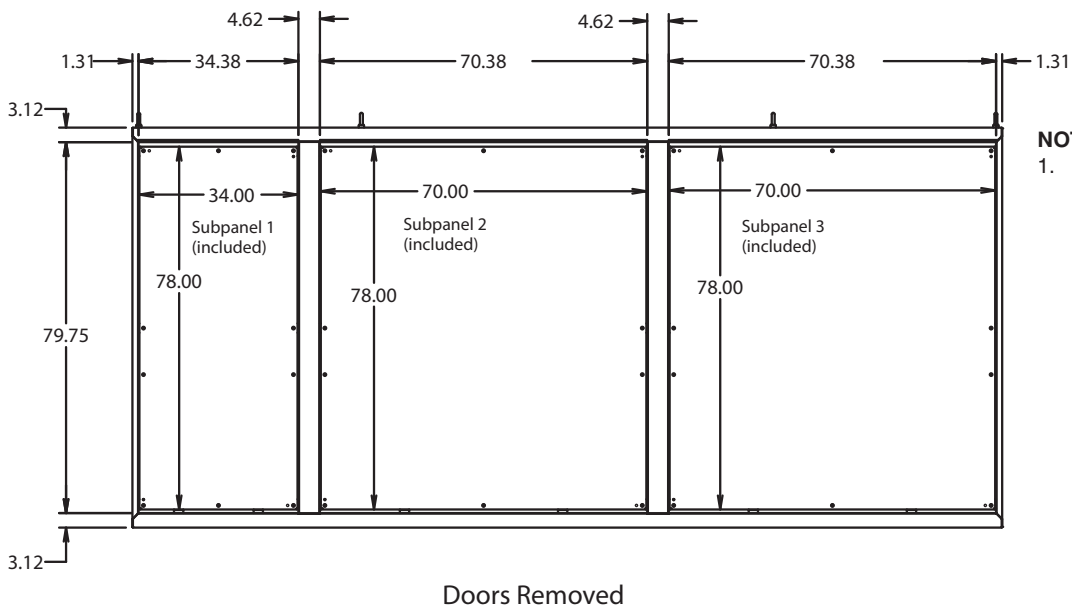
NOTES:

1. 9" x 9" Print pocket shipped inside enclosure.

SP-86M5E

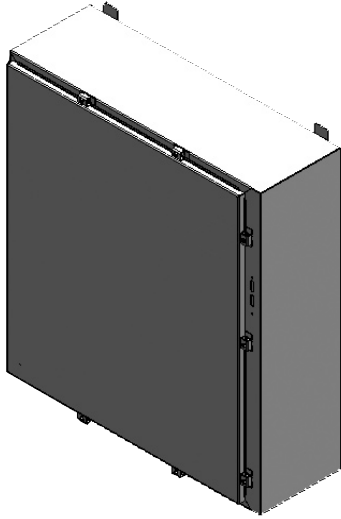


- NOTES:**
1. 9" x 9" Print pocket shipped inside enclosure.



Disconnect Enclosures

Type 4 Single Door Wall Mounted Disconnect Enclosure



APPLICATIONS – For use in the same locations as Schaefer’s standard NEMA 4 enclosures. For Disconnect order information see page 82.

CONSTRUCTION – Fabricated from 14 gauge carbon steel, type 304 or type 316 stainless steel. Enclosure features:

- Door is secured with heavy duty continuous hinge with removable hinge pin.
- Stainless steel clamps and screws on remaining three sides.
- Adhesive backed oil resistant gasket applied to doors.
- Print Pocket
- External mounting feet for wall or machinery mounting.
- Ground studs installed inside door and cabinet
- Collar studs provided for mounting optional sub panels.
- Furnished with holes in right flange for mounting of operating handle or mechanism.
- With padlock provision

FINISH – Standard RAL 7035 texture polyester powder coat finish on interior and exterior of enclosures. Recoatable, smooth, white or ANSI-61 gray available at no charge. Standard RAL and custom match finishes available for an additional charge, please contact Schaefer’s Electrical Enclosures, Inc. for further assistance. All powder coat finishes applied over cleaned phosphatized surfaces. Carbon steel sub panels have a white polyester powder coat finish. Stainless Steel enclosures have a polished #4 finish.

OPTIONS - Schaefer’s Electrical Enclosures, Inc. can modify standard enclosures or custom design enclosures according to your specifications. Holes, cutouts, sizes, materials, and many more options are available. Quotations upon request.

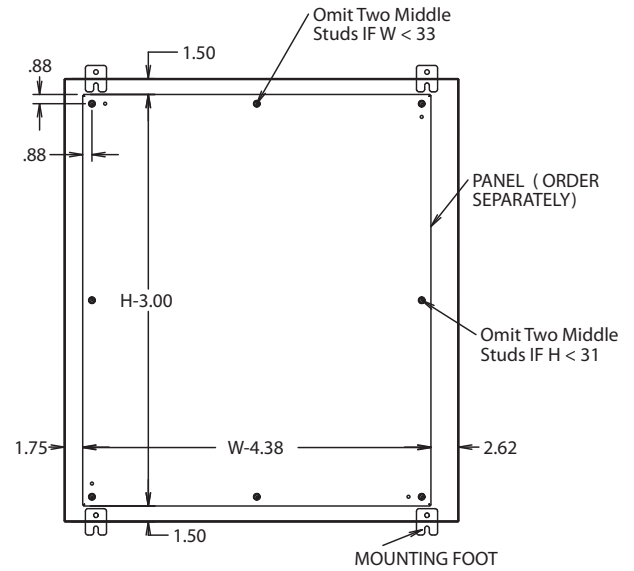
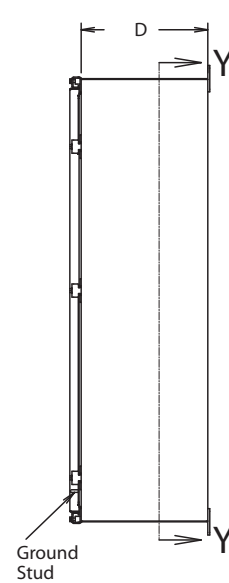
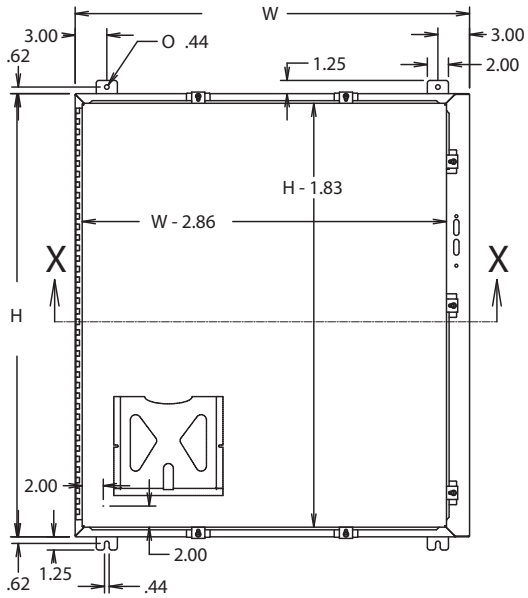
INDUSTRY STANDARD

- UL 50 Listed
- CUL 50 Listed
- Type 4

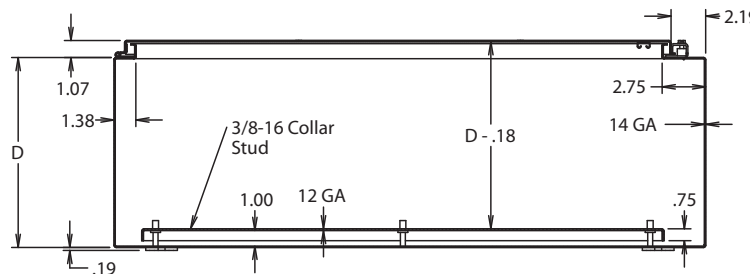
Carbon Steel #	Catalog Number		Enclosure Size H x W x D (inches)	Shpg. Wt.	Sub Panel Part Number	Sub Panel Size
	304 Stainless Steel #	316 Stainless Steel #				
SPSN4-24228	SPSN4SS-24228	SPSN4SS6-24228	24 x 21.37 x 8	51	SPP-2420	21 x 17
SPSN4-24268	SPSN4SS-24268	SPSN4SS6-24268	24 x 25.37 x 8	55	SPP-2424	21 x 21
SPSN4-30268	SPSN4SS-30268	SPSN4SS6-30268	30 x 25.37 x 8	67	SPP-3024	27 x 21
SPSN4-36328	SPSN4SS-36328	SPSN4SS6-36328	36 x 31.37 x 8	94	SPP-3630	33 x 27
SPSN4-423212	SPSN4SS-423212	SPSN4SS6-423212	42 x 31.37 x 12	128	SPP-4230	39 x 27
SPSN4-423812	SPSN4SS-423812	SPSN4SS6-423812	42 x 37.37 x 12	141	SPP-4236	39 x 33
SPSN4-483812	SPSN4SS-483812	SPSN4SS6-483812	48 x 37.37 x 12	157	SPP-4836	45 x 33
SPSN4-603812	SPSN4SS-603812	SPSN4SS6-603812	60 x 37.37 x 12	188	SPP-6036	57 x 33

NOTE: Sub panels must be ordered separately. Reference page 122 for sub panel layout

SPSN4 • SPSN4SS • SPSN4SS6



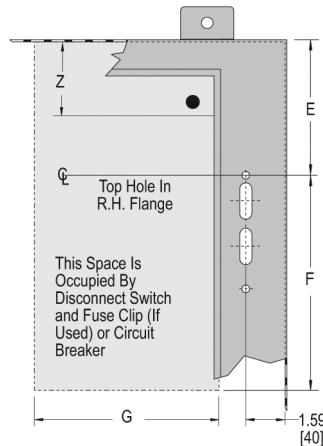
SECTION Y-Y



SECTION X-X

NOTES:

1. Print pocket = 6" x 6" when H and W are 24" or less.
Print pocket = 9" x 9" when H and W are greater than 24".
2. Panels will have formed flanges when either Height or Width is greater than 18".
3. Maximum spacing between door clamps is 16.84" (center to center).



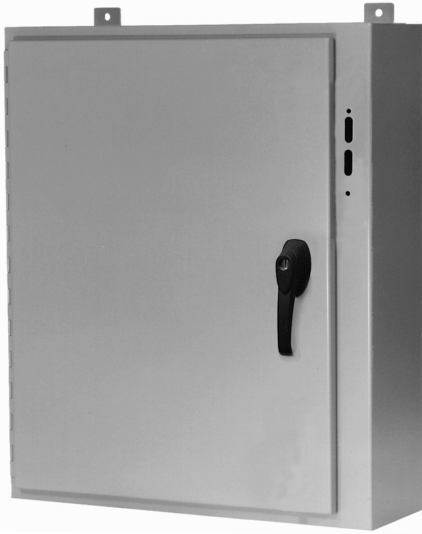
Space Occupied by Disconnects

E = 8.62 when D = 8.00
E = 11.62 when D = 12.00
Z = Wire Bend Spacing

See charts on pages 98-104 for "F", "G", and "Z" dimensions which cover space occupied by disconnect and wire bend spacing. Disconnects occupy the space indicated by "E", "F", and "G".

Disconnect Enclosures - Wall Mount

Type 12 Single Door Disconnect With Handles



APPLICATIONS - Designed to accommodate Allen-Bradley, Cutler-Hammer, General Electric, Square D, Westinghouse, and Siemens/ITE flange mount disconnect switches and circuit breakers and protect them from dust, dripping liquids, dirt and oil. For Disconnect order information see page 82.

CONSTRUCTION - Fabricated from 14 gauge carbon steel, type 304 or type 316 stainless steel. Enclosure features:

- Door is secured with heavy-duty continuous hinge with removable hinge pin
- Provided with black anodized padlocking handle with defeater mechanism and two or three point latching system.
- Adhesive backed, oil resistant gasket applied to the doors
- Print pocket
- External mounting feet for wall or machinery mounting
- Ground studs installed inside cabinet and door
- Collar studs provided for mounting optional sub panels.

FINISH - Standard RAL 7035 texture polyester powder coat finish on interior and exterior of enclosures. Recoatable, smooth, white or ANSI-61 gray available at no charge. Standard RAL and custom match finishes available for an additional charge, please contact Schaefer's Electrical Enclosures, Inc. for further assistance. All powder coat finishes applied over cleaned phosphatized surfaces. Carbon steel sub panels have a white polyester powder coat finish. Stainless Steel enclosures have a polished #4 finish.

OPTIONS - Schaefer's Electrical Enclosures, Inc. can modify standard enclosures or custom design enclosures according to your specifications. Holes, cutouts, sizes, materials, and many more options are available.

INDUSTRY STANDARDS

- UL 50 Listed
- CUL 50 Listed
- Type 12

NOTE - These enclosures will not accept Allen-Bradley 1494F and 1494D circuit breaker operators. (see page 82)

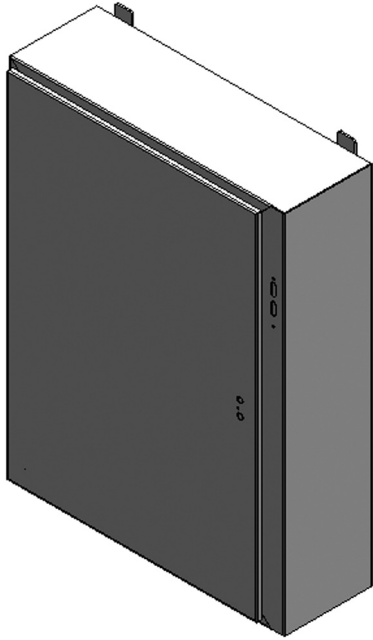
Carbon Steel #	Catalog Number		Enclosure Size H x W x D (inches)	Shpg. Wt.	Sub Panel Part Number	Sub Panel Size H x W (inches)
	304 Stainless Steel #	316 Stainless Steel #				
Wall Mount Disconnects with Handles						
SPSDN12-20228-H	SPSDN12SS-20228-H	SPSDN12SS6-20228-H	20 x 21.38 x 8	44	SPP-2020	17 x 17
SPSDN12-24228-H	SPSDN12SS-24228-H	SPSDN12SS6-24228-H	24 x 21.38 x 8	51	SPP-2420	21 x 17
SPSDN12-24268-H	SPSDN12SS-24268-H	SPSDN12SS6-24268-H	24 x 25.38 x 8	58	SPP-2424	21 x 21
SPSDN12-30228-H	SPSDN12SS-30228-H	SPSDN12SS6-30228-H	30 x 21.38 x 8	59	SPP-3020	27 x 17
SPSDN12-30268-H	SPSDN12SS-30268-H	SPSDN12SS6-30268-H	30 x 25.38 x 8	63	SPP-3024	27 x 21
SPSDN12-36268-H	SPSDN12SS-36268-H	SPSDN12SS6-36268-H	36 x 25.38 x 8	77	SPP-3624	33 x 21
SPSDN12-36328-H	SPSDN12SS-36328-H	SPSDN12SS6-36328-H	36 x 31.38 x 8	94	SPP-3630	33 x 27
SPSDN12-42328-H	SPSDN12SS-42328-H	SPSDN12SS6-42328-H	42 x 31.38 x 8	109	SPP-4230	39 x 27
SPSDN12-42388-H	SPSDN12SS-42388-H	SPSDN12SS6-42388-H	42 x 37.38 x 8	128	SPP-4236	39 x 33
SPSDN12-48388-H	SPSDN12SS-48388-H	SPSDN12SS6-48388-H	48 x 37.38 x 8	137	SPP-4836	45 x 33
SPSDN12-60388-H	SPSDN12SS-60388-H	SPSDN12SS6-60388-H	60 x 37.38 x 8	153	SPP-6036	57 x 33
SPSDN12-202210-H	SPSDN12SS-202210-H	SPSDN12SS6-202210-H	20 x 21.38 x 10	45	SPP-2020	17 x 17
SPSDN12-242210-H	SPSDN12SS-242210-H	SPSDN12SS6-242210-H	24 x 21.38 x 10	55	SPP-2420	21 x 17
SPSDN12-242610-H	SPSDN12SS-242610-H	SPSDN12SS6-242610-H	24 x 25.38 x 10	60	SPP-2424	21 x 21
SPSDN12-302210-H	SPSDN12SS-302210-H	SPSDN12SS6-302210-H	30 x 21.38 x 10	59	SPP-3020	27 x 17
SPSDN12-302610-H	SPSDN12SS-302610-H	SPSDN12SS6-302610-H	30 x 25.38 x 10	71	SPP-3024	27 x 21
SPSDN12-362610-H	SPSDN12SS-362610-H	SPSDN12SS6-362610-H	36 x 25.38 x 10	82	SPP-3624	33 x 21
SPSDN12-363210-H	SPSDN12SS-363210-H	SPSDN12SS6-363210-H	36 x 31.38 x 10	105	SPP-3630	33 x 27
SPSDN12-423210-H	SPSDN12SS-423210-H	SPSDN12SS6-423210-H	42 x 31.38 x 10	119	SPP-4230	39 x 27
SPSDN12-423810-H	SPSDN12SS-423810-H	SPSDN12SS6-423810-H	42 x 37.38 x 10	139	SPP-4236	39 x 33
SPSDN12-483810-H	SPSDN12SS-483810-H	SPSDN12SS6-483810-H	48 x 37.38 x 10	148	SPP-4836	45 x 33
SPSDN12-603810-H	SPSDN12SS-603810-H	SPSDN12SS6-603810-H	60 x 37.38 x 10	178	SPP-6036	57 x 33
SPSDN12-302612-H	SPSDN12SS-302612-H	SPSDN12SS6-302612-H	30 x 25.38 x 12	76	SPP-3024	27 x 21
SPSDN12-363212-H	SPSDN12SS-363212-H	SPSDN12SS6-363212-H	36 x 31.38 x 12	103	SPP-3630	33 x 27
SPSDN12-423212-H	SPSDN12SS-423212-H	SPSDN12SS6-423212-H	42 x 31.38 x 12	123	SPP-4230	39 x 27
SPSDN12-423812-H	SPSDN12SS-423812-H	SPSDN12SS6-423812-H	42 x 37.38 x 12	138	SPP-4236	39 x 33
SPSDN12-483812-H	SPSDN12SS-483812-H	SPSDN12SS6-483812-H	48 x 37.38 x 12	153	SPP-4836	45 x 33
SPSDN12-603812A-H	SPSDN12SS-603812A-H	SPSDN12SS6-603812A-H	60 x 37.38 x 12	183	SPP-6036	57 x 33
SPSDN12-363216-H	SPSDN12SS-363216-H	SPSDN12SS6-363216-H	36 x 31.38 x 16	117	SPP-3630	33 x 27
SPSDN12-483816-H	SPSDN12SS-483816-H	SPSDN12SS6-483816-H	48 x 37.38 x 16	175	SPP-4836	45 x 33
SPSDN12-603816-H	SPSDN12SS-603816-H	SPSDN12SS6-603816-H	60 x 37.38 x 16	200	SPP-6036	57 x 33

NOTE: Reference page 122 for sub panel layout.

SPSDN12-603812A-H, SPSSDN12SS-603812A-H, and SPSSDN12SS6-603812A-H Accepts ABV 1494V 400 and 600 Amp and ITE 800/1200 Amp only.

Disconnect Enclosures - Wall Mount

Type 12 Single Door Disconnect Without Handles



APPLICATIONS - Designed to accommodate Allen-Bradley, Cutler-Hammer, General Electric, Square D, Westinghouse, and Siemens/ITE flange mount disconnect switches and circuit breakers and protect them from dust, dripping liquids, dirt and oil. For Disconnect order information see page 82.

CONSTRUCTION - Fabricated from 14 gauge carbon steel, type 304 or type 316 stainless steel. Enclosure features:

- Door is secured with heavy-duty continuous hinge with removable hinge pin
- Punching available for manufacturers door hardware.
- Adhesive backed, oil resistant gasket applied to the doors
- Print pocket
- External mounting feet for wall or machinery mounting
- Ground studs installed inside cabinet and door
- Collar studs provided for mounting optional sub panels.

FINISH - Standard RAL 7035 texture polyester powder coat finish on interior and exterior of enclosures. Recoatable, smooth, white or ANSI-61 gray available at no charge. Standard RAL and custom match finishes available for an additional charge, please contact Schaefer's Electrical Enclosures, Inc. for further assistance. All powder coat finishes applied over cleaned phosphatized surfaces. Carbon steel sub panels have a white polyester powder coat finish. Stainless Steel enclosures have a polished #4 finish.

OPTIONS - Schaefer's Electrical Enclosures, Inc. can modify standard enclosures or custom design enclosures according to your specifications. Holes, cutouts, sizes, materials, and many more options are available.

INDUSTRY STANDARDS

- UL 50 Listed
- CUL 50 Listed
- Type 12

NOTE - These enclosures will not accept Allen-Bradley 1494F and 1494D circuit breaker operators. (see page 82)

Carbon Steel #	Catalog Number		Enclosure Size H x W x D (inches)	Shpg. Wt.	Sub Panel Part Number	Sub Panel Size H x W (inches)
	304 Stainless Steel #	316 Stainless Steel #				
Wall Mount Disconnects with Handles						
SPSDN12-20228	SPSDN12SS-20228	SPSDN12SS6-20228	20 x 21.38 x 8	44	SPP-2020	17 x 17
SPSDN12-24228	SPSDN12SS-24228	SPSDN12SS6-24228	24 x 21.38 x 8	51	SPP-2420	21 x 17
SPSDN12-24268	SPSDN12SS-24268	SPSDN12SS6-24268	24 x 25.38 x 8	58	SPP-2424	21 x 21
SPSDN12-30228	SPSDN12SS-30228	SPSDN12SS6-30228	30 x 21.38 x 8	59	SPP-3020	27 x 17
SPSDN12-30268	SPSDN12SS-30268	SPSDN12SS6-30268	30 x 25.38 x 8	63	SPP-3024	27 x 21
SPSDN12-36268	SPSDN12SS-36268	SPSDN12SS6-36268	36 x 25.38 x 8	77	SPP-3624	33 x 21
SPSDN12-36328	SPSDN12SS-36328	SPSDN12SS6-36328	36 x 31.38 x 8	94	SPP-3630	33 x 27
SPSDN12-42328	SPSDN12SS-42328	SPSDN12SS6-42328	42 x 31.38 x 8	109	SPP-4230	39 x 27
SPSDN12-42388	SPSDN12SS-42388	SPSDN12SS6-42388	42 x 37.38 x 8	128	SPP-4236	39 x 33
SPSDN12-48388	SPSDN12SS-48388	SPSDN12SS6-48388	48 x 37.38 x 8	137	SPP-4836	45 x 33
SPSDN12-60388	SPSDN12SS-60388	SPSDN12SS6-60388	60 x 37.38 x 8	153	SPP-6036	57 x 33
SPSDN12-202210	SPSDN12SS-202210	SPSDN12SS6-202210	20 x 21.38 x 10	45	SPP-2020	17 x 17
SPSDN12-242210	SPSDN12SS-242210	SPSDN12SS6-242210	24 x 21.38 x 10	55	SPP-2420	21 x 17
SPSDN12-242610	SPSDN12SS-242610	SPSDN12SS6-242610	24 x 25.38 x 10	60	SPP-2424	21 x 21
SPSDN12-302210	SPSDN12SS-302210	SPSDN12SS6-302210	30 x 21.38 x 10	59	SPP-3020	27 x 17
SPSDN12-302610	SPSDN12SS-302610	SPSDN12SS6-302610	30 x 25.38 x 10	71	SPP-3024	27 x 21
SPSDN12-362610	SPSDN12SS-362610	SPSDN12SS6-362610	36 x 25.38 x 10	82	SPP-3624	33 x 21
SPSDN12-363210	SPSDN12SS-363210	SPSDN12SS6-363210	36 x 31.38 x 10	105	SPP-3630	33 x 27
SPSDN12-423210	SPSDN12SS-423210	SPSDN12SS6-423210	42 x 31.38 x 10	119	SPP-4230	39 x 27
SPSDN12-423810	SPSDN12SS-423810	SPSDN12SS6-423810	42 x 37.38 x 10	139	SPP-4236	39 x 33
SPSDN12-483810	SPSDN12SS-483810	SPSDN12SS6-483810	48 x 37.38 x 10	148	SPP-4836	45 x 33
SPSDN12-603810	SPSDN12SS-603810	SPSDN12SS6-603810	60 x 37.38 x 10	178	SPP-6036	57 x 33
SPSDN12-302612	SPSDN12SS-302612	SPSDN12SS6-302612	30 x 25.38 x 12	76	SPP-3024	27 x 21
SPSDN12-363212	SPSDN12SS-363212	SPSDN12SS6-363212	36 x 31.38 x 12	103	SPP-3630	33 x 27
SPSDN12-423212	SPSDN12SS-423212	SPSDN12SS6-423212	42 x 31.38 x 12	123	SPP-4230	39 x 27
SPSDN12-423812	SPSDN12SS-423812	SPSDN12SS6-423812	42 x 37.38 x 12	138	SPP-4236	39 x 33
SPSDN12-483812	SPSDN12SS-483812	SPSDN12SS6-483812	48 x 37.38 x 12	153	SPP-4836	45 x 33
SPSDN12-603812A	SPSDN12SS-603812A	SPSDN12SS6-603812A	60 x 37.38 x 12	183	SPP-6036	57 x 33
SPSDN12-363216	SPSDN12SS-363216	SPSDN12SS6-363216	36 x 31.38 x 16	117	SPP-3630	33 x 27
SPSDN12-483816	SPSDN12SS-483816	SPSDN12SS6-483816	48 x 37.38 x 16	175	SPP-4836	45 x 33
SPSDN12-603816	SPSDN12SS-603816	SPSDN12SS6-603816	60 x 37.38 x 16	200	SPP-6036	57 x 33

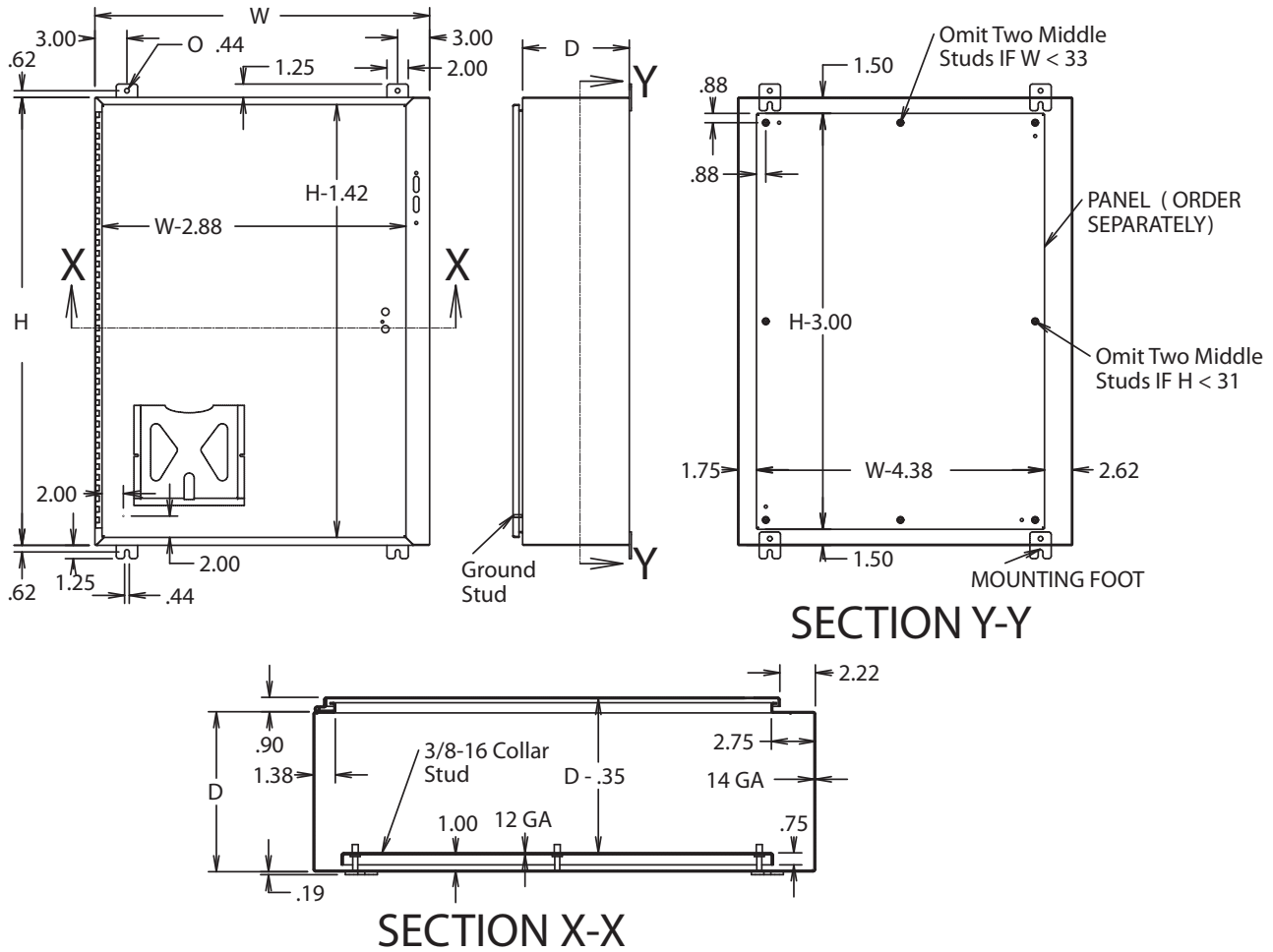
NOTE: Reference page 122 for sub panel layout.

SPSDN12-603812A, SPSPDN12SS-603812A, and SPSPDN12SS6-603812A Accepts ABV 1494V 400 and 600 Amp and ITE 800/1200 Amp only.

Data subject to change without notice

4680 Nash Road, Scott City, MO 63780
866-nema-box • 573-722-5591 • FAX: 573-722-5489
www.electrical-enclosures.com

SPSDN12 - Without Handles



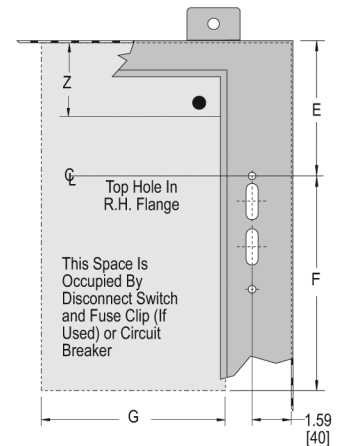
NOTES:

1. Print pocket = 6" x 6" when H and W are 24" or less.
Print pocket = 9" x 9" when H and W are greater than 24".
2. Panels will have formed flanges when either Height or Width is greater than or equal to 18".
3. When $H=40$ " or greater the handle is centered in the height and includes a three point latch system. When H is less than 40" the handle is at the bottom and includes a two point latch system.

Space Occupied By Disconnects

- $E = 4.75$ when $D = 8.00$
- $E = 7.09$ when $D = 10.25$
- $E = 11.62$ when $D = 12.00$
- $E = 11.62$ when $D = 16.00$
- $E = 18.38$ for SPSPDN12-603812A
- $Z =$ Wire Bend Spacing

See charts on pages 98-104 for "F", "G", and "Z" dimensions which cover space occupied by disconnect and wire bend spacing. Disconnects occupy the space indicated by "E", "F", and "G".



Disconnect Enclosures - Wall Mount

Type 12 Single Door Disconnect

Disconnect Ordering Information

When ordering flange-mounted disconnects from the various manufacturers, be sure to order the necessary items. Each company has a different system, read through the following list of items required and refer to the charts on pages 98-104.

Use a Type 4 disconnect operating handle on the enclosure flange to provide corrosion resistance and maintain the enclosure rating.

Items with an (*) preceding them are available from disconnect manufacturer as complete kits.

Allen-Bradley

When using a 1494V disconnect switch, order:

- *1. A disconnect switch with flange mounted operator. (Bulletin 1494V)
 - *2. An operating handle (Bulletin 1494V-H1) Note: use (Bulletin 1494V-H2) operating handle when ordering 12WMRH-060-037-012-SDAV enclosure.
 - *3. A connecting rod - Use (Bulletin 1494V-RA1) when D = 8.00 [203] or 10.25 [260] - Use (Bulletin 1494V-RA2) when D = 12.00 [305] or 16.00 [406] - Use (Bulletin 1494V-RB2) for 400A or 600A switch on 12WMRH-060-037-012-SDAV enclosure.
 - *4. A trailer fuse block kit, if required (Bulletin 1494V)
 - *5. A fuse clip kit, if required
 6. Line and load connectors, if required
- When using a Bulletin 1494V circuit breaker operating mechanism, order:
1. A circuit breaker (C-H/Westinghouse)
 2. A circuit breaker operating mechanism (Bulletin 1494V)
 3. An operating handle (Bulletin 1494V-H11)
 4. A connecting rod - Use (Bulletin 1494V-RA1) when D = 8.00 [203] or 10.25 [260] - Use (Bulletin 1494V-RA2) when D = 12.00 [305] or 16.00 [406]

ABB Controls

When using a disconnect switch, order:

1. A flange-operated switch (fusible or non-fusible)
2. A shaft - Use (DSFHN-12) when D = 8.00 [203], 10.25 [260] or 12.00 [305] - when D = 16.00 [406] use (DSFHS-17)
3. A handle (DSFGN-HS12)

When using a circuit breaker, order:

1. A circuit breaker (ABB)
- *2. An operating mechanism
- *3. A shaft - Use (FHS-12) when D = 8.00 [203], 10.25 [260] or 12.00 [305] - when D = 16.00 [406] use (FHS-17)
- *4. A handle mechanism (FHN-HS12)

Cutler-Hammer/Westinghouse

When using a Type C361 disconnect switch, order:

- *1. A disconnect switch with an operating mechanism
- *2. An operating handle (C361H1 or C361H3)

When using a Type C371 circuit breaker operating mechanism with a C-H/Westinghouse circuit breaker, order:

1. A circuit breaker
- *2. An operating mechanism
- *3. An operating handle (C361H1 or C361H3)

When using a C-H/Westinghouse circuit breaker with a Type 4/4X Flex Shaft™ handle mechanism, order:

1. A circuit breaker
2. A complete Flex Shaft™ handle mechanism

General Electric

When using a disconnect switch, order:

1. A disconnect switch (Type QMR or QMW)
2. A fuse clip kit or no-fuse kit
3. A flange handle (STDA1 or STDA2)
4. A variable depth operating mechanism

When using a circuit breaker, order:

1. A circuit breaker
2. A flange handle (STDA1 or STDA2)
3. A variable depth operating mechanism

When using a circuit breaker with a Spectra Flex™ cable operator, order:

1. A circuit breaker
2. A flange-mounted handle mechanism
3. A breaker-mounted mechanism
4. An operating cable

I-T-E Siemens

When using a disconnect switch, order:

1. A basic switch (right hand)
2. A fuse or non-fuse kit
3. A flange-mounted handle (FHOHS)
4. Switch operator
5. Cable 36.00 inch

When using a circuit breaker, order:

1. A circuit breaker
2. Pressure wire connectors
3. A flange-mounted handle (FHOH) Note: use (FHOHN) for 12WMRH-060-037-012-SDAV enclosure
4. A circuit breaker operator mechanism
5. An operating cable - standard 36.00 inch for 125A to 600A circuit breakers - 48.00 inch for 800A to 1200A circuit breakers

Square D

When using a Class 9422 disconnect switch, order:

- *1. A disconnect switch with operating mechanism (Class 9422)
- *2. A handle mechanism (Class 9422 Type A-1)

When using a circuit breaker, order:

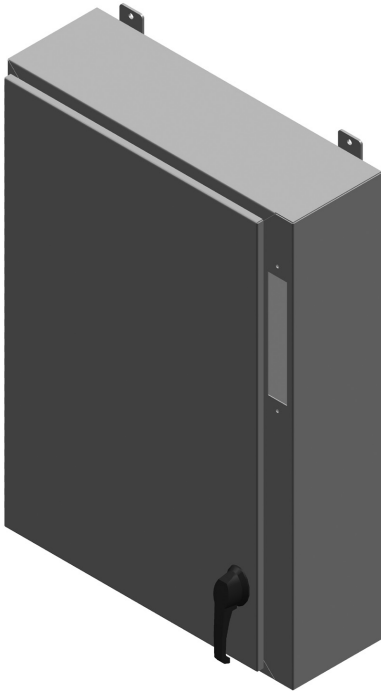
1. A circuit breaker (Square D)
2. An operating mechanism (Class 9422)
3. A handle mechanism (Class 9422 Type A-1)

When using a Class 9422 Type "T" disconnect switch with a cable mechanism, order:

1. A disconnect switch with operating mechanism (Class 9422, Type T)
2. A handle mechanism (Class 9422 Type A-1)
3. A cable mechanism (Class 9422 CFT_O) 3, 5, or 10 foot

When using a circuit breaker with a cable mechanism, order:

1. A circuit breaker (Square D)
2. A handle mechanism (Class 9422 Type A-1)
3. A cable mechanism (Class 9422 CFT_O) 3, 5, or 10 foot



APPLICATIONS - Designed to accommodate Allen-Bradley 1494F and 1494D flange mount disconnect switches and circuit breakers and protect them from dust, dripping liquids, dirt and oil.

CONSTRUCTION - Fabricated from 14 gauge carbon steel, type 304 or type 316 stainless steel with continuously welded seams. Enclosure features:

- Door is secured with heavy-duty continuous hinge with removable hinge pin.
- Provided with black zinc anodized padlocking handle with defeater mechanism and two or three point latching system.
- Adhesive backed, oil resistant gasket applied to the doors.
- Print pocket.
- External mounting feet for wall or machinery mounting.
- Ground studs installed inside cabinet and door.
- Collar studs provided for mounting optional sub panels.

FINISH - Standard RAL 7035 texture polyester powder coat finish on interior and exterior of enclosures. Recoatable, smooth, white or ANSI-61 gray available at no charge. Standard RAL and custom match finishes available for an additional charge, please contact Schaefer's Electrical Enclosures, Inc. for further assistance. All powder coat finishes applied over cleaned phosphatized surfaces. Carbon steel sub panels have a white polyester powder coat finish. Stainless Steel enclosures have a polished #4 finish.

OPTIONS - Schaefer's Electrical Enclosures, Inc. can modify standard enclosures or custom design enclosures according to your specifications. Holes, cutouts, sizes, materials, and many more options are available.

INDUSTRY STANDARDS

- UL 50 Listed
- CUL 50 Listed
- NEMA Type 12

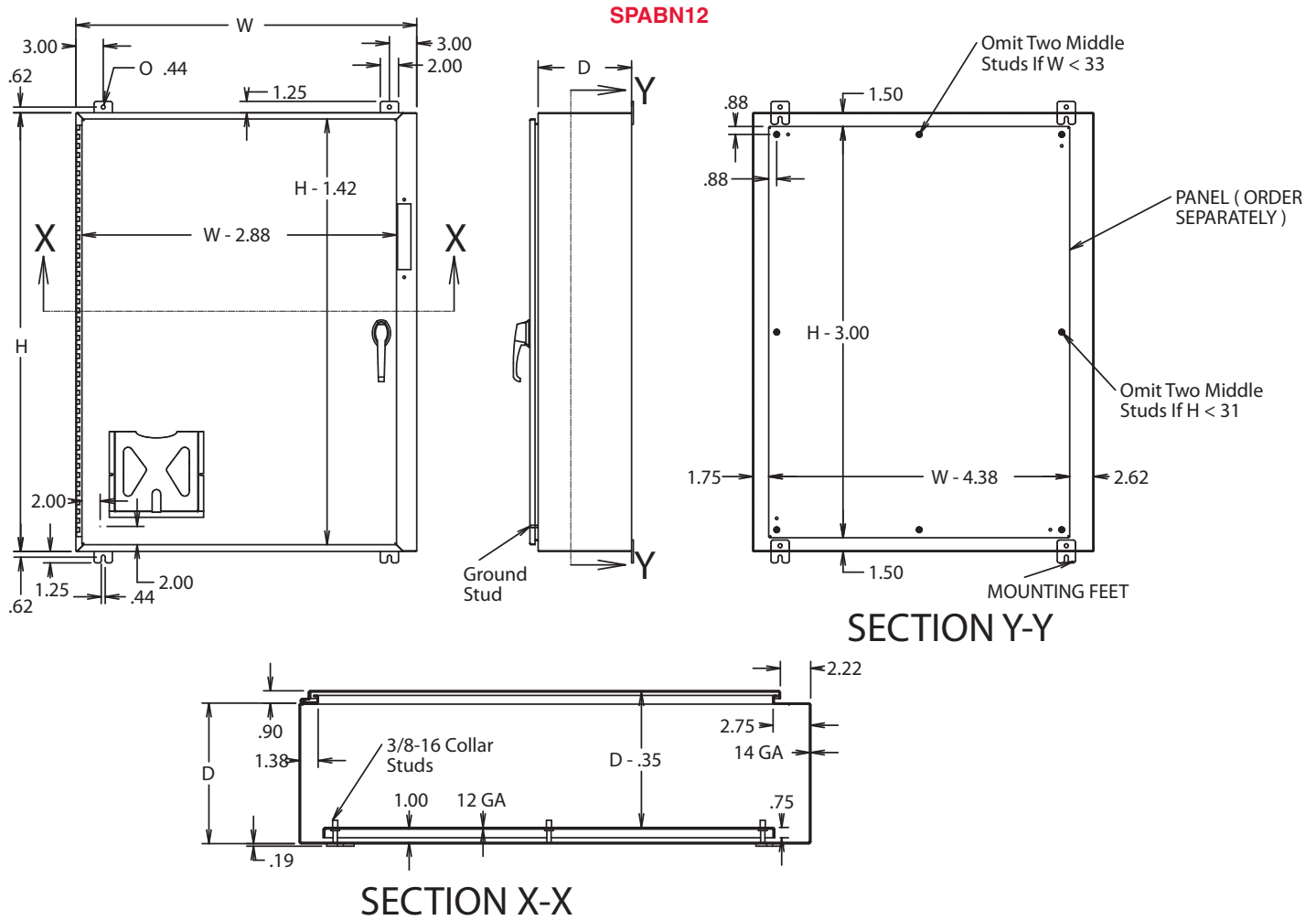
Carbon Steel #	Catalog Number		Enclosure Size H x W x D (inches)	Shpg. Wt.	Sub Panel Part Number	Sub Panel Size H x W (inches)
	304 Stainless Steel #	316 Stainless Steel #				
SPABN12-20228	SPABN12SS-20228	SPABN12SS6-20228	20 x 21.38 x 8	44	SPP-2020	17 x 17
SPABN12-24228	SPABN12SS-24228	SPABN12SS6-24228	24 x 21.38 x 8	51	SPP-2420	21 x 17
SPABN12-24268	SPABN12SS-24268	SPABN12SS6-24268	24 x 25.38 x 8	58	SPP-2424	21 x 21
SPABN12-30228	SPABN12SS-30228	SPABN12SS6-30228	30 x 21.38 x 8	59	SPP-3020	27 x 17
SPABN12-30268	SPABN12SS-30268	SPABN12SS6-30268	30 x 25.38 x 8	63	SPP-3024	27 x 21
SPABN12-36268	SPABN12SS-36268	SPABN12SS6-36268	36 x 25.38 x 8	77	SPP-3624	33 x 21
SPABN12-36328	SPABN12SS-36328	SPABN12SS6-36328	36 x 31.38 x 8	94	SPP-3630	33 x 27
SPABN12-42328	SPABN12SS-42328	SPABN12SS6-42328	42 x 31.38 x 8	109	SPP-4230	39 x 27
SPABN12-42388	SPABN12SS-42388	SPABN12SS6-42388	42 x 37.38 x 8	128	SPP-4236	39 x 33
SPABN12-48388	SPABN12SS-48388	SPABN12SS6-48388	48 x 37.38 x 8	137	SPP-4836	45 x 33
SPABN12-60388	SPABN12SS-60388	SPABN12SS6-60388	60 x 37.38 x 8	153	SPP-6036	57 x 33
SPABN12-202210	SPABN12SS-202210	SPABN12SS6-202210	20 x 21.38 x 10	45	SPP-2020	17 x 17
SPABN12-242210	SPABN12SS-242210	SPABN12SS6-242210	24 x 21.38 x 10	55	SPP-2420	21 x 17
SPABN12-242610	SPABN12SS-242610	SPABN12SS6-242610	24 x 25.38 x 10	60	SPP-2424	21 x 21
SPABN12-302210	SPABN12SS-302210	SPABN12SS6-302210	30 x 21.38 x 10	59	SPP-3020	27 x 17
SPABN12-302610	SPABN12SS-302610	SPABN12SS6-302610	30 x 25.38 x 10	71	SPP-3024	27 x 21
SPABN12-362610	SPABN12SS-362610	SPABN12SS6-362610	36 x 25.38 x 10	82	SPP-3624	33 x 21
SPABN12-363210	SPABN12SS-363210	SPABN12SS6-363210	36 x 31.38 x 10	105	SPP-3630	33 x 27
SPABN12-423210	SPABN12SS-423210	SPABN12SS6-423210	42 x 31.38 x 10	119	SPP-4230	39 x 27
SPABN12-423810	SPABN12SS-423810	SPABN12SS6-423810	42 x 37.38 x 10	139	SPP-4236	39 x 33
SPABN12-483810	SPABN12SS-483810	SPABN12SS6-483810	48 x 37.38 x 10	148	SPP-4836	45 x 33
SPABN12-603810	SPABN12SS-603810	SPABN12SS6-603810	60 x 37.38 x 10	178	SPP-6036	57 x 33
SPABN12-302612	SPABN12SS-302612	SPABN12SS6-302612	30 x 25.38 x 12	76	SPP-3024	27 x 21
SPABN12-363212	SPABN12SS-363212	SPABN12SS6-363212	36 x 31.38 x 12	103	SPP-3630	33 x 27
SPABN12-423212	SPABN12SS-423212	SPABN12SS6-423212	42 x 31.38 x 12	123	SPP-4230	39 x 27
SPABN12-423812	SPABN12SS-423812	SPABN12SS6-423812	42 x 37.37 x 12	138	SPP-4236	39 x 33
SPABN12-483812	SPABN12SS-483812	SPABN12SS6-483812	48 x 37.38 x 12	153	SPP-4836	45 x 33
SPABN12-603812	SPABN12SS-603812	SPABN12SS6-603812	60 x 37.38 x 12	183	SPP-6036	57 x 33
SPABN12-363216	SPABN12SS-363216	SPABN12SS6-363216	36 x 31.38 x 16	117	SPP-3630	33 x 27
SPABN12-483816	SPABN12SS-483816	SPABN12SS6-483816	48 x 37.38 x 16	175	SPP-4836	45 x 33
SPABN12-603816	SPABN12SS-603816	SPABN12SS6-603816	60 x 37.38 x 16	200	SPP-6036	57 x 33
SPABN12-483816A**	SPABN12SS-483816A**	SPABN12SS6-483816A**	48 x 37.38 x 16	175	SPP-4836	45 x 33
SPABN12-603816A**	SPABN12SS-603816A**	SPABN12SS6-603816A**	60 x 37.38 x 16	200	SPP-6036	57 x 33

NOTE: Reference page 122 for sub panel layout.

** Suitable for 200 amp disconnect switches and 1494F-L only.

Disconnect Enclosures - Wall Mount

Type 12 Allen Bradley 1494F & D Single Door Disconnect



NOTES:

1. Print pocket = 6" x 6" when H and W are 24" or less.
Print pocket = 9" x 9" when H and W are greater than 24".
2. Panels will have formed flanges when either Height or Width is greater than or equal to 18".
3. When H=40" or greater the handle is centered in the height and includes a three point latch system. When H is less than 40" the handle is at the bottom and includes a two point latch system.

Disconnect Ordering Information

When using a 1494F disconnect switch, order:

1. A disconnect switch (30A, 60A, or 100A)
2. A fuse block adapter, if required
3. Line and load connectors, if required

Exception: SPSDN12-603812A enclosure requires one set (1494F-L4) 3-point latching hardware
SPSDN12-603812A enclosure will only accept 200A (1494F) disconnect switch. This switch will not fit in any other size.

When using a Bulletin 1494D circuit breaker operating mechanism, order:

1. A circuit breaker (C-H/Westinghouse)
2. A circuit breaker operating mechanism
3. A slide mechanism

Space Occupied By Disconnects

E = 3.84 when D = 8.00

E = 6.75 when D = 10.25

E = 9.50 when D = 12.00

Except for 200A switches

E = 9.50 when D = 16.00

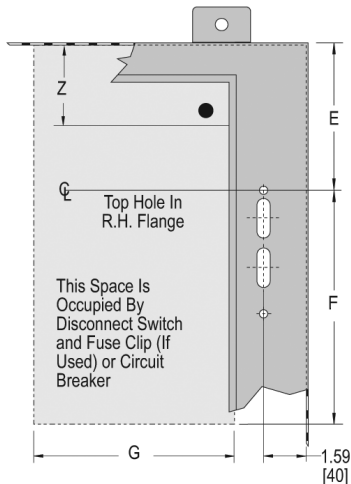
E = 10.50 when D = 12.00

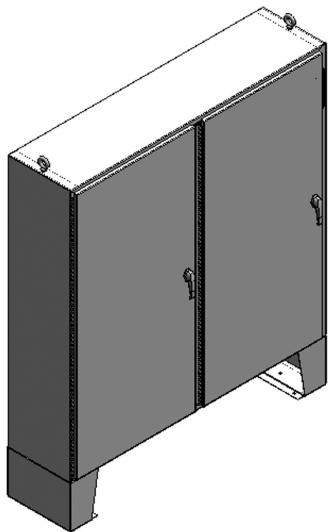
For enclosures with 200A switches

Z = Wire Bend Spacing

See charts on pages 98-104 for "F", "G", and "Z" dimensions which cover space occupied by disconnect and wire bend spacing.

Disconnects occupy the space indicated by "E", "F", and "G".





APPLICATIONS - Designed to accommodate Allen-Bradley, Cutler-Hammer, General Electric, Square D, Westinghouse, and Telemecanique/ITE flange mount disconnect switches and circuit breakers and protect them from dust, dripping liquids, dirt and oil. For ordering information see page 87.

CONSTRUCTION - Fabricated from 10 gauge carbon steel with continuously welded seams. Enclosure features:

- Doors are secured with continuous hinges with removable hinge pins
- Black zinc anodized padlocking handle with built-in defeater mechanism (on the master door only) and three point latching system
- Adhesive backed, oil resistant gasket applied to the doors
- Removable center post for easy installation of the sub-panel.
- 15-inch floor stands
- Print pocket
- Heavy-duty lifting eyes
- Universal cutout provides mounting for most disconnect operators by using Adapter Kits.
- Ground studs installed inside cabinet and door
- Collar studs provided for mounting optional sub panels
- Body stiffeners for extra rigidity where needed

FINISH - Standard RAL 7035 texture polyester powder coat finish on interior and exterior of enclosures. Recoatable, smooth, white or ANSI-61 gray available at no charge. Standard RAL and custom match finishes available for an additional charge, please contact Schaefer's Electrical Enclosures, Inc. for further assistance. All powder coat finishes applied over cleaned phosphatized surfaces. Carbon steel sub panels have a white polyester powder coat finish.

OPTIONS - Schaefer's Electrical Enclosures, Inc. can modify standard enclosures or custom design enclosures according to your specifications. Holes, cutouts, sizes, materials, and many more options are available. Quotations upon request.

INDUSTRY STANDARDS

- UL 50 Listed
- CUL 50 Listed
- Type 12

NOTE - Adapter plates must be ordered separately. See page 126 for ordering information.

Catalog Number	Enclosure Size H x W x D (inches)	Shpg. Wt.	Sub Panel Part Number	Sub Panel Size H x W (inches)
SP-60X4912	60 x 49.75 x 12	485	SPDD-6048	56 x 44
SP-60X6112	60 x 61.75 x 12	535	SPDD-6060	56 x 56
SP-72X6112	72 x 61.75 x 12	635	SPDD-7260	68 x 56
SP-72X7312	72 x 73.75 x 12	710	SPDD-7272	68 x 68
SP-60X4918	60 x 49.75 x 18	535	SPDD-6048	56 x 44
SP-60X6118	60 x 61.75 x 18	630	SPDD-6060	56 x 56
SP-72X6118	72 x 61.75 x 18	797	SPDD-7260	68 x 56
SP-72X7318	72 x 73.75 x 18	845	SPDD-7272	68 x 68
SP-60X4924	60 x 49.75 x 24	639	SPDD-6048	56 x 44
SP-60X6124	60 x 61.75 x 24	727	SPDD-6060	56 x 56
SP-72X7324	72 x 73.75 x 24	970	SPDD-7272	68 x 68

NOTE: Reference page 124 for sub panel layout.

Space Occupied By Disconnects

Note:

E = 7.88 [204] when H = 60.12 [1527]

E = 13.88 [343] when H = 72.12 [1832]

Allen-Bradley 1494F and 1494D

E = 5.88 [149] when H = 60.12 [1527]

E = 11.88 [288] when H = 72.12 [1832] except for 200 Amp

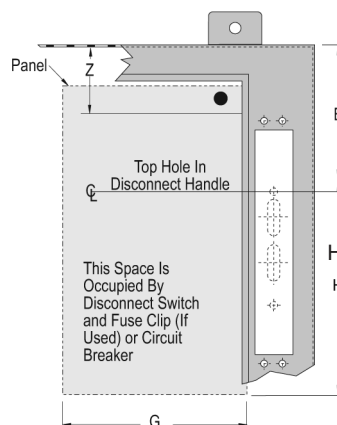
E = 10.56 [255] when H = 72.12 [1832] for 200 Amp only

Z = Wire Bend Spacing

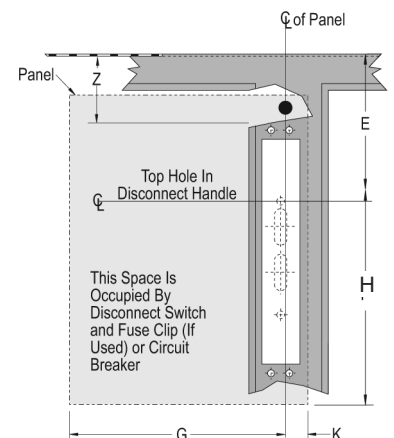
See charts on pages 98-104 for "F", "G", and "Z" dimensions which cover space occupied by disconnect and wire bend spacing.

Disconnects occupy the space indicated by "E", "F", and "G".

Right Hand Flange Disconnects



Center Post Disconnects

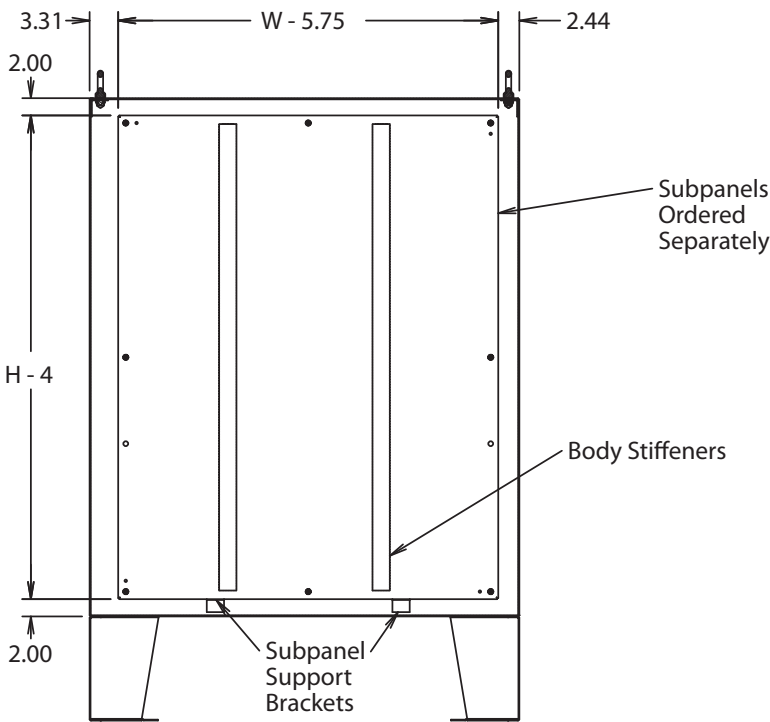
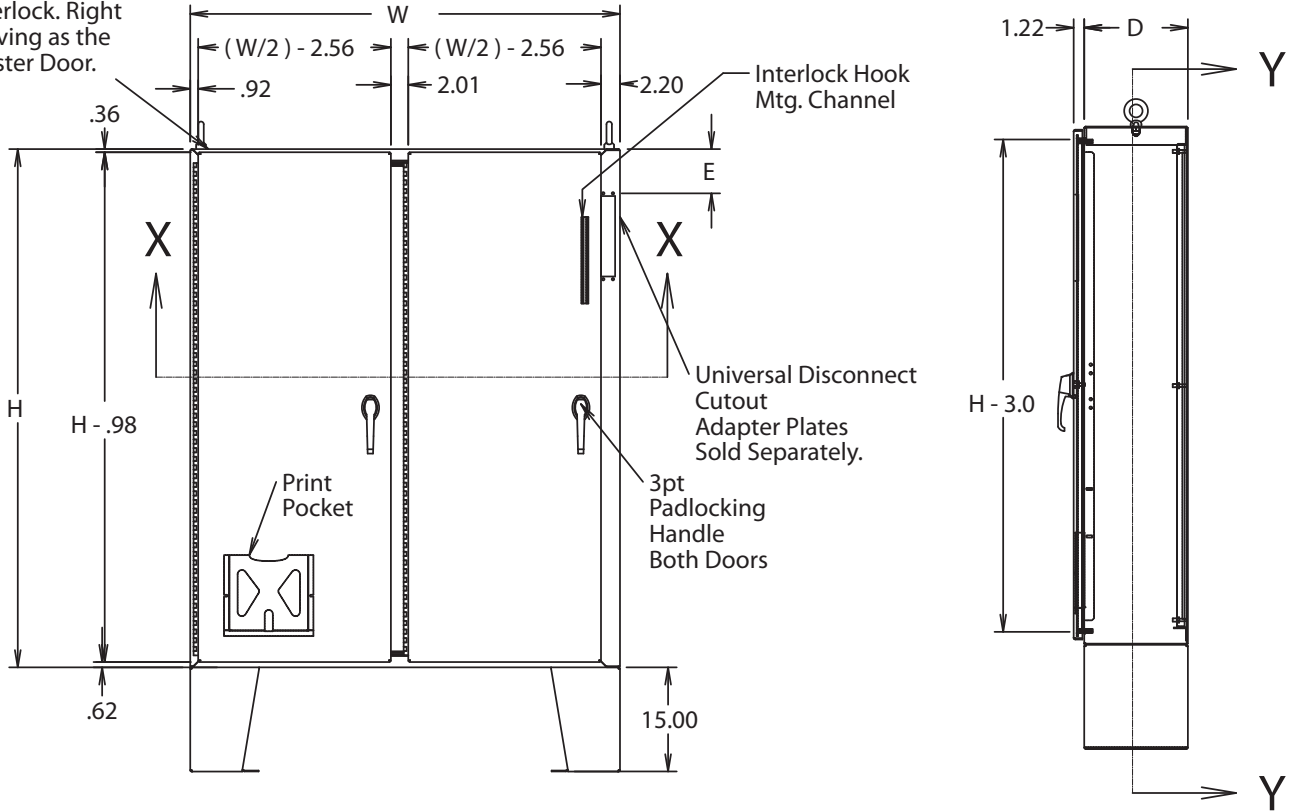


Disconnect Enclosures - Floor Mount

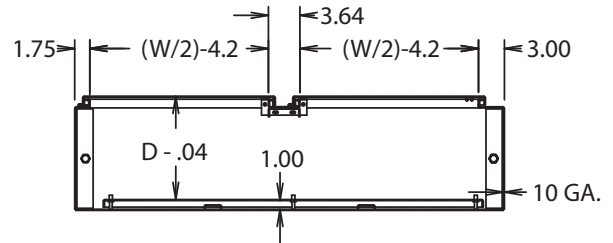
Type 12 Double Door Right Flange

SP

Left Door Secured
With Mechanical
Interlock. Right
Serving as the
Master Door.



SECTION Y-Y



SECTION X-X

NOTES:

1. 9" x 9" print pocket shipped inside enclosure.

Space Occupied By Disconnects

See charts on pages 98-104 for "F", "G", and "Z" dimensions which cover space occupied by disconnect and wire bend spacing. Disconnects occupy the space indicated by "E", "F" and "G" on disconnect diagrams on the previous page.

All 24.13 [610] deep enclosures include an adjustable size platform which is 6.00 [152] high. The platform is required for mounting the following disconnect devices.

- ABB Controls flange-operated devices
- Cutler Hammer C361 devices
- Cutler Hammer C371 mechanisms which use C371E, F, G, K operating mechanism
- General Electric Type TDA devices
- Square D Class 9422 devices

The platform can be omitted if long connecting rods are ordered.

- For Cutler-Hammer operating mechanisms C371E and C371F order catalog number C371CS1 connecting rod. For C371G and C371K order catalog number C371CS2 connecting rod
- For General Electric devices, order catalog number TDSR extended length drive rod
- For Square D devices, order catalog number 9422-R2 extra long operating rod(s). Some devices require two rods.

Disconnect Ordering Information

When ordering flange-mounted disconnects from the various manufacturers, be sure to order the necessary items. Each company has a different system, read through the following list of items required and refer to the charts on pages 98-104.

Items with an (*) preceding them are available from disconnect manufacturer as complete kits.

Allen-Bradley

When using a 1494F flange mounted disconnect switch, order:

1. A disconnect switch
2. A fuse block adapter
3. Line and load connectors, if required

When using a 1494D flange-mounted operator for a circuit breaker, order:

1. A circuit breaker (C-H/Westinghouse)
2. A flange mounted operator mechanism
3. A slide mechanism

When using 1494V disconnect switch, order:

- *1. A disconnect switch
- *2. An operating handle
- *3. A connecting rod (long)
- *4. A trailer fuse block kit, if required
- *5. A fuse clip kit, if required
6. Line and load connectors, if required

When using a 1494V circuit breaker operating mechanism, order:

1. A circuit breaker (C-H/Westinghouse)
2. A circuit breaker operating mechanism
3. An operating handle
4. A connecting rod (long)

An optional Allen-Bradley channel support kit is recommended when Allen-Bradley 1494V devices are installed in 72.13 [1829] high enclosures with center post mounted operating handle

ABB Controls

When using a disconnect switch, order:

1. A flange-operated switch (fusible or non-fusible)
2. A shaft (DSFHS-12) for 12.13 [305] deep or (DSFHS-17) for 18.13 [457] deep enclosures in 24.13 [610] deep enclosure a platform must be used with shaft
3. A handle (DSFHN-HS12)

When using a circuit breaker, order:

1. A circuit breaker (ABB)
2. An operating mechanism
3. A shaft (FSH-12) for 12.13 [305] deep or (FSH-17) for 18.13 [457] deep enclosures in 24.13 [610] deep enclosure a platform must be used with shaft
4. A handle (FHN-HS12)

Cutler-Hammer/Westinghouse

When using a Type C361 disconnect switch, order:

- *1. A disconnect switch with an operating mechanism
- *2. An operating handle (C361H1 or C361H3)

When using a Type C371 circuit breaker operating mechanism with a C-H/Westinghouse circuit breaker, order:

1. A circuit breaker
- *2. An operating mechanism
- *3. An operating handle

When using a Type SM handle mechanism, order:

1. A circuit breaker
2. A Type SM handle mechanism

When using a C-H/Westinghouse circuit breaker with a Type 4/4X Flex Shaft™ handle mechanism, order:

1. A circuit breaker
2. A complete Flex Shaft™ handle mechanism

General Electric

When using a disconnect switch, order:

1. A disconnect switch (Type QMR or QMW)
2. A fuse clip kit or no-fuse kit
3. A flange handle (STDA1 or STDA2)
4. A variable depth operating mechanism
5. An extended length drive rod, if required

When using a circuit breaker, order:

1. A circuit breaker
2. A flange handle (STDA1 or STDA2)
3. A variable depth operating mechanism
4. An extended length drive rod, if required

An optional General Electric Flange Stiffener Kit (catalog # TDSR) is recommended when General Electric Type TDA devices are installed in 72.13 [1829] high enclosures

with operating handle mounted on center post. Use with TDOM1, TDOM2, TDOM3, S100M1A, and S100M3 operating mechanisms.

When using a circuit breaker with a Spectra Flex™ cable operator, order:

1. A circuit breaker
2. A flange-mounted handle mechanism
3. A breaker-mounted mechanism
4. An operating cable

I-T-E Siemens

When using a disconnect switch, order:

1. A basic switch (right hand)
2. A fuse or non-fuse kit
- *3. A flange-mounted handle (FHOHS)
- *4. Switch operator
- *5. FHOECO36 36.00 inch cable for 12.13 [305] deep enclosures or FHOECO48 for 18.13 [457] and 24.13 [610] deep enclosures

When using a circuit breaker, order:

1. A circuit breaker
2. Pressure wire connectors
- *3. A flange-mounted handle
- *4. A circuit breaker operator mechanism
- *5. An operating cable - 36.00 [914] or 48.00 [1219] long cable for 12.13 [305] and 18.13 [457] deep enclosures and 48.00 [1219] cable 24.13 [610] deep enclosures

* These items are available from ITE as a complete mechanism with a 36.00 [914] long cable only. Order items separately when using a 48.00 [1219] operating cable.

Square D

When using a disconnect switch, order:

1. A disconnect switch with operating mechanism
2. A universal handle mechanism
3. A long operating rod, if required

When using a circuit breaker, order:

1. A circuit breaker
2. An operating mechanism
3. A universal handle mechanism

When using a Class 9422 Type "T" disconnect switch with a cable mechanism, order:

1. A disconnect switch with operating mechanism (Class 9422, Type T)
2. A handle mechanism (Class 9422 Type A-1)
3. A cable mechanism (Class 9422 CFT_0) 3, 5, or 10 foot

When using a circuit breaker with a cable mechanism, order:

1. A circuit breaker (Square D)
2. A handle mechanism (Class 9422 Type A-1)
3. A cable mechanism (Class 9422 CFT_0) 3-, 5-, or 10-foot

An optional Square D Channel Flange Support Kit (catalog # 9422-C1) is recommended when some Square D devices are installed in 72.13 [1829] high enclosures with operating handle mounted on center post.

Heavy-Duty Enclosures

Type 12 Free Standing Disconnect with Sub Panel

APPLICATIONS - Designed to provide protection for electrical instruments, terminals, and controls from dust, oil, dirt and dripping liquids.

CONSTRUCTION - Fabricated from 10 gauge carbon steel with continuously welded seams. Enclosure features:

- Single or multiple doors secured with continuous hinges with removable hinge pins.
- Black zinc anodized padlocking defeater handle, three point latching system, and overhead mechanical interlock.
- Adhesive backed, oil resistant gasket applied to the doors.
- Print pocket.
- Heavy-duty lifting eyes.
- Ground studs inside cabinet and door.

- Collar studs provided for mounting optional sub panels.
- Body stiffeners for extra rigidity.
- 5-door will be split into 3-door and 2-door sections to be shipped assembled or separate.
- Universal cutout provides mounting for most disconnect operators by using Adapter Kits.

FINISH - Standard RAL 7035 texture polyester powder coat finish on interior and exterior of enclosures. Recoatable, smooth, white or ANSI-61 gray available at no charge. Standard RAL and custom match finishes available for an additional charge, please contact Schaefer's Electrical Enclosures, Inc. for further assistance. All powder coat finishes applied over cleaned phosphatized surfaces. Carbon

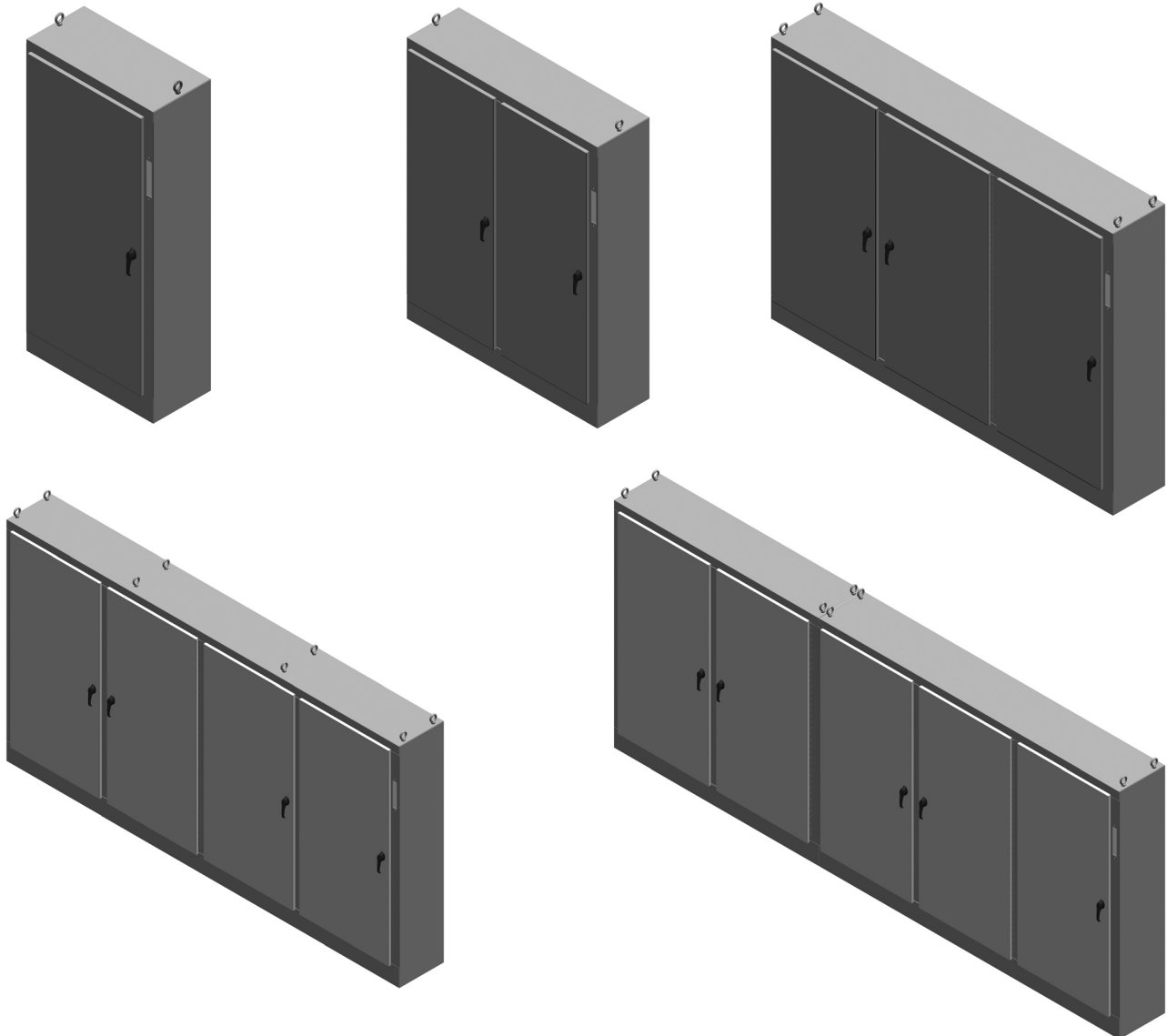
steel sub panels have a white polyester powder coat finish.

OPTIONS - Schaefer's Electrical Enclosures, Inc. can modify standard enclosures or custom design enclosures according to your specifications. Holes, cutouts, sizes, materials, and many more options are available. Quotations upon request.

INDUSTRY STANDARDS

- UL 50 Listed
- CUL 50 Listed
- Type 12

NOTE - Adapter plates must be ordered separately. See page 126 for ordering information.



Catalog Number	Doors	Enclosure Size H x W x D (inches)	Shpg. Wt.	Sub Panel Part Number A	Sub Panel Size H x W (inches)	Sub Panel Part Number B	Sub Panel Size H x W (inches)
Single Door							
SP-72XM2818AF	1	72 x 28.25 x 18	368	SPP-60X21.75	60 x 21.75	-	-
SP-72XM3418AF	1	72 x 34.25 x 18	430	SPP-60X27.75	60 x 27.75	-	-
SP-72XM4018AF	1	72 x 40.25 x 18	559	SPP-60X33.75	60 x 33.75	-	-
SP-84XM4018AF	1	84 x 40.25 x 18	630	SPP-72X33.75	72 x 33.75	-	-
SP-90XM4018AF	1	90 x 40.25 x 18	750	SPP-78X33.75	78 x 33.75	-	-
SP-90XM4020AF	1	90 x 40.25 x 20	865	SPP-78X33.75	78 x 33.75	-	-
SP-84XM4024AF	1	84 x 40.25 x 24	750	SPP-72X33.75	72 x 33.75	-	-
SP-90XM4024AF	1	90 x 40.25 x 24	910	SPP-78X33.75	78 x 33.75	-	-
Double Door							
SP-72XM5418AF	2	72 x 54.5 x 18	695	SPP-60X48	60 x 48	-	-
SP-72XM6618AF	2	72 x 66.5 x 18	815	SPP-60X60	60 x 60	-	-
SP-72XM7818AF	2	72 x 78.5 x 18	895	SPP-60X72	60 x 72	-	-
SP-84XM7818AF	2	84 x 78.5 x 18	1200	SPP-72X72	72 x 72	-	-
SP-90XM7818AF	2	90 x 78.5 x 18	1250	SPP-78X72	78 x 72	-	-
SP-90XM7820AF	2	90 x 78.5 x 20	1330	SPP-78X72	78 x 72	-	-
SP-72XM7824AF	2	72 x 78.5 x 24	965	SPP-60X72	60 x 72	-	-
SP-84XM7824AF	2	84 x 78.5 x 24	1200	SPP-72X72	72 x 72	-	-
SP-90XM7824AF	2	90 x 78.5 x 24	1392	SPP-78X72	78 x 72	-	-
Three Door							
SP-72XM3EQ18AF	3	72 x 100.75 x 18	1330	SPP-60X60	60 x 60	(1) SPP-60X27.75	60 x 27.75
SP-72XM3EW18AF	3	72 x 118.75 x 18	1540	SPP-60X72	60 x 72	(1) SPP-60X33.75	60 x 33.75
SP-84XM3EW18AF	3	84 x 118.75 x 18	1750	SPP-72X72	72 x 72	(1) SPP-72X33.75	72 x 33.75
SP-84XM3EW24AF	3	84 x 118.75 x 24	1836	SPP-72X72	72 x 72	(1) SPP-72X33.75	72 x 33.75
SP-90XM3EW24AF	3	90 x 118.75 x 24	1950	SPP-78X72	78 x 72	(1) SPP-78X33.75	78 x 33.75
Four Door							
SP-84XM4EW18AF	4	84 x 158 x 18	2300	(2) SPP-72X72	72 x 72	-	-
SP-90XM4EW18AF	4	90 x 158 x 18	2400	(2) SPP-78X72	78 x 72	-	-
SP-84XM4EW24AF	4	84 x 158 x 24	2536	(2) SPP-72X72	72 x 72	-	-
SP-90XM4EW24AF	4	90 x 158 x 24	2600	(2) SPP-78X72	78 x 72	-	-
Five Door							
SP-84XM5EW18AF	5	84 x 197.75 x 18	2580	(2) SPP-72X72	72 x 72	(1) SPP-72X33.75	72 x 33.75
SP-90XM5EW18AF	5	90 x 197.75 x 18	2800	(2) SPP-78X72	78 x 72	(1) SPP-78X33.75	78 x 33.75
SP-84XM5EW24AF	5	84 x 197.75 x 24	2830	(2) SPP-72X72	72 x 72	(1) SPP-72X33.75	72 x 33.75
SP-90XM5EW24AF	5	90 x 197.75 x 24	2900	(2) SPP-78X72	78 x 72	(1) SPP-78X33.75	78 x 33.75

NOTE: Reference page 124 for sub panel layout.

Space Occupied By Disconnects

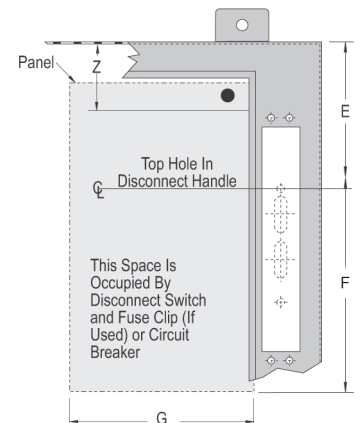
Note:

- E = 11.88 [302] when H = 72 [1778]
- E = 17.88 [454] when H = 84 [2134], except 400 Amp or 600 Amp switches
- E = 20.88 [530] when H = 90 [2286], except 400 Amp or 600 Amp switches
- E = 16.43 [417] when H = 84 [2134], 400 Amp and 600 Amp switches only
- E = 19.43 [494] when H = 90 [2286], 400 Amp and 600 Amp switches only

Allen Bradley 1494F only

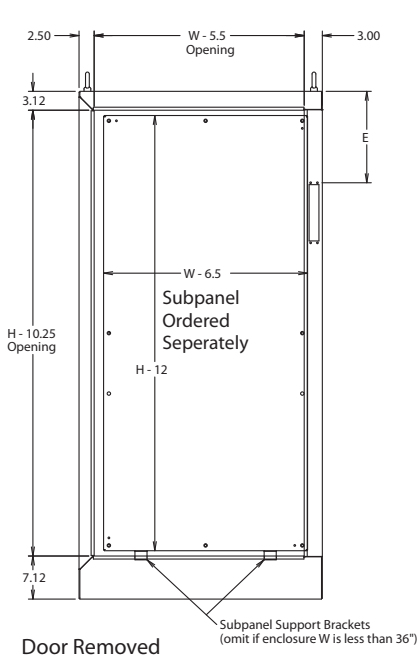
- E = 9.88 [251] when H = 72 [1778], except 200 Amp switch
- E = 15.88 [403] when H = 84 [2134], except 200 Amp switch
- E = 18.80 [478] when H = 90 [2286], except 200 Amp switch
- E = 8.56 [217] when H = 72 [1778], 200 Amp switch only
- E = 14.56 [370] when H = 84 [2134], 200 Amp switch only
- E = 17.56 [446] when H = 90 [2286], 200 Amp switch only
- Z = Wire Bend Spacing

See charts on pages 98-104 for "F", "G, and "Z" dimensions which cover space occupied by disconnect and wire bend spacing. Disconnects occupy the space indicated by "E", "F", and "G".

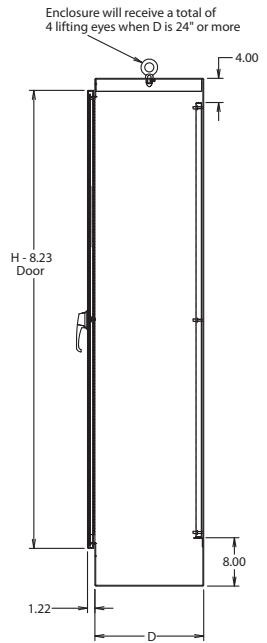
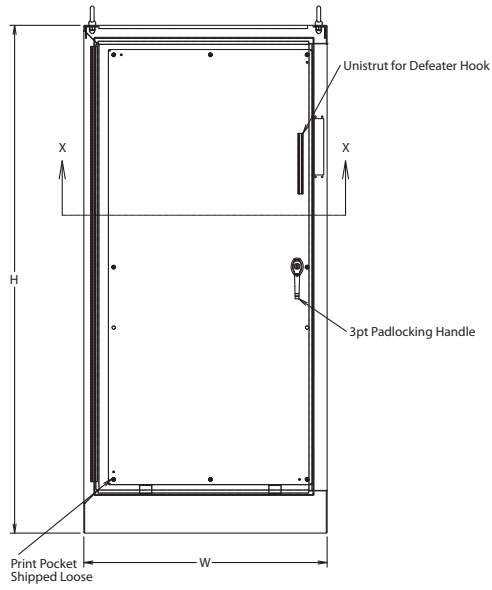


Heavy-Duty Enclosures

Type 12 Free Standing Disconnect with Sub Panel

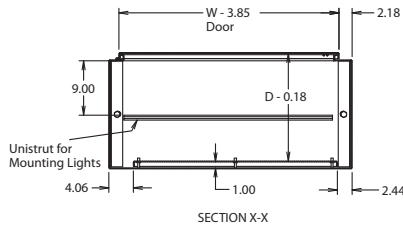


SP Single Door

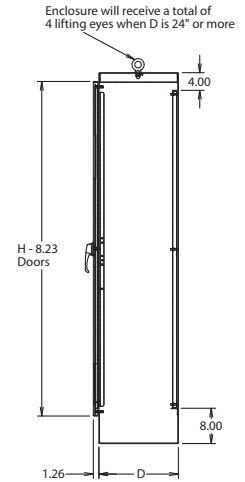
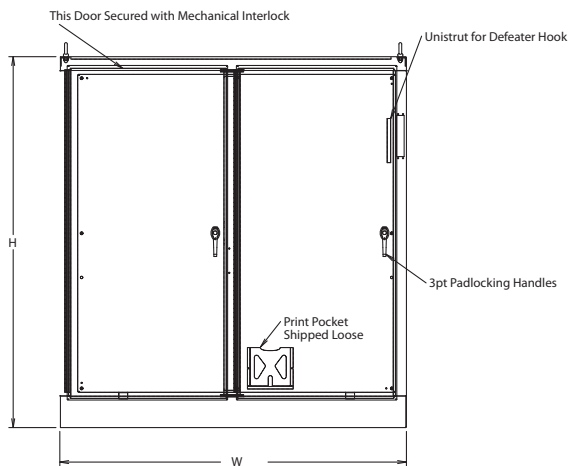
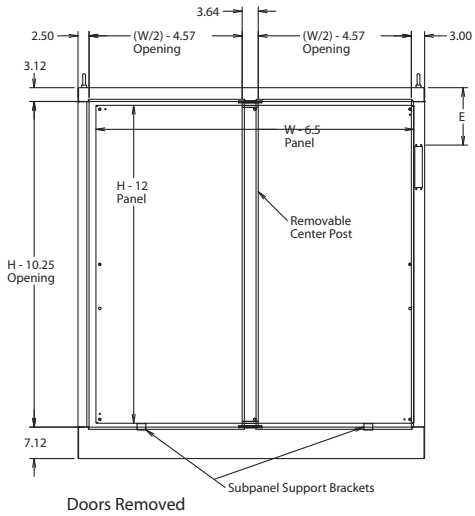


NOTES:

- 9" x 9" print pocket shipped inside enclosure.

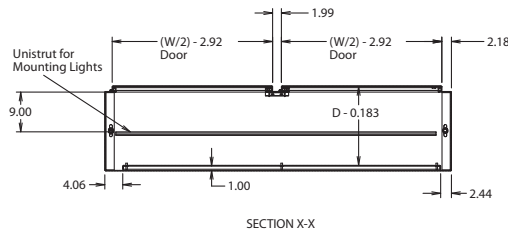


SP Double Door

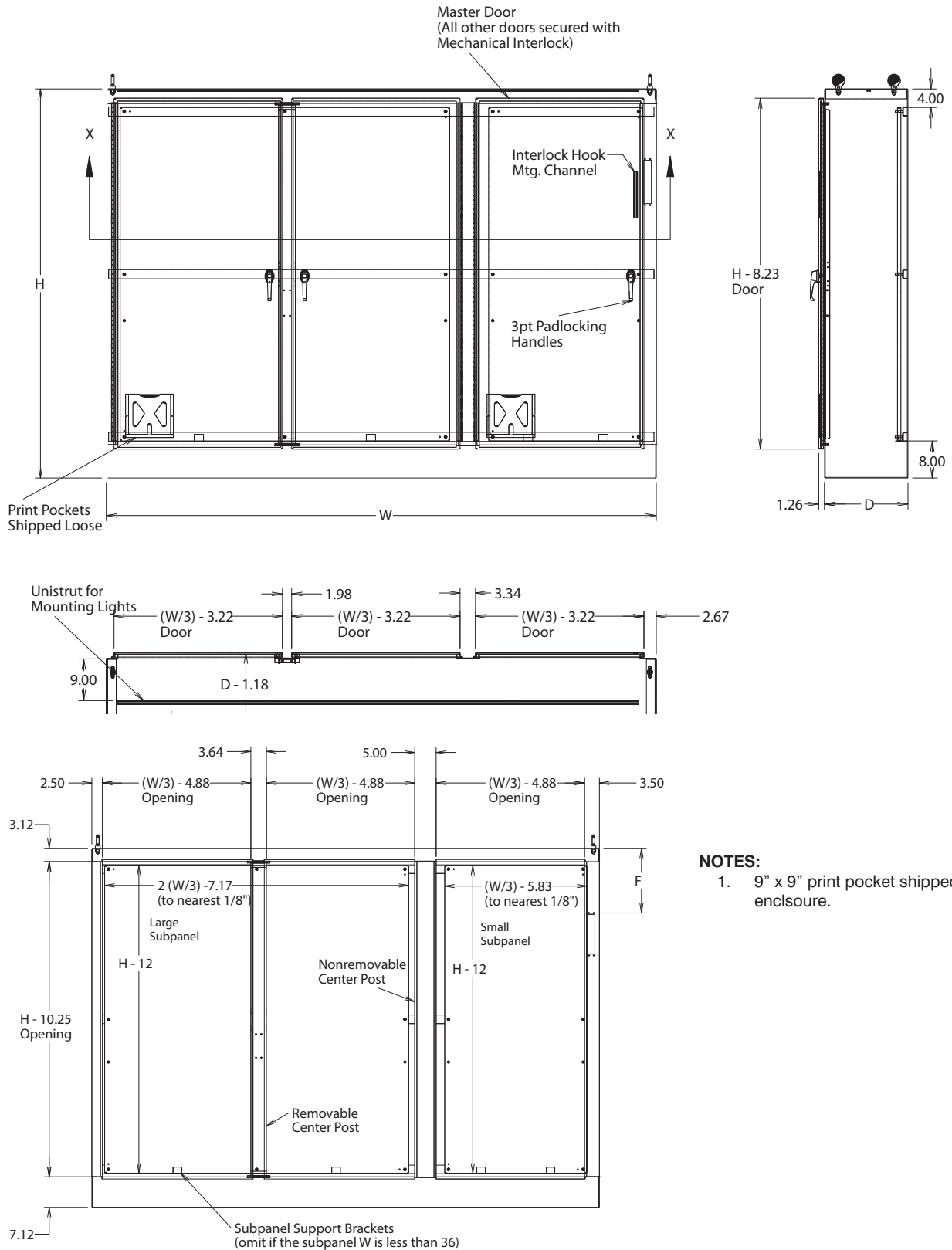


NOTES:

- 9" x 9" print pocket shipped inside enclosure.



SP Three Door



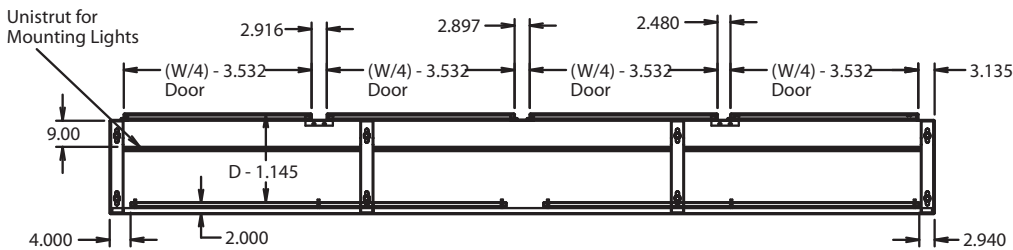
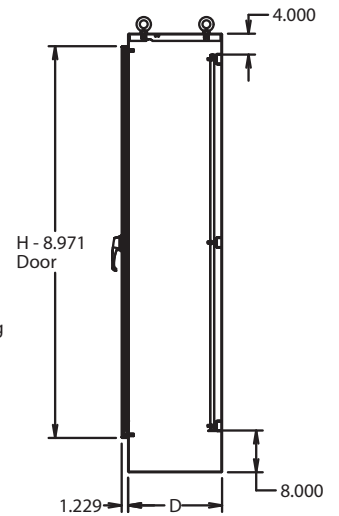
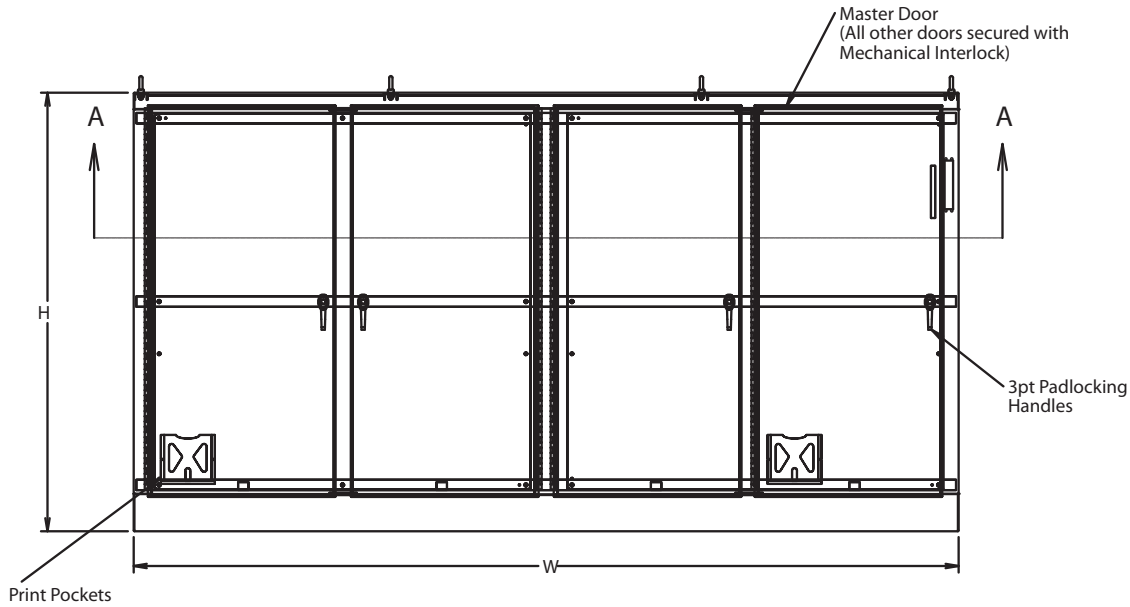
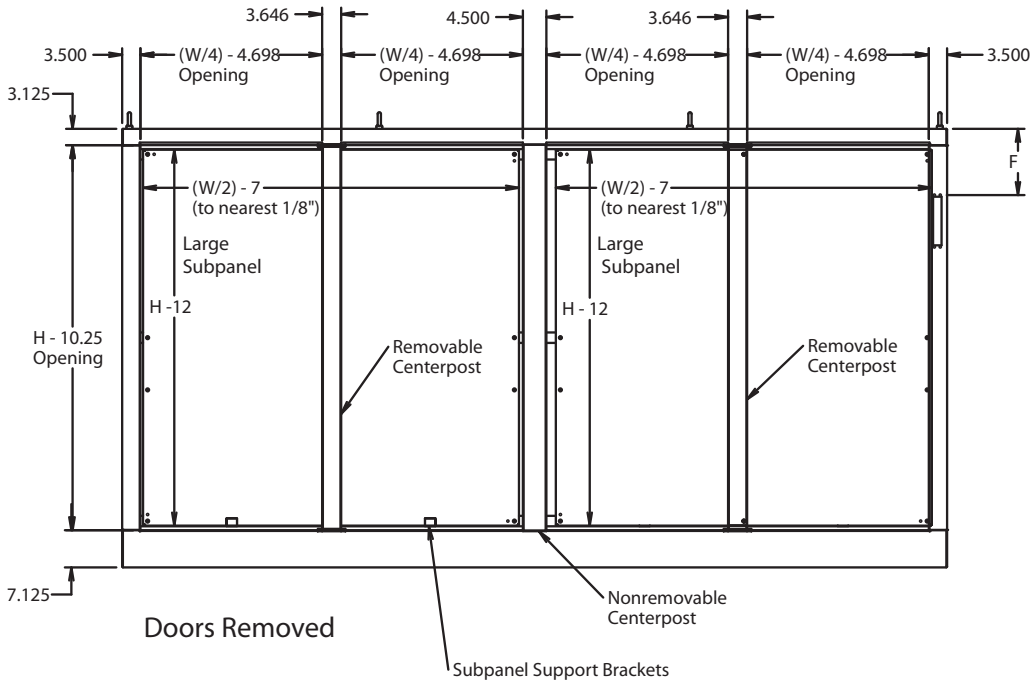
NOTES:

1. 9" x 9" print pocket shipped inside enclosure.

Heavy-Duty Enclosures

Type 12 Free Standing Disconnect with Sub Panel

SP Four Door

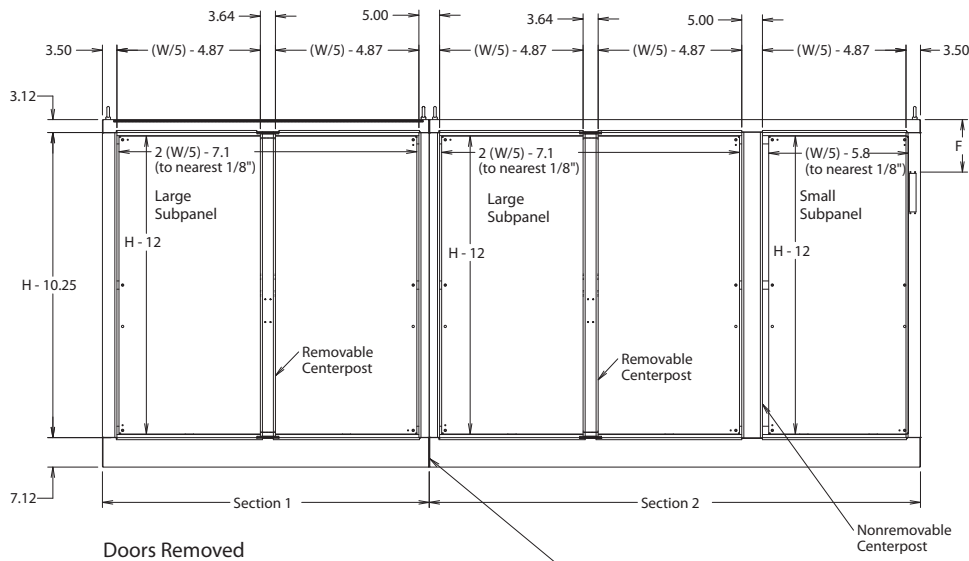


SECTION A-A

NOTES:

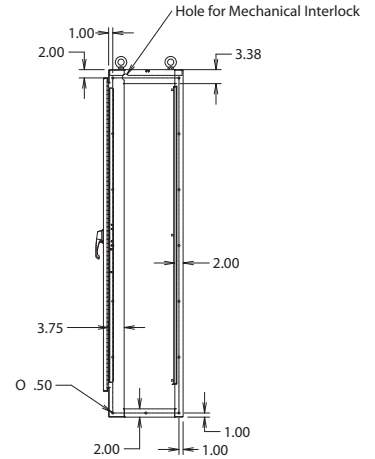
1. 9" x 9" print pocket shipped inside enclosure.

SP Five Door

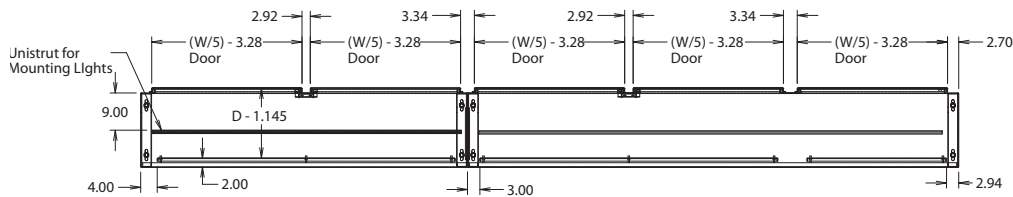
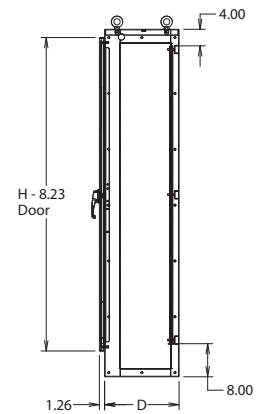
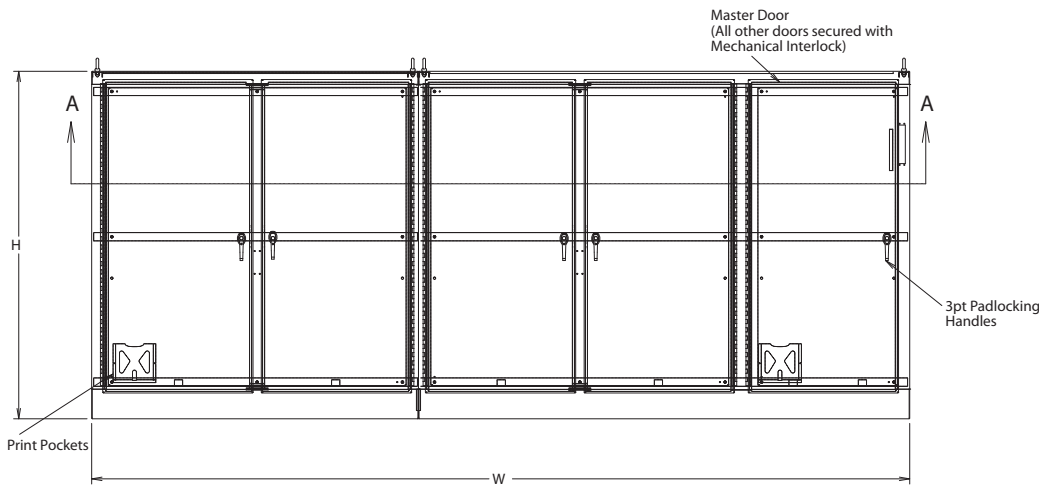


Doors Removed

Enclosure to have two sections bolted together. Sections to be sealed with gasket and secured with 3/8" bolts.



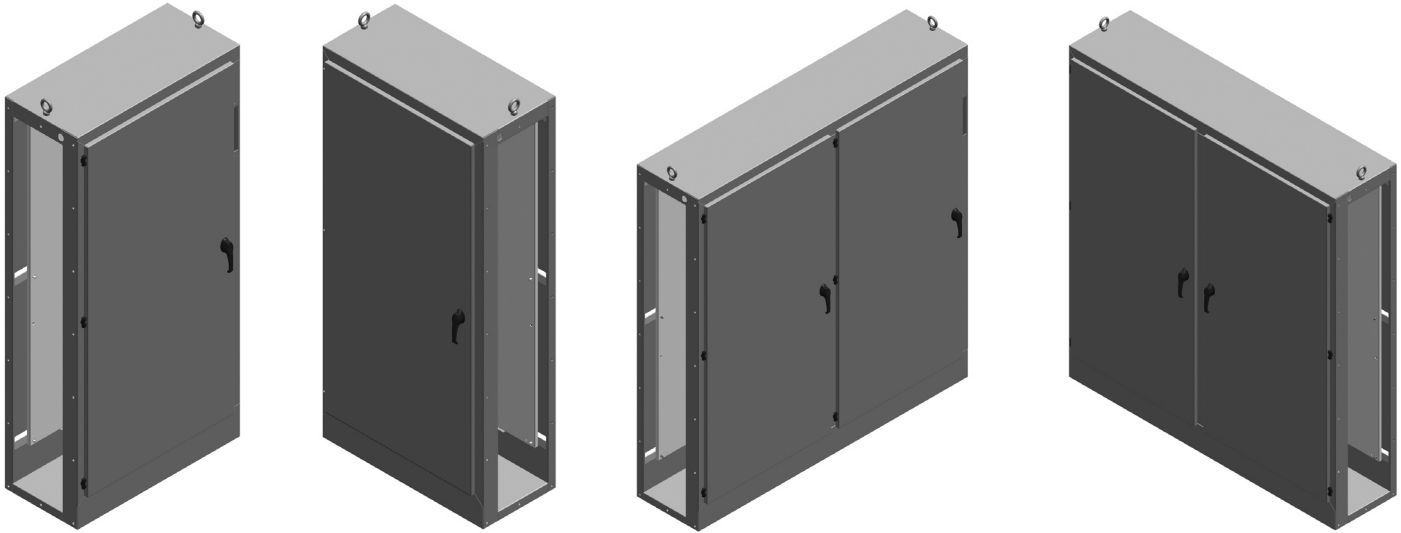
Open end of Section 1



SECTION A-A

NOTES:

1. 5-door will be split into 3-door and 2-door sections to be shipped assembled or separate.
2. 9" x 9" print pocket shipped inside enclosure.



APPLICATIONS - Modular enclosures can be bolted together in any desired arrangement. This design provides maximum versatility; enclosures can be added or removed as required. Modular disconnect enclosures have provisions for flange mount disconnects on right hand side.

CONSTRUCTION - Fabricated from 10 gauge carbon steel with continuously welded seams. Enclosure features:

- Doors secured with heavy gauge lift off hinges.
- Black zinc anodized padlocking handle with built-in defeater mechanism (on the master door only) and three point latching system.
- Each enclosure has a mechanical interlock so all doors can be interlocked with the master door.
- Adhesive backed, oil resistant gasket applied to the doors.
- Removable center post for easy installation of the sub-panel (two door only)
- Print pocket.
- Heavy-duty lifting eyes.
- Ground studs installed inside cabinet and door.
- Collar studs provided for mounting sub panel.
- Panel supports are provided to support panels and aid in panel installation.
- Body stiffeners for extra rigidity where needed.

ACCESSORIES (Sold Separately)

- End Plate: not included with enclosures. See page 126 in accessories section for ordering information. Gasket material and bolts are included with each end plate.
- Flat End Plates: Can be used as barriers between enclosures. See page 126 in accessories section for ordering information.
- Adaptor kits.
- Gasket kit: Required at each joint between modular enclosures. Includes parts needed to connect the interlock system between adjacent enclosures.

SINGLE & TWO DOOR DISCONNECT

-The cutouts for the disconnect operation are located on the right flange and the right side is closed (left side open) so the disconnect operator cannot be obscured by a door.

The heavy-duty overhead mechanical interlocking system is factory tested and provides quick, effective assembly of up to 5 doors in a row, controlled by a single master door. When the master door is opened, the interlock is automatically released, permitting all doors to be opened in any order. All doors can be closed in any order.

FINISH - Standard RAL 7035 texture

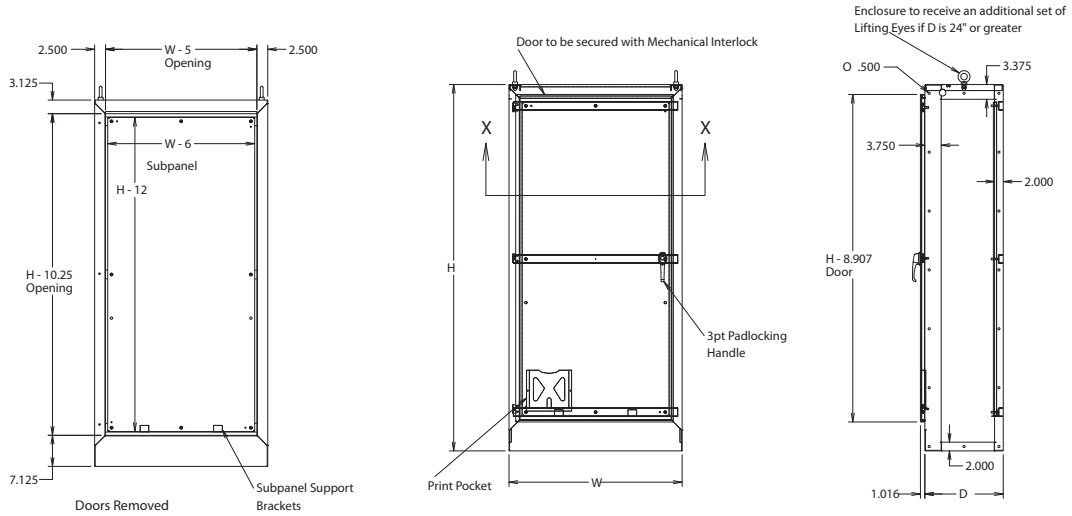
polyester powder coat finish on interior and exterior of enclosures. Recoatable, smooth, white or ANSI-61 gray available at no charge. Standard RAL and custom match finishes available for an additional charge, please contact Schaefer's Electrical Enclosures, Inc. for further assistance. All powder coat finishes applied over cleaned phosphatized surfaces. Carbon steel sub panels have a white polyester powder coat finish.

OPTIONS - Schaefer's Electrical Enclosures, Inc. can modify standard enclosures or custom design enclosures according to your specifications. Holes, cutouts, sizes, materials, and many more options are available. Quotations upon request.

INDUSTRY STANDARDS

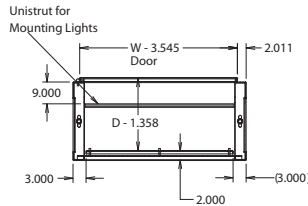
- UL 50 Listed
- CUL 50 Listed
- Type 12

Catalog Number	Enclosure Size H x W x D	Sub Panel Part Number	Panel Dimensions		Door Opening		Door Size	
			A	B	J	K	L	M
SP-MOD843918	84 x 39.75 x 18	SPP-72x33.75	72.00	33.75	73.75	34.75	75.77	36.75
SP-MOD843924	84 x 39.75 x 24	SPP-72x33.75	72.00	33.75	73.75	34.75	75.77	36.75



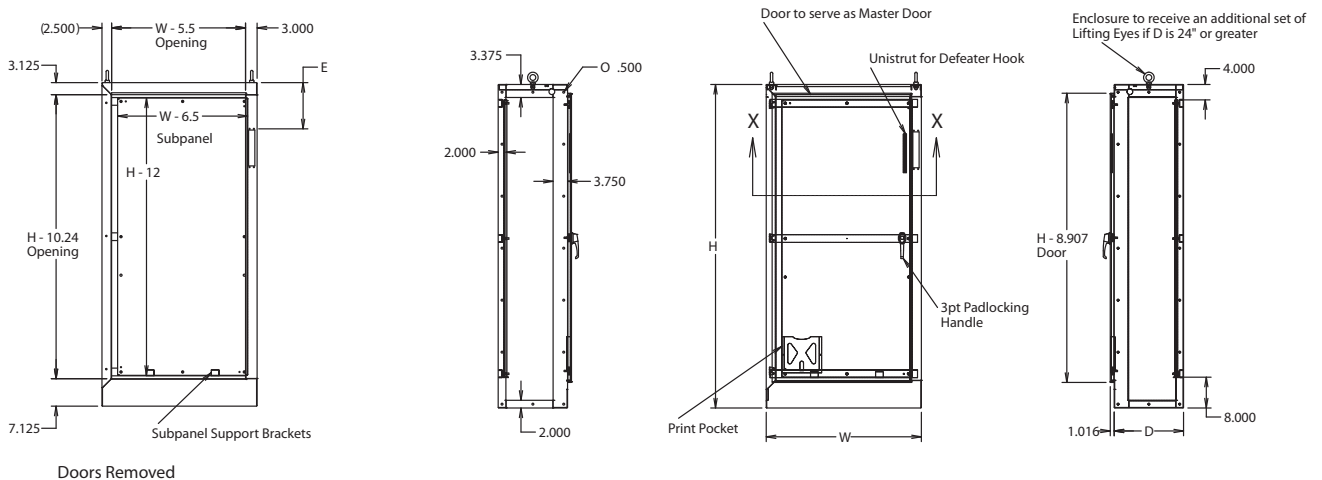
NOTES:

1. Reference page 124 for sub panel layout.
2. Adapter kits must be ordered separately.
3. 9" x 9" print pocket shipped inside enclosure.



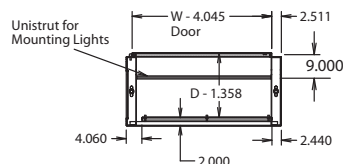
SECTION X-X

Catalog Number	Enclosure Size H x W x D	Sub Panel Part Number	Panel Dimensions		Door Opening		Door Size	
			A	B	J	K	L	M
SP-MOD84X4018	84 x 40.25 x 18	SPP-72x33.75	72.00	33.75	73.75	34.75	75.77	36.75
SP-MOD84X4024	84 x 40.25 x 24	SPP-72x33.75	72.00	33.75	73.75	34.75	75.77	36.75



NOTES:

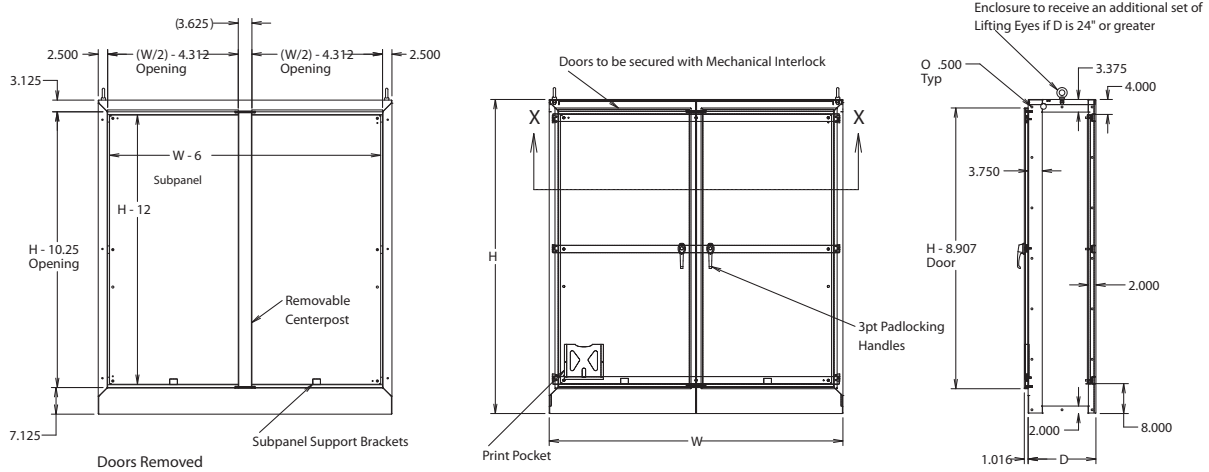
1. Reference page 124 for sub panel layout.
2. Adapter kits must be ordered separately.
3. 9" x 9" print pocket shipped inside enclosure.



SECTION X-X

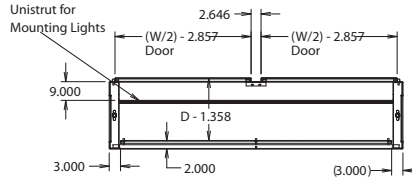
Type 12 Modular Enclosures

Catalog Number	Enclosure Size H x W x D	Sub Panel Part Number	Panel Dimensions		Door Opening		Door Size	
			A	B	J	K	L	M
SP-MOD847718	84.00 x 78.00 x 18.00	SPP-72X72	72.00	72.00	73.75	34.75	75.77	36.7
SP-MOD847724	84.00 x 78.00 x 24.00	SPP-72X72	72.00	72.00	73.75	34.75	75.77	36.7



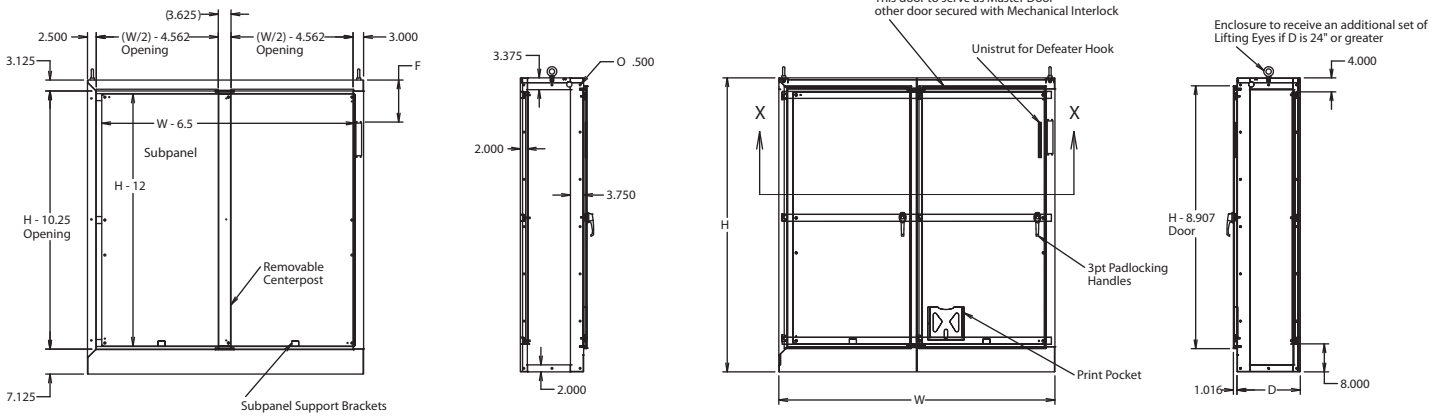
NOTES:

1. Reference page 124 for sub panel layout.
2. Adapter kits must be ordered separately.
3. 9" x 9" print pocket shipped inside enclosure.



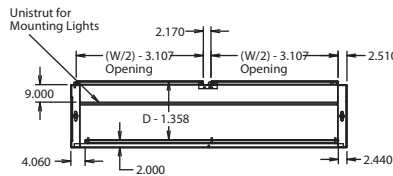
SECTION X-X

Catalog Number	Enclosure Size H x W x D	Sub Panel Part Number	Panel Dimensions		Door Opening		Door Size	
			A	B	J	K	L	M
SP-MOD84X7818	84 x 78.50 x 18	SPP-72X72	72.00	72.00	73.75	34.75	75.77	36.7
SP-MOD84X7824	84 x 78.50 x 24	SPP-72X72	72.00	72.00	73.75	34.75	75.77	36.7



NOTES:

1. Reference page 124 for sub panel layout.
2. Adapter kits must be ordered separately.
3. 9" x 9" print pocket shipped inside enclosure.



SECTION X-X

Space Occupied By Disconnects

See charts on pages 98-104 for "F", "G", and "W" dimensions which cover space occupied by disconnect and wire bend spacing. Disconnects occupy the space indicated by "E", "F" and "G" on disconnect diagrams on the previous page.

All 24.13 [610] deep enclosures include an adjustable size platform which is 6.00 [152] high. The platform is required for mounting the following disconnect devices.

- ABB Controls flange-operated devices
- Cutler Hammer C361 devices
- Cutler Hammer C371 mechanisms which use C371E, F, G, K operating mechanism
- General Electric Type TDA devices
- Square D Class 9422 devices

The platform can be omitted if long connecting rods are ordered.

- For Cutler-Hammer operating mechanisms C371E and C371F order catalog number C371CS1 connecting rod. For C371G and C371K order catalog number C371CS2 connecting rod
- For General Electric devices, order catalog number TDSR extended length drive rod
- For Square D devices, order catalog number 9422-R2 extra long operating rod(s). Some devices require two rods.

Disconnect Ordering Information

When ordering flange-mounted disconnects from the various manufacturers, be sure to order the necessary items. Each company has a different system, so care is required. Order the following items from the disconnect manufacturer.

Key to Symbols

Items available from disconnect manufacturer as complete kits.

Please note:

1. The "Space Occupied/Available Wiring Space" tables on following pages are based upon information supplied by disconnect manufacturers. Schaefer's Electrical Enclosures does not assume responsibility for the accuracy of these dimensions.
2. This information is subject to change without notice. Please contact Schaefer's Electrical Enclosures or the disconnect manufacturer if there are questions.

Allen-Bradley

When using a 1494F flange mounted disconnect switch, order:

1. A disconnect switch
2. A fuse block adapter
3. Line and load connectors, if required

When using a 1494D flange-mounted operator for a circuit breaker, order:

1. A circuit breaker (C-H/Westinghouse)
2. A flange mounted operator mechanism
3. A slide mechanism

When using 1494V disconnect switch, order:

- *1. A disconnect switch
- *2. An operating handle
- *3. A connecting rod (long)
- *4. A trailer fuse block kit, if required
- *5. A fuse clip kit, if required
6. Line and load connectors, if required

When using a 1494V circuit breaker operating mechanism, order:

1. A circuit breaker (C-H/Westinghouse)
2. A circuit breaker operating mechanism
3. An operating handle
4. A connecting rod (long)

ABB Controls

When using a disconnect switch, order:

1. A flange-operated switch (fusible or non-fusible)
2. A shaft (DSFHS-17) for 18.13 [457] deep enclosures (DSFHS-22) for 20.13 [511] deep enclosures in 24.13 [613] deep enclosure a platform must be used with shaft
3. A handle (DSFHN-HS12)

When using a circuit breaker, order:

1. A circuit breaker (ABB)
2. An operating mechanism
3. A shaft (FSH-17) for 18.13 [457] deep or (FSH-22) for 20.13 [511] deep enclosures in 24.13 [613] deep enclosure a platform must be used with shaft
4. A handle (FHN-HS12)

Cutler-Hammer/Westinghouse

When using a Type C361 disconnect switch, order:

- *1. A disconnect switch with an operating mechanism
- *2. An operating handle (C361H1 or C361H3)

When using a Type C371 circuit breaker operating mechanism with a C-H/Westinghouse circuit breaker, order:

1. A circuit breaker
- *2. An operating mechanism
- *3. An operating handle

When using a Type SM handle mechanism, order:

1. A circuit breaker
 2. A Type SM handle mechanism
- When using a C-H/Westinghouse circuit breaker with a Type 4/4X Flex Shaft™ handle mechanism, order:

1. A circuit breaker
2. A complete Flex Shaft™ handle mechanism

General Electric

When using a disconnect switch, order:

1. A disconnect switch (Type QMR or QMW)

2. A fuse clip kit or no-fuse kit
 3. A flange handle (STDA1 or STDA2)
 4. A variable depth operating mechanism
 5. An extended length drive rod, if required
- When using a circuit breaker, order:

1. A circuit breaker
2. A flange handle (STDA1 or STDA2)
3. A variable depth operating mechanism
4. An extended length drive rod, if required

When using a circuit breaker with a Spectra Flex™ cable operator, order:

1. A circuit breaker
2. A flange-mounted handle mechanism
3. A breaker-mounted mechanism
4. An operating cable

I-T-E Siemens

When using a disconnect switch, order:

1. A basic switch (right hand)
2. A fuse or non-fuse kit
- *3. A flange-mounted handle (FHOHS)
- *4. Switch operator
- *5. FHOECO48 cable

When using a circuit breaker, order:

1. A circuit breaker
2. Pressure wire connectors
- *3. A flange-mounted handle
- *4. A circuit breaker operator mechanism
- *5. An operating cable - 36.00 [914] or 48.00 [1219] long cable for 18.13 [460] and 20.13 [511] deep enclosures and 48.00 [1219] cable 24.13 [610] deep enclosures

* These items are available from ITE as a complete mechanism with a 36.00 [914] long cable only. Order items separately when using a 48.00 [1219] operating cable.

Square D

When using a disconnect switch, order:

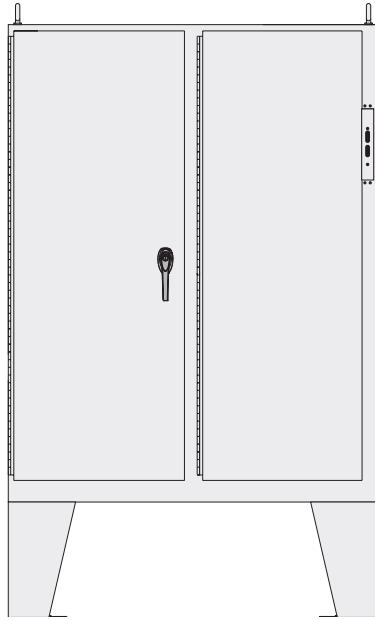
1. A disconnect switch with operating mechanism
 2. A universal handle mechanism
 3. A long operating rod, if required
- When using a circuit breaker, order:

1. A circuit breaker
 2. An operating mechanism
 3. A universal handle mechanism
 4. A long operating rod, if required
- When using a Class 9422 Type "T" disconnect switch with a cable mechanism, order:

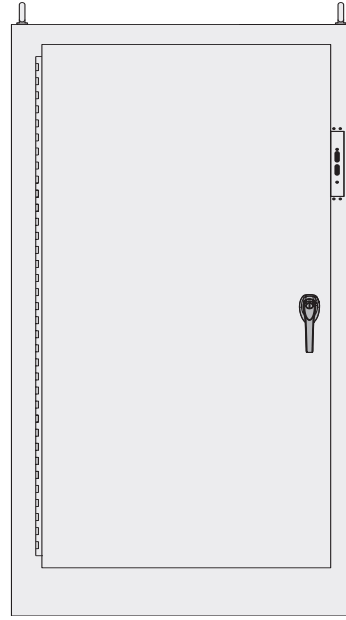
1. A disconnect switch with operating mechanism (Class 9422, Type T)
2. A handle mechanism (Class 9422 Type A-1)
3. A cable mechanism (Class 9422 CFT_O) 3, 5, or 10 foot

When using a circuit breaker with a cable mechanism, order:

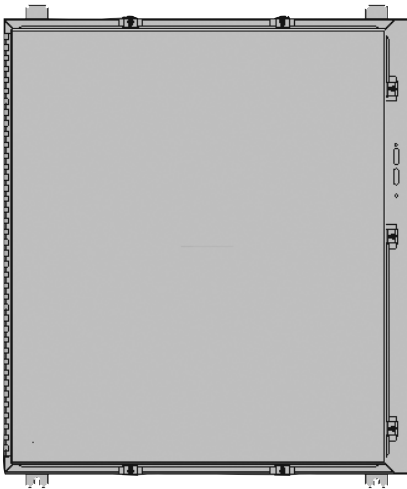
1. A circuit breaker (Square D)
2. A handle mechanism (Class 9422 Type A-1)
3. A cable mechanism (Class 9422 CFT_O) 3-, 5-, or 10-foot



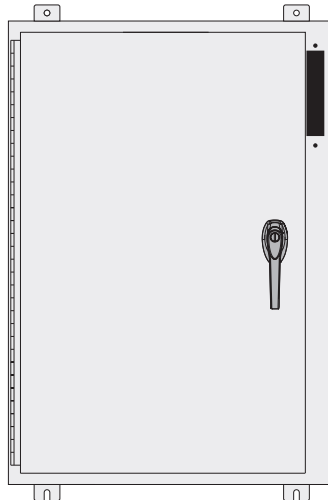
Type 1



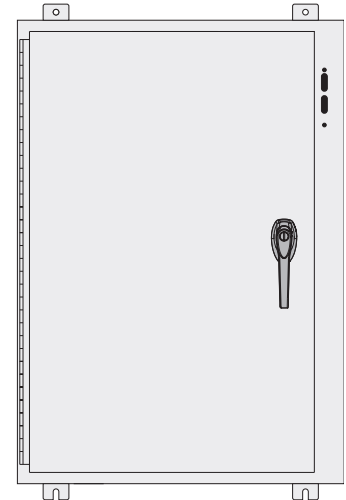
Type 2



Type 3



Type 4



Type 5

Allen-Bradley 1494V Disconnects

Type Number	Amp Rating	Fuse Clip Rating		Fuse Class	Space Occupied		Wire Bend Space	Disconnects Fit The Enclosure Type Indicated Below (Page 98)				
		Amp	Volt		F	G		Z	1	2	3	4
DS30	30A	No Fuse		—	3.88	6.75	E - 1.88	0	0	0	-	0
DS30	30A	30	250	H, K, R	5.25	6.75	E - 1.88	0	0	0	-	0
DS30	30A	30	600	H, K, R	8.00	6.75	E - 1.88	0	0	0	-	0
DS30	30A	30	600	J	5.25	6.75	E - 1.88	0	0	0	-	0
DS30	30A	60	250	H, K	6.00	6.75	E - 1.88	0	0	0	-	0
DS30	30A	60	600	H, K	8.50	6.75	E - 1.88	0	0	0	-	0
DS30	30A	60	600	J	5.38	6.75	E - 1.88	0	0	0	-	0
DS60	60A	No Fuse		—	3.88	6.75	E - 2.00	0	0	0	-	0
DS60	60A	60	250	H, K, R	6.00	6.75	E - 2.00	0	0	0	-	0
DS60	60A	60	600	H, K, R	8.50	6.75	E - 2.00	0	0	0	-	0
DS60	60A	60	600	J	5.38	6.75	E - 2.00	0	0	0	-	0
DS60	60A	30	600	H, K, R	8.00	6.75	E - 2.00	0	0	0	-	0
DS60	60A	100	250	H, K	8.50	6.75	E - 2.00	0	0	0	-	0
DS60	60A	100	600	H, K	10.50	6.75	E - 2.00	0	0	0	-	0
DS60	60A	100	600	J	7.25	6.75	E - 2.00	0	0	0	-	0
DS100	100A	No Fuse		—	3.88	6.75	E - 2.18	0	0	0	-	1
DS100	100A	100	250	H, K, R	8.12	6.75	E - 2.18	0	0	0	-	1
DS100	100A	100	600	H, K, R	10.12	6.75	E - 2.18	0	0	0	-	1
DS100	100A	100	600	J	6.88	6.75	E - 2.18	0	0	0	-	1
DS100	100A	60	600	H, K, R	10.12	6.75	E - 2.18	0	0	0	-	1
DS100	100A	60	600	J	8.88	6.75	E - 2.18	0	0	0	-	1
DS200	200A	No Fuse		—	4.75	7.88	E - 3.50	0	0	1	-	2
DS200	200A	200	250	H, K, R	10.88	7.88	E - 3.50	0	0	0	-	2
DS200	200A	200	600	H, K, R	13.38	7.88	E - 3.50	0	0	0	-	2
DS200	200A	200	600	J	9.50	7.88	E - 3.50	0	0	0	-	2
DS200	200A	100	600	H, K, R	12.00	7.88	E - 3.50	0	0	0	-	2
DS200	200A	100	600	J	8.75	7.88	E - 3.50	0	0	0	-	2
DS400	400A	No Fuse		—	10.75	10.88	E - 6.29	-	4	-	5	3
DS400	400A	400	250	H, K, R	16.12	10.88	E - 6.29	-	4	-	5	3
DS400	400A	400	600	H, K, R	19.12	10.88	E - 6.29	-	4	-	5	3
DS400	400A	400	600	J	14.62	10.88	E - 6.29	-	4	-	5	3
DS600	600A	No Fuse		—	10.75	10.88	E - 6.29	-	4	-	5	3
DS600	600A	600	250	H, R	16.12	10.88	E - 6.29	-	4	-	5	3
DS600	600A	600	600	H, R	19.12	10.88	E - 6.29	-	4	-	5	3
DS600	600A	600	600	J	14.62	10.88	E - 6.29	-	4	-	5	3
M40	15A-150A	GE Circuit Breaker TED, THED, TEC		—	5.62	4.62	E - 0.50	0	0	0	-	0
M40	15A-150A	Westinghouse Circuit Breaker F Frame / Series C		—	5.00	4.62	E - 0.50	0	0	0	-	0
M50	70A-250A	Westinghouse Circuit Breaker J Frame / Series C		—	9.75	4.88	E - 1.00	0	0	1	-	2
M60	100A-400A	Westinghouse Circuit Breaker K Frame / Series C		—	9.69	6.25	E - 1.125	6	0	0	-	2

- 0 Will fit enclosure. No special restrictions
- 1. Do not use in 8.00 inch deep enclosures
- 2. Do not use in 8.00 or 10.00 inch deep enclosures
- 3. Only fits Type 5 Enclosure with a Designator after Depth.
- 4. Only fits enclosures 84.00 and 90.00 inch high with the AB designator at the end of the part number.
- 5. Only fit enclosures 12.00 inches deep
- 8. Do not use in 60" High Enclosures

Allen-Bradley 1494F Disconnects

Type Number	Amp Rating	Fuse Clip Rating		Fuse Class	Space Occupied		Wire Bend Space Z	Disconnects Fit The Enclosure Type Indicated Below (Page 98)				
		Amp	Volt		F	G		1	2	3	4	5
N30	30A	No Fuse		—	4.62	6.38	E - 0.59	0	0	-	0	-
NF30	30A	30	250	H, K, R	6.25	6.38	E - 0.59	0	0	-	0	-
NF30	30A	60	250	H, K, R	7.25	6.38	F - 0.59	0	0	-	0	-
NF30	30A	30	600	H, K, R	9.25	6.38	E - 0.59	0	0	-	0	-
NF30	30A	60	600	H, K, R	9.75	6.38	E - 0.59	0	0	-	0	-
NF30	30A	30	600	J	6.50	6.38	E - 0.59	0	0	-	0	-
NF30	30A	60	600	J	6.62	6.38	E - 0.59	0	0	-	0	-
N60	60A	No Fuse		—	4.62	6.38	E - 1.34	00	0	-	0	-
NF60	60A	30	600	H, K, R	10.38	6.38	E - 1.34	0	0	-	0	-
NF60	60A	60	250	H, K, R	8.38	6.38	E - 1.34	0	0	-	0	-
NF60	60A	100	250	H, K, R	10.88	6.38	E - 1.34	0	0	-	0	-
NF60	60A	60	600	H, K, R	10.88	6.38	E - 1.34	0	0	-	0	-
NF60	60A	100	600	H, K, R	12.88	6.38	E - 1.34	0	0	-	0	-
NF60	60A	60	600	J	7.75	6.38	E - 1.34	0	0	-	0	-
NF60	60A	100	600	J	9.75	6.38	E - 1.34	0	0	-	0	-
N100	100A	No Fuse		—	4.62	7.13	E - 3.12	8	0	-	1	-
NF100	100A	100	250	H, K, R	11.38	7.13	E - 3.12	8	0	-	1	-
NF100	100A	200	250	H, K, R	12.25	7.38	E - 3.12	8	0	-	1	-
NF100	100A	100	600	H, K, R	13.38	7.12	E - 3.12	8	0	-	1	-
NF100	100A	200	600	H, K, R	14.75	7.50	E - 3.12	8	0	-	1	-
NF100	100A	100	600	J	10.12	7.13	E - 3.12	8	0	-	1	-
NF100	100A	200	600	J	10.88	7.38	E - 3.12	8	0	-	1	-
N200	200A	No Fuse		—	7.12	10.13	E - 3.38	8	0	-	7	-
NF200	200A	200	250	H, K, R	15.00	10.13	E - 3.38	8	0	-	7	-
NF200	200A	400	250	H, K, R	18.56	10.50	E - 3.38	8	0	-	7	-
NF200	200A	200	600	H, K, R	17.56	10.13	E - 3.38	8	0	-	7	-
NF200	200A	400	600	H, K, R	19.56	10.75	E - 3.38	8	0	-	7	-
NF200	200A	200	600	J	13.69	10.13	E - 3.38	8	0	-	7	-
NF200	200A	400	600	J	15.00	10.38	E - 3.38	8	0	-	7	-

- 0 Will fit enclosure. No special restrictions
- 1. Do not use in 8" deep enclosures
- 6. Only fit enclosures with the AB designator at the end of the part number
- 7. Only fit enclosures 12.00 inches deep
- 8. Do not use in 60" high enclosures

Allen-Bradley 1494D Circuit Breaker Operators

Type Number	Frame Rating	Breaker Type	Frame Size	Space Occupied		Wire Bend Space Z	Disconnects Fit The Enclosure Type Indicated Below (Page 98)				
				F	G		1	2	3	4	5
N4/N40	150A	Westinghouse	F Frame / Series C	5.81	4.44	E - 0.59	0	0	-	0	-
N4/N40	150A	General Electric	TEC, TED, THED	5.81	4.44	E - 0.59	0	0	-	0	-
N5/N50	225A	General Electric	TFC, TFK, THFK	8.81	4.63	E - 1.41	0	0	-	1	-
N5/N50	250A	Westinghouse	J Frame / Series C	8.81	4.63	E - 1.45	0	0	-	1	-
N5/N60	400A	Westinghouse	K Frame / Series C	8.81	5.75	E - 1.31	8	0	-	1	-

- 0 Will fit enclosure. No special restrictions
- 1. Do not use in 8" deep enclosures
- 6. Only fit enclosures with the AB designator at the end of the part number
- 8. Do not use in 60" high enclosures

Square D Class 9422 Disconnects

Type Number	Amp Rating	Fuse Clip Rating		Fuse Class	Space Occupied		Wire Bend Space Z	Disconnects Fit The Enclosure Type Indicated Below (Page 98)				
		Amp	Volt		F	G		1	2	3	4	5
TCN-30	30A	No Fuse		—	3.80	6.97	E - 1.06	0	0	0	-	0
TCF-30	30A	30	250	H,K,R	5.53	6.97	E - 1.06	0	0	0	-	0
TCF-33	30A	30	600	H,K,R	8.15	6.97	E - 1.06	0	0	0	-	0
TCF-33	30A	60	250	H,K,R	6.15	6.97	E - 1.06	0	0	0	-	0
TCF-33	30A	30	600	J	3.80	6.97	E - 1.06	0	0	0	-	0
TDN-60	60A	No Fuse		—	3.80	6.97	E - 1.06	0	0	0	-	0
TDN-60	60A	30	600	H,K,R	8.15	6.97	E - 1.06	0	0	0	-	0
TDN-60	60A	60	250	H,K,R	6.15	6.97	E - 1.06	0	0	0	-	0
TDN-63	60A	60	600	H,K,R	8.65	6.97	E - 1.06	0	0	0	-	0
TDN-63	60A	60	600	J	5.53	6.97	E - 1.06	0	0	0	-	0
TEN-10	100A	No Fuse		—	3.80	6.97	E - 1.19	0	0	0	-	1
TEF-10	100A	100	250	H,K,R	8.25	6.97	E - 1.19	0	0	0	-	1
TEF-10	100A	100	600	H,K,R	10.25	6.97	E - 1.19	0	0	0	-	1
TEF-13	100A	100	600	J	7.05	6.97	E - 1.19	0	0	0	-	1
TEF-13	100A	200	600	J			E - 1.19	0	0	0	-	1
TC-1	30A	No Fuse		—	5.75	6.13	E - 2	0	0	0	-	0
TC-2	30A	30	250	H,K,R	5.75	6.13	E - 2	0	0	0	-	0
TC-3	30A	30	600	H,K,R	7.75	6.13	E - 2	0	0	0	-	0
TC-3	30A	60	250	H,K,R	5.88	6.13	E - 2	0	0	0	-	0
TC-3	30A	30	600	J	5.75	6.13	E - 2	0	0	0	-	0
TD-1	60A	No Fuse		—	6.38	6.75	E - 1.13	0	0	0	-	0
TD-2	60A	30	600	H,K,R	8.50	6.75	E - 1.13	0	0	0	-	0
TD-2	60A	60	250	H,K,R	6.50	6.75	E - 1.13	0	0	0	-	0
TD-3	60A	60	600	H,K,R	9.00	6.75	E - 1.13	0	0	0	-	0
TD-3	60A	60	600	J	6.38	6.75	E - 1.13	0	0	0	-	0
TE-1	100A	No Fuse		—	4.75	8.50	E - 1.38	0	0	1	-	1
TE-2	100A	100	250	H,K,R	7.50	8.50	E - 1.38	0	0	1	-	1
TE-2	100A	100	600	H,K,R	9.50	8.50	E - 1.38	0	0	1	-	1
TE-2	100A	100	600	J	6.25	8.50	E - 1.38	0	0	1	-	1
TE-3	100A	200	600	J	13.75	8.50	E - 1.38	0	0	1	-	1
TF-1	200A	No Fuse		—	5.50	11.75	E - 2.75	0	0	1	-	2
TF-2	200A	200	250	H,K,R	11.50	11.75	E - 2.75	0	0	1	-	2
TF-2	200A	200	600	H,K,R	14.00	11.75	E - 2.75	0	0	1	-	2
TF-2	200A	200	600	J	10.12	11.75	E - 2.75	0	0	1	-	2
TF-3	200A	400	600	J	14.50	11.75	E - 2.75	0	0	0	-	2
RG-1	75A	GJL		Circuit Breaker	3.53	3.88	E - 1.16	0	0	0	-	0
RG-1	100A	GJL		Circuit Breaker	3.53	3.88	E - 1.16	0	0	0	-	0
RN-1	100A	FAL,FHL		Circuit Breaker	5.12	5.38	E - 1.00	0	0	0	-	0
RP-1	250A	KAL,KHL		Circuit Breaker	7.12	5.75	E - 0.50	0	0	0	-	0
RR-1	400A	LAL,LHL,Q4L		Circuit Breaker	7.62	8.88	E - 4.62	-	0	1	-	2

0 Will fit enclosure. No special restrictions

1. Do not use in 8.00 inch deep enclosures

2. Do not use in 8.00 or 10.00 inch deep enclosures

General Electric Type STDA Operators for Disconnects

Mechanism	Amp Rating	Fuse Clip Rating		Fuse Class	Space Occupied		Wire Bend Space Z	Disconnects Fit The Enclosure Type Indicated Below (Page 98)				
		Amp	Volt		F	G		1	2	3	4	5
TDOM1A	30A	No Fuse		—	7.75	5.25	E + .5	0	0	0	-	0
TDOM1A	30A	30	250	H,R	7.75	5.25	E + .5	0	0	0	-	0
TDOM1B	30A	30	600	H,R	12.38	5.25	E + .5	0	0	0	-	0
TDOM1B	30A	60	250	H,R	12.38	5.25	E + .5	0	0	0	-	0
TDOM1B	30A	60	600	H,R	12.38	5.25	E + .5	0	0	0	-	0
TDOM1A	60A	No Fuse		—	7.75	5.25	E + .5	0	0	0	-	0
TDOM1B	60A	60	250	H,R	12.38	5.25	E + .5	0	0	0	-	0
TDOM1B	60A	60	600	H,R	12.38	5.25	E + .5	0	0	0	-	0
TDOM1B	60A	100	250	H,R	12.38	5.25	E + .5	0	0	0	-	0
TDOM1B	60A	100	600	H,R	12.38	5.25	E + .5	0	0	0	-	0
TDOM1A	100A	No Fuse		—	7.75	5.25	E + .5	0	0	0	-	0
TDOM1B	100A	100	250	H,R	12.38	5.25	E + .5	0	0	0	-	0
TDOM1B	100A	100	600	H,R	12.38	5.25	E + .5	0	0	0	-	0
TDOM1B	100A	200	250	H,R	12.38	5.25	E + .5	0	0	0	-	0
TDOM1B	100A	200	600	H,R	12.38	5.25	E + .5	0	0	0	-	0
TDOM2	200A	No Fuse		—	7.00	9.12	E - 2.12	0	0	0	-	2
TDOM2	200A	200	250	H,R	15.38	9.12	E - 2.12	0	0	0	-	2
TDOM2	200A	200	600	H,R	15.38	9.12	E - 2.12	0	0	0	-	2

General Electric Type STDA Operators for Circuit Breakers

Mechanism	Amp Rating	Frame Type	Space Occupied		Wire Bend Space Z	Disconnects Fit The Enclosure Type Indicated Below (Page 98)				
			F	G		1	2	3	4	5
SDOM1A	150A	TEB, TED, THED	7.75	5.38	E - .64	0	0	0	-	0
SDOM1A	150A	TEC	7.75	5.38	E - .64	0	0	0	-	0
TDOM1B	150A	TB1	12.38	5.38	E - .64	0	0	0	-	0
TDOM1B	150A	TEC, TECL	12.38	5.38	E - .64	0	0	0	-	0
TDOM1C	150A	TEL	7.75	5.38	E - .64	0	0	0	-	0
TDOM1D	150A	THLC1	7.75	5.38	E - .64	0	0	0	-	1
TDOM3	225A	TFJ	10.38	5.88	E - 2.00	0	0	0	-	1
TDOM3	225A	TFK, THFK, TFL	10.38	5.88	E - 2.00	0	0	0	-	1
TDOM4	400A	TJJ, TJK4, THJK4, TJL4V	8.25	9.50	E - 2.00	8	0	0	-	1
TDOM4	600A	TJK6, THJK6, TJ4V, TJL4V	8.25	9.50	E - 2.00	8	0	1	-	1
TDOM5	400A	TB4, TJH6S	14.25	9.50	E - 2.00	8	0	0	-	1
TDOM6	225A	TLB2, THLC2	11.75	9.50	E - 2.50	8	9	9	-	2
TDOM6	400A	TLB4, THLC4	11.75	9.50	E - 2.50	8	9	9	-	2
TDOM6	225A	TLB2, THLC2	11.75	9.50	E - 2.50	9	10	-	-	-
TDOM7	600A	TB6	18.12	9.50	E - 2.50	9	9	-	-	-
TDOM7	800A	TB8	18.12	9.50	E - 2.50	9	9	-	-	-
TDOM7	1200A	TKL12S	18.12	9.50	E - 2.50	9	10	-	-	-

- 0 Will fit enclosure. No special restrictions
- 1. Do not use in 8.00 inch deep enclosures
- 2. Do not use in 8.00 or 10.00 inch deep enclosures.
- 8. Do not use in 60.00 inch high enclosures.
- 9. Do not use in 60.00 or 72.00 inch high enclosures.
- 10. Do not use in 60.00, 72.00, or 84.00 inch high enclosures.

I-T-E Disconnect Switches for Max-Flex™ Operators

Switch	Amp Rating	Fuse Clip Rating		Fuse Class	Space Occupied		Disconnects Fit The Enclosure Type Indicated Below (Page 98)				
		Amp	Volt		F	G	1	2	3	4	5
MCS603R	30A	No Fuse		—	5.52	6.13	0	0	0	-	0
MCS603R	30A	30	250	H,K,R	8.11	6.13	0	0	0	-	0
MCS603R	30A	30	600	H,K,R	10.11	6.13	0	0	0	-	0
MCS603R	30A	30	600	J	8.48	6.13	0	0	0	-	0
MCS606R	60A	No Fuse		—	5.52	6.13	0	0	0	-	0
MCS606R	60A	60	250	H,K,R	7.86	6.13	0	0	0	-	0
MCS606R	60A	60	600	H,K,R	10.38	6.13	0	0	0	-	0
MCS606R	60A	60	600	J	8.36	6.13	0	0	0	-	0
MCS610R	100A	No Fuse		—	7.59	7.38	0	0	0	-	0
MCS610R	100A	100	250	H,K,R	11.85	7.38	0	0	0	-	0
MCS610R	100A	100	600	H,K,R	13.85	7.38	0	0	0	-	0
MCS610R	100A	100	600	J	10.60	7.38	0	0	0	-	0
MCS620R	200A	No Fuse		—	9.02	9.17	0	0	0	-	0
MCS620R	200A	200	250	H,K,R	14.70	9.17	0	0	0	-	0
MCS620R	200A	200	600	H,K,R	17.20	9.17	0	0	0	-	0
MCS620R	200A	200	600	J	13.32	9.17	0	0	0	-	0

0 Will fit enclosure. No special restrictions

I-T-E Circuit Breakers with Max-Flex™ Operators

Complete Operator Mechanism	Circuit Breaker Frame	Max Amp Rating	Circuit Breaker		Circuit Breaker Type	Disconnects Fit The Enclosure Type Indicated Below (Page 98)				
			Height	Width		1	2	3	4	5
FHOE036	ED	125A	6.34	3.00	ED2,ED4,ED6,HED4,HED6	0	0	0	-	0
FHOE36	CED	125A	9.58	3.00	CED6	0	0	0	-	0
FHOF036	FD	250A	9.50	4.50	FXD6-A,FD6-A,HFD6,FXD6-ETJ,HHFD6,HHFXD6	0	0	0	-	0
FHOJ036	CFD	250A	14.25	4.50	CFD6,CFD6-ETI	0	0	0	-	0
FHOJ036	JD	400A	11.00	7.50	JXD2,JXD6,JD6,HJD6,HHJD6,HHJXD6,JXD6-ETI	0	0	0	-	0
FHOJ036	CJD	400A	17.86	7.50	CJD6,CJD6-ETI	0	0	0	-	0
FHOJ036	LD	600A	11.00	7.50	LXD6,LD6,HLD6,HHLD6,HHLDX6,LXD6-ETI	0	0	0	-	0
FHOJ036	CLD	600A	17.86	7.50	CLD6,CLD6-ETI	0	0	0	-	0
FHOLM036	LMD	800A	16.00	9.00	LMD6,LMXD6,HLMD6,HLMXD6,LMXD6-ETI	0	0	0	-	0
FHON048	MD	800A	24.00	9.00	MD6,MXD6,HMD6,HMXD6,CMD6,MXD6-ETI,CMD6-ETI	-	4	-	5	3
FHON048	ND	1200A	24.00	9.00	ND6,NXD6,HND6,HNXD6,CND6	-	4	-	5	3

0 Will fit enclosure. No special restrictions

3. Only fits Type 5 Enclosures with a Designator after Depth.

4. Only fit enclosures 84.00 and 90.00 inch high with the AB designator at the end of the part number

5. Only fit enclosures 12.00 inches deep

ABB Controls Disconnect Switches with Flange Mounted Operators

Switch Number	Amp Rating	Fuse Clip Rating		Fuse Class	Space Occupied		Wire Bend Space Z	Disconnects Fit The Enclosure Type Indicated Below (Page 98)				
		Amp	Volt		F	G		1	2	3	4	5
OETL-NF30-F	40A	No Fuse		—	4.45	3.91	E + 1.68	0	0	0	-	0
OETL-NF60-F	80A	No Fuse		—	4.86	3.91	E + 1.47	0	0	0	-	0
OETL-NF100-F	100A	No Fuse		—	4.86	4.91	E + 0.91	0	0	0	-	0
OETL-NF175-F	175A	No Fuse		—	7.30	6.62	E - 1.34	0	0	0	-	1
OETL-NF200-F	200A	No Fuse		—	7.36	7.41	E + 1.34	0	0	0	-	1
OESA-F30J6-F	30A	30	600	J	4.28	6.71	E = Z	0	0	0	-	0
OESA-F60J6-F	50A	60	600	J	4.28	6.38	E = Z	0	0	0	-	0
OESA-F100J6-F	100A	100	600	J	6.54	7.78	E - 0.45	0	0	0	-	0

0 Will fit enclosure. No special restrictions

1. Do not use in 8.00 inch deep enclosures

ABB Controls Circuit Breakers with Flange Mounted Operators

Mechanism	Amp Rating	Frame Type	Space Occupied		Wire Bend Space Z	Disconnects Fit The Enclosure Type Indicated Below (Page 98)				
			F	G		1	2	3	4	5
FHD-M	150A	D	6.92	3.94	E + 0.54	0	0	0	-	0
FHF-M	150A-225A	E/Q	5.98	4.23	E - 0.91	8	0	1	-	2
FHF-M	225A	F	7.44	4.23	E - 0.91	0	0	0	-	0
FHJ-M	400A	J	9.71	5.62	E - 2.85	8	0	1	-	2
FHM-M	600A	L	8.28	11.26	E - 2.85	-	0	0	-	2
FHM-M	800A	M	10.11	11.26	E - 3.75	-	9	-	-	-

- 0 Will fit enclosure. No special restrictions
- 2. Do not use with 8.00 or 10.00 inch deep enclosures
- 8. Do not use in 60.00 inch high enclosures
- 9. Do not use in 60.00 or 72.00 inch high enclosures

Cutler-Hammer C361 Disconnect Switches

Switch Number	Type Number	Amp Rating	Fuse Clip Rating		Fuse Class	Space Occupied		Wire Bend Space Z	Disconnects Fit The Enclosure Type Indicated Below (Page 98)				
			Amp	Volt		F	G		1	2	3	4	5
C361	NC	30A	No Fuse		—	5.75	7.64	E - 1.31	0	0	0	-	0
C361	SC21	30A	30	250	H,K,R	8.38	7.64	E - 1.31	0	0	0	-	0
C361	SC61	30A	60	250	H,K,R	8.38	7.64	E - 1.31	0	0	0	-	0
C361	SC61	30A	30	600	H,J,K,R	8.38	7.64	E - 1.31	0	0	0	-	0
C361	ND	60A	No Fuse		—	5.75	7.64	E - 1.31	0	0	0	-	0
C361	SD22	60A	60	250	H,K,R	8.38	7.64	E - 1.31	0	0	0	-	0
C361	SD22	60A	30	600	J	8.38	7.64	E - 1.31	0	0	0	-	0
C361	SD62	60A	60	600	H,K,R	8.38	7.64	E - 1.31	0	0	0	-	0
C361	SD62	60A	60	600	J	8.38	7.64	E - 1.31	0	0	0	-	0
C361	NE	100A	No Fuse		—	5.56	9.13	E - 1.75	0	0	0	-	0
C361	SE263	100A	100	250	H,K,R	10.31	9.13	E - 1.75	0	0	0	-	0
C361	SE263	100A	100	600	H,K,R	10.31	9.13	E - 1.75	0	0	0	-	0
C361	SE263	100A	100	600	J	10.31	9.13	E - 1.75	0	0	0	-	0
C361	NF	200A	No Fuse		—	13.06	10.13	E - 3.68	0	0	0	-	2
C361	SF264	200A	200	250	H,K,R	13.06	10.13	E - 3.68	0	0	0	-	2
C361	SF264	200A	200	600	H,J,K,R	13.06	10.13	E - 3.68	0	0	0	-	2

Cutler-Hammer C371 Circuit Breaker Operators for C-H / Westinghouse Circuit Breakers

Mechanism	Max Amp Rating	Frame Type	Space Occupied		Wire Bend Space Z	Disconnects Fit The Enclosure Type Indicated Below (Page 98)				
			F	G		1	2	3	4	5
C371E	225A	F Frame:EHD,FDB,FD,HFD,FDC	6.00	5.63	E - 0.31	0	0	0	-	0
C371E	150A	F-Frame:HMCP	6.00	5.63	E - 0.31	0	0	0	-	0
C371F	250A	J Frame:JDB,JD,HJD,JDC	10.94	8.13	E - 0.37	0	0	1	-	1
C371F	250A	J Frame:HMCP	8.94	8.13	E - 0.37	0	0	1	-	1
C371F	400A	K Frame:DK,KDB,KD,HKD	9.75	8.13	E - 0.87	8	0	1	-	2
C371F	400A	K Frame:HMCP	9.75	8.13	E - 0.87	8	0	1	-	2
C371G	600A	L Frame:LD,HLD,LDC	8.44	12.00	E - 2.44	9	0	1	-	2
C371G	600A	L Frame:HMCP	8.44	12.00	E - 2.44	9	0	1	-	2

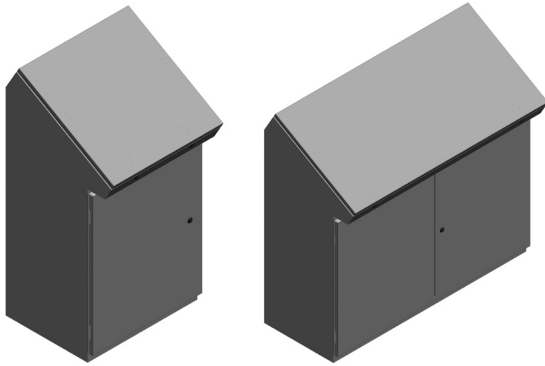
Cutler-Hammer Flex Shaft™ Operator Mechanisms for C-H / Westinghouse Circuit Breakers

Complete Operator Mechanism	Amp Rating	Frame Type	Breaker Height	Breaker Width	Disconnects Fit The Enclosure Type Indicated Below (Page 98)				
					1	2	3	4	5
F1S03	225A	F-Frame/EHD, FDB, FD, HFD, FDC	6.00	4.12	0	0	-	-	-
F1S03	150A	F-Frame HMCP	6.00	4.12	0	0	-	-	-
F2S03	250A	J-Frame/JDB,JD,HJD,JDC	10.00	4.12	8	0	-	-	-
F2S03	250A	J-Frame HMCP	10.00	4.12	8	0	-	-	-
F3S03	400A	K-Frame/DK,KDB,KD,HKD	10.12	5.50	8	0	-	-	-
F3S03	400A	K-Frame HMCP	12.45	5.50	8	0	-	-	-
F4S04	600A	L-Frame/LD,HLD,LDC	10.75	8.25	-	9	-	-	-
F4S04	600A	L-Frame HMCP	12.50	8.25	-	9	-	-	-
F7S04	800A	M Frame/MD,MDS	16.00	8.25	-	9	-	-	-

- 0 Will fit enclosure. No special restrictions
- 1. Do not use in 8.00 inch deep enclosures
- 2. Do not use with 8.00 or 10.00 inch deep enclosures
- 8. Do not use in 60.00 inch high enclosures
- 9. Do not use in 60.00 or 72.00 inch high enclosures

Data subject to change without notice

4680 Nash Road, Scott City, MO 63780
 866-nema-box • 573-722-5591 • FAX: 573-722-5489
www.electrical-enclosures.com



APPLICATIONS - Designed to house electrical controls, instruments, and components. Pushbutton, pilot lights, meters, switches, etc., can be mounted on the sloping control panel or on the instrument panel.

CONSTRUCTION - Fabricated from 14 gauge carbon steel with continuously welded seams. Enclosure features:

- Doors and exterior panels have oil resistant gaskets and are secured by three point latches
- Door surfaces are flush with the front to the body
- Door is secured with removable hinge pin and quarter turn latches - *Standard quarter turn latches can be replaced with a variety of optional latches*
- Each console has a large sloping control panel hinged along the top and secured along the bottom edge with slotted 1/4 turn latches
- Stops are provided to hold the control panel open
- Collar studs provided for mounting optional sub panels.

FINISH - Standard RAL 7035 texture polyester powder coat finish on interior and exterior of enclosures. Recoatable, smooth, white or ANSI-61 gray available at no charge. Standard RAL and custom match finishes available for an additional charge, please contact Schaefer's Electrical Enclosures, Inc. for further assistance. All powder coat finishes applied over cleaned phosphatized surfaces. Carbon steel sub panels have a white polyester powder coat finish.

OPTIONS - Schaefer's Electrical Enclosures, Inc. can modify standard enclosures or custom design enclosures according to your specifications. Holes, cutouts, sizes, materials, and many more options are available. Quotations upon request.

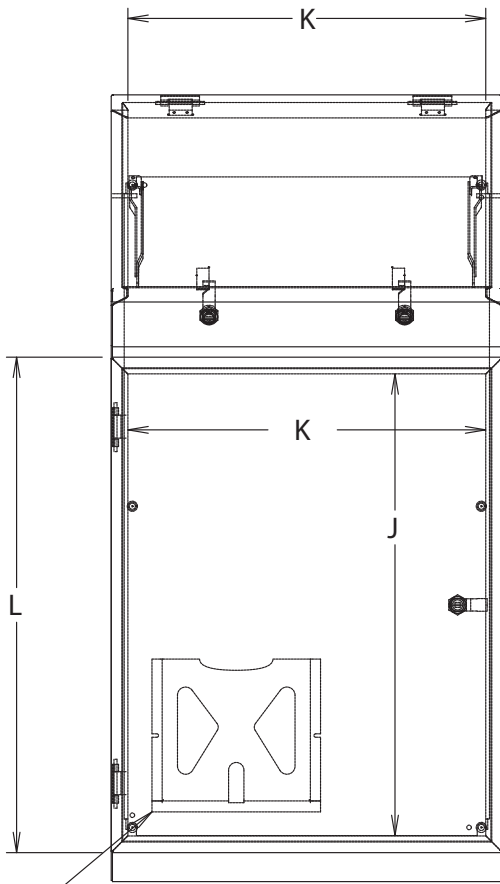
Catalog Number	Description	Enclosure Size H x W x D	Shpg. Wt.	J	K	L	M	N	P
ES-FC382416	CONSOLE BODY	38 x 24 x 15	85	22.94	21.88	25.06	30.17	17.60	20.00
ES-P3624	INTERIOR SUBPANEL	34.2 x 22.2	24	-	-	-	-	-	-
ES-FC383616	CONSOLE BODY	38 x 36 x 15	114	22.94	33.88	25.06	30.19	17.60	20.00
ES-P3636	INTERIOR SUBPANEL	34.2 x 34.2	35	-	-	-	-	-	-
ES-FC482423	CONSOLE BODY	48 x 24 x 18	125	27.16	21.88	29.25	33.88	24.06	26.47
ES-P4224	INTERIOR SUBPANEL	40.2 x 22.2	29	-	-	-	-	-	-
ES-FC483623	CONSOLE BODY	48 x 36 x 18	163	27.16	33.88	29.25	33.88	24.06	26.47
ES-P4236	INTERIOR SUBPANEL	40.2 x 34.2	43	-	-	-	-	-	-
DOUBLE DOOR									
ES-FCD384816	CONSOLE BODY	38 x 48 x 15	143	22.94	45.88	25.06	30.19	17.60	20.00
ES-P3648	INTERIOR SUBPANEL	34.2 x 46.2	50	-	-	-	-	-	-
ES-FCD386016	CONSOLE BODY	38 x 60 x 15	171	22.94	57.88	25.06	30.19	17.60	20.00
ES-P3660	INTERIOR SUBPANEL	34.2 x 58.2	58	-	-	-	-	-	-
ES-FCD484823	CONSOLE BODY	48 x 48 x 18	201	27.16	45.88	29.25	33.88	24.06	26.47
ES-P4248	INTERIOR SUBPANEL	40.2 x 46.2	54	-	-	-	-	-	-
ES-FCD486018	CONSOLE BODY	48 x 60 x 18	239	27.16	57.88	29.25	33.88	24.06	26.47
ES-P4260	INTERIOR SUBPANEL	40.2 x 58.2	52	-	-	-	-	-	-

NOTE: Reference page 122 for sub panel layout

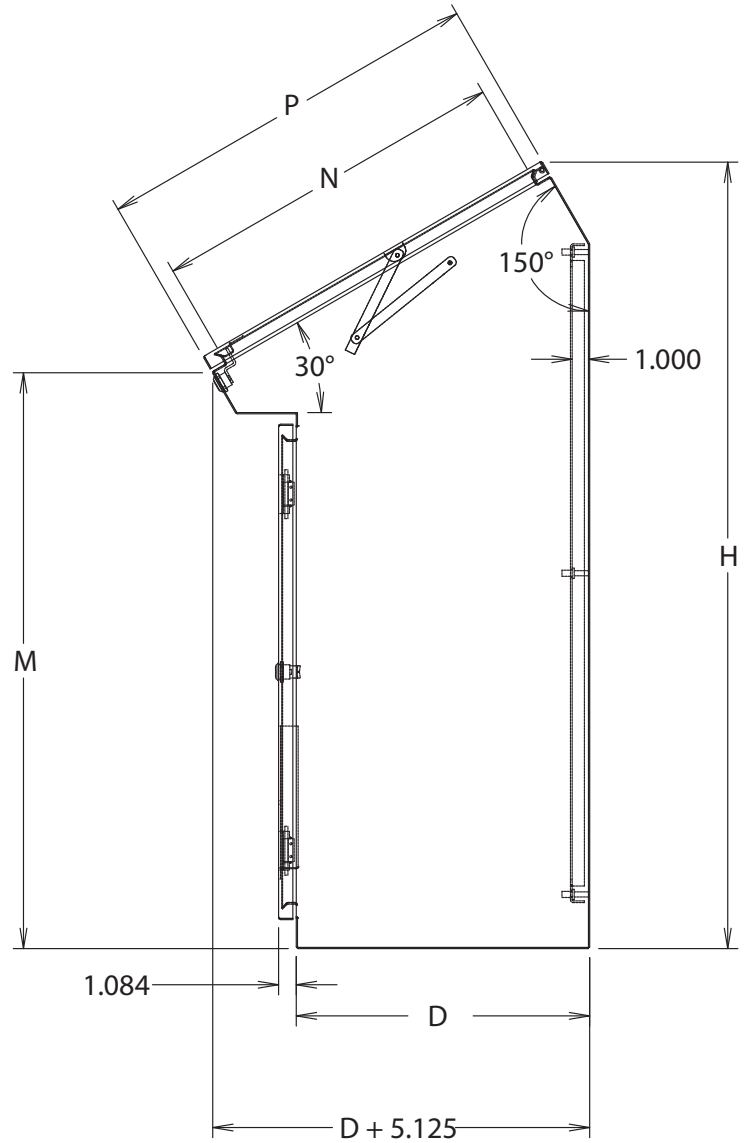
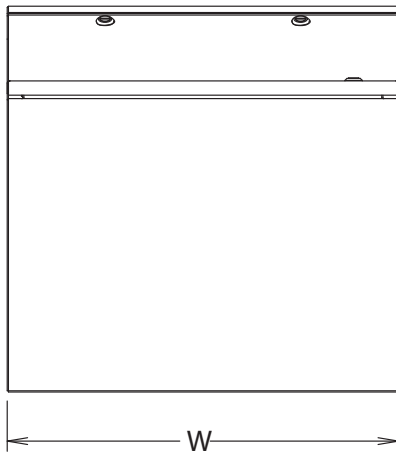
Consoles

Type 12 Single Door & Two Door

ES-FC



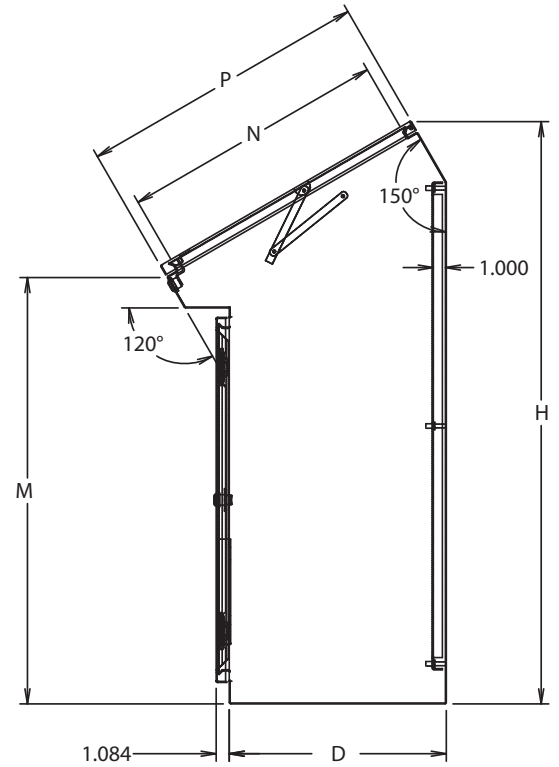
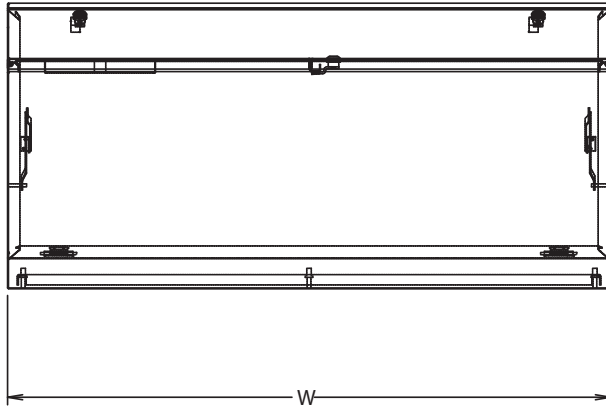
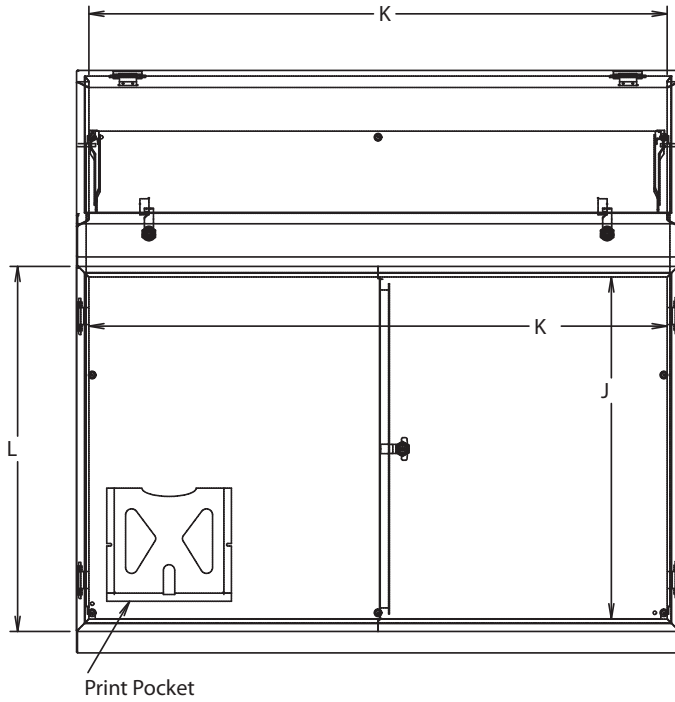
Print Pocket



NOTE:

1. 9" x 9" Print Pocket shipped inside enclosure.
2. Panels have formed flanges on all four sides when either Height or Width is equal to or greater than 22.2".

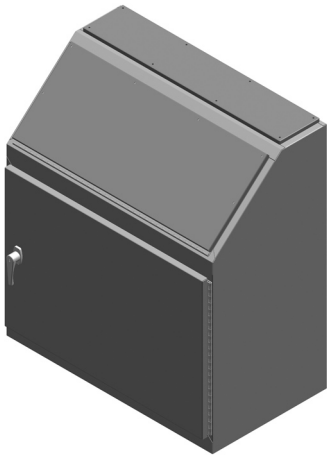
ES-FCD Two Door



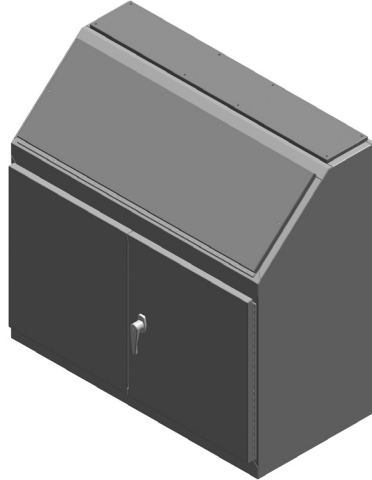
NOTE:
9" x 9" Print Pocket shipped inside enclosure.

Consoles

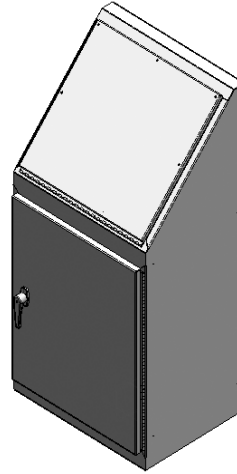
Series 1 and Series 9 Consoles



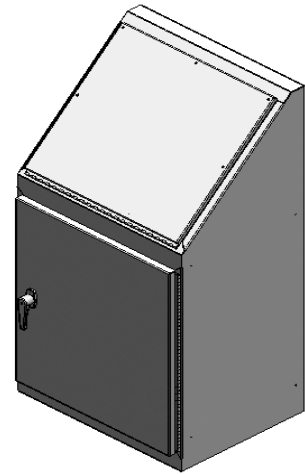
SP1 Single Door



SP1 Double Door



SP9 Single Door



APPLICATIONS - Designed to house electrical controls, instruments, and components. Pushbuttons, pilot lights, meters, switches, etc. can be mounted on the sloping control panel or on the instrument panel.

CONSTRUCTION - Fabricated from 14 gauge carbon steel with continuously welded seams. Enclosures feature:

- Doors and exterior panels have oil resistant gaskets and are secured by Three point latches with key locking handles.
- The 24" and 36" consoles have a single door on the front. The door surfaces are flush with the front to the body.

- Each console has a large sloping control panel hinged along the bottom edge and secured with captivated panel screws thread into sealed wells for a good secure fit.
- Stops are provided to hold the control panel open.
- Collar studs provided for mounting optional sub panels.

FINISH - Standard RAL 7035 texture polyester powder coat finish on interior and exterior of enclosures. Recoatable, smooth, white or ANSI-61 gray available at no charge. Standard RAL and custom match finishes available for an additional charge, please contact Schaefer's Electrical Enclosures, Inc. for further assistance. All powder coat finishes applied over

cleaned phosphatized surfaces. Carbon steel sub panels have a white polyester powder coat finish.

OPTIONS - Schaefer's Electrical Enclosures, Inc. can modify standard enclosures or custom design enclosures according to your specifications. Holes, cutouts, sizes, materials, and many more options are available. Quotations upon request.

INDUSTRY STANDARDS

- UL 50 Listed
- CUL 50 Listed
- Type 12

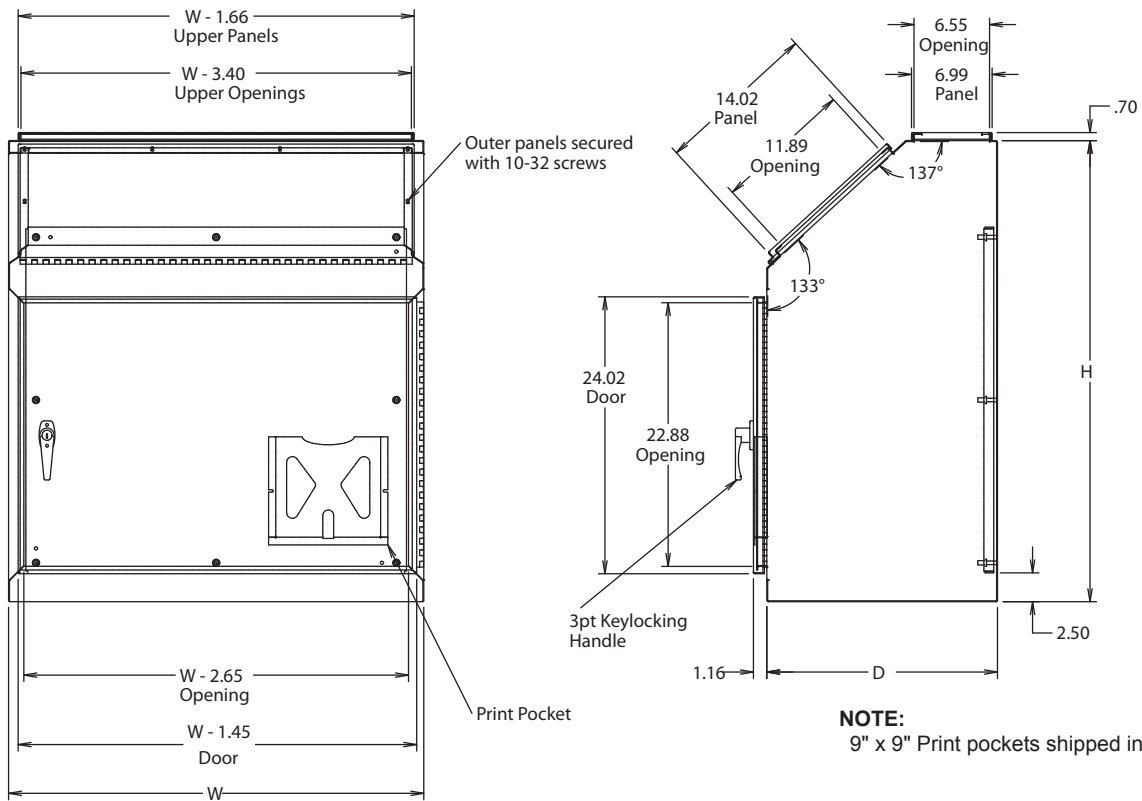
Catalog Number	Description	Enclosure Size H x W x D (inches)	Shpg. Wt.
SP1-C18	CONSOLE BODY	40 x 18 x 20	100
SPP-30X15	INTERIOR SUBPANEL	30 x 15	12
SP1-C24	CONSOLE BODY	40 x 24 x 20	115
SPP-30X21	INTERIOR SUBPANEL	30 x 21	17
SP1-C30	CONSOLE BODY	40 x 30 x 20	140
SPP-30X27	INTERIOR SUBPANEL	30 x 27	21
SP1-C36	CONSOLE BODY	40 x 36 x 20	165
SPP-30X33	INTERIOR SUBPANEL	30 x 33	26
SP1-C42*	CONSOLE BODY	40 x 42 x 20	210
SPP-30X39	INTERIOR SUBPANEL	30 x 39	31
SP1-C48*	CONSOLE BODY	40 x 48 x 20	235
SPP-30X45	INTERIOR SUBPANEL	30 x 45	36

NOTE: Reference page 122 for sub panel layout.
*Double Door Enclosures.

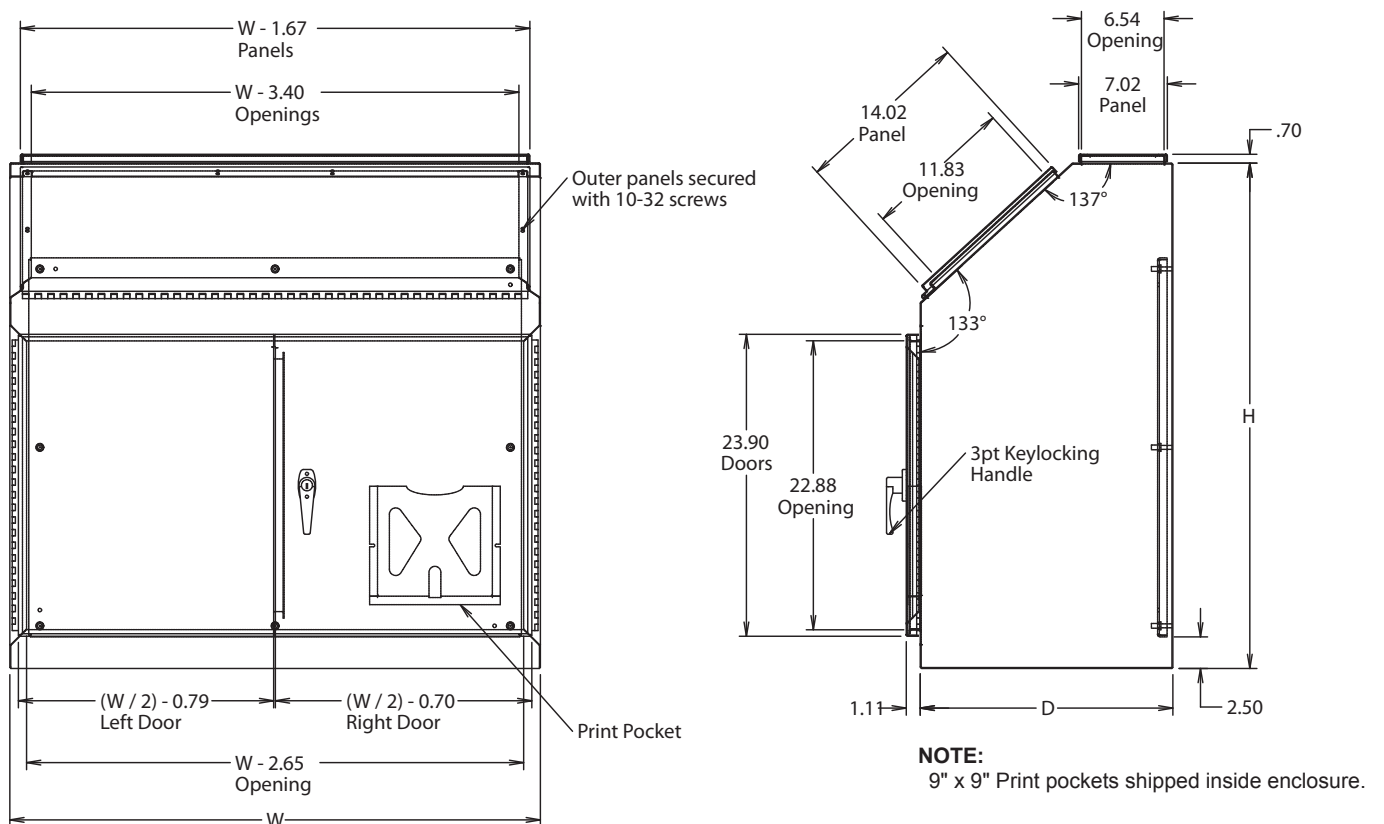
Catalog Number	Description	Enclosure Size H x W x D (inches)	Shpg. Wt.
SP-924B	Console Body	48 x 24 x 18	150
SPP-3020	Interior Subpanel	27 x 17	16
SP-936B	Console Body	48 x 36 x 18	186
SPP-3030	Interior Subpanel	27 x 27	24
SPP-3020	Interior Side Subpanel	27 x 17	16

NOTE: Reference page 122 for sub panel layout.

SP1 Single Door



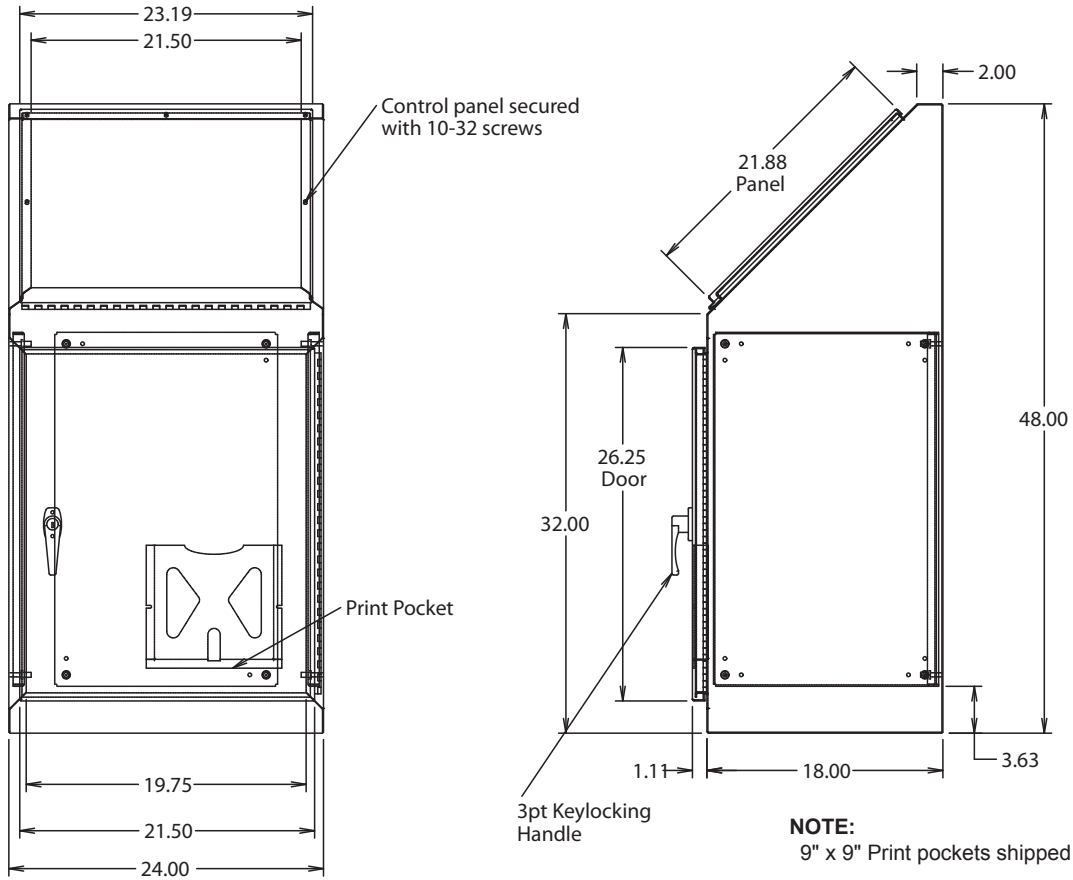
SP-1 Double Door



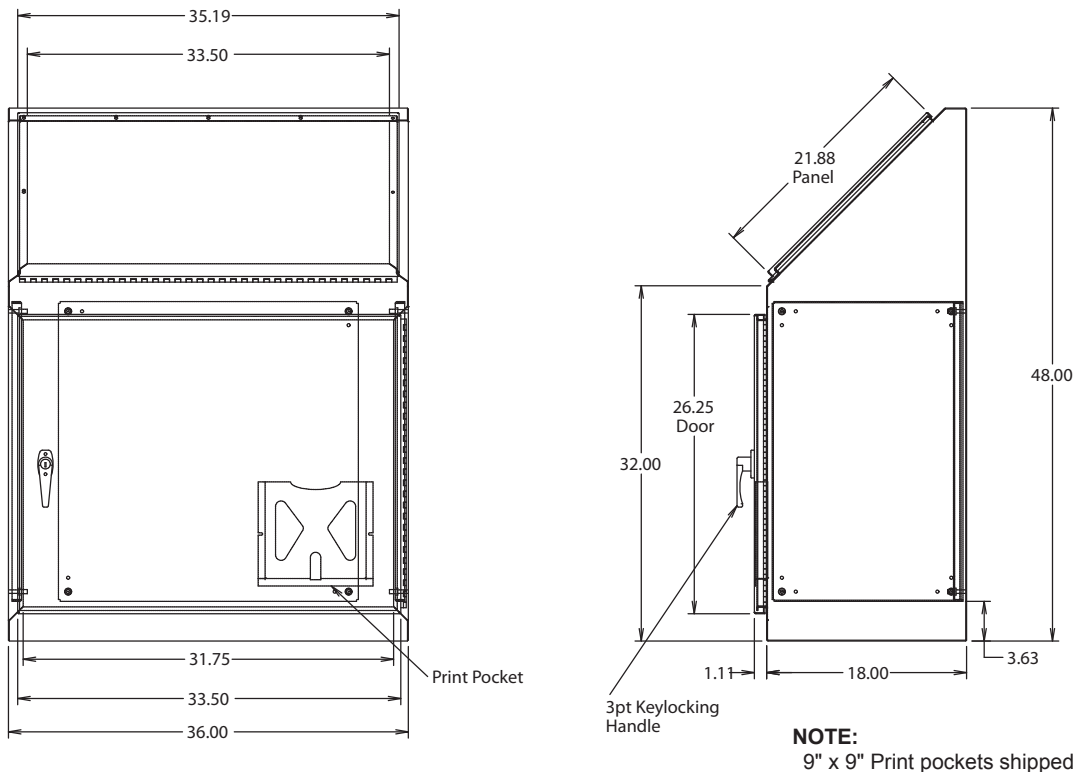
Consoles

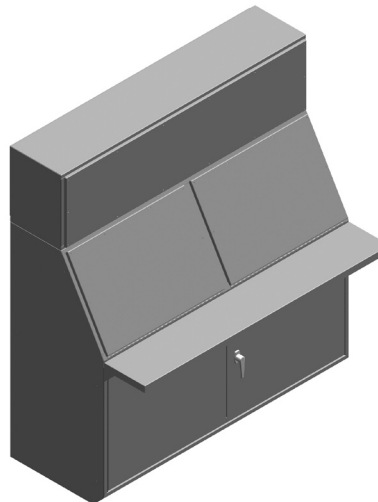
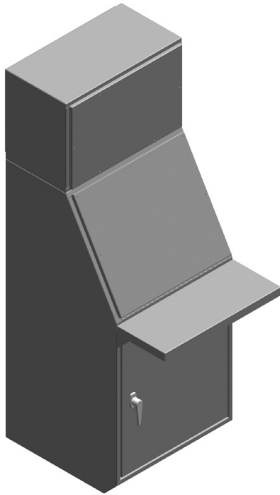
Series 1 and Series 9 Consoles

SP-924B



SP-936B





APPLICATIONS - Designed to house electrical controls, instruments, and components. Pushbuttons, pilot lights, meters, switches, etc. can be mounted on the sloping control panel or on the instrument panel.

CONSTRUCTION - Fabricated from 14 gauge carbon steel with continuously welded seams. Enclosures feature:

- Doors and exterior panels have oil resistant gaskets and are secured by Three point latches with key locking handles.
- The 24" and 36" consoles have a single door on the front. The 48" console has overlapping double doors on the front.
- The door surfaces are flush with the front to the body.
- Each console has a large sloping control panel hinged along the bottom edge and secured with captivated panel screws threaded into sealed wells for a good secure fit.
- Stops are provided to hold the control panel open.
- Collar studs provided for mounting optional sub panels.

FINISH - Standard RAL 7035 texture polyester powder coat finish on interior and exterior of enclosures. Recoatable, smooth, white or ANSI-61 gray available at no charge. Standard RAL and custom match finishes available for an additional charge, please contact Schaefer's Electrical Enclosures, Inc. for further assistance. All powder coat finishes applied over cleaned phosphatized surfaces. Carbon steel sub panels have a white polyester powder coat finish.

OPTIONS - Schaefer's Electrical Enclosures, Inc. can modify standard enclosures or custom design enclosures according to your specifications. Holes, cutouts, sizes, materials, and many more options are available. Quotations upon request.

CONSOLE TOPS - 16" high x 12¹/₂" deep and extend the full width of the console. The 24" and 36" have a gasketed instrument panel on the front and gasketed

access panel on the back. The 48" has one instrument panel on the front and two access panels on the rear. The 60" has two gasketed instrument panels on the front and one gasketed access panel on the back. The 72" has two gasketed instrument panels in front and two gasketed access panels in the back. The tops are fabricated from 14 gauge carbon steel with continuously welded seams. Tops are easily attachable to console bodies. (Order separately)

CONSOLE WRITING DESK - Fabricated from 14 gauge carbon steel and easily attached to console. Mounting hardware is included. (Order separately)

STATIONARY SUB-PANELS - Half panel and full panel 12 gauge carbon steel stationary sub-panels are easy to remove and are adjustable from front to back. Order separately.

RACK MOUNTING ANGLES - For mounting 19" rack mounted equipment in the 24" Console.

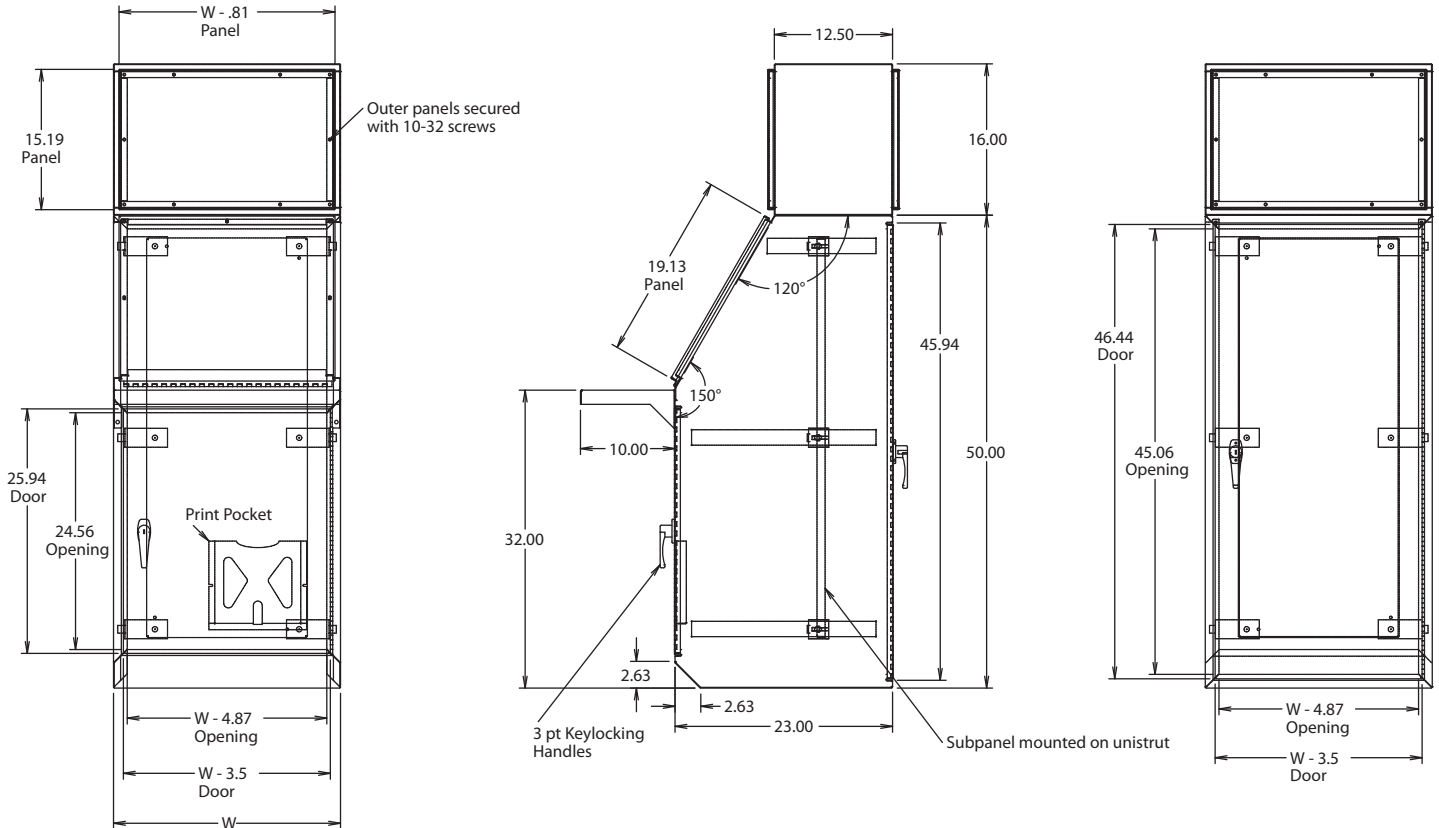
INDUSTRY STANDARDS

- UL 50 Listed
- CUL 50 Listed
- Type 12

Catalog Number	Description	Enclosure Size H x W x D (inches)	Shpg. Wt.
SP-14B	Console Body Only	50 x 24 x 23	181
SP-14T	Top Only	16 x 24 x 12.5	45
SP-14W	Writing Desk	-- x 24 x 10	10
SP-14P2	Half Panel	22 x 17	26
SP-14P3	Full Panel	42.25 x 17	24
SP-1436B	Console Body Only	50 x 36 x 23	235
SP-1436T	Top Only	16 x 36 x 12.5	62
SP-1436W	Writing Desk	-- x 36 x 10	12
SP-1436P2	Half Panel	22 x 29	34
SP-1436P3	Full Panel	42.25 x 29	44
SP-1448BD	Console Body Only	50 x 48 x 23	290
SP-1448T	Top Only	16 x 48 x 12.5	79
SP-1448W	Writing Desk	-- x 48 x 10	14
SP-1448P2	Half Panel	22 x 41	43
SP-1448P3	Full Panel	42.25 x 41	57
SP-1460BD	Console Body Only	50 x 60 x 23	311
SP-1460T	Top Only	16 x 60 x 12.5	96
SP-1460W	Writing Desk	-- x 60 x 10	20
SP-1460P2	Half Panel	22 x 53	42
SP-1460P3	Full Panel	42.25 x 53	77
SP-1472BD	Console Body Only	50 x 72 x 23	382
SP-1472T	Top Only	16 x 72 x 12.5	112
SP-1472W	Writing Desk	-- x 72 x 10	25
SP-1472P2	Half Panel	22 x 65	50
SP-1472P3	Full Panel	42.25 x 65	102

NOTE: Reference page 122 for sub panel layout.

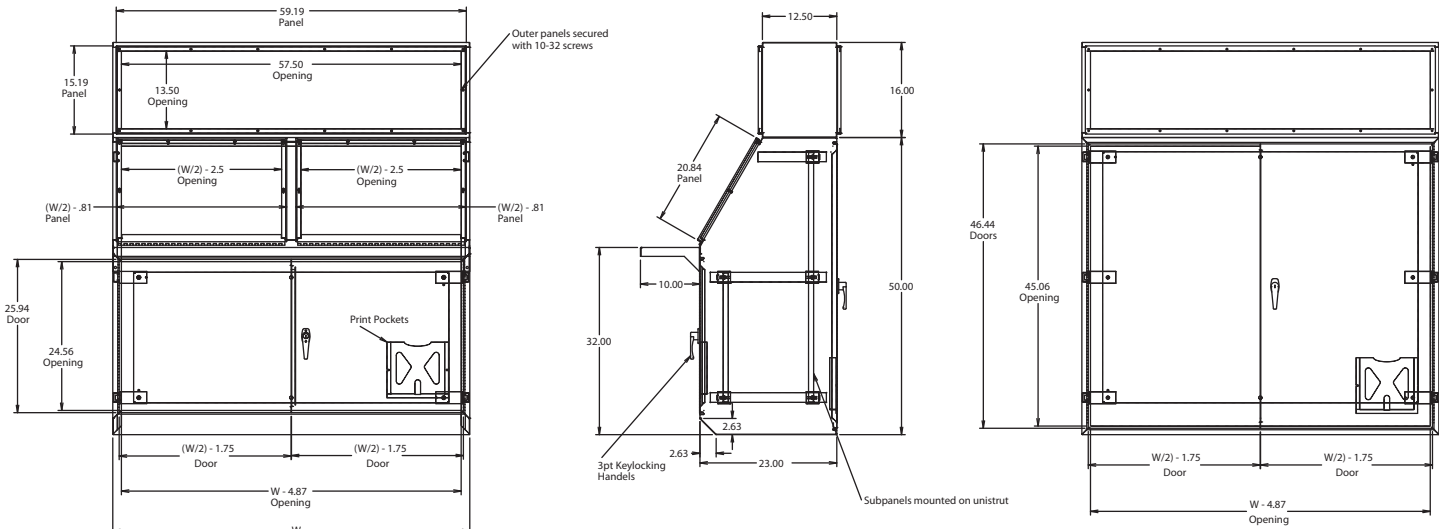
SP-14B Single Door



NOTE:

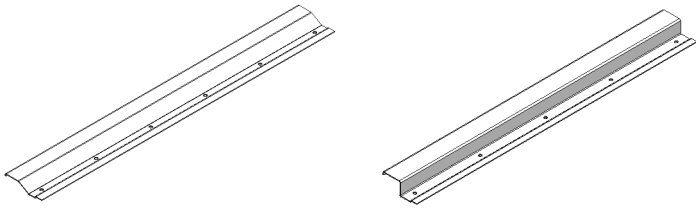
9" x 9" Print Pocket shipped inside enclosure.

SP-14B Double Door



NOTE:

9" x 9" Print Pocket shipped inside enclosure.

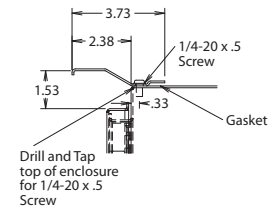
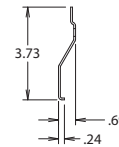
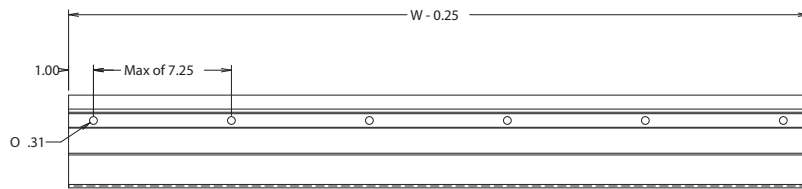


Drip Shield Kits

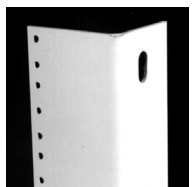
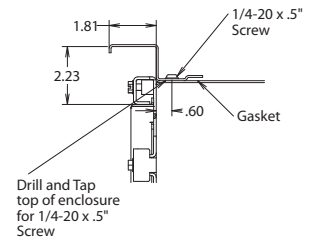
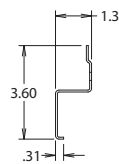
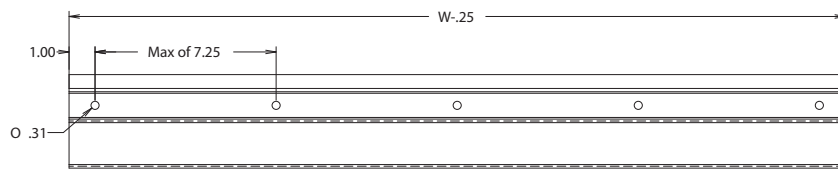
Drip shield kits are designed to protect enclosures from dust and dripping water. They are fabricated from 14 gauge carbon steel with standard RAL 7035 texture polyester powder coat finish on interior and exterior of enclosures. Recoatable, smooth, white or ANSI-61 gray available at no charge. Standard RAL and custom match finishes available for an additional charge, please contact Schaefer's Electrical Enclosures, Inc. for further assistance. All powder coat finishes applied over cleaned phosphatized surfaces. They are also available in type 304 and type 316 stainless steel. Stainless steel drip shield kits have a polished #4 finish. They are attached with stainless steel screws and neoprene washers.

NOTE: Standard drip shield kits are packaged for field installation using common hand tools. Drip shield kits can also be welded on at the factory. Standard enclosures can be converted to UL 3FR when drip shield kits and drain holes are installed at the factory.

Type 12 Drip Shield Kit

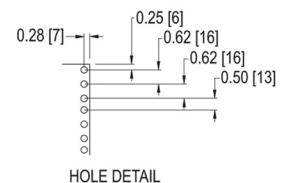
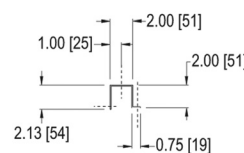
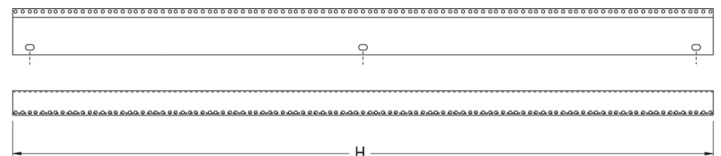


Type 4 Drip Shield Kit



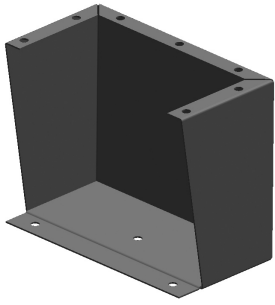
Rack Mounting Angle Kits

Available in pairs and include all required hardware. Used to mount 19" rack mounted equipment in freestanding enclosures. Use clip nut package (20 pc included) to provide tapped holes at desired locations. Rack angles are available as shown, or in L-angle style upon request. Additional clip nuts can be provided upon request.



* Custom made specify height and material

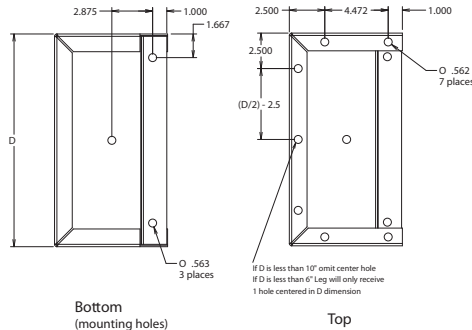
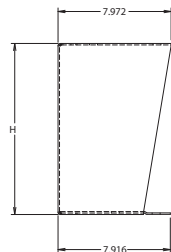
Floor Stand Kits



Floor stand kits for Type 4 & 12 enclosures are designed to convert wall mounted enclosures to floor standing enclosures. These kits consist of two stands which may be bolted onto the bottom of the enclosure in the field or welded on at the factory. These kits are fabricated from a heavy gauge carbon steel with a standard RAL 7035 texture polyester powder coat finish on interior and exterior of enclosures. Recoatable, smooth, white or ANSI-

61 gray available at no charge. Standard RAL and custom match finishes available for an additional charge, please contact Schaefer's Electrical Enclosures, Inc. for further assistance. All powder coat finishes applied over cleaned phosphatized surfaces. Type 304 and type 316 stainless steel is available. Stainless steel floor stand kits have a polished #4 finish. Special heights, depths, and many other options can also be provided. Quotations are available upon request.

Carbon Steel #	Catalog Number		Size H x D (Inches)	Shpg. Wt.
	304 Stainless Steel #	316 Stainless Steel #		
SPFSK-68	SPFSKSS-68	SPFSKSS6-68	6 x 8	19
SPFSK-610	SPFSKSS-610	SPFSKSS6-610	6 x 10	21
SPFSK-612	SPFSKSS-612	SPFSKSS6-612	6 x 12	23
SPFSK-616	SPFSKSS-616	SPFSKSS6-616	6 x 16	30
SPFSK-618	SPFSKSS-618	SPFSKSS6-618	6 x 18	31
SPFSK-620	SPFSKSS-620	SPFSKSS6-620	6 x 20	34
SPFSK-624	SPFSKSS-624	SPFSKSS6-624	6 x 24	41
SPFSK-630	SPFSKSS-630	SPFSKSS6-630	6 x 30	51
SPFSK-636	SPFSKSS-636	SPFSKSS6-636	6 x 36	61
SPFSK-128	SPFSKSS-128	SPFSKSS6-128	12 x 8	29
SPFSK-1210	SPFSKSS-1210	SPFSKSS6-1210	12 x 10	32
SPFSK-1212	SPFSKSS-1212	SPFSKSS6-1212	12 x 12	35
SPFSK-1216	SPFSKSS-1216	SPFSKSS6-1216	12 x 16	42
SPFSK-1218	SPFSKSS-1218	SPFSKSS6-1218	12 x 18	47
SPFSK-1220	SPFSKSS-1220	SPFSKSS6-1220	12 x 20	50
SPFSK-1224	SPFSKSS-1224	SPFSKSS6-1224	12 x 24	60
SPFSK-1230	SPFSKSS-1230	SPFSKSS6-1230	12 x 30	74
SPFSK-1236	SPFSKSS-1236	SPFSKSS6-1236	12 x 36	88
SPFSK-188	SPFSKSS-188	SPFSKSS6-188	18 x 8	40
SPFSK-1810	SPFSKSS-1810	SPFSKSS6-1810	18 x 10	44
SPFSK-1812	SPFSKSS-1812	SPFSKSS6-1812	18 x 12	47
SPFSK-1816	SPFSKSS-1816	SPFSKSS6-1816	18 x 16	58
SPFSK-1820	SPFSKSS-1820	SPFSKSS6-1820	18 x 20	72
SPFSK-1824	SPFSKSS-1824	SPFSKSS6-1824	18 x 24	85
SPFSK-1830	SPFSKSS-1830	SPFSKSS6-1830	18 x 30	106
SPFSK-248	SPFSKSS-248	SPFSKSS6-248	24 x 8	52
SPFSK-2410	SPFSKSS-2410	SPFSKSS6-2410	24 x 10	56
SPFSK-2412	SPFSKSS-2412	SPFSKSS6-2412	24 x 12	60
SPFSK-2416	SPFSKSS-2416	SPFSKSS6-2416	24 x 16	70
SPFSK-2424	SPFSKSS-2424	SPFSKSS6-2424	24 x 24	103



Bottom
(mounting holes)

Top



Door Stop Kits

Door stop kits are for use on standard Type 4 and 12 enclosures to hold the doors open. These door stop kits are designed for use on the top or bottom of a horizontally swinging door of 16 inches wide or wider. Fixed door stop kits provide a 90 degree door swing. Adjustable

door stop kits provide door swing adjustment up to 120 degrees by means of a wing nut. The stop arm on both fixed and adjustable kits swings out of the way when the door is closed. Kits are available in carbon or stainless steel. Carbon steel kits are zinc plated.

Part Number	Description
SP-DSTOPK	Heavy Duty Adjustable - Carbon Steel
SP-DSTOPK-SS	Heavy Duty Adjustable - 304 Stainless Steel
SP-DSTOPK-SS6	Heavy Duty Adjustable - 316 Stainless Steel



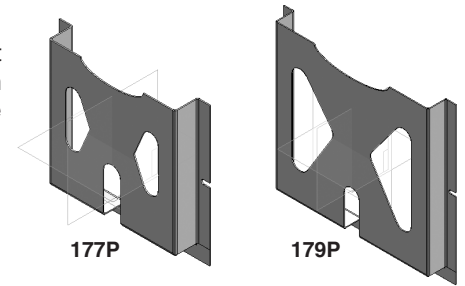
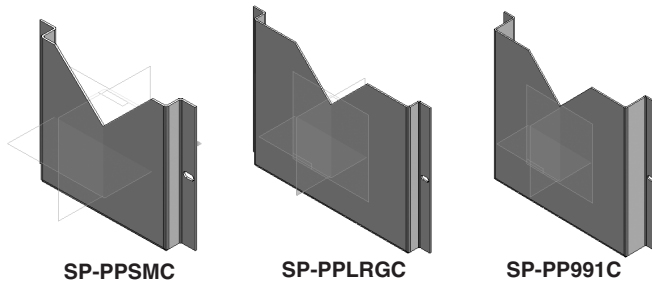
Touch Up Paint

- Used to repair the finish of enclosures and panels
- Furnished in 12 oz. spray cans

Catalog Number	Description	Shpg. Wt.
SPAC-WHITE	White	1
SPAC-ANSI-61	ANSI-61 Grey	1
SPAC-RAL7035	RAL-7035	1

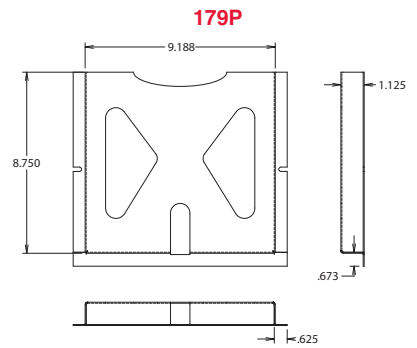
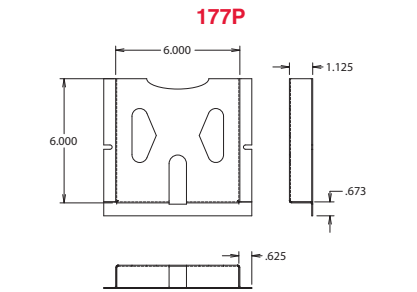
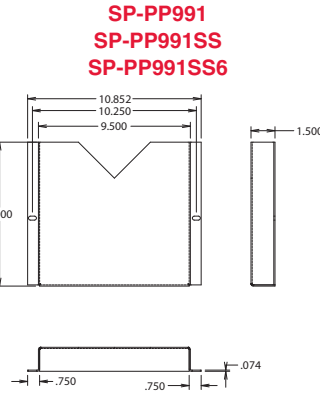
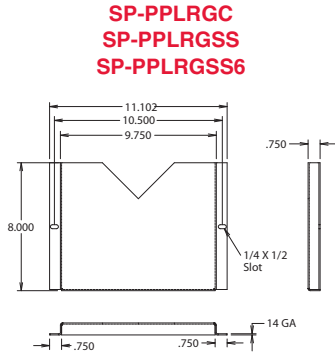
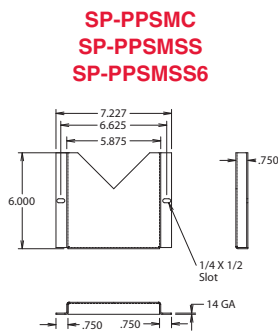
Replacement Print Pocket

Designed for print storage on the interior of an enclosure. Intended for use as a replacement or as an additional print pocket. Standard Print pockets are made of gray Polystyrene with self adhesive provided for mounting on enclosure. Print Pockets fabricated from 14 gauge carbon steel with white polyester finish.



Part Number	Description
177P	Small Print Pocket 6 x 6
179P	Large Print Pocket 9 x 9

Carbon Steel #	Catalog Number		Shpg. Wt.	Description
	304 Stainless Steel #	316 Stainless Steel #		
SP-PPSMC	SP-PPSMSS	SP-PPSMSS6	2	Small Print Pocket
SP-PPLRGC	SP-PPLRGSS	SP-PPLRGSS6	3	Large Print Pocket
SP-PP991C	SP-PP991SS	SP-PP991SS6	4	Extra Large Print Pocket



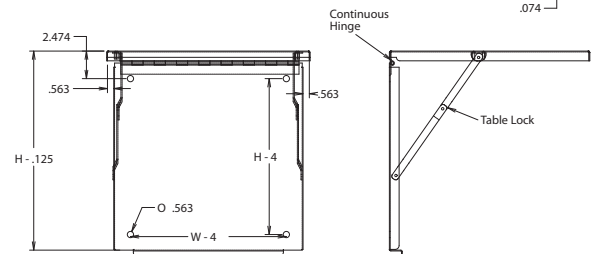
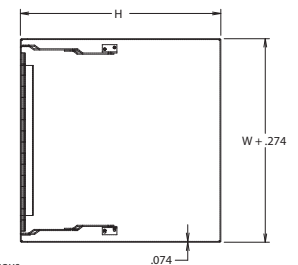
Folding Shelf



Support instruments and test equipment that are used to install and maintain electrical components in an enclosure. Also ideally suited for supporting programmers, monitoring units and other equipment used with programmable controllers. Shelf locks in lower and upper positions.

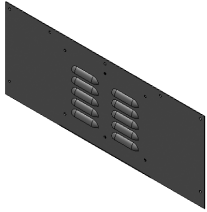
Notes: When installing folding shelf to inside of enclosure doors, it is recommended to also install a door stop kit.

The shelf can be installed on the inside or outside surface of larger enclosures. All parts are made of heavy gauge carbon steel with a standard RAL 7035 texture polyester powder coat finish on interior and exterior of enclosures. Recoatable, smooth, white or ANSI-61 gray available at no charge. Standard RAL and custom match finishes available for an additional charge, please contact Schaefer's Electrical Enclosures, Inc. for further assistance. All powder coat finishes applied over cleaned phosphatized surfaces. Stainless steel construction is available upon request. Maintains UL Type 4 and Type 12 if properly installed in a Schaefer's enclosure.



Part Number	Description	Size (inch)	
		W	D
SP-Shelf18	"18" Folding Shelf	18	19
SP-Shelf24	"24" Folding Shelf	24	19

Louver Skirt Kits



Louver skirt kits are fabricated from 14 gauge carbon steel with a standard RAL 7035 texture polyester powder coat finish on interior and exterior of enclosures. Recoatable, smooth, white or ANSI-61 gray available at no charge. Standard RAL and custom match finishes available for an additional charge, please contact

Schaefer's Electrical Enclosures, Inc. for further assistance. All powder coat finishes applied over cleaned phosphatized surfaces. 14 gauge type 304 and type 316 stainless steel are available with a polished #4 finish. They are designed to restrict access to any connections but still provide ventilation of any waste gases.

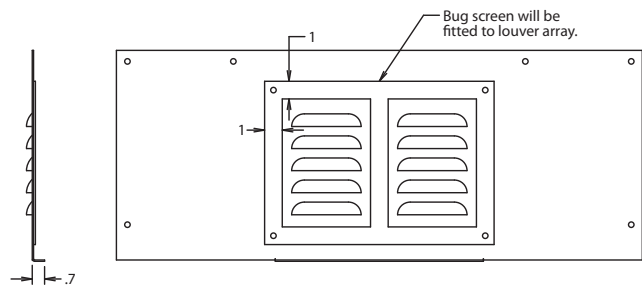
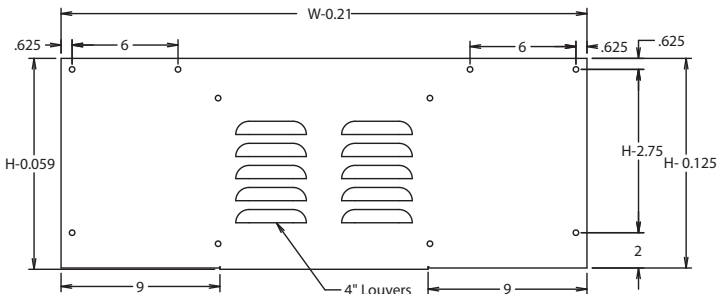
These kits can be easily installed in the field by drilling holes in the floor stand kits and bolting louver skirt to floor stand kit. Hardware is furnished for mounting.

Kit includes: 2 skirts, hardware to install to enclosure. See SPSKTB for skirt kits with bug screen.

Vandal proof design, custom sizes, and features provided upon request.

Carbon Steel #	Catalog Number		Size H x W (inches)	Shpg. Wt.	# of Louvers
	304 Stainless Steel #	316 Stainless Steel #			
SPSKT-636	SPSKTSS-636	SPSKTSS6-636	6 x 36	12	6
SPSKT-642	SPSKTSS-642	SPSKTSS6-642	6 x 42	14	8
SPSKT-648	SPSKTSS-648	SPSKTSS6-648	6 x 48	16	10
SPSKT-660	SPSKTSS-660	SPSKTSS6-660	6 x 60	20	14
SPSKT-672	SPSKTSS-672	SPSKTSS6-672	6 x 72	24	18
SPSKT-1236	SPSKTSS-1236	SPSKTSS6-1236	12 x 36	20	15
SPSKT-1242	SPSKTSS-1242	SPSKTSS6-1242	12 x 42	23	20
SPSKT-1248	SPSKTSS-1248	SPSKTSS6-1248	12 x 48	26	25
SPSKT-1260	SPSKTSS-1260	SPSKTSS6-1260	12 x 60	33	35
SPSKT-1272	SPSKTSS-1272	SPSKTSS6-1272	12 x 72	40	45
SPSKT-1836	SPSKTSS-1836	SPSKTSS6-1836	18 x 36	30	33
SPSKT-1842	SPSKTSS-1842	SPSKTSS6-1842	18 x 42	35	44
SPSKT-1848	SPSKTSS-1848	SPSKTSS6-1848	18 x 48	40	55
SPSKT-1860	SPSKTSS-1860	SPSKTSS6-1860	18 x 60	50	77
SPSKT-1872	SPSKTSS-1872	SPSKTSS6-1872	18 x 72	60	99
SPSKT-2436	SPSKTSS-2436	SPSKTSS6-2436	24 x 36	40	45
SPSKT-2442	SPSKTSS-2442	SPSKTSS6-2442	24 x 42	47	60
SPSKT-2448	SPSKTSS-2448	SPSKTSS6-2448	24 x 42	53	75
SPSKT-2460	SPSKTSS-2460	SPSKTSS6-2460	24 x 60	67	90
SPSKT-2472	SPSKTSS-2472	SPSKTSS6-2472	24 x 72	80	105

Note: Add the letter "B" after the letter "T" in the part number when ordering Louver skirt kits with bug screen Ex. SPSKTB-636



Note:

1. Bug screen frame will be wrapped with wire mesh and bolted to the louver skirt.

Louver Plate Kit



Designed to provide ventilation in enclosures where excessive internal heat or moisture is a problem.

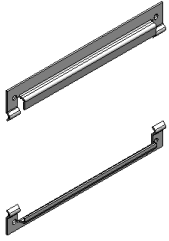
These kits can be easily installed in the field by making a cutout of the proper size and attaching the louver plate in place. Louver plates are made from heavy gauge carbon steel, type 304 or type 316 stainless steel.

Carbon louver plates have a standard RAL 7035 texture polyester powder coat finish on interior and exterior of enclosures. Recoatable, smooth, white or ANSI-61 gray available at no charge. Standard RAL and custom match finishes available for an additional charge, please contact Schaefer's Electrical Enclosures, Inc. for further assistance. All powder coat finishes applied over cleaned phosphatized surfaces. Stainless steel plates have a polished #4 finish. Hardware is furnished

for mounting. Custom sizes, etc., can be provided on special order. Louvers can also be punched in enclosure at the factory.

Louvers used in UL Type 1 or 3R enclosures will maintain UL rating. Additional sizes available upon request. Louver can also be factory installed (pressed in).

Carbon Steel #	Catalog Number		Product Size			Cutout Size (inches)		Shpg. Wt.
	304 Stainless Steel #	316 Stainless Steel #	H x W (inches)	# of Louvers	Louver Lenth	H	W	
SP-VK23	SP-VKSS23	SP-VKSS623	3.25 x 3.25	2	2.5	2	1.75	1
SP-VK33	SP-VKSS33	SP-VKSS633	3.87 x 4.5	3	2.5	2.62	3	1
SP-VK34	SP-VKSS34	SP-VKSS634	4.75 x 4.5	4	2.5	3.5	3	1
SP-VK43	SP-VKSS43	SP-VKSS643	4.5 x 5.5	3	4	3.5	4	1
SP-VK44	SP-VKSS44	SP-VKSS644	5.62 x 5.5	4	4	4.37	4	1
SP-VK64	SP-VKSS64	SP-VKSS664	5.62 x 7.5	8	2.5	4.37	6	1
SP-VK66	SP-VKSS66	SP-VKSS666	7.87 x 7.5	12	2.5	6.62	6	1
SP-VK84	SP-VKSS84	SP-VKSS684	5.81 x 9.5	8	4	4.56	8	1
SP-VK86	SP-VKSS86	SP-VKSS686	8.18 x 9.5	12	4	6.93	8	2
SP-VK88	SP-VKSS88	SP-VKSS688	10.56 x 9.5	16	4	9.31	8	2
SP-VK812	SP-VKSS812	SP-VKSS6812	15.31 x 9.5	24	4	14.06	8	3



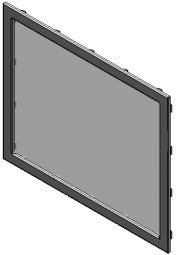
Filters for Louver Kits

Designed for use with Louver Plate Kit. Mounting holes on filter bracket align with louver mounting holes. Hardware supplied with louvers also secure filter brackets in place.

Brackets are fabricated from .080 aluminum.

Custom sizes, etc., can be provided on special order.

Part Number	Use with Louver Kit
SP-FLT33	SP-VK33
SP-FLT34	SP-VK34
SP-FLT43	SP-VK43
SP-FLT44	SP-VK44
SP-FLT64	SP-VK64
SP-FLT66	SP-VK66
SP-FLT84	SP-VK84
SP-FLT86	SP-VK86
SP-FLT88	SP-VK88
SP-FLT812	SP-VK812

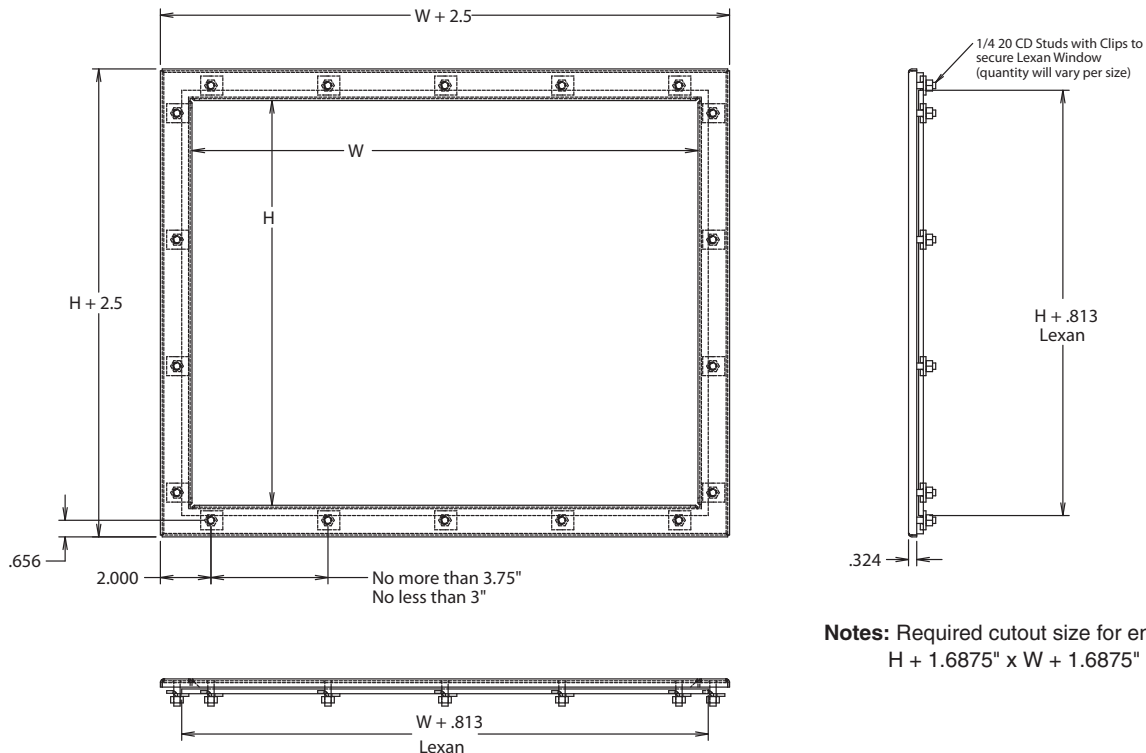


Window Kits

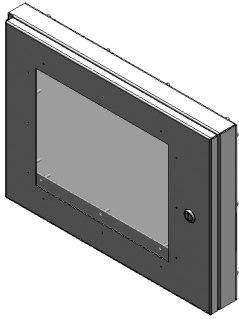
These kits are easily installed by making a cutout in the enclosure and attaching the window and frame in place (hardware furnished). Frames are made from heavy gauge carbon steel and have a standard RAL 7035 texture polyester powder coat finish on interior and exterior of enclosures. Recoatable, smooth, white or ANSI-61

gray available at no charge. Standard RAL and custom match finishes available for an additional charge, please contact Schaefer's Electrical Enclosures, Inc. for further assistance. All powder coat finishes applied over cleaned phosphatized surfaces. Type 304 and type 316 stainless steel are available with a polished #4 finish. The window is scratch-resistant 1/4" Thermoplastic. Oil-resistant gasket ensures a tight seal around the perimeter of the window and frame. All mounting hardware is furnished. Custom sizes and materials can be provided on special order. Consult factory for information. Tinted glass and safety glass are available upon request.

Carbon Steel #	Catalog Number		Frame Size		Viewing Area		Shpg. Wt.
	304 Stainless Steel #	316 Stainless Steel #	H	W	H	W	
SPWK-53	SPWKSS-53	SPWKSS6-53	7.5	5.5	5	3	1
SPWK-95	SPWKSS-95	SPWKSS6-95	11.5	8	9	5.5	3
SPWK-1010	SPWKSS-1010	SPWKSS6-1010	12.5	12.5	10	10	4
SPWK-1212	SPWKSS-1212	SPWKSS6-1212	14.5	14.5	12	12	5
SPWK-133	SPWKSS-133	SPWKSS6-133	15.5	5.5	13	3	3
SPWK-138	SPWKSS-138	SPWKSS6-138	15.5	10.5	13	8	4
SPWK-1711	SPWKSS-1711	SPWKSS6-1711	19.5	13.5	17	11	6
SPWK-175	SPWKSS-175	SPWKSS6-175	19.5	7.5	17	5	4
SPWK-2016	SPWKSS-2016	SPWKSS6-2016	22.5	18.5	20	16	8
SPWK-2017	SPWKSS-2017	SPWKSS6-2017	22.5	19.5	20	17	8
SPWK-2020	SPWKSS-2020	SPWKSS6-2020	22.5	22.5	20	20	10
SPWK-2315	SPWKSS-2315	SPWKSS6-2315	25.5	17.5	23	15	8
SPWK-2420	SPWKSS-2420	SPWKSS6-2420	26.5	22.5	24	20	9
SPWK-2424	SPWKSS-2424	SPWKSS6-2424	26.5	26.5	24	24	12
SPWK-2919	SPWKSS-2919	SPWKSS6-2919	31.5	21.5	29	19	12
SPWK-3523	SPWKSS-3523	SPWKSS6-3523	37.5	25.5	35	23	16
SPWK-3624	SPWKSS-3624	SPWKSS6-3624	38.5	26.5	36	24	17
SPWK-3636	SPWKSS-3636	SPWKSS6-3636	38.5	38.5	36	36	25



Notes: Required cutout size for enclosure is:
 $H + 1.6875" \times W + 1.6875"$

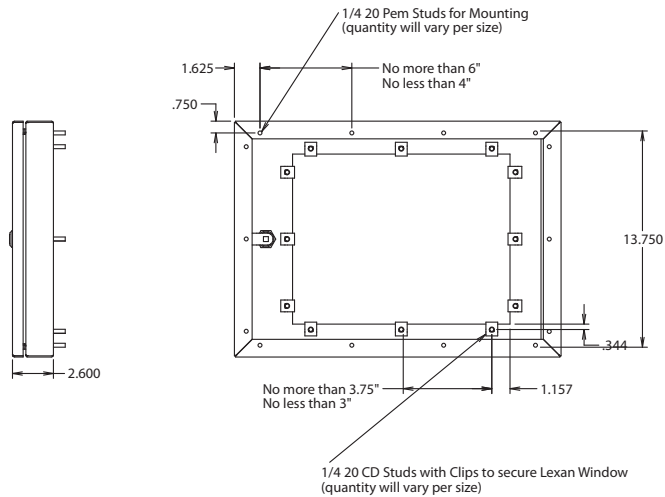
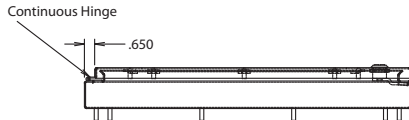
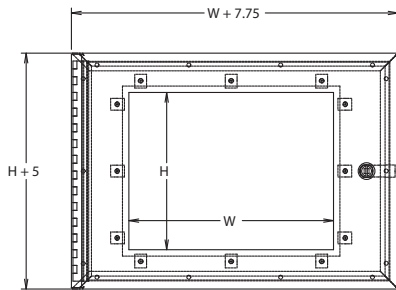


Hinged Window Kit

For use as a viewing window where access to components mounted behind the window is required. The window is 1/4" thick with scratch-resistant Thermoplastic. Easily mounted. All mounting hardware is provided. Tinted glass and safety

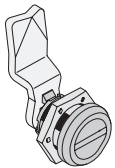
glass available upon request.

Carbon Steel #	Catalog Number		Frame Size			Viewing Area		Shpg. Wt.
	304 Stainless Steel #	316 Stainless Steel #	H	W	D	H	W	
SPHWK-1010	SPHWKSS-1010	SPHWKSS6-1010	15	17.75	2.6	10	10	12
SPHWK-124	SPHWKSS-124	SPHWKSS6-124	17	11.75	2.6	12	4	6
SPHWK-1212	SPHWKSS-1212	SPHWKSS6-1212	17	19.75	2.6	12	12	16
SPHWK-1520	SPHWKSS-1520	SPHWKSS6-1520	20	27.75	2.6	15	20	33
SPHWK-168	SPHWKSS-168	SPHWKSS6-168	21	15.75	2.6	16	8	15
SPHWK-1711	SPHWKSS-1711	SPHWKSS6-1711	22	18.75	2.6	17	11	21
SPHWK-208	SPHWKSS-208	SPHWKSS6-208	25	15.75	2.6	20	8	20
SPHWK-2010	SPHWKSS-2010	SPHWKSS6-2010	25	17.75	2.6	20	10	23
SPHWK-2012	SPHWKSS-2012	SPHWKSS6-2012	25	19.75	2.6	20	12	27
SPHWK-2017	SPHWKSS-2017	SPHWKSS6-2017	25	24.75	2.6	20	17	35
SPHWK-2020	SPHWKSS-2020	SPHWKSS6-2020	25	27.75	2.6	20	20	40
SPHWK-2021	SPHWKSS-2021	SPHWKSS6-2021	25	28.75	2.6	20	21	42
SPHWK-2424	SPHWKSS-2424	SPHWKSS6-2424	29	31.75	2.6	24	24	45
SPHWK-2615	SPHWKSS-2615	SPHWKSS6-2615	31	22.75	2.6	26	15	38
SPHWK-3215	SPHWKSS-3215	SPHWKSS6-3215	37	22.75	2.6	32	15	45
SPHWK-3636	SPHWKSS-3636	SPHWKSS6-3636	41	43.75	2.6	36	36	54



Replacement Latches & Clamps

The replacement latches and clamps shown on this page are standard features on Schaefer's Electrical Enclosures, Inc. and can be ordered separately.



Quarter Turn Slotted Latch

- Standard Elite UL Type 4, 4X, 12, and 13 enclosures only
- Made of black polyimide
- Allows for a maximum of 26 inch spacing between latches
- Black polyimide

Part Number	Description
R002-0100BLK/BLK	Black Polyimide
R090-0100 SS	Stainless Steel

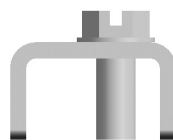
Note: Cams are ordered separately.



Type 4 Clamp

- Made of stainless steel
- Standard on Wall Mount UL Type 4 and 4X enclosures
- Assembly includes clamp, spring, and 1/4-20-304 or 1/4-28-316 threaded screw
- Allows for a maximum of 24 inch spacing between clamps

Part Number	Description
NH-41041	NEMA 4 Clamp 304
NH-41050	NEMA 4 Clamp 316



Type 12 Clamp

- Made of plated mild steel
- Standard Wall Mount UL Type 12 enclosures
- Assembly includes clamp, spring, and 1/4-20 threaded screw
- Allows for a maximum of 35 inch spacing between clamps

Part Number	Description
NH-20030	NEMA 12 Clamp

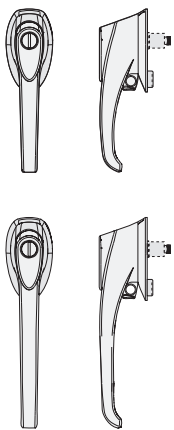
Replacement Handle Kits

Kit includes the following: handle, cam, retainers, hardware, latch rods, latch rod guides. All kits are packaged for field installation.

Enclosure Family	Catalog Number	Description
SPWF	BPL305-90CCW-KIT	Keylocking Assembly
SPSDN12	261612-10-KIT	Padlocking 2-Point Assembly
SPN12D	BPL305-90CCW-KIT	Keylocking Assembly
SP-X	261621-41-KIT	Padlock with Defeater Assembly
SP-X	261623-KIT	Padlock Non-Defeater Assembly
SP-XM	261621-41-KIT	Padlock with Defeater Assembly
SP-XM	261623-KIT	Padlock Non-Defeater Assembly
SPFS	BPL305-90CCW-KIT	Keylocking Assembly
	R02-0100BLK/BLK-KIT	Console 3-Point Assembly

Replacement Handles

The replacement handles shown on this page are standard features on Schaefer's Electrical Enclosures, Inc. and can be ordered separately.



Euro-Design Padlocking Handle

- Made of black zinc die cast
- Available in compact and heavy duty style
- Available with or without defeater mechanism
- Used for UL Type 12
- Suitable for three point latching systems
- Custom inserts are available
- Compact is the replacement for SPABN12 enclosures
- Heavy-duty is the replacement for Type 12 Floor Mount, Type 12 Modular and Type 12 Freestanding enclosures families

Part Number	Description
261631-41	Compact With Defeater
261623	Heavy Duty
261621-41	Heavy Duty With Defeater

NOTE: Cams are ordered separately



Heavy-Duty Keylocking Handle

- Made of black zinc die cast with key included
- Standard replacement handle for Free Standing enclosures
- Used for three point latching systems
- Maintains UL Type 12 enclosure ratings

Part Number	Description
261612-10	Heavy-Duty Keylocking Handle

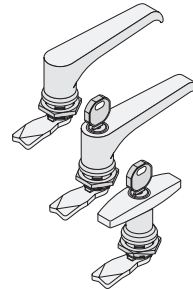
NOTE: Cams are ordered separately

Custom Handles

These handles can be used in three point latching systems and will maintain the enclosures UL rating. Factory installation is recommended. These handles can be used on special enclosures as an option. Call for availability.

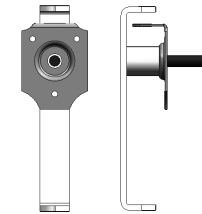
Light Duty Quarter Turn Handles

- Available in black polyamide, black zinc die cast, or chrome
- Suitable for three point UL Type 12 latching systems
- Specify material when ordering



Part Number	Description
R020-0100-SS	Non-locking Stainless Steel
R020-0400CH	Keylocking Black Zinc Die
R020-0200-CH	Keylocking Chrome
R021-0200	T-Type Keylocking Chrome

NOTE: Cams are ordered separately



Type 304 Stainless Steel Heavy-Duty Padlocking Handle

- Made of stainless steel
- Suitable for three point latching systems where enhanced corrosion resistance is required
- Suitable for UL Type 12 applications

Part Number	Description
LH-40510	Stainless Steel Padlock Handle

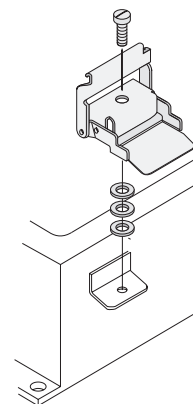
NOTE: Cams are ordered separately

Custom Latches & Clamps

Custom latches and clamps can be used on standard or custom enclosures and will maintain the enclosure's UL rating. Spacing and quantity limitations apply to maintain an enclosure's UL rating. Call for application information. Specify type of latch, material and insert when ordering.

Quick Release J-Series Enclosure Clamps

- Available in zinc plated mild steel and stainless steel
- Clamps have 1/4-20 thread
- Suitable for UL type 4, 4X, 12 and 13 enclosures



Part Number	Description
JH-40160	Plated Mild Steel
JH-40150	Stainless Steel



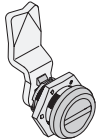
Quick Release Toggle Clamp

- Available in stainless steel
- Clamps have 1/4-20 304 or 1/4-28 316 threads and can be used in place of screw driver operated clamps on Schaefer's Electrical Enclosures
- Suitable for UL Type 4, 4X & 12 enclosures

Part Number	Description
NH-40231	Type 304 Stainless Steel Clamp
NH-40240	Type 316 Stainless Steel Clamp

NOTE: Stainless steel clamp required for 4/4X encl.

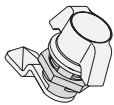
Mini 1/4-Turn Latch



The mini 1/4-turn latch can be used on J-Series enclosures and will maintain the enclosure's UL rating. The latch can be used in place of standard screw driver operated clamps. An equal number of latches are required when replacing clamps.

Part Number	Description
Mini-slot	Mini 1/4-Turn Slotted Latch

Wing 1/4-Turn Latch

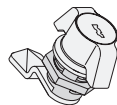


- Available in black polyimide
- Suitable for any Schaefer's Electrical enclosure
- Latch will maintain the UL rating

Part Number	Description
1000-U78	Wing 1/4-Turn Latch

NOTE: Cams are ordered separately

Keylocking Wing 1/4-Turn Latch

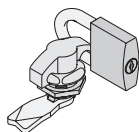


- Available in black polyimide
- Suitable for UL Type 12 enclosures

Part Number	Description
1000-U237	Keylocking Wing 1/4-Turn Latch

NOTE: Cams are ordered separately

Padlocking Wing 1/4-Turn Latch

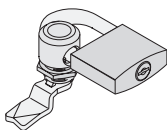


- Available in black polyimide
- Suitable for any Schaefer's Electrical enclosure
- Latch will maintain the UL rating

Part Number	Description
1000-U429-01	Padlocking Wing 1/4-Turn Latch

NOTE: Cams are ordered separately

Padlocking 1/4-Turn Latch



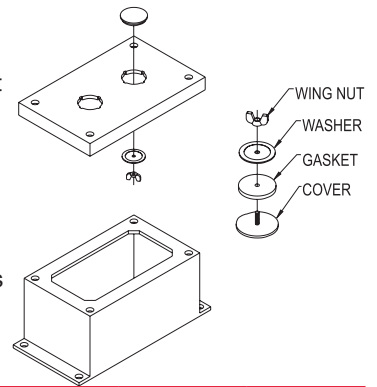
- Available in zinc die cast only and comes with chrome insert
- Suitable for any Schaefer's Electrical enclosure
- Latch will maintain the UL rating

Part Number	Description
C0035745	Padlocking 1/4 - Turn Latch

NOTE: Cams are ordered separately

Oil Tight Hole Seals

Hole seals are used to seal unused pushbutton holes, conduit and knockout holes and other openings of irregular shapes and sizes against dust, dirt, water and oil. They will cover holes ranging in size from 0.19 inches through 4.00 inches, and can be used on enclosures having a wall thickness up to 0.31 inches. The hole seals have a cover with 1/16" flange.

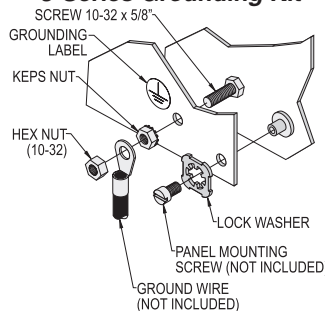


Part Number	Description	Max. Hole Diameter	Hole Seal Diameter
MILD STEEL OIL-TIGHT HOLE SEALS			
NH-45101	Miniature Oil-Tight PB Holes	0.88"	1.22"
NH-45102	1/2" Conduit Holes"	0.88"	1.38"
NH-45103	3/4" Conduit Holes"	1.06"	1.56"
NH-45104	Standard Oil-Tight PB Holes	1.25"	1.75"
NH-45105	1" Conduit Holes"	1.38"	1.88"
NH-45106	1-1/4" Conduit Holes"	1.69"	2.19"
NH-45107	1-1/2" Conduit Holes"	2.00"	2.50"
NH-45108	2" Conduit Holes"	2.50"	3.00"
NH-45109	2-1/2" Conduit Holes"	3.00"	3.50"
NH-45110	3" Conduit Holes"	3.62"	4.12"
NH-45111	3-1/2" Conduit Holes"	4.12"	4.62"
NH-45112	4" Conduit Holes"	4.62"	5.12"
STAINLESS STEEL OIL-TIGHT HOLE SEALS			
NH-45113	Miniature Oil-Tight PB Holes	0.88"	1.22"
NH-45114	1/2" Conduit Holes"	0.88"	1.38"
NH-45115	3/4" Conduit Holes"	1.06"	1.56"
NH-45116	Standard Oil-Tight PB Holes	1.25"	1.75"
NH-45117	1" Conduit Holes"	1.38"	1.88"
NH-45118	1-1/4" Conduit Holes"	1.69"	2.19"
NH-45119	1-1/2" Conduit Holes"	2.00"	2.50"
NH-45120	2" Conduit Holes"	2.50"	3.00"
NH-45121	2-1/2" Conduit Holes"	3.00"	3.50"
NH-45122	3" Conduit Holes"	3.62"	4.12"
NH-45123	3-1/2" Conduit Holes"	4.12"	4.62"
NH-45124	4: Conduit Holes	4.62"	5.12"

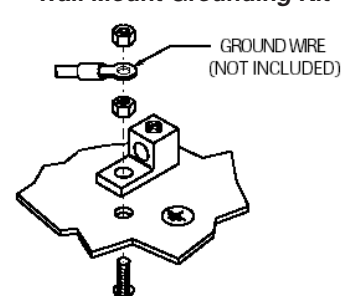
Grounding Kits

Ground kits include screws, nuts, washers and grounding label. Can be ordered separately. Ground strap not included.

J-Series Grounding Kit



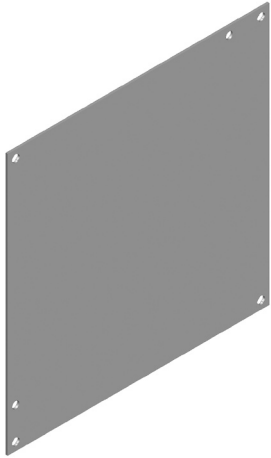
Wall Mount Grounding Kit



Part Number	Description
JH-45015	Grounding Kit For J-Series Enclosures
NH-45015	Grounding Kit For SPN4, SPN12 and ES Enclosures

NOTES:

1. Ground Strap not included
2. The Wall Mount version can be used on larger enclosures - order one kit per door



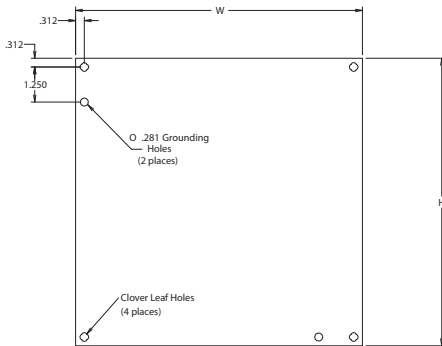
Type 1 Small Sub Panels

APPLICATIONS - For use in Type 1 and small Type 3R enclosure.

CONSTRUCTION - Fabricated from 14 gauge carbon steel.

FINISH - White polyester powder coat finish over cleaned phosphatized surfaces.

OPTIONS - Schaefer's Electrical Enclosures, Inc. can modify standard sub panels according to your specifications. Sizes and many more options are available. Quotations upon request.



Catalog Number	Sub Panel Size H x W x D (inches)	Shpg. Wt.
SPN1P-66	4.25 x 4.25	1
SPN1P-86	6.25 x 4.25	1
SPN1P-88	6.25 x 6.25	1
SPN1P-108	8.25 x 6.25	1
SPN1P-1010	8.25 x 8.25	2
SPN1P-1210	10.25 x 8.25	2
SPN1P-1212	10.25 x 10.25	3
SPN1P-1412	12.25 x 10.25	3
SPN1P-1612	14.25 x 10.25	3
SPN1P-2012	18.25 x 10.25	4
SPN1P-2412	22.25 x 10.25	5

JIC Small Sub Panels

APPLICATIONS - For use in JIC, JIC-Type 4 enclosures and small Type 3R Lift-Off enclosures.

CONSTRUCTION - Fabricated from 14 gauge carbon steel.

FINISH - White polyester powder coat finish over cleaned phosphatized surfaces.

OPTIONS - Schaefer's Electrical Enclosures, Inc. can modify standard sub panels according to your specifications. Sizes and many more options are available. Quotations upon request.

Catalog Number	Sub Panel Size H x W x D (inches)	Shpg. Wt.
SPPJ-64	4.87 x 2.87	1
SPPJ-66	4.87 x 4.87	1
SPPJ-86	6.87 x 4.87	1
SPPJ-88	6.87 x 6.87	2
SPPJ-108	8.87 x 6.87	2
SPPJ-1010	8.87 x 8.87	2
SPPJ-126	10.87 x 4.87	2
SPPJ-1210	10.87 x 8.87	2
SPPJ-1212	10.87 x 10.87	3
SPPJ-1224	10.87 x 22.87	7
SPPJ-148	12.87 x 6.87	2
SPPJ-1412	12.87 x 10.87	4
SPPJ-1610	14.87 x 8.87	3
SPPJ-1614	14.87 x 12.87	5
SPPJ-1612	14.87 x 10.87	3
SPPJ-1616	14.87 x 14.87	5

Type 1 Large Sub Panels

APPLICATIONS - For use in Large Type 1 enclosures.

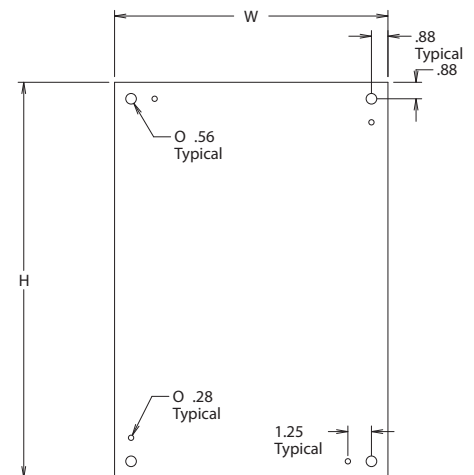
CONSTRUCTION - Fabricated from 14 or 12 gauge carbon steel.

FINISH - White polyester powder coat finish over cleaned phosphatized surfaces.



OPTIONS - Schaefer's Electrical Enclosures, Inc. can modify standard sub panels according to your specifications. Sizes and many more options are available. Quotations upon request.

Catalog Number	Sub Panel Size H x W x D (inches)	Gauge	Shpg. Wt.
SPLN1P-1612	13 x 10.5	14	4
SPLN1P-1616	13 x 14.5	14	6
SPLN1P-1620	13 x 18.5	14	7
SPLN1P-2016	17 x 14.5	14	7
SPLN1P-2020	17 x 18.5	14	9
SPLN1P-2024	17 x 22.5	14	11
SPLN1P-2416	21 x 14.5	14	9
SPLN1P-2420	21 x 18.5	14	11
SPLN1P-2424	21 x 22.5	12	13
SPLN1P-3020	26 x 18.5	12	14
SPLN1P-3024	26 x 22.5	12	16
SPLN1P-3030	26 x 28.5	12	20
SPLN1P-3624	32 x 22.5	12	19
SPLN1P-3630	32 x 28.5	12	24
SPLN1P-4224	38 x 22.5	12	23



Wall Mount Sub Panels

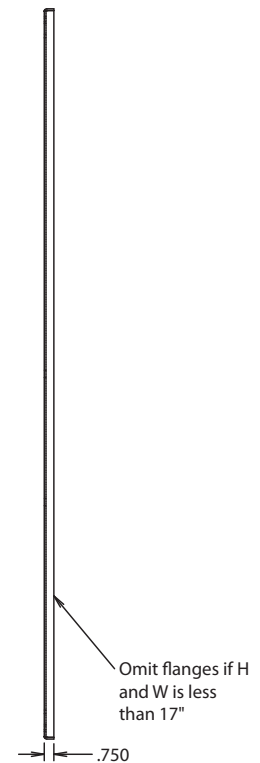
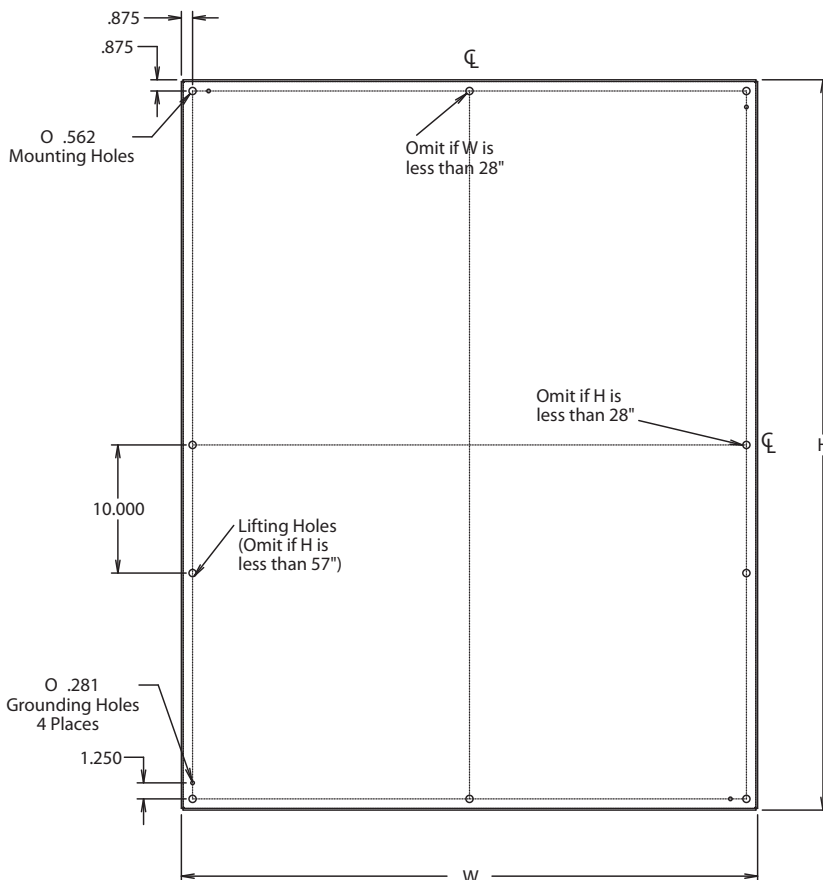
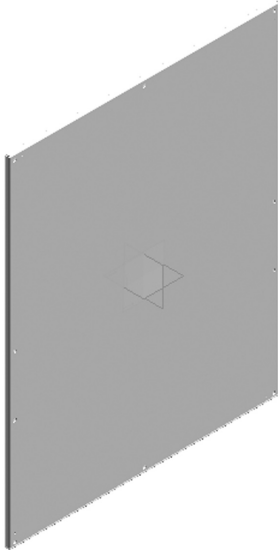
APPLICATIONS - For use in Type 12 Single Door, Type 4 Single Door, Large Oil-Tight JIC, Extra Large Type 1, Large Type 3R Hinge Cover, Large Type 3R Lift Off, 2-Door Wall Mount, and Type 4X Single Door enclosures.

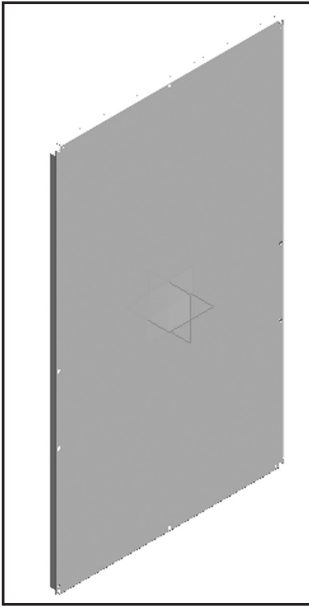
CONSTRUCTION - Fabricated from 12 gauge carbon steel. Panels have formed flanges on all four sides when either Height or Width is greater than or equal to 18".

FINISH - White polyester powder coat finish over cleaned phosphatized surfaces.

OPTIONS - Schaefer's Electrical Enclosures, Inc. can modify standard sub panels according to your specifications. Sizes and many more options are available. Quotations upon request.

Catalog Number	Sub Panel Size H x W x D (inches)	Shpg. Wt.
SPP-1224	9 x 21	7
SPP-1612	13 x 9	3
SPP-1616	13 x 13	5
SPP-2012	17 x 9	5
SPP-2016	17 x 13	6
SPP-2020	17 x 17	9
SPP-2416	21 x 13	10
SPP-2420	21 x 17	12
SPP-2424	21 x 21	15
SPP-3016	27 x 13	13
SPP-3020	27 x 17	16
SPP-3024	27 x 21	19
SPP-3030	27 x 27	24
SPP-3624	33 x 21	23
SPP-3630	33 x 27	29
SPP-3636	33 x 33	36
SPP-4224	39 x 21	29
SPP-4230	39 x 27	36
SPP-4236	39 x 33	42
SPP-4242	39 x 39	49
SPP-4248	39 x 45	56
SPP-4824	45 x 21	31
SPP-4830	45 x 27	40
SPP-4836	45 x 33	48
SPP-4848	45 x 45	65
SPP-6030	57 x 27	50
SPP-6036	57 x 33	61
SPP-6048	57 x 45	82
SPP-6060	57 x 57	103
SPP-7230	69 x 27	58
SPP-7236	69 x 33	71
SPP-4260	39 x 57	





Elite Series Sub Panels

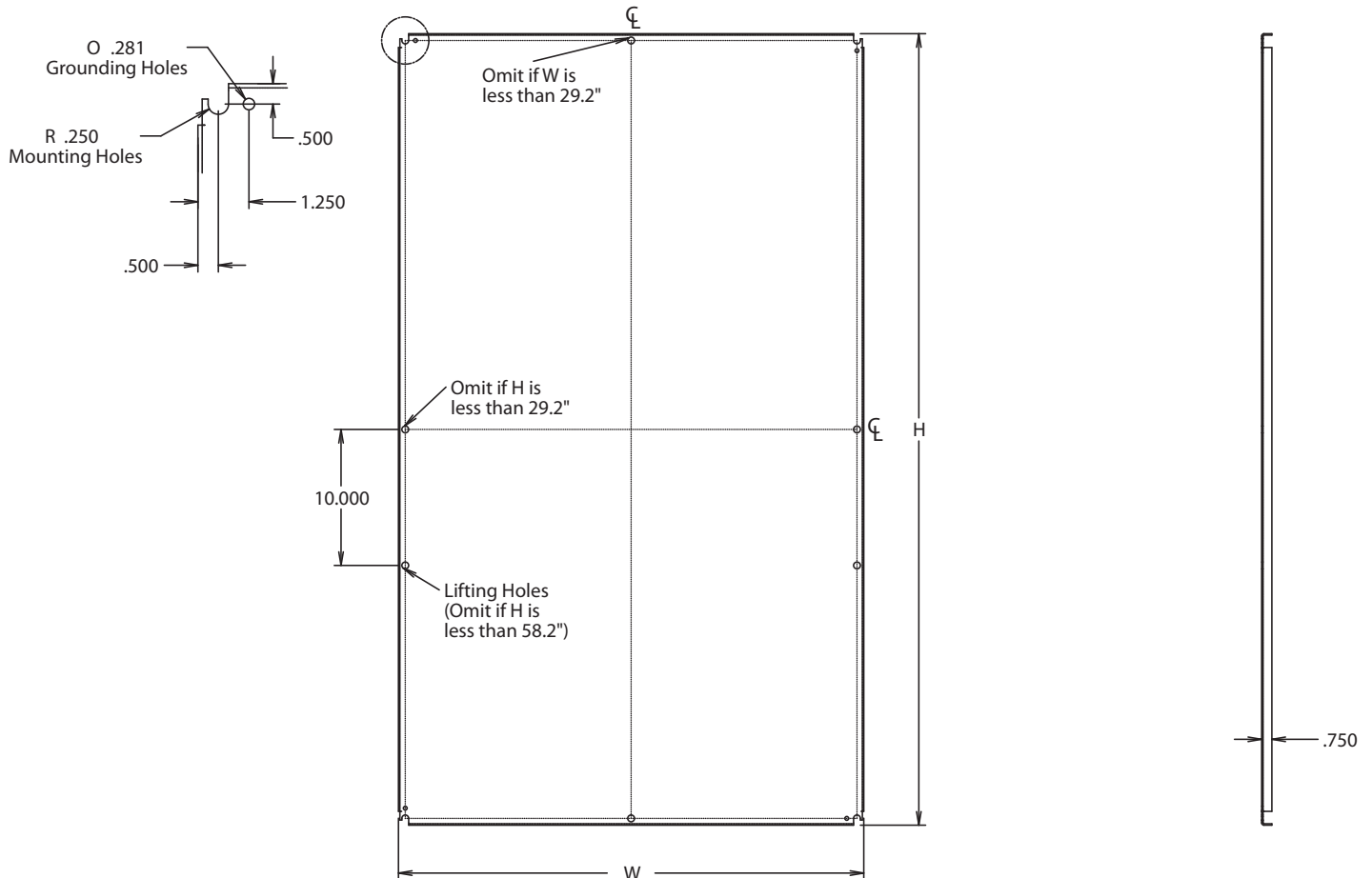
APPLICATIONS - For use in Elite Series enclosures.

CONSTRUCTION - Fabricated from 14 or 12 gauge carbon steel. Panels have formed flanges on all four sides when either Height or Width is equal to or greater than 22.2".

FINISH - White polyester powder coat finish over cleaned phosphatized surfaces.

OPTIONS - Schaefer's Electrical Enclosures, Inc. can modify standard sub panels according to your specifications. Sizes and many more options are available. Quotations upon request.

Catalog Number	Sub Panel Size H x W x D (inches)	Gauge	Shpg. Wt.
ES-P1212	10.2 x 10.2	14	3
ES-P1224	10.2 x 22.2	14	6
ES-P1412	12.2 x 10.2	14	3
ES-P1610	14.2 x 8.2	14	3
ES-P1612	14.2 x 10.2	14	4
ES-P1614	14.2 x 12.2	14	5
ES-P1616	14.2 x 14.2	12	7
ES-P2012	18.2 x 10.2	12	6
ES-P2016	18.2 x 14.2	12	8
ES-P2020	18.2 x 18.2	12	10
ES-P2416	22.2 x 14.2	12	11
ES-P2420	22.2 x 18.2	12	14
ES-P2424	22.2 x 22.2	12	17
ES-P3016	28.2 x 14.2	12	14
ES-P3020	28.2 x 18.2	12	17
ES-P3024	28.2 x 22.2	12	18
ES-P3030	28.2 x 28.2	12	26
ES-P3624	34.2 x 22.2	12	24
ES-P3630	34.2 x 28.2	12	31
ES-P3636	34.2 x 34.2	12	35
ES-P4224	40.2 x 22.2	12	29
ES-P4230	40.2 x 28.2	12	36
ES-P4236	40.2 x 34.2	12	43
ES-P4824	46.2 x 22.2	12	32
ES-P4830	46.2 x 28.2	12	42
ES-P4836	46.2 x 34.2	12	50
ES-P6030	58.2 x 28.2	12	52
ES-P6036	58.2 x 34.2	12	58





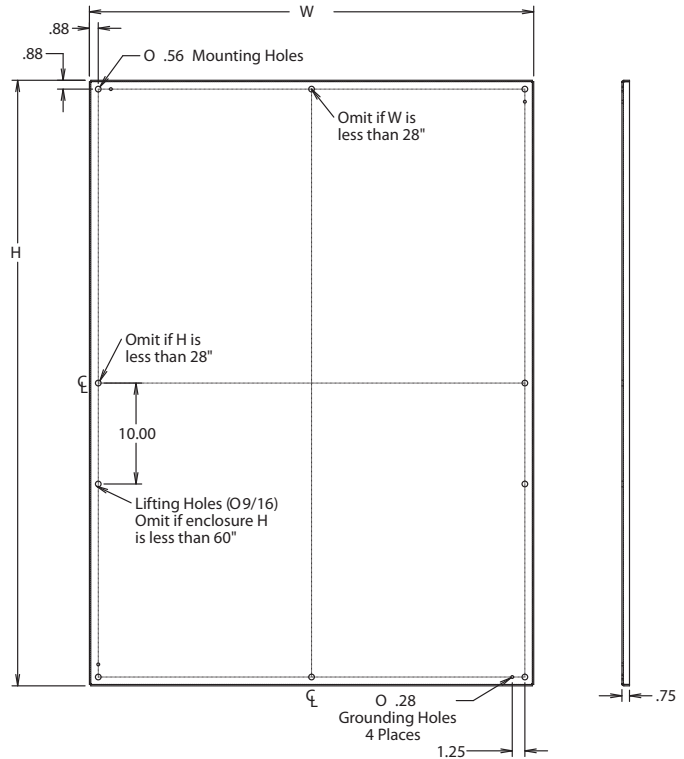
Freestanding Sub Panels

APPLICATIONS - For use in Type 12 and Type 4 Freestanding Single Door and Type 12 Double Door Freestanding enclosures.

CONSTRUCTION - Fabricated from 12 or 10 gauge carbon steel.

FINISH - White polyester powder coat finish over cleaned phosphatized surfaces.

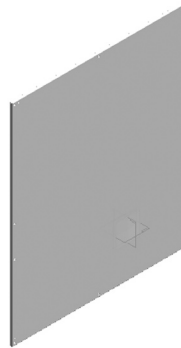
OPTIONS - Schaefer's Electrical Enclosures, Inc. can modify standard sub panels according to your specifications. Sizes and many more options are available. Quotations upon request.



Notes:

1. Panels mount using panel mounting brackets.

Catalog Number	Sub Panel Size H x W x D (inches)	Shpg. Wt.
Single Door - Full Panels		
SP-60P24F1	48 x 20	52
SP-72P24F1	60 x 20	65
SP-90P24F1	78 x 20	80
SP-72P30F1	60 x 26	74
SP-90P30F1	78 x 26	92
SP-60P36F1	48 x 32	78
SP-72P36F1	60 x 32	80
SP-90P36F1	78 x 32	108
Single Door - Half Panels		
SP-60P24F2	24.87 x 20	26
SP-72P24F2	30.87 x 20	32
SP-90P24F2	39.87 x 20	41
SP-72P30F2	30.87 x 26	41
SP-90P30F2	39.87 x 26	53
SP-60P36F2	24.87 x 32	41
SP-72P36F2	30.87 x 32	50
SP-90P36F2	39.87 x 32	65
Double Door - Full Panels		
SP-60P48F1	48 x 44	108
SP-72P48F1	60 x 44	131
SP-72P60F1	60 x 56	145
SP-72P72F1	60 x 68	187
SP-90P48F1	78 x 44	165
SP-90P60F1	78 x 56	210
SP-90P72F1	78 x 68	238
Double Door - Half Panels		
SP-60P48F2	24.87 x 44	60
SP-72P48F2	30.87 x 44	74
SP-72P60F2	30.87 x 56	94
SP-72P72F2	30.87 x 68	113
SP-90P48F2	39.87 x 44	94
SP-90P60F2	39.87 x 56	120
SP-90P72F2	39.87 x 68	145



Floor Mount Sub Panels

APPLICATIONS - For use in Type 4 Double Door Floor Mount, Type 12 Double Door Floor Mount, and Type 12 Double Door Extra Volume enclosures.

CONSTRUCTION - Fabricated from 10 gauge carbon steel.

FINISH - White polyester powder coat finish over cleaned phosphatized surfaces.

OPTIONS - Schaefer's Electrical Enclosures, Inc. can modify standard sub panels according to your specifications. Sizes and many more options are available. Quotations upon request.

Catalog Number	Sub Panel Size H x W x D (inches)	Shpg. Wt.
SPDD-5442	50 x 38	79
SPDD-6048	56 x 44	103
SPDD-6060	56 x 56	128
SPDD-7260	68 x 56	151
SPDD-7272	68 x 68	184



Freestanding Side Sub Panels

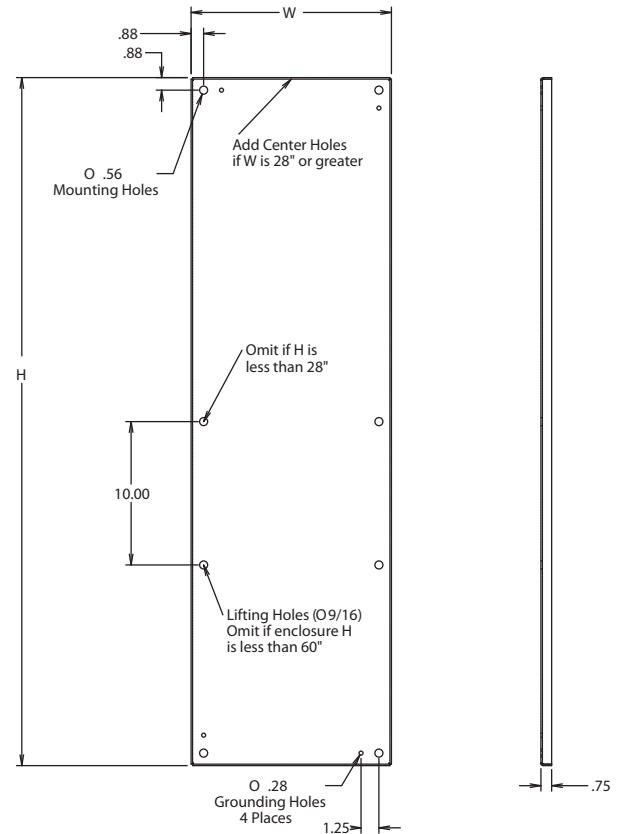
APPLICATIONS - For use in Type 12 and Type 4 Freestanding Single Door and Type 12 Double Door Freestanding enclosures.

CONSTRUCTION - Fabricated from 12 gauge carbon steel.

FINISH - White polyester powder coat finish over cleaned phosphatized surfaces.

OPTIONS - Schaefer's Electrical Enclosures, Inc. can modify standard sub panels according to your specifications. Sizes and many more options are available. Quotations upon request.

Catalog Number	Sub Panel Size H x W x D (inches)	Shpg. Wt.
SP-60SMP14	48 x 14	24
SP-60SMP20	48 x 20	34
SP-72SMP14	60 x 14	28
SP-72SMP20	60 x 20	42
SP-72SMP26	60 x 26	54
SP-72SMP32	60 x 32	66
SP-90SMP14	78 x 14	40
SP-90SMP16	78 x 16	45
SP-90SMP20	78 x 20	55
SP-90SMP26	78 x 26	71
SP-90SMP32	78 x 32	86



Notes:

1. Panels mount using panel mounting brackets.

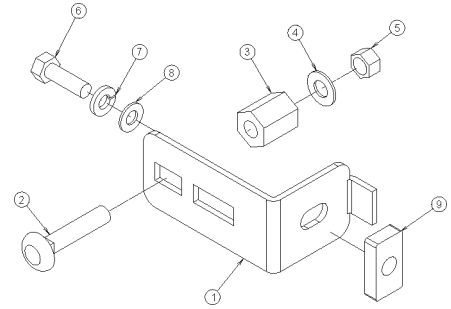
Free Standing Enclosure Clamping Nuts

These nuts are used to attach sub-panels and rack angles to the horizontal mounting channels and are ordered separately if mounting other equipment to the mounting channels.

Catalog Number	Description
G-1034	Clamping Nut

Sub Panel Mounting Bracket Kit for Freestanding Enclosures

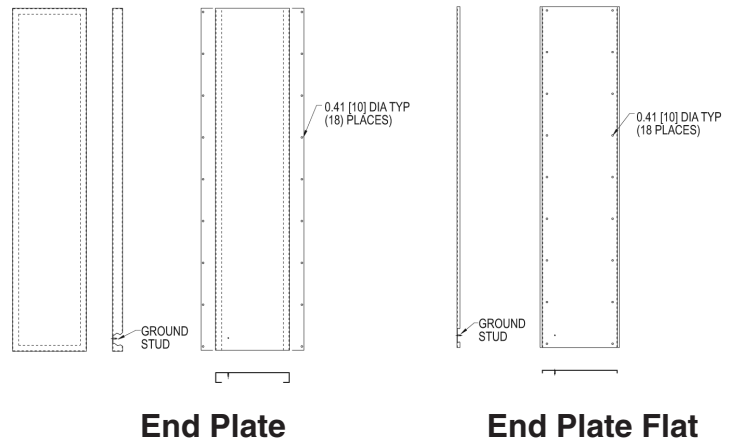
- Designed to allow customer to install sub panels on existing unistrut in freestanding enclosures.
- Fabricated from 10 gauge carbon steel with a white polyester powder finish.
- Includes all installation hardware.
- Custom enclosures may require custom brackets.



Catalog Number	Description
SP-SUBBRKT-B	Sub Panel Mounting Bracket Freestanding

Modular Enclosure End Plates

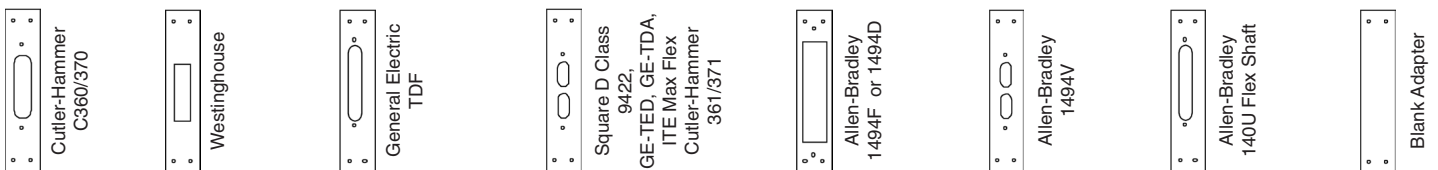
Catalog Number	Product Size H x D (inches)	Description
SP-MOD8418EP	84 x 18	Formed with gasket & bolts
SP-MOD8424EP	84 x 24	Formed with gasket & bolts
SP-MOD8418FEP	84 x 18	Flat with gasket & bolts
SP-MOD8424FEP	84 x 24	Flat with gasket & bolts
SP-MOD8418GK	84 x 18	Gasket kit with bolts
SP-MOD8424GK	84 x 24	Gasket kit with bolts

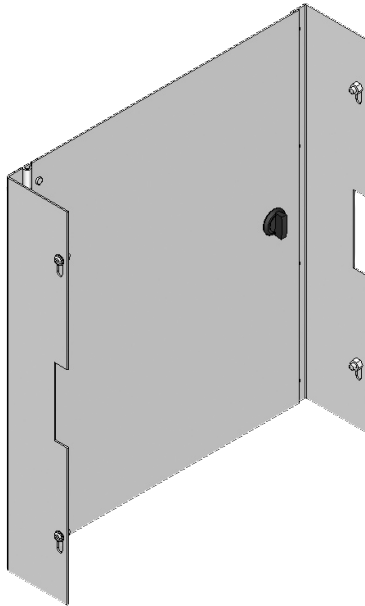


HEAVY DUTY ADAPTER KITS FOR HEAVY DUTY DISCONNECTS

Catalog No.	Description
ADPHD-SQ	Square D, GE -TDA, ITE Max Flex , ABB, Siemens FHOH, Westinghouse Flex Shaft
ADPHD-WH	Westinghouse
ADPHD-CH	Cutler Hammer C360/C370
ADPHD-GE	General Electric GE-TDF
ADPHD-ABV	Allen Bradley 1494V, 30/200 Amp
ADPHD-AMT	Westinghouse AMT
ADPHD-BLK	Blank
ADPHD-ABV-400	Allen Bradley 1494V/400
ADPHD-ITE	ITE
ADPHD-CHF	Cutler Hammer Flex Shaft
ADPHD-ABFLEX	Allen-Bradley 140U Flex Shaft
ADPHD-AB*	Allen Bradley 1494F or D

* Adapter plate not required for 200 Amp. 1494F. Reference instruction sheet provided with the kit.





SPSW1 - Economy Swing Panel Kit

APPLICATIONS - Allows for additional component mounting on a 90 degree swing panel.

Kit includes:

- All hardware for installation by customer
- Brackets (fabricated from 12 gauge carbon steel).
- Panel (fabricated from 12 gauge carbon steel).
- Quarterturn Wing Latch(es)
- Bolt on Continuous Hinge

FINISH - White polyester powder coat over cleaned phosphatized surfaces. Aluminum kits have a polished #4 finish.

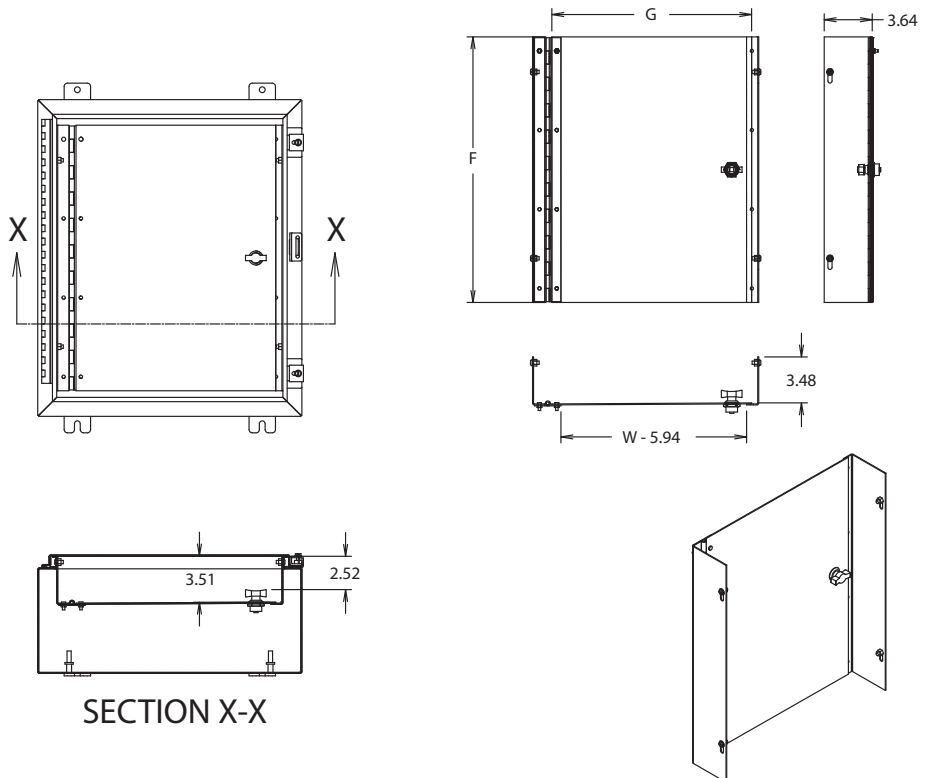
OPTIONS - Schaefer's Electrical Enclosures, Inc. can modify standard enclosures to your specifications. Holes, cutouts, sizes, materials, and many more options are available. Quotations upon request.

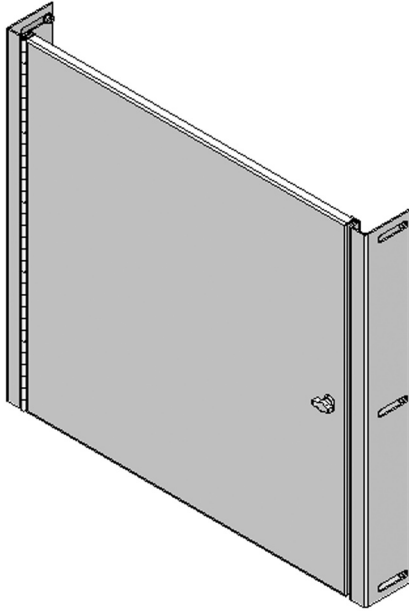
NOTE - SPSW1's are for installation in SPN4, SPN12, and SPLRHC only. Installation by Schaefer's Electrical Enclosures, Inc. will require an extra installation fee. (see price list) Some assembly required.

Elite	Catalog Number		Fits Enclosures Size H x W	Panel Size F x G ++ (inches)	Shpg. Wt.
	SPN4, SPN12	3 R			
SPSW1E-1224	SPSW1N-1224	SPSW1R-1224	12 x 24	8.13 x 19.13	10
SPSW1E-1612	SPSW1N-1612	SPSW1R-1612	16 x 12	12.13 x 7.13	8
SPSW1E-1616	SPSW1N-1616	SPSW1R-1616	16 x 16	12.13 x 11.13	10
SPSW1E-1620	SPSW1N-1620	SPSW1R-1620	16 x 20	12.13 x 15.13	11
SPSW1E-2012	SPSW1N-2012	SPSW1R-2012	20 x 12	16.13 x 7.13	9
SPSW1E-2016	SPSW1N-2016	SPSW1R-2016	20 x 16	16.13 x 11.13	11
SPSW1E-2020	SPSW1N-2020	SPSW1R-2020	20 x 20	16.13 x 15.13	14
SPSW1E-2024	SPSW1N-2024	SPSW1R-2024	20 x 24	16.13 x 19.13	18
SPSW1E-2412	SPSW1N-2412	SPSW1R-2412	24 x 12	20.13 x 7.13	10
SPSW1E-2416	SPSW1N-2416	SPSW1R-2416	24 x 16	20.13 x 11.13	13
SPSW1E-2420	SPSW1N-2420	SPSW1R-2420	24 x 20	20.13 x 15.13	18
SPSW1E-2424	SPSW1N-2424	SPSW1R-2424	24 x 24	20.13 x 19.13	22
SPSW1E-2430	SPSW1N-2430	SPSW1R-2430	24 x 30	20.13 x 25.13	28
SPSW1E-3016	SPSW1N-3016	SPSW1R-3016	30 x 16	26.13 x 11.13	19
SPSW1E-3020	SPSW1N-3020	SPSW1R-3020	30 x 20	26.13 x 15.13	23
SPSW1E-3024	SPSW1N-3024	SPSW1R-3024	30 x 24	26.13 x 19.13	28
SPSW1E-3030	SPSW1N-3030	SPSW1R-3030	30 x 30	26.13 x 25.13	35
SPSW1E-3036	SPSW1N-3036	SPSW1R-3036	30 x 36	26.13 x 31.13	42
SPSW1E-3624	SPSW1N-3624	SPSW1R-3624	36 x 24	32.13 x 19.13	34
SPSW1E-3630	SPSW1N-3630	SPSW1R-3630	36 x 30	32.13 x 25.13	42
SPSW1E-3636	SPSW1N-3636	SPSW1R-3636	36 x 36	32.13 x 31.13	50
SPSW1E-4224	SPSW1N-4224	SPSW1R-4224	42 x 24	38.13 x 19.13	39
SPSW1E-4230	SPSW1N-4230	SPSW1R-4230	42 x 30	38.13 x 25.13	49
SPSW1E-4236	SPSW1N-4236	SPSW1R-4236	42 x 36	38.13 x 31.13	59
SPSW1E-4824	SPSW1N-4824	SPSW1R-4824	48 x 24	44.13 x 19.13	45
SPSW1E-4830	SPSW1N-4830	SPSW1R-4830	48 x 30	44.13 x 25.13	56
SPSW1E-4836	SPSW1N-4836	SPSW1R-4836	48 x 36	44.13 x 31.13	67
SPSW1E-6036	SPSW1N-6036	SPSW1R-6036	60 x 36	56.13 x 31.13	84
SPSW1E-7230	SPSW1N-7230	SPSW1R-7230	72 x 30	68.13 x 25.13	84

NOTE: Weights for Aluminum Swing panels are not listed. Please contact Schaefer's Electrical Enclosures, Inc. for Weight.

++ Panel sizes for SPSW2E and SPSW2R versions will be slightly larger.





SPSW2 - Semi-Adjustable Swing Panel Kit

APPLICATIONS - Allows for additional component mounting on a 90 degree swing panel.

Kit includes:

- Brackets with 3" Slots for semi-adjustability (fabricated from 12 gauge carbon steel).
- Panel (fabricated from 12 gauge carbon steel).
- Quarterturn Wing Latch(es)
- Bolt on Continuous Hinge

FINISH - White polyester powder coat over cleaned phosphatized surfaces. Aluminum kits have a polished #4 finish.

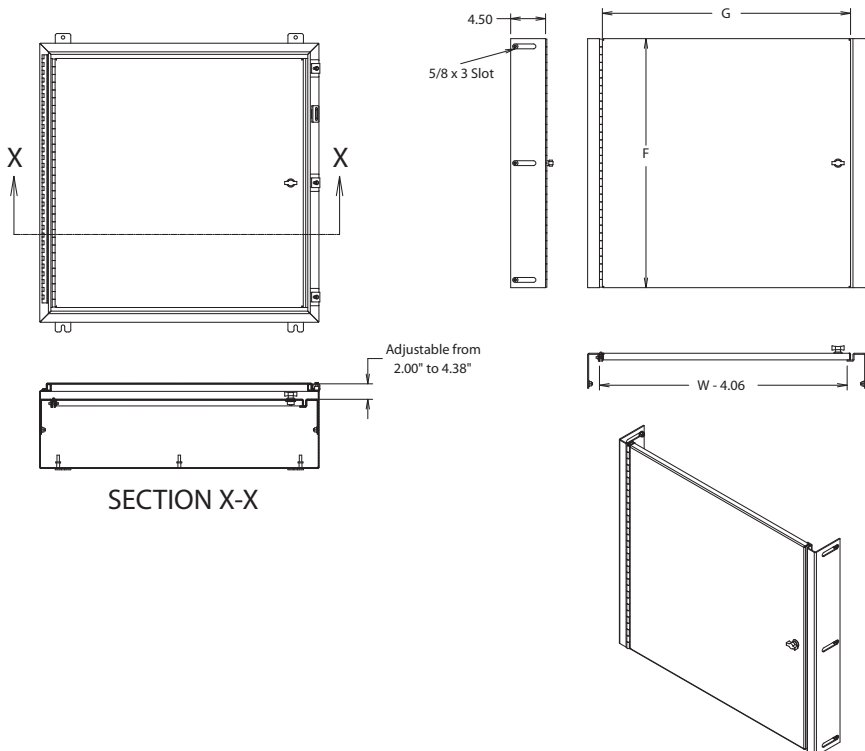
OPTIONS - Schaefer's Electrical Enclosures, Inc. can modify standard enclosures to your specifications. Holes, cutouts, sizes, materials, and many more options are available. Quotations upon request.

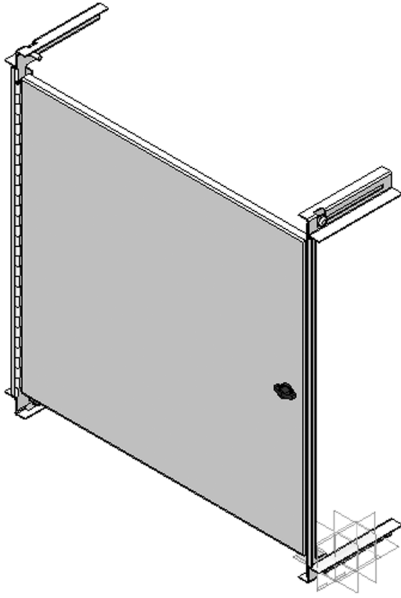
NOTE - SPSW2's are for installation in SPN4, SPN12, ES, and SPLRHC only. Enclosure must be studded or have holes drilled. Customer can order these and use them in existing enclosures. The customer will have to drill holes in the sides of the enclosure to mount. Installation by Schaefer's Electrical Enclosures, Inc. will require an extra installation fee. (see price list) Some assembly required.

Elite	Catalog Number		Fits Enclosures	Panel Size F x G ++ (inches)	Shpg. Wt.
	SPN4, SPN12	3 R			
SPSW2E-1224	SPSW2N-1224	SPSW2R-1224	12 X 24	8.13 x 19.13	12
SPSW2E-1612	SPSW2N-1612	SPSW2R-1612	16 X 12	12.13 x 7.13	8
SPSW2E-1616	SPSW2N-1616	SPSW2R-1616	16 X 16	12.13 x 11.13	11
SPSW2E-1620	SPSW2N-1620	SPSW2R-1620	16 X 20	12.13 x 15.13	14
SPSW2E-2012	SPSW2N-2012	SPSW2R-2012	20 X 12	16.13 x 7.13	10
SPSW2E-2016	SPSW2N-2016	SPSW2R-2016	20 X 16	16.13 x 11.13	14
SPSW2E-2020	SPSW2N-2020	SPSW2R-2020	20 X 20	16.13 x 15.13	18
SPSW2E-2024	SPSW2N-2024	SPSW2R-2024	20 X 24	16.13 x 19.13	22
SPSW2E-2412	SPSW2N-2412	SPSW2R-2412	24 X 12	20.13 x 7.13	12
SPSW2E-2416	SPSW2N-2416	SPSW2R-2416	24 X 16	20.13 x 11.13	17
SPSW2E-2420	SPSW2N-2420	SPSW2R-2420	24 X 20	20.13 x 15.13	22
SPSW2E-2424	SPSW2N-2424	SPSW2R-2424	24 X 24	20.13 x 19.13	26
SPSW2E-2430	SPSW2N-2430	SPSW2R-2430	24 X 30	20.13 x 25.13	33
SPSW2E-3016	SPSW2N-3016	SPSW2R-3016	30 X 16	26.13 x 11.13	22
SPSW2E-3020	SPSW2N-3020	SPSW2R-3020	30 X 20	26.13 x 15.13	28
SPSW2E-3024	SPSW2N-3024	SPSW2R-3024	30 X 24	26.13 x 19.13	33
SPSW2E-3030	SPSW2N-3030	SPSW2R-3030	30 X 30	26.13 x 25.13	41
SPSW2E-3036	SPSW2N-3036	SPSW2R-3036	30 X 36	26.13 x 31.13	49
SPSW2E-3624	SPSW2N-3624	SPSW2R-3624	36 X 24	32.13 x 19.13	40
SPSW2E-3630	SPSW2N-3630	SPSW2R-3630	36 X 30	32.13 x 25.13	49
SPSW2E-3636	SPSW2N-3636	SPSW2R-3636	36 X 36	32.13 x 31.13	59
SPSW2E-4224	SPSW2N-4224	SPSW2R-4224	42 X 24	38.13 x 19.13	46
SPSW2E-4230	SPSW2N-4230	SPSW2R-4230	42 X 30	38.13 x 25.13	58
SPSW2E-4236	SPSW2N-4236	SPSW2R-4236	42 X 36	38.13 x 31.13	70
SPSW2E-4824	SPSW2N-4824	SPSW2R-4824	48 X 24	44.13 x 19.13	53
SPSW2E-4830	SPSW2N-4830	SPSW2R-4830	48 X 30	44.13 x 25.13	66
SPSW2E-4836	SPSW2N-4836	SPSW2R-4836	48 X 36	44.13 x 31.13	79
SPSW2E-6036	SPSW2N-6036	SPSW2R-6036	60 X 36	56.13 x 31.13	99
SPSW2E-7230	SPSW2N-7230	SPSW2R-7230	72 X 30	68.13 x 25.13	99

NOTE: Weights for Aluminum Swing panels are not listed. Please contact Schaefer's Electrical Enclosures, Inc. for Weight.

++ Panel sizes for SPSW2E and SPSW2R versions will be slightly larger.





SPSW3 – Fully Adjustable Swing Panel Kit

APPLICATIONS - Allows for additional component mounting on a 90 degree swing panel.

Kit includes:

- Brackets (fabricated from 12 gauge carbon steel).
- Panel (fabricated from 12 gauge carbon steel).
- Quarterturn Wing Latch(es)
- Bolt on Continuous Hinge

FINISH - White polyester powder coat over cleaned phosphatized surfaces. Aluminum kits have a polished #4 finish.

OPTIONS - Schaefer's Electrical Enclosures, Inc. can modify standard enclosures to your specifications. Holes, cutouts, sizes, materials, and many more options are available. Quotations upon request.

NOTE - Must order the appropriate **SPSW3B** (according to the depth of enclosure) for full adjustability. These brackets will be welded in each corner of enclosure and the Swing panel kit will be attached to them. If installing with a door stop kit, holes must be drilled in Swing panel flange.

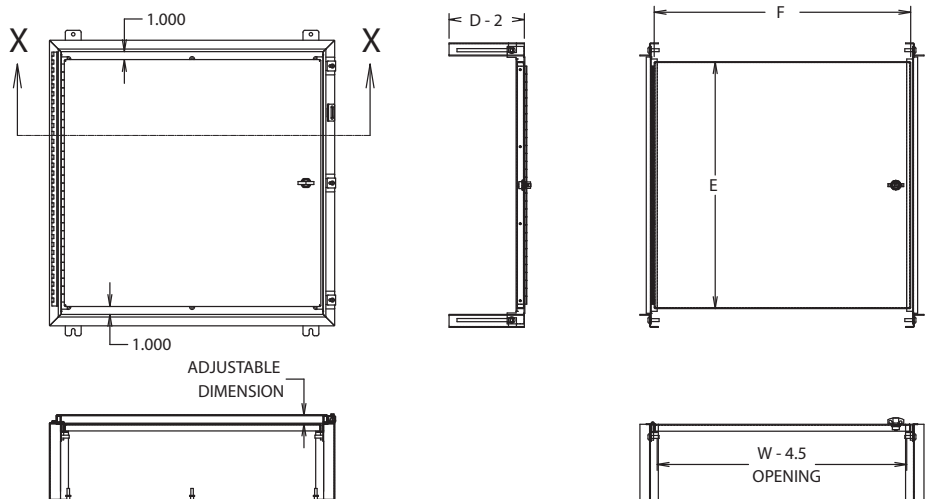
SPSW3's are for installation in SPN4, SPN12, ES, and SPLRHC only. Installation by Schaefer's Electrical Enclosures, Inc. will require an extra installation fee. (see price list) Some assembly required.

Catalog Number		Fits Enclosure	Panel Size	Shpg. Wt.
Carbon Steel # ++	Aluminum # ++	Size H x W	F x G (inches)	
SPSW3-1224	SPSW3AL-1224	12 x 24	7.13 x 20.38	14
SPSW3-1612	SPSW3AL-1612	16 x 12	11.13 x 8.38	9
SPSW3-1616	SPSW3AL-1616	16 x 16	11.13 x 12.38	12
SPSW3-1620	SPSW3AL-1620	16 x 20	11.13 x 16.38	15
SPSW3-2012	SPSW3AL-2012	20 x 12	15.13 x 8.38	11
SPSW3-2016	SPSW3AL-2016	20 x 16	15.13 x 12.38	15
SPSW3-2020	SPSW3AL-2020	20 x 20	15.13 x 16.38	19
SPSW3-2024	SPSW3AL-2024	20 x 24	15.13 x 20.38	23
SPSW3-2412	SPSW3AL-2412	24 x 12	19.13 x 8.38	14
SPSW3-2416	SPSW3AL-2416	24 x 16	19.13 x 12.38	19
SPSW3-2420	SPSW3AL-2420	24 x 20	19.13 x 16.38	23
SPSW3-2424	SPSW3AL-2424	24 x 24	19.13 x 20.38	27
SPSW3-2430	SPSW3AL-2430	24 x 30	19.13 x 26.38	34
SPSW3-3016	SPSW3AL-3016	30 x 16	25.13 x 12.38	23
SPSW3-3020	SPSW3AL-3020	30 x 20	25.13 x 16.38	28
SPSW3-3024	SPSW3AL-3024	30 x 24	25.13 x 20.38	34
SPSW3-3030	SPSW3AL-3030	30 x 30	25.13 x 26.38	43
SPSW3-3036	SPSW3AL-3036	30 x 36	25.13 x 32.38	52
SPSW3-3624	SPSW3AL-3624	36 x 24	31.13 x 20.38	42
SPSW3-3630	SPSW3AL-3630	36 x 30	31.13 x 26.38	52
SPSW3-3636	SPSW3AL-3636	36 x 36	31.13 x 32.38	62
SPSW3-4224	SPSW3AL-4224	42 x 24	37.13 x 20.38	48
SPSW3-4230	SPSW3AL-4230	42 x 30	37.13 x 26.38	60
SPSW3-4236	SPSW3AL-4236	42 x 36	37.13 x 32.38	72
SPSW3-4824	SPSW3AL-4824	48 x 24	43.13 x 20.38	55
SPSW3-4830	SPSW3AL-4830	48 x 30	43.13 x 26.38	69
SPSW3-4836	SPSW3AL-4836	48 x 36	43.13 x 32.38	83
SPSW3-6036	SPSW3AL-6036	60 x 36	55.13 x 32.38	104
SPSW3-7230	SPSW3AL-7230	72 x 30	67.13 x 26.38	104

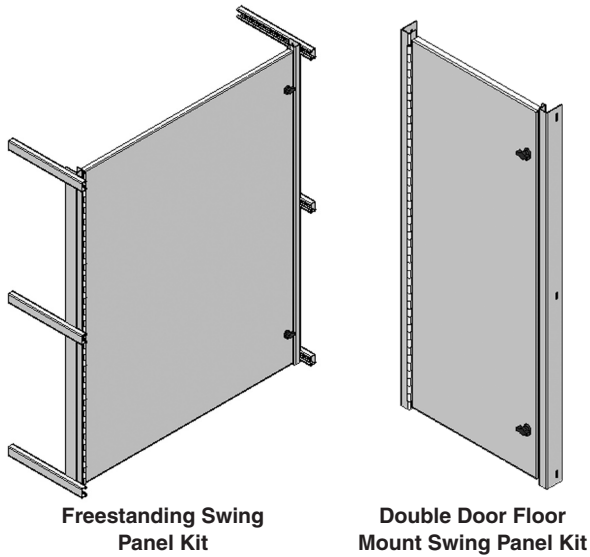
Catalog Number	Enclosure Depth	Bracket Length	Shpg. Wt.
Brackets for the Swing Panel Kits			
SPSWB3-8	8	6	5
SPSWB3-10	10	8	6
SPSWB3-12	12	10	7
SPSWB3-16	16	14	8
SPSWB3-18	18	16	9
SPSWB3-20	20	18	10
SPSWB3-24	24	22	12

NOTE: Weights for Aluminum Swing panels are not listed. Please contact Schaefer's Electrical Enclosures, Inc. for Weight. Brackets for the Swing Panel Kits must be ordered separate based on depth of Enclosure.

++ For ES Enclosures modify the part number to have an E. (Exmaple SPSW3-30E1b). Panel sizes will vary depending on enclosure.



SECTION X-X



Catalog Number		Fits Enclosure	Panel Size	Shpg. Wt.
Carbon Steel #	Aluminum #	Size H x W	F x G (inches)	
Freestanding Swing Panel Kits				
SPSW4-60P24	SPSW4AL-60P24	60 X 24	47.75 x 18.75	48
SPSW4-60P36	SPSW4AL-60P36	60 X 36	47.75 x 30.75	72
SPSW4-60P48	SPSW4AL-60P48	60 X 48	47.75 x 42.75	96
SPSW4-72P24	SPSW4AL-72P24	72 X 24	59.75 x 18.75	58
SPSW4-72P30	SPSW4AL-72P30	72 X 30	59.75 x 24.75	72
SPSW4-72P36	SPSW4AL-72P36	72 X 36	59.75 x 30.75	86
SPSW4-72P48	SPSW4AL-72P48	72 X 48	59.75 x 42.75	128
SPSW4-72P60	SPSW4AL-72P60	72 X 60	59.75 x 54.75	160
SPSW4-72P72	SPSW4AL-72P72	72 X 72	59.75 x 66.75	192
SPSW4-90P24	SPSW4AL-90P24	90 X 24	77.75 x 18.75	72
SPSW4-90P36	SPSW4AL-90P36	90 X 36	77.75 x 30.75	120
SPSW4-90P48	SPSW4AL-90P48	90 X 48	77.75 x 42.75	160
SPSW4-90P72	SPSW4AL-90P72	90 X 72	77.75 x 66.75	240

SPSW4 – Heavy Duty Swing Panel Kit

APPLICATIONS - Allows for additional component mounting on a 90 degree swing panel.

Kit includes:

- Brackets (fabricated from 12 gauge carbon steel).
- Panel (fabricated from 12 gauge carbon steel).
- Quarterturn Wing Latch(es)
- Bolt on Continuous Hinge
- Not applicable for elite series
- Must designate if for a SS enclosure. Please designate part number with SS if for SS
- Wallmount SPN4, SPN12 order SPSW4 - HHWW

FINISH - White polyester powder coat over cleaned phosphatized surfaces. Aluminum kits have a polished #4 finish.

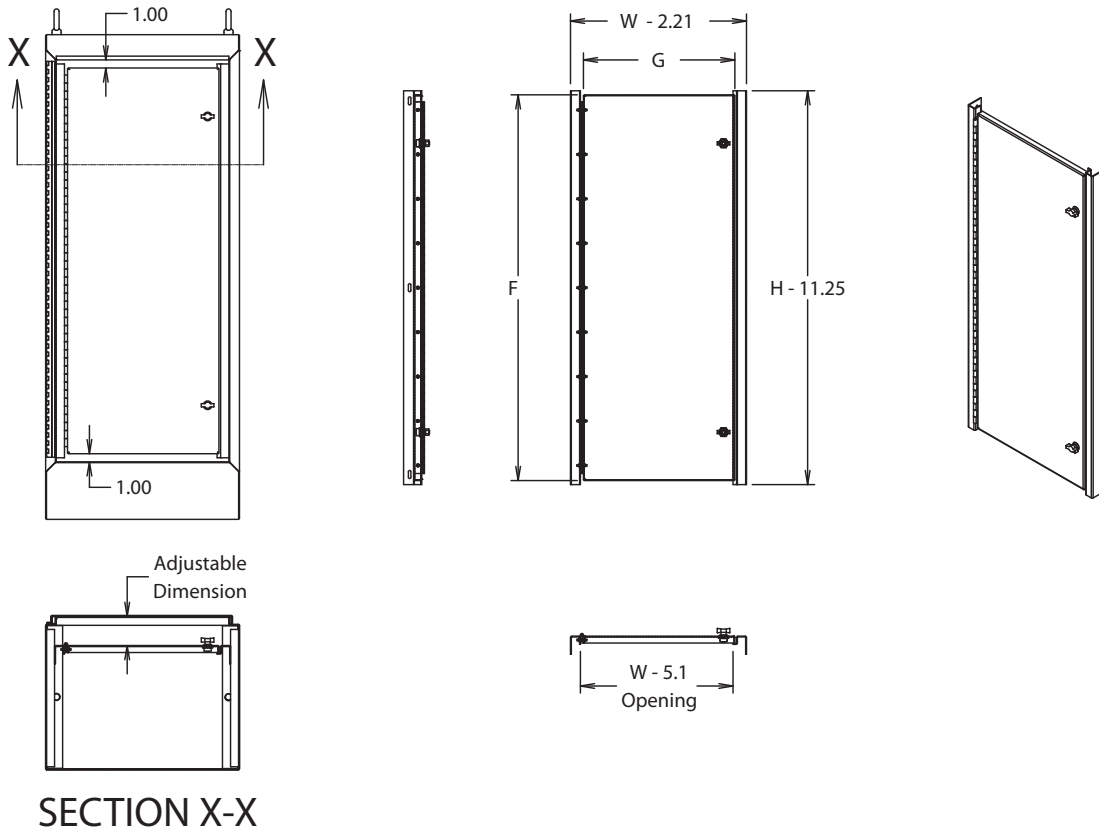
OPTIONS - Schaefer's Electrical Enclosures, Inc. can modify standard swing panels to your specifications. Holes, cutouts, sizes, materials, and many more options are available. Quotations upon request.

Installation by Schaefer's Electrical Enclosures, Inc. will require an extra installation fee. (see price list) Some assembly required.

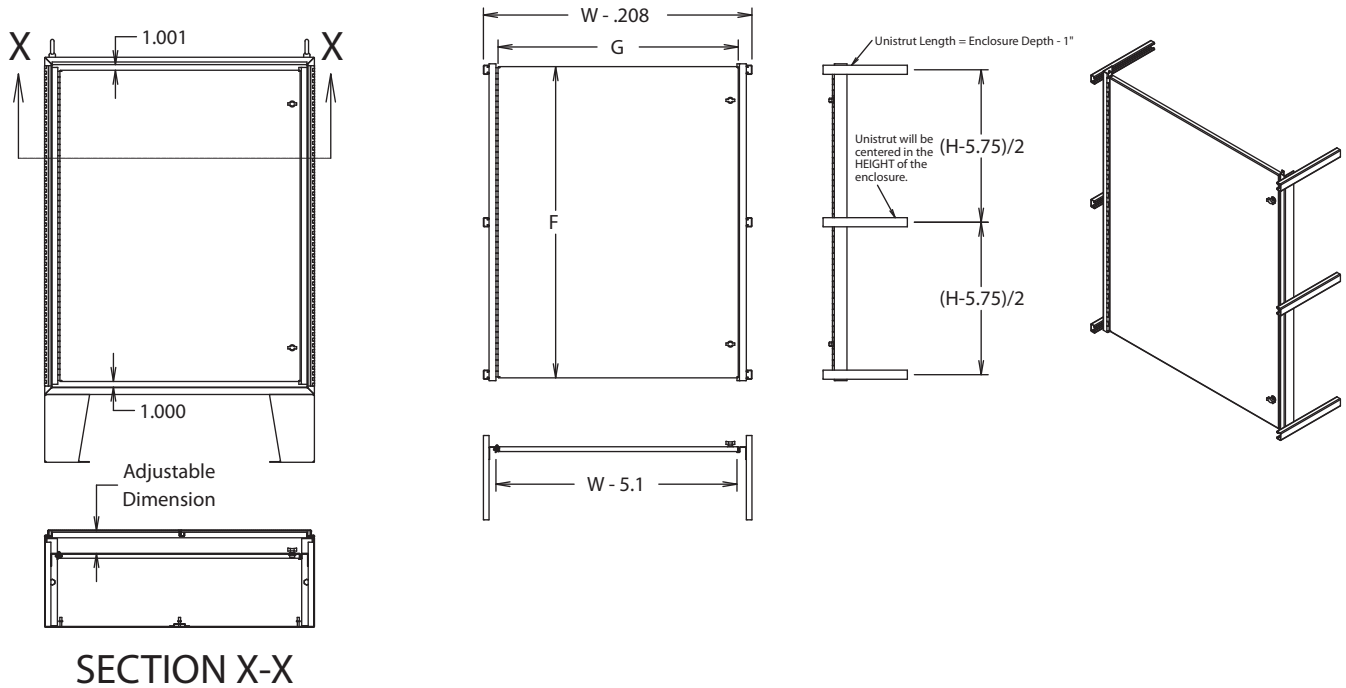
Catalog Number		Fits Enclosure	Panel Size	Shpg. Wt.
Carbon Steel #	Aluminum #	Depth	H x W (inches)	
N12 Double Door Floor Mount Swing Panel Kits				
SPSW4-5442	SPSW4AL-5442	54 X 42	49.38 X 36.75	80
SPSW4-6048	SPSW4AL-6048	60 X 48	55.38 X 42.75	100
SPSW4-6060	SPSW4AL-6060	60 X 60	55.38 X 54.75	125
SPSW4-7260	SPSW4AL-7260	72 X 60	67.38 X 54.75	150
SPSW4-7272	SPSW4AL-7272	72 X 72	67.38 X 66.75	180

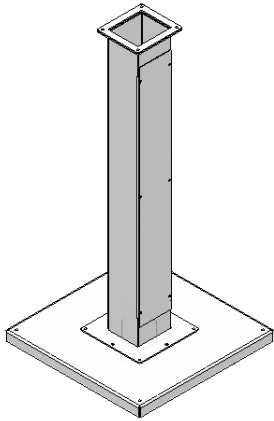
NOTE: Weights for Aluminum Swing panels are not listed. Please contact Schaefer's Electrical Enclosures, Inc. for Weight. Unistrut must be ordered separately based on depth of enclosure.

SPSW4 - Freestanding Swing Panel Kit



SPSW4 - Double Door Floor Mount Swing Panel Kit





ated from 14 gauge carbon steel with the flanges fabricated from 10 gauge carbon steel. Bases fabricated from 12 gauge.

- Two column and base sizes are available.
- Columns are flanged at each end and contain a gasketed access plate.
- Wiring connections can be made through the pedestal base.
- Gasket and screws are standard with each column.

FINISH - Standard RAL 7035 texture polyester powder coat finish on interior and exterior of enclosures. Recoatable, smooth, white or ANSI-61 gray available at no charge. Standard RAL and custom match finishes available for an additional charge, please contact Schaefer's Electrical Enclosures, Inc. for further assistance. All powder coat finishes applied over cleaned phosphatized

surfaces. **Columns and bases are ordered separately.** A 60 degree adaptor is available to convert standard pushbutton enclosures to an operator station.

OPTIONS - Schaefer's Electrical Enclosures, Inc. can modify standard enclosures or custom design enclosures according to your specifications. Holes, cutouts, sizes, materials, and many more options are available. Quotations made upon request.

INDUSTRY STANDARDS

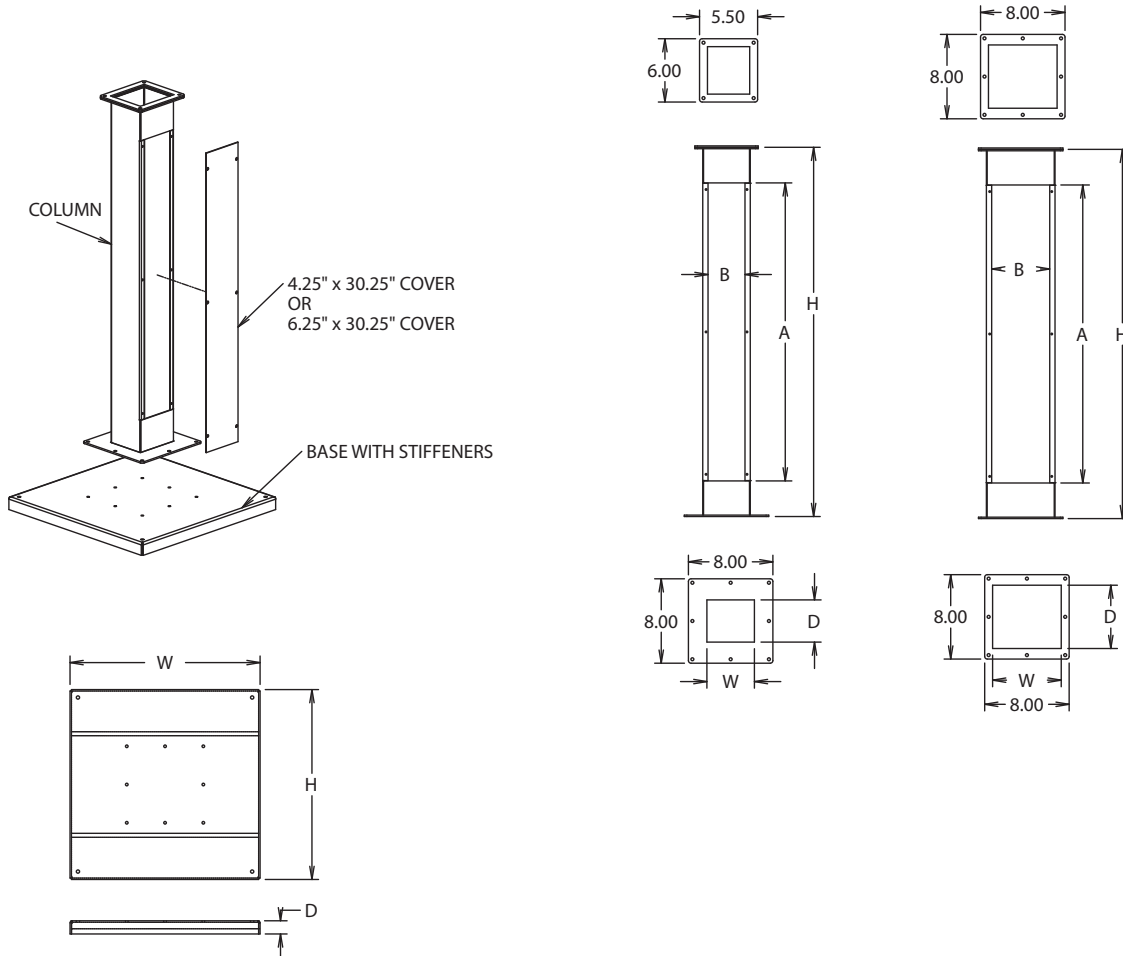
- UL 50 Listed
- UL Type 12
- CUL Type 12
- Type 12

APPLICATIONS - Designed for floor mounting of console and push button enclosures.

CONSTRUCTION - Columns are fabri-

Carbon Steel #	Catalog Number		Surface Size H x W x D (inches)	A	B	Shpg. Wt.
	304 Stainless Steel #	316 Stainless Steel #				
SP-44COL	SPSS-44COL	SPSS6-44COL	35 x 4.5 x 4	28.25	3.5	17
SP-66COL	SPSS-66COL	SPSS6-66COL	35 x 6.5 x 6	28.25	5.25	23
SP-18BASE	SPSS-18BASE	SPSS6-18BASE	18 x 18 x 1.25	-	-	18
SP-24BASE	SPSS-24BASE	SPSS6-24BASE	24 x 24 x 1.25	-	-	39

SP Column & Base





NEMA 12 SIDE MOUNT A/C UNITS								
	DTS 1200	DTS 2000	DTS 3041	DTS 3141	DTS 3241	DTS 3341	DTS 3541	DTS 3641
Cool Cap. (Btu/h*)	1200	2000	3000	4000	6000-8500	12-14000	16-18000	20-24000
Avail. Volt. (VAC)	115/230	115/230	115/230	115/230/460	115/230/460	230/460	230/460	230/460
Ext. Airflow (CFM)	230	230	88	350	580	991	1480	1612
Int. Airflow (CFM)	106	230	191	350	580	788	788	1612
Control Method	Thermostat	Thermostat	Thermostat	Controller(SC)	Controller(SC)	Controller(SC)	Controller(SC)	Controller(SC)

* See Performance Chart for full btu range

NEMA 3R SIDE MOUNT A/C UNITS						
	DTS 3061	DTS 3161	DTS 3261	DTS 3361	DTS 3561	DTS 3661
Cool Cap. (Btu/h*)	2000-3000	3000-4000	6000-8500	12-14000	16-18000	20-24000
Avail. Volt. (VAC)	115/230	115/230/460	115/230/460	230/460	230/460	230/460
Ext. Airflow (CFM)	88	350	580	991	1480	1612
Int. Airflow (CFM)	191	350	580	788	788	1612
Control Method	Thermostat	Controller(SC)	Controller(SC)	Controller(SC)	Controller(SC)	Controller(SC)

* See Performance Chart for full btu range



NEMA 4/4X SIDE MOUNT A/C UNITS						
	DTS 3081	DTS 3181	DTS 3281	DTS 3381	DTS 3581	DTS 3681
Cool Cap. (Btu/h*)	2000-3000	3000-4000	6000-8500	12-14000	16-18000	20-24000
Avail. Volt. (VAC)	115/230	115/230/460	115/230/460	230/460	230/460	230/460
Ext. Airflow (CFM)	88	350	580	991	1480	1612
Int. Airflow (CFM)	191	350	580	788	788	1612
Control Method	Thermostat	Controller(SC)	Controller(SC)	Controller(SC)	Controller(SC)	Controller(SC)

* See Performance Chart for full btu range



NEMA 12 TOP MOUNT UNITS				
	DTT 3500	DTT 4500	DTT 6500	DTT 5501
Cool Cap. (Btu/h*)	3500	4500	6500	10000
Avail. Volt. (VAC)	115/230	115/230	460	460
Ext. Airflow (CFM)	341	547	547	765
Int. Airflow (CFM)	341	547	547	547
Control Method	Thermostat	Thermostat	Thermostat	Thermostat

* See Performance Chart for full btu range



INTEGRATED COOLING SYSTEMS (ICS Series) - Recessed Side/Door Mount						
	DTI 9021	DTI 9041	DTI 9141	DTI 9341	DTI 9441	DTI 9541
Cool Cap. (Btu/h*)	1200	3000	4000	6000	8000	12000
Avail. Volt. (VAC)	115/230	115/230	115/230	230	460	460
Ext. Airflow (CFM)	65	177	177	388	588	588
Int. Airflow (CFM)	65	177	177	271	447	477
Control Method	Controller(SC)	Controller(SC)	Controller(SC)	Controller(SC)	Controller(SC)	Controller(SC)

* See Performance Chart for full btu range





APPLICATIONS

- Patented four-corner “Click & Fit” system provides a hardware free installation, creating easy assembly and a tighter seal against multiple gauge enclosure sizes
- Special Type 12 fluted filter triples time between maintenance and allows for greater CFM in dirty environments.
- Patented hinge system allows for a quick, handsfree, change. This reduces the number of lost and damaged grills vs other brands where grills are placed on the floor or carried away from the machine
- Black and Light Gray (RAL 7035) grills available.

INDUSTRY STANDARDS

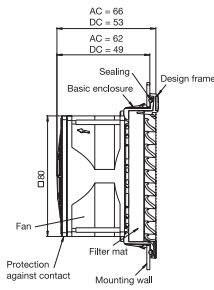
- TYPE 12, IP55
- CE, UR, cUR

Air Flow Data:	PF 11000	PF 22000	PF 32000	PF 42500	PF 43000	PF 65000	PF 66000	PF 67000
Unimpeded airflow	17 CFM	38 CFM	65 CFM	94 CFM	169 CFM	297 CFM	462 CFM	560 CFM
Capacity free-flow	10 W/K	21 W/K	37 W/K	53 W/K	188 W/K	160 W/K	218 W/K	292 W/K
Airflow in combination (Filterfan+Exhaust Filter)	11 CFM (PF 11000+ PFA 10000)	28 CFM (PF 22000+ PFA 20000)	38 CFM (PF 32000+ PFA 30000)	67 CFM (PF 42500+ PFA 40000)	142 CFM (PF 43000+ PFA 40000)	230 CFM (PF 65000+ PFA 60000)	295 CFM (PF 66000+ PFA 60000)	368 CFM (PF 67000+ PFA 60000)
Capacity in combination (Filterfan+Exhaust Filter)	6 W/K (PF 11000+ PFA 10000)	15 W/K (PF 22000+ PFA 20000)	21 W/K (PF 32000+ PFA 30000)	38 W/K (PF 42500+ PFA 40000)	69 W/K (PF 43000+ PFA 40000)	127 W/K (PF 65000+ PFA 60000)	167 W/K (PF 66000+ PFA 60000)	208 W/K (PF 67000+ PFA 60000)
Max. static pressure (Airflow = 0 m3/h)	38 Pa	57 Pa	61 Pa	49 Pa	112 Pa	74 Pa	134 Pa	187 Pa
Filtration efficiency	88%	91%	91%	91%	91%	91%	91%	91%

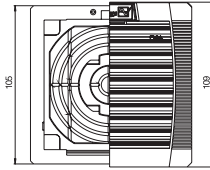
Technical Data:	AC	DC	AC	DC	AC	DC	AC	DC	AC	DC	AC	AC	AC	
Outside dimensions in mm (HxWx installation depth)	109x109x62	109x109x49	145x145x70	145x145x64	202x202x87	202x202x81	252x252x97	252x252x113	252x252x97	320x320x150	320x320x150	320x320x150	320x320x150	
Bearing type	sleeve	ball	sleeve	ball	sleeve	ball	ball	ball	ball	ball	ball	ball	ball	
Fitting position	vertical	any	vertical	any	vertical	any	any, horizontal airflow preferred							
Construction														
Weight	.55 kg	.16 kg	.7 kg	.44 kg	.87 kg	.61 kg	1.18 kg	.92 kg	1.67 kg	1.51 kg	3.2 kg	3.2 kg	3.7 kg	
Connection	terminal strip		2 wires, 310 mm long		terminal	cage clamp	cage clamp							
Rated voltage	115/230	24vdc	115/230	24 vdc	115/230	24 vdc	115/230	24 vdc	115/230	24 vdc	115/230	115/230/460	115/230/460	
Power Consumption	11W	2W	20W/18W	5W	20W/18W	5W	20W/18W	4.7W	40W/39W	12W	90W/150W	160W/150W/ (n/a)	195W/215W/ (n/a)	
Operating temperature	-15°C(-5 °F) to / bis +55°C(+ 131 °F)					-15°C(-5 °F) to / bis +55°C(+ 131 °F)								
Storage temperature	-20°C(-4 °F) to / bis +70°C(+ 158 °F)					-20°C(-4 °F) to / bis +70°C(+ 158 °F)								
Max. relative humidity	90%					90%								
Matching Exhaust Filter (Optional)	PFA 10000		PFA 20000		PFA 30000		PFA 40000		PFA 40000		PFA 60000		PFA 60000	

Mechanical data:

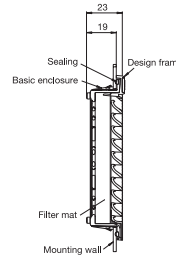
PF 11000



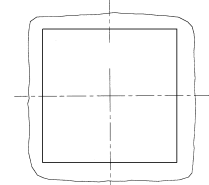
PF 11000 + PFA 10000



PFA 10000

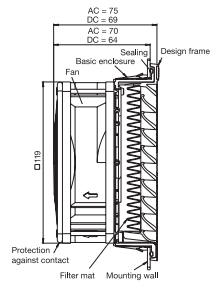


Cutout

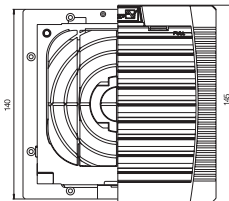


Installation cutout
92 mm x 92 mm*
standard punch size

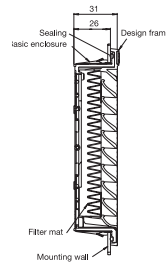
PF 22000



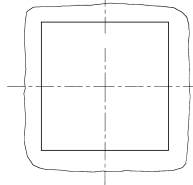
PF 22000 + PFA 20000



PFA 20000

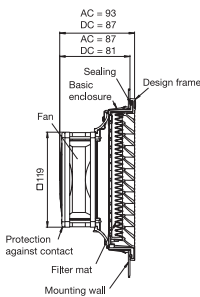


Cutout

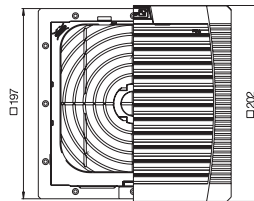


Installation cutout
125 mm x 125 mm*

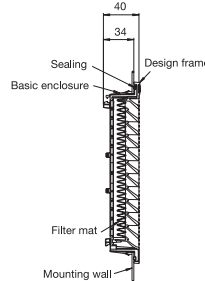
PF 32000



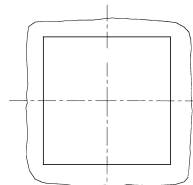
PF 32000 + PFA 30000



PFA 30000

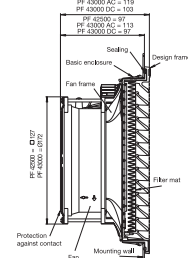


Cutout

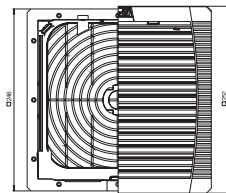


Installation cutout
177 mm x 177 mm*

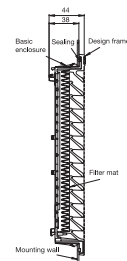
PF 42500, PF 43000



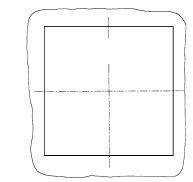
PF 42500 PF 43000, PFA 40000



PFA 40000

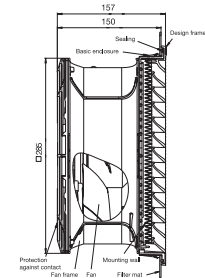


Cutout

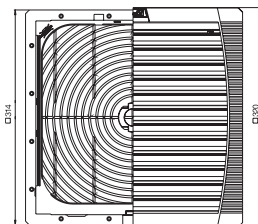


Installation cutout
223 mm x 223 mm*

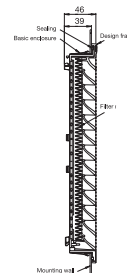
**PF 65000, PF 66000,
PF 67000**



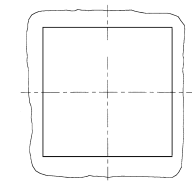
**PF 65000, PF 66000,
PF 67000 + PFA 60000**



PFA 60000



Cutout



Installation cutout
291 mm x 291 mm*



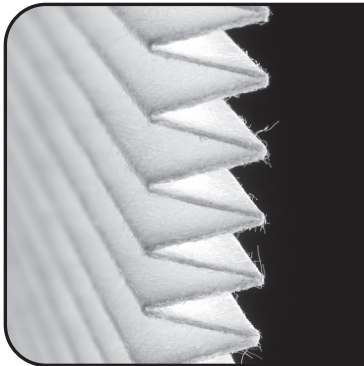
APPLICATIONS

- Patented "Click & Fit" design provides a hardware free installation!
- Poured-in foam gasket allows for quick NEMA 12 sealing against the enclosure
- Plastic made from strong (ABS-FR), self-extinguishing (UL 94 VO) material
- Black and Light Gray (RAL 7035) grills available

INDUSTRY STANDARDS

- TYPE 12
- CE, UR and cUR

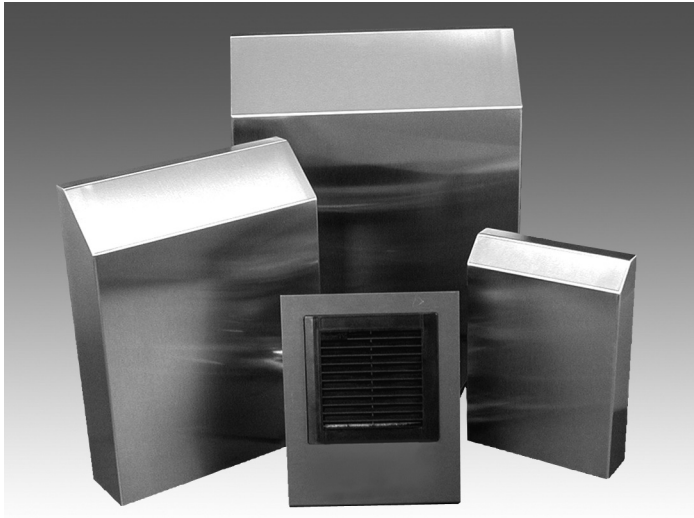
Technical data:	PFA 10000	PFA 20000	PFA 30000	PFA 40000	PFA 60000
Filtration efficiency	88%	91%	91%	91%	91%
Outside Dimension (mm)	109x109x26	145x145x26	202x202x34	252x252x38	320x320x39
Construction Material	sprayed thermoplastic (ABS-FR), self-extinguishing UL 94 VO				
Weight	.06 kg	.12 kg	.26 kg	.46 kg	.7 kg



APPLICATIONS

- Special patent pending fluted filter design increases the time between maintenance by 3X.
- Allows for greater CFM in dirty environments
- Sold in packs of 5.

Part Number	Use with 4th Gen FF
PFF 10000	PF/PFA 1XXXX
PFF 20000	PF/PFA 2XXXX
PFF 30000	PF/PFA 3XXXX
PFF 40000	PF/PFA 4XXXX
PFF 60000	PF/PFA 6XXXX



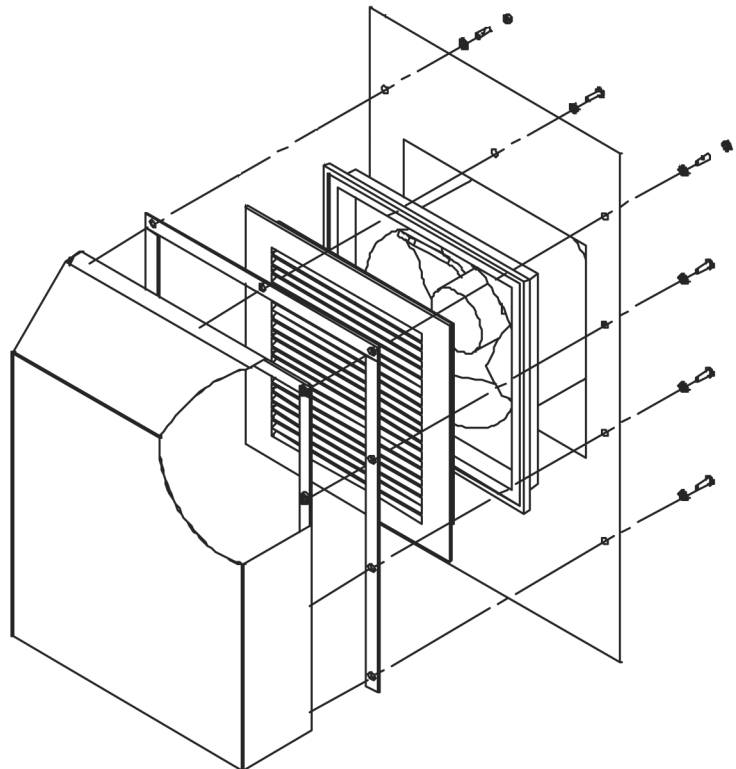
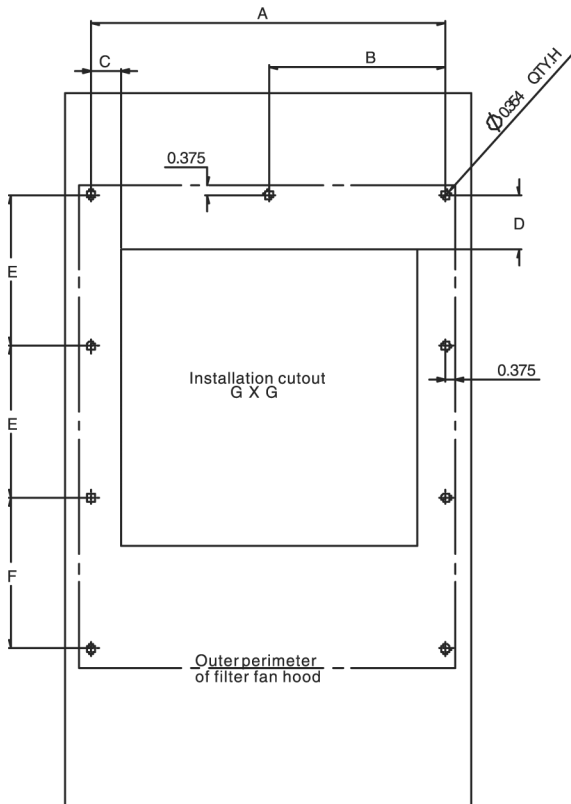
APPLICATIONS

- NEMA 3R / Outdoor Rainhoods for Standard Filterfans
- Fits sizes PF 2000, PF 25/3000 and PF 5/6000 Units
- 304 Stainless Steel Design for use on Washdown NEMA 4X enclosures
- Due to dust protection regulations, NEMA 4/4X rating on these systems is not possible
- Non-stainless, powder coated units also available

INDUSTRY STANDARDS

- NEMA Type 1, 12, 3R

Catalog Number			A	B	C	D	E	F	G	H
Carbon Steel #	304 Stainless Steel #	316 Stainless Steel #								
SPRH-2000	SPRHSS-2000	SPRHSS6-2000	6.85	-	0.97	1.48	4.75	-	4.92	6
SPRH-25/3000	SPRHSS-25/3000	SPRHSS6-25/3000	10.79	5.39	1	2.50	6.82	-	8.78	7
SPRH-5/6/7000	SPRHSS-5/6/7000	SPRHSS6-5/6/7000	13.74	6.87	1.14	2.15	5.86	5.86	11.45	9



Why Use Heaters?

Heat generated by electrical equipment operating under load will prevent the accumulation of condensation.

After the equipment has been switched off, however, it cools down and gradually adapts to the ambient temperature, thus dropping below the dew point. This is the signal that triggers the radiant heater! These sources of heat prevent the formation of condensation by raising the internal temperature a few degrees above the ambient temperature.

RADIANT HEATERS



APPLICATIONS

- FLH radiant heaters have a full range from 10W to 150W
- Use with optional FLZ 510, 520, or 541 Thermostats
- CE, UR, cUR Recognized

Part#	Description	Voltage	Mount	H(in)	W(in)	D(in)
FLH 010-MINI	Mini Radiant Heater, 10W	115-230	Din Rail	2	1.2	1.8
FLH 020-MINI	Mini Radiant Heater, 20W	115-230	Din Rail	2.8	1.2	1.8
FLH 030-MINI	Mini Radiant Heater, 30W	115-230	Din Rail	2.8	1.2	1.8
FLH 030	Radiant Heater, 30W	115-230	Din Rail	3.9	7.8	2
FLH 045	Radiant Heater, 45W	115-230	Din Rail	3.9	2.8	2
FLH 060	Radiant Heater, 60W	115-230	Din Rail	6.9	7.8	2
FLH 075	Radiant Heater, 75W	115-230	Din Rail	6.9	2.8	2
FLH 100	Radiant Heater, 100W	115-230	Din Rail	6.9	7.8	7
FLH 150	Radiant Heater, 150W	115-230	Din Rail	9.8	2.8	2

EXTRUDED FAN HEATER



APPLICATIONS

- Use with optional FLZ 510, 520, or 541 Thermostats
- Temperature limiter in case of fan failure
- CE, UR, cUR Recognized

Part#	Description	Voltage	Mount	H(in)	W(in)	D(in)
FLH 250	Extruded Fan Heater, 250W	115	Din Rail	7.2	3.4	4.1
FLH 400	Extruded Fan Heater, 400W	115	Din Rail	8.8	3.4	4.1

FAN HEATER WITH BUILT IN THERMOSTAT



APPLICATIONS

- Includes built in thermostat
- Temperature limiter in case of fan failure
- 30,000 hour service life
- CE, UR, cUR Recognized

Part#	Description	Voltage	Mount	H(in)	W(in)	D(in)
FLH-TF 125	Fan Heater with Thermostat, 125W	115	Panel	5	4.2	5.5
FLH-TF 200	Fan Heater with Thermostat, 200W	115	Panel	5	4.2	5.5
FLH-TF 400	Fan Heater with Thermostat, 400W	115	Panel	7	6.2	7.5
FLH-TF 800	Fan Heater with Thermostat, 800W	115	Panel	7	6.2	7.5



APPLICATIONS

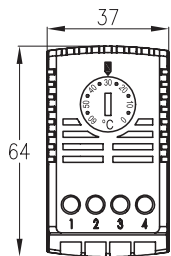
- Mechanical bi-metallic thermostat for temperature in enclosures. Suitable for filterfans and heaters and also for monitoring temperature.
- Different models available fitted with either change-over contact with neutral position, NCC or NOC.
- Function at increasing temperature (e.g. NCC for triggering heaters, NOC for triggering fans). AS-i slave module also available.
- All models can be delivered in convenient packaging units.



Technical data	FLZ-510	FLZ-520	FLZ-530	FLZ-550 AS-i
Type of contact	change over with spring contact	NCC with spring contact	NOC with spring contact	integrated AS-i bus Slave
Available setting ranges		-20°C (+4°F)...+ 40°C (+ 104°F) 0°C (+32°F)...+ 60°C (+ 140°F) +20°C (+68°F)...+ 80°C (+ 176°F)		-10°C (+14°F)...+ 60°C (+ 140°F)
Max. breaking capacity, value in brackets inductive Load at cos(phi) = 0,6	NCC: 100-250V AC/10(2)A NOC: 100-250V AC/5(2)A DC: max. 30W	240V AC/10(2)A 120V AC/15(2)A DC: max 30W		<20mA 25,5V... 31,6V ASi profile: S-BA
Breaking temperature difference	1K: thermal return* 3K: without thermal return 7K: capillary sensor	<7K		1-4K adjustable
Tolerance for switching point	+/- 3K		+/- 4K	+/- 2K
Sensor	bimetal or capillary sensor (1.5m)		bimetal	NTC
Connection	0.5 - 2.5 mm ² screw clamps			
Programming				1.3mm DC Jack programming
Colour	RAL 7035 - light grey			
Weight	75g	50g	50g	55g
System of protection	IP 20			
Working/storage temperature range	-20°C (-4°F) ... + 80C (+ 176°F)			-25°C (-13°F) ... + 80C (+ 176°F)
Mounting method	snap fastening for 35mm profile bars according to EN 60715 (FLZ 520/530: for exhaust filter PFA 3000 too)			
Approvals	1K, 3K: UL approval (not for 7K)	UL approval		AS-i

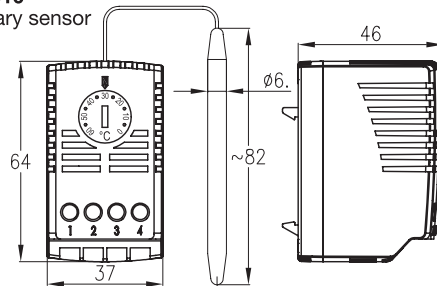
*suitable for 230V connection

FLZ 510

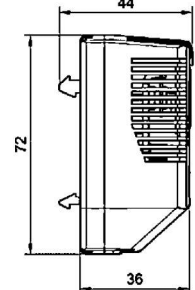
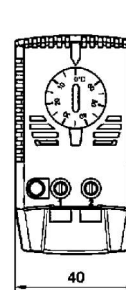


FLZ 510

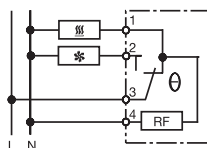
capillary sensor



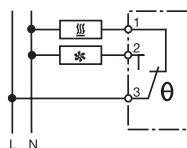
FLZ 520 / FLZ 530 / FLZ 550-AS-i



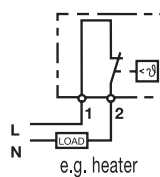
FLZ 510 1K



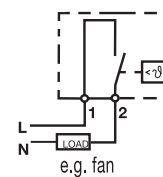
FLZ 510 3K / 7K



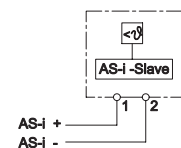
FLZ 520 NCC



FLZ 530 NOC

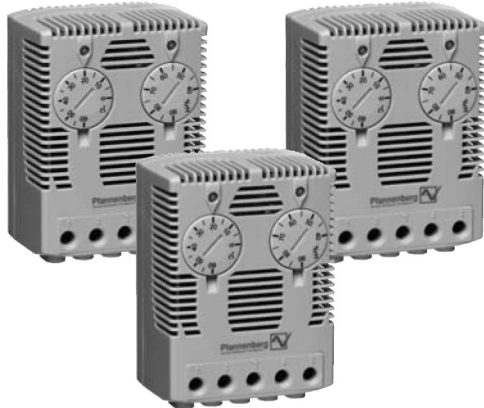


FLZ 550 AS-i



Twin Thermostat

FLZ 541, FLZ 542, FLZ 543

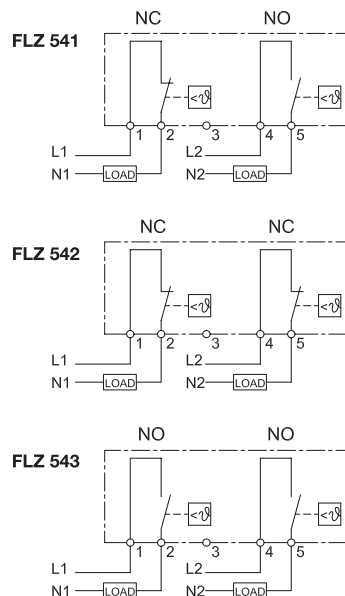
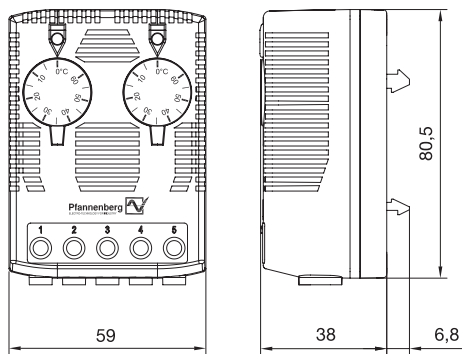


APPLICATIONS

The twin thermostats of the FLZ series stand out for their integration of independently triggering mechanical thermostats. In contrast to thermostats with changeover contact, connected devices can be operated in varying temperature ranges. The availability of differing combinations ensures that a great number of applications can be catered for ideally.

- FLZ 541 (NCC/NOC) for triggering heaters and fans for example
- FLZ 542 (NCC/NCC) for triggering heaters, e.g. heaters and additional heaters or early warning system and heater
- FLZ 543 (NOC/NOC) for triggering fans, for example: filterfans and additional filterfans to reduce volume/energy or early warning systems and filterfans
- All models can be delivered in convenient packaging units

Technical data	FLZ 541	FLZ 542	FLZ 543
Type of contact	NCC/NOC with spring contact	NCC with spring contact	NOC with spring contact
Temperature ranges (adjustable)		0°C (+32°F)...+ 60°C (+ 140°F)	
Max. breaking capacity, value in brackets inductive		240V AC, 10(2)/120V AC, 15(2)A	
Load at cos(phi) = 0,6			
Breaking temperature difference		<7K	
Tolerance for switching point		+/- 4K	
Sensor		bimetal	
Connection		0.5 - 2.5 mm ² screw clamps	
Colour		RAL 7035 - light grey	
System of protection		IP 20	
Working/storage temperature range		-20°C (-4°F) ... + 80C (+ 180°F)	
Mounting method	snap fastening for 35mm profile bars according to EN 60715, for exhaust filter PFA 3000 too)		
Weight		95g	
Approvals	UL - and cUL approval in preparation		



Catalog #	Page #	Catalog #	Page #	Catalog #	Page #	Catalog #	Page #
1000-U237	120	ES-242412	56	ES-FCD486018	105	ESSS-241210	56
1000-U429-01	120	ES-242416	56	ESFM-16126	59	ESSS-24126	55
1000-U78	120	ES-242420	56	ESFM-20166	59	ESSS-24166	55
177P	115	ES-24246	55	ESFM-20206	59	ESSS-24168	55
179P	115	ES-24248	55	ESFM-24206	59	ESSS-242010	56
261612-10	119	ES-243010	56	ESFM-24248	59	ESSS-242012	56
261612-10-KIT	119	ES-24308	55	ESFM-30248	59	ESSS-242016	56
261621-41	119	ES-30166	55	ESFMSS-16126	59	ESSS-24206	55
261621-41-KIT	119	ES-302010	56	ESFMSS-20166	59	ESSS-24208	55
261623	119	ES-30206	55	ESFMSS-20206	59	ESSS-242410	56
261623-KIT	119	ES-30208	55	ESFMSS-24206	59	ESSS-242412	56
261631-41	119	ES-302410	56	ESFMSS-24248	59	ESSS-242416	56
BP305-90CCW-KIT	119	ES-302412	56	ESFMSS-30248	59	ESSS-242420	56
C0035745	120	ES-302416	56	ESFMSS6-16126	59	ESSS-24246	55
DTI9021	133	ES-302420	56	ESFMSS6-20166	59	ESSS-24248	55
DTI9041	133	ES-302424	56	ESFMSS6-20206	59	ESSS-243010	56
DTI9141	133	ES-30246	55	ESFMSS6-24206	59	ESSS-24308	55
DTI9341	133	ES-30248	55	ESFMSS6-24248	59	ESSS-30166	55
DTI9441	133	ES-303010	56	ESFMSS6-30248	59	ESSS-302010	56
DTI9541	133	ES-303012	56	ES-P1212	123	ESSS-30206	55
DTS1200	133	ES-30308	55	ES-P1224	123	ESSS-30208	55
DTS2000	133	ES-30368	55	ES-P1412	123	ESSS-302410	56
DTS3041	133	ES-362410	56	ES-P1610	123	ESSS-302412	56
DTS3061	133	ES-362412	56	ES-P1612	123	ESSS-302416	56
DTS3081	133	ES-36246	55	ES-P1614	123	ESSS-302420	56
DTS3141	133	ES-36248	55	ES-P1616	123	ESSS-302424	56
DTS3161	133	ES-363010	56	ES-P2012	123	ESSS-30246	55
DTS3181	133	ES-363012	56	ES-P2016	123	ESSS-30248	55
DTS3241	133	ES-363016	56	ES-P2020	123	ESSS-303010	56
DTS3261	133	ES-363020	56	ES-P2416	123	ESSS-303012	56
DTS3281	133	ES-36306	55	ES-P2420	123	ESSS-30308	55
DTS3341	133	ES-36308	55	ES-P2424	123	ESSS-30368	55
DTS3361	133	ES-363610	56	ES-P3016	123	ESSS-362410	56
DTS3381	133	ES-363612	56	ES-P3020	123	ESSS-362412	56
DTS3500	133	ES-36368	55	ES-P3024	123	ESSS-36246	55
DTS3541	133	ES-42248	55	ES-P3030	123	ESSS-36248	55
DTS3561	133	ES-423010	56	ES-P3624	105	ESSS-363010	56
DTS3581	133	ES-423012	56	ES-P3624	123	ESSS-363012	56
DTS3641	133	ES-42308	56	ES-P3630	123	ESSS-363016	56
DTS3661	133	ES-423610	56	ES-P3636	105	ESSS-363020	56
DTS3681	133	ES-423612	56	ES-P3636	123	ESSS-36306	55
DTT3500	133	ES-423616	56	ES-P3648	105	ESSS-36308	55
DTT4500	133	ES-42368	56	ES-P3660	105	ESSS-363610	56
DTT5501	133	ES-482410	56	ES-P4224	105	ESSS-363612	56
DTT6500	133	ES-482412	56	ES-P4224	123	ESSS-36368	55
ES-12126	55	ES-48248	56	ES-P4230	123	ESSS-42248	55
ES-12246	55	ES-483010	56	ES-P4236	105	ESSS-423010	56
ES-12248	55	ES-48308	56	ES-P4236	123	ESSS-423012	56
ES-161210	56	ES-483610	56	ES-P4248	105	ESSS-42308	56
ES-16126	55	ES-483612	56	ES-P4260	105	ESSS-423610	56
ES-16128	55	ES-483616	56	ES-P4824	123	ESSS-423612	56
ES-161610	56	ES-483620	56	ES-P4830	123	ESSS-423616	56
ES-16166	55	ES-48368	56	ES-P4836	123	ESSS-42368	56
ES-16168	55	ES-603610	56	ES-P6030	123	ESSS-482410	56
ES-162010	56	ES-603612	56	ES-P6036	123	ESSS-482412	56
ES-16206	55	ES-603616	56	ESSS-12126	55	ESSS-48248	56
ES-16208	55	ES-603620	56	ESSS-12246	55	ESSS-483010	56
ES-20126	55	ES-60368	56	ESSS-12248	55	ESSS-48308	56
ES-20128	55	ESDD-24428	58	ESSS-161210	56	ESSS-483610	56
ES-201610	56	ESDD-30488	58	ESSS-16126	55	ESSS-483612	56
ES-201612	56	ESDD-306012	58	ESSS-16128	55	ESSS-483616	56
ES-20166	55	ESDD-364812	58	ESSS-161610	56	ESSS-483620	56
ES-20168	55	ESDD-366012	58	ESSS-16166	55	ESSS-48368	56
ES-202010	56	ESDDSS-24428	58	ESSS-16168	55	ESSS-603610	56
ES-202012	56	ESDDSS-30488	58	ESSS-162010	56	ESSS-603612	56
ES-20206	55	ESDDSS-306012	58	ESSS-16206	55	ESSS-603616	56
ES-20208	55	ESDDSS-364812	58	ESSS-16208	55	ESSS-603620	56
ES-202410	56	ESDDSS-366012	58	ESSS-20126	55	ESSS-60368	56
ES-20246	55	ESDDSS6-24428	58	ESSS-20128	55	ESSS6-12126	55
ES-20248	55	ESDDSS6-30488	58	ESSS-201610	56	ESSS6-12246	55
ES-241210	56	ESDDSS6-306012	58	ESSS-201612	56	ESSS6-12248	55
ES-24126	55	ESDDSS6-364812	58	ESSS-20166	55	ESSS6-161210	56
ES-24166	55	ESDDSS6-366012	58	ESSS-20168	55	ESSS6-16126	55
ES-24168	55	ES-FC382416	105	ESSS-202010	56	ESSS6-16128	55
ES-242010	56	ES-FC383616	105	ESSS-202012	56	ESSS6-161610	56
ES-242012	56	ES-FC482423	105	ESSS-20206	55	ESSS6-16166	55
ES-242016	56	ES-FC483623	105	ESSS-20208	55	ESSS6-16168	55
ES-24206	55	ES-FCD384816	105	ESSS-202410	56	ESSS6-162010	56
ES-24208	55	ES-FCD386016	105	ESSS-20246	55	ESSS6-16206	55
ES-242410	56	ES-FCD484823	105	ESSS-20248	55	ESSS6-16208	55

Catalog Number Index



Catalog #	Page #	Catalog #	Page #	Catalog #	Page #	Catalog #	Page #
ESSS6-20126	55	ESSS6-60368	56	NH-45103	120	SP1-C48	108
ESSS6-20128	55	ESSTSS-14126	60	NH-45104	120	SP-24BASE	132
ESSS6-201610	56	ESSTSS-16128	60	NH-45105	120	SP-44COL	132
ESSS6-201612	56	ESSTSS-16146	60	NH-45106	120	SP-60P24F1	124
ESSS6-20166	55	ESSTSS-16168	60	NH-45107	120	SP-60P24F2	124
ESSS6-20168	55	ESSTSS-201612	60	NH-45108	120	SP-60P36F1	124
ESSS6-202010	56	ESSTSS-20168	60	NH-45109	120	SP-60P36F2	124
ESSS6-202012	56	ESSTSS-202012	60	NH-45110	120	SP-60P48F1	124
ESSS6-20206	55	ESSTSS-20208	60	NH-45111	120	SP-60P48F2	124
ESSS6-20208	55	ESSTSS-24208	60	NH-45112	120	SP-60SMP14	125
ESSS6-202410	56	ESSTSS-242412	60	NH-45113	120	SP-60SMP20	125
ESSS6-20246	55	ESSTSS-24248	60	NH-45114	120	SP-60X4912	85
ESSS6-20248	55	ESSTSS-302412	60	NH-45115	120	SP-60X4918	85
ESSS6-241210	56	ESSTSS-30248	60	NH-45116	120	SP-60X4924	85
ESSS6-24126	55	ESSTSS-30308	60	NH-45117	120	SP-60X6112	85
ESSS6-24166	55	ESSTSS-363012	60	NH-45118	120	SP-60X6118	85
ESSS6-24168	55	ESSTSS-363016	60	NH-45119	120	SP-60X6124	85
ESSS6-242010	56	ESSTSS-36308	60	NH-45120	120	SP-66COL	132
ESSS6-242012	56	ESSTSS-363612	60	NH-45121	120	SP-72P24F1	124
ESSS6-242016	56	ESSTSS-423612	60	NH-45122	120	SP-72P24F2	124
ESSS6-24206	55	ESSTSS-483612	60	NH-45123	120	SP-72P30F1	124
ESSS6-24208	55	ESSTSS-483616	60	NH-45124	120	SP-72P30F2	124
ESSS6-242410	56	ESSTSS-603616	60	PF-10000	134	SP-72P36F1	124
ESSS6-242412	56	ESSTSS6-14126	60	PF-11000	134	SP-72P36F2	124
ESSS6-242416	56	ESSTSS6-16128	60	PF-22000	134	SP-72P48F1	124
ESSS6-242420	56	ESSTSS6-16146	60	PF-20000	134	SP-72P48F2	124
ESSS6-24246	55	ESSTSS6-16168	60	PF-32000	134	SP-72P60F1	124
ESSS6-24248	55	ESSTSS6-201612	60	PF-42500	134	SP-72P60F2	124
ESSS6-243010	56	ESSTSS6-20168	60	PF-43000	134	SP-72P72F1	124
ESSS6-24308	55	ESSTSS6-202012	60	PF-65000	134	SP-72P72F2	124
ESSS6-30166	55	ESSTSS6-20208	60	PF-66000	134	SP-72SMP14	125
ESSS6-302010	56	ESSTSS6-24208	60	PF-67000	134	SP-72SMP20	125
ESSS6-30206	55	ESSTSS6-242412	60	PFA-10000	135	SP-72SMP26	125
ESSS6-30208	55	ESSTSS6-24248	60	PFA-20000	135	SP-72SMP32	125
ESSS6-302410	56	ESSTSS6-302412	60	PFA-30000	135	SP-72X6112	85
ESSS6-302412	56	ESSTSS6-30248	60	PFA-40000	135	SP-72X6118	85
ESSS6-302416	56	ESSTSS6-30308	60	PFA-60000	135	SP-72X7312	85
ESSS6-302420	56	ESSTSS6-363012	60	PFF-10000	135	SP-72X7318	85
ESSS6-302424	56	ESSTSS6-363016	60	PFF-20000	135	SP-72X7324	85
ESSS6-30246	55	ESSTSS6-36308	60	PFF-30000	135	SP-72XM2818AF	89
ESSS6-30248	55	ESSTSS6-363612	60	PFF-40000	135	SP-72XM3418AF	89
ESSS6-303010	56	ESSTSS6-423612	60	PFF-60000	135	SP-72XM3EQ18AF	89
ESSS6-303012	56	ESSTSS6-483612	60	R002-0100BLK/BLK	118	SP-72XM3EW18AF	89
ESSS6-30308	55	ESSTSS6-483616	60	R002-0100BLK/BLK-KIT	119	SP-72XM4018AF	89
ESSS6-30368	55	ESSTSS6-603616	60	R020-0100-SS	119	SP-72XM5418AF	89
ESSS6-362410	56	FLH-010MINI	138	R020-0200-CH	119	SP-72XM6618AF	89
ESSS6-362412	56	FLH-020MINI	138	R020-0400CH	119	SP-72XM7818AF	89
ESSS6-36246	55	FLH-030MINI	138	R021-0200	119	SP-72XM7824AF	89
ESSS6-36248	55	FLH-030	138	R090-0100 SS	118	SP-84XM3EW18AF	89
ESSS6-363010	56	FLH 045	138	SP-1436P2	111	SP-84XM3EW24AF	89
ESSS6-363012	56	FLH-060	138	SP-1436P3	111	SP-84XM4018AF	89
ESSS6-363016	56	FLH-100	138	SP-1436T	111	SP-84XM4024AF	89
ESSS6-363020	56	FLH-150	138	SP-1436W	111	SP-84XM4EW18AF	89
ESSS6-36306	55	FLH-250	138	SP-1436B	111	SP-84XM4EW24AF	89
ESSS6-36308	55	FLH-400	138	SP-1448BD	111	SP-84XM5EW18AF	89
ESSS6-363610	56	FLH-TF 125	138	SP1448P2	111	SP-84XM5EW24AF	89
ESSS6-363612	56	FLH-TF 200	138	SP1448P3	111	SP-84XM7818AF	89
ESSS6-36368	55	FLH-TF 400	138	SP-1448T	111	SP-84XM7824AF	89
ESSS6-42248	55	FLH-TF 800	138	SP-1448W	111	SP-86M3E14	72
ESSS6-423010	56	FLZ-510	139	SP-1460BD	111	SP-86M3E20	72
ESSS6-423012	56	FLZ-520	139	SP-1460P2	111	SP-86M4E14	72
ESSS6-42308	56	FLZ-530	139	SP-1460P3	111	SP-86M4E20	72
ESSS6-423610	56	FLZ-550 Ai	139	SP1460T	111	SP-86M5E14	72
ESSS6-423612	56	FLZ-541	140	SP-1460W	111	SP-86M5E20	72
ESSS6-423616	56	FLZ-542	140	SP-1472BD	111	SP-90P24F1	124
ESSS6-42368	56	FLZ-543	140	SP1472P2	111	SP-90P24F2	124
ESSS6-482410	56	G-1034	126	SP-1472P3	111	SP-90P30F1	124
ESSS6-482412	56	JH-40150	119	SP-1472T	111	SP-90P30F2	124
ESSS6-48248	56	JH-40160	119	SP-1472W	111	SP-90P36F1	124
ESSS6-483010	56	JH-45015	120	SP-14B	111	SP-90P36F2	124
ESSS6-48308	56	LH-40510	119	SP-14P2	111	SP-90P48F1	124
ESSS6-483610	56	Mini-slot	120	SP-14P3	111	SP-90P48F2	124
ESSS6-483612	56	NH-20030	118	SP-14T	111	SP-90P60F1	124
ESSS6-483616	56	NH-40231	120	SP-14W	111	SP-90P60F2	124
ESSS6-483620	56	NH-40240	120	SP-18BASE	132	SP-90P72F1	124
ESSS6-48368	56	NH-41041	118	SP1-C18	108	SP-90P72F2	124
ESSS6-603610	56	NH-41050	118	SP1-C24	108	SP-90SMP14	125
ESSS6-603612	56	NH-45015	120	SP1-C30	108	SP-90SMP16	125
ESSS6-603616	56	NH-45101	120	SP1-C36	108	SP-90SMP20	125
ESSS6-603620	56	NH-45102	120	SP1-C42	108	SP-90SMP26	125

Catalog #	Page #	Catalog #	Page #	Catalog #	Page #	Catalog #	Page #
SP-90SMP32	125	SPABN12SS6-202210	83	SPCLSS-8C16	46	SP-FLT64	117
SP-90XM3EW24AF	89	SPABN12SS6-20228	83	SPCLSS-8C20	46	SP-FLT66	117
SP-90XM4018AF	89	SPABN12SS6-242210	83	SPCLSS-8C8	46	SP-FLT812	117
SP-90XM4020AF	89	SPABN12SS6-24228	83	SPDD-5442	124	SP-FLT84	117
SP-90XM4024AF	89	SPABN12SS6-242610	83	SPDD-6048	124	SP-FLT86	117
SP-90XM4EW18AF	89	SPABN12SS6-24268	83	SPDD-6060	124	SP-FLT88	117
SP-90XM4EW24AF	89	SPABN12SS6-302210	83	SPDD-7260	124	SPFS-602418	68
SP-90XM5EW18AF	89	SPABN12SS6-30228	83	SPDD-7272	124	SPFS-603624	68
SP-90XM5EW24AF	89	SPABN12SS6-302610	83	SPDSK-12	113	SPFS-722418	68
SP-90XM7818AF	89	SPABN12SS6-302612	83	SPDSK-12-N4	113	SPFS-722424	68
SP-90XM7820AF	89	SPABN12SS6-30268	83	SPDSK-16	113	SPFS-722430	68
SP-90XM7824AF	89	SPABN12SS6-362610	83	SPDSK-16-N4	113	SPFS-723018	68
SP-924B	108	SPABN12SS6-36268	83	SPDSK-20	113	SPFS-723024	68
SP-936B	108	SPABN12SS6-363210	83	SPDSK-20-N4	113	SPFS-723618	68
SPABN12-202210	83	SPABN12SS6-363212	83	SPDSK-24	113	SPFS-723624	68
SPABN12-20228	83	SPABN12SS6-363216	83	SPDSK-24-N4	113	SPFS-723630	68
SPABN12-242210	83	SPABN12SS6-36328	83	SPDSK-30	113	SPFS-723636	68
SPABN12-24228	83	SPABN12SS6-423210	83	SPDSK-30-N4	113	SPFS-902420	68
SPABN12-242610	83	SPABN12SS6-423212	83	SPDSK-36	113	SPFS-903620	68
SPABN12-24268	83	SPABN12SS6-42328	83	SPDSK-36-N4	113	SPFS-903624	68
SPABN12-302210	83	SPABN12SS6-423810	83	SPDSK-42	113	SPFS-903636	68
SPABN12-30228	83	SPABN12SS6-423812	83	SPDSK-42-N4	113	SPFSD-604818	70
SPABN12-302610	83	SPABN12SS6-42388	83	SPDSK-48	113	SPFSD-724818	70
SPABN12-302612	83	SPABN12SS6-483810	83	SPDSK-48-N4	113	SPFSD-724824	70
SPABN12-30268	83	SPABN12SS6-483812	83	SPDSK-60	113	SPFSD-726018	70
SPABN12-362610	83	SPABN12SS6-483816	83	SPDSK-60-N4	113	SPFSD-726024	70
SPABN12-36268	83	SPABN12SS6-483816A	83	SPDSK-72	113	SPFSD-726036	70
SPABN12-363210	83	SPABN12SS6-48388	83	SPDSK-72-N4	113	SPFSD-727218	70
SPABN12-363212	83	SPABN12SS6-603810	83	SPDSKSS-12	113	SPFSD-727224	70
SPABN12-363216	83	SPABN12SS6-603812	83	SPDSKSS-12-N4	113	SPFSD-904820	70
SPABN12-36328	83	SPABN12SS6-603816	83	SPDSKSS-16	113	SPFSD-907220	70
SPABN12-423210	83	SPABN12SS6-603816A	83	SPDSKSS-16-N4	113	SPFSD-907224	70
SPABN12-423210	83	SPABN12SS6-60388	83	SPDSKSS-20	113	SPFSD-907236	70
SPABN12-423212	83	SPAC-ANSI-61	114	SPDSKSS-20-N4	113	SPFSDA-722424	68
SPABN12-42328	83	SPAC-RAL7035	14	SPDSKSS-24	113	SPFSDA-723024	68
SPABN12-423812	83	SPAC-WHITE	114	SPDSKSS-24-N4	113	SPFSDA-723624	68
SPABN12-42388	83	SPAF-1212	21	SPDSKSS-30	113	SPFSDA-903624	68
SPABN12-483810	83	SPAF-22	21	SPDSKSS-30-N4	113	SPFSDA-722430	68
SPABN12-483812	83	SPAF-44	21	SPDSKSS-36	113	SPFSDA-722436	68
SPABN12-483816	83	SPAF-66	21	SPDSKSS-36-N4	113	SPFSDA-723636	68
SPABN12-483816A	83	SPAF-88	21	SPDSKSS-42	113	SPFSDA-903636	68
SPABN12-48388	83	SPBH-1212	21	SPDSKSS-42-N4	113	SPFSDAD-724824	70
SPABN12-603810	83	SPBH-22	21	SPDSKSS-48	113	SPFSDAD-726024	70
SPABN12-603812	83	SPBH-44	21	SPDSKSS-48-N4	113	SPFSDAD-727224	70
SPABN12-603816	83	SPBH-66	21	SPDSKSS-60	113	SPFSDAD-907224	70
SPABN12-603816A	83	SPBH-88	21	SPDSKSS-60-N4	113	SPFSDAD-726036	70
SPABN12-60388	83	SPC-1212	21	SPDSKSS6-12	113	SPFSDADSS-724824	70
SPABN12SS-202210	83	SPC-22	21	SPDSKSS6-12-N4	113	SPFSDADSS-726024	70
SPABN12SS-20228	83	SPC-44	21	SPDSKSS6-16	113	SPFSDADSS-727224	70
SPABN12SS-242210	83	SPC-66	21	SPDSKSS6-16-N4	113	SPFSDADSS-907224	70
SPABN12SS-24228	83	SPC-88	21	SPDSKSS6-20	113	SPFSDADSS-726036	70
SPABN12SS-242610	83	SPCL-12C12	46	SPDSKSS6-20-N4	113	SPFSDADSS6-724824	70
SPABN12SS-24268	83	SPCL-12C16	46	SPDSKSS6-24	113	SPFSDADSS6-726024	70
SPABN12SS-302210	83	SPCL-12C20	46	SPDSKSS6-24-N4	113	SPFSDADSS6-727224	70
SPABN12SS-30228	83	SPCL-12C24	46	SPDSKSS6-30	113	SPFSDADSS6-907224	70
SPABN12SS-302610	83	SPCL-16C16	46	SPDSKSS6-30-N4	113	SPFSDADSS6-726036	70
SPABN12SS-302612	83	SPCL-16C20	46	SPDSKSS6-36	113	SPFSDASS-722424	68
SPABN12SS-30268	83	SPCL-16C24	46	SPDSKSS6-36-N4	113	SPFSDASS-723024	68
SPABN12SS-362610	83	SPCL-16C30	46	SPDSKSS6-42	113	SPFSDASS-723624	68
SPABN12SS-36268	83	SPCL-16C36	46	SPDSKSS6-42-N4	113	SPFSDASS-903624	68
SPABN12SS-363210	83	SPCL-20C20	46	SPDSKSS6-48	113	SPFSDASS-722430	68
SPABN12SS-363212	83	SPCL-20C24	46	SPDSKSS6-48-N4	113	SPFSDASS-722436	68
SPABN12SS-363216	83	SPCL-20C30	46	SPDSKSS6-60	113	SPFSDASS-723636	68
SPABN12SS-36328	83	SPCL-8C12	46	SPDSKSS6-60-N4	113	SPFSDASS-903636	68
SPABN12SS-423210	83	SPCL-8C16	46	SPDSKSS6-72	113	SPFSDASS6-722424	68
SPABN12SS-423212	83	SPCL-8C20	46	SPDSKSS6-72-N4	113	SPFSDASS6-723024	68
SPABN12SS-42328	83	SPCL-8C8	46	SPDSKSS-72	113	SPFSDASS6-723624	68
SPABN12SS-423810	83	SPCLSS-12C12	46	SPDSKSS-72-N4	113	SPFSDASS6-903624	68
SPABN12SS-423812	83	SPCLSS-12C16	46	SP-DSTOPK	114	SPFSDASS6-722430	68
SPABN12SS-42388	83	SPCLSS-12C20	46	SP-DSTOPK-SS	114	SPFSDASS6-722436	68
SPABN12SS-483810	83	SPCLSS-12C24	46	SP-DSTOPK-SS6	114	SPFSDASS6-723636	68
SPABN12SS-483812	83	SPCLSS-16C16	46	SPE-1212N	21	SPFSDASS6-903636	68
SPABN12SS-483816	83	SPCLSS-16C20	46	SPE-22	21	SPFSK-1210	114
SPABN12SS-48388	83	SPCLSS-16C24	46	SPE-44	21	SPFSK-1212	114
SPABN12SS-603810	83	SPCLSS-16C30	46	SPE-66	21	SPFSK-1216	114
SPABN12SS-603812	83	SPCLSS-16C36	46	SPE-88	21	SPFSK-1218	114
SPABN12SS-603816	83	SPCLSS-20C20	46	SP-FLT33	117	SPFSK-1220	114
SPABN12SS-603816A	83	SPCLSS-20C24	46	SP-FLT34	117	SPFSK-1224	114
SPABN12SS-60388	83	SPCLSS-20C30	46	SP-FLT43	117	SPFSK-1230	114
SPABN12SS-60388	83	SPCLSS-8C12	46	SP-FLT44	117	SPFSK-1236	114

Catalog Number Index



Catalog #	Page #	Catalog #	Page #	Catalog #	Page #	Catalog #	Page #
SPFSK-128	114	SPFSKSS6-68	114	SPH-883	19	SPJ4-16146	32
SPFSK-1810	114	SPFSKSS-68	114	SPH-883N	19	SPJ4-16148	32
SPFSK-1812	114	SPFSSS-602418	68	SPH-884	19	SPJ-443	33
SPFSK-1816	114	SPFSSS-603624	68	SPH-884N	19	SPJ-444	33
SPFSK-1820	114	SPFSSS6-602418	68	SPH-885	19	SPJ4-443	32
SPFSK-1824	114	SPFSSS6-603624	68	SPH-885N	19	SPJ4-444	32
SPFSK-1830	114	SPFSSS6-722418	68	SPHWK-1010	118	SPJ4-643	32
SPFSK-188	114	SPFSSS6-722424	68	SPHWK-1212	118	SPJ4-644	32
SPFSK-2410	114	SPFSSS6-722430	68	SPHWK-124	118	SPJ4-664	32
SPFSK-2412	114	SPFSSS6-723018	68	SPHWK-1520	118	SPJ4-666	32
SPFSK-2416	114	SPFSSS6-723024	68	SPHWK-168	118	SPJ4-863	32
SPFSK-2424	114	SPFSSS6-723618	68	SPHWK-1711	118	SPJ4-866	32
SPFSK-248	114	SPFSSS6-723624	68	SPHWK-2010	118	SPJ4-884	32
SPFSK-610	114	SPFSSS6-723630	68	SPHWK-2012	118	SPJ4SS-10106	32
SPFSK-612	114	SPFSSS6-723636	68	SPHWK-2017	118	SPJ4SS-1084	32
SPFSK-616	114	SPFSSS6-902420	68	SPHWK-2020	118	SPJ4SS-1086	32
SPFSK-618	114	SPFSSS6-903620	68	SPHWK-2021	118	SPJ4SS-12105	32
SPFSK-620	114	SPFSSS6-903624	68	SPHWK-208	118	SPJ4SS-12108	32
SPFSK-624	114	SPFSSS6-903636	68	SPHWK-2424	118	SPJ4SS-12126	32
SPFSK-630	114	SPFSSS-722418	68	SPHWK-2615	118	SPJ4SS-1264	32
SPFSK-636	114	SPFSSS-722424	68	SPHWK-3215	118	SPJ4SS-14126	32
SPFSK-68	114	SPFSSS-722430	68	SPHWK-3636	118	SPJ4SS-14128	32
SPFSKSS-1210	114	SPFSSS-723018	68	SPHWKSS-1010	118	SPJ4SS-1486	32
SPFSKSS-1212	114	SPFSSS-723024	68	SPHWKSS-1212	118	SPJ4SS-16106	32
SPFSKSS-1216	114	SPFSSS-723618	68	SPHWKSS-124	118	SPJ4SS-161410	32
SPFSKSS-1218	114	SPFSSS-723624	68	SPHWKSS-1520	118	SPJ4SS-16146	32
SPFSKSS-1220	114	SPFSSS-723630	68	SPHWKSS-168	118	SPJ4SS-16148	32
SPFSKSS-1224	114	SPFSSS-723636	68	SPHWKSS-1711	118	SPJ4SS-443	32
SPFSKSS-1230	114	SPFSSS-902420	68	SPHWKSS-2010	118	SPJ4SS-444	32
SPFSKSS-1236	114	SPFSSS-903620	68	SPHWKSS-2012	118	SPJ4SS6-10106	32
SPFSKSS-128	114	SPFSSS-903624	68	SPHWKSS-2017	118	SPJ4SS6-1084	32
SPFSKSS-1810	114	SPFSSS-903636	68	SPHWKSS-2020	118	SPJ4SS6-1086	32
SPFSKSS-1812	114	SPH-121210N	19	SPHWKSS-2021	118	SPJ4SS6-12105	32
SPFSKSS-1816	114	SPH-12121N	19	SPHWKSS-208	118	SPJ4SS6-12108	32
SPFSKSS-1820	114	SPH-12122N	19	SPHWKSS-2424	118	SPJ4SS6-12126	32
SPFSKSS-1824	114	SPH-12123N	19	SPHWKSS-2615	118	SPJ4SS6-1264	32
SPFSKSS-1830	114	SPH-12124N	19	SPHWKSS-3215	118	SPJ4SS6-14126	32
SPFSKSS-188	114	SPH-12125N	19	SPHWKSS-3636	118	SPJ4SS6-14128	32
SPFSKSS-2410	114	SPH-221	19	SPHWKSS6-1010	118	SPJ4SS6-1486	32
SPFSKSS-2412	114	SPH-2210	19	SPHWKSS6-1212	118	SPJ4SS6-16106	32
SPFSKSS-2416	114	SPH-2210N	19	SPHWKSS6-124	118	SPJ4SS6-161410	32
SPFSKSS-2424	114	SPH-221N	19	SPHWKSS6-1520	118	SPJ4SS6-16146	32
SPFSKSS-248	114	SPH-222	19	SPHWKSS6-168	118	SPJ4SS6-16148	32
SPFSKSS-610	114	SPH-222N	19	SPHWKSS6-1711	118	SPJ4SS-643	32
SPFSKSS-612	114	SPH-223	19	SPHWKSS6-2010	118	SPJ4SS-644	32
SPFSKSS6-1210	114	SPH-223N	19	SPHWKSS6-2012	118	SPJ4SS6-443	32
SPFSKSS6-1212	114	SPH-224	19	SPHWKSS6-2017	118	SPJ4SS6-444	32
SPFSKSS6-1216	114	SPH-224N	19	SPHWKSS6-2020	118	SPJ4SS-664	32
SPFSKSS6-1218	114	SPH-225	19	SPHWKSS6-2021	118	SPJ4SS6-643	32
SPFSKSS6-1220	114	SPH-225N	19	SPHWKSS6-208	118	SPJ4SS6-644	32
SPFSKSS6-1224	114	SPH-441	19	SPHWKSS6-2424	118	SPJ4SS-666	32
SPFSKSS6-1230	114	SPH-4410	19	SPHWKSS6-2615	118	SPJ4SS6-664	32
SPFSKSS6-1236	114	SPH-4410N	19	SPHWKSS6-3215	118	SPJ4SS6-666	32
SPFSKSS6-128	114	SPH-441N	19	SPHWKSS6-3636	118	SPJ4SS6-863	32
SPFSKSS-616	114	SPH-442	19	SPJ-10106	33	SPJ4SS6-866	32
SPFSKSS-618	114	SPH-442N	19	SPJ-1084	33	SPJ4SS6-884	32
SPFSKSS6-1810	114	SPH-443	19	SPJ-1086	33	SPJ4SS-863	32
SPFSKSS6-1812	114	SPH-443N	19	SPJ-12105	33	SPJ4SS-866	32
SPFSKSS6-1816	114	SPH-444	19	SPJ-12108	33	SPJ4SS-884	32
SPFSKSS6-1820	114	SPH-444N	19	SPJ-12126	33	SPJ-643	33
SPFSKSS6-1824	114	SPH-445	19	SPJ-1264	33	SPJ-644	33
SPFSKSS6-1830	114	SPH-445N	19	SPJ-14126	33	SPJ-664	33
SPFSKSS6-188	114	SPH-661	19	SPJ-14128	33	SPJ-666	33
SPFSKSS-620	114	SPH-6610	19	SPJ-1486	33	SPJ-863	33
SPFSKSS-624	114	SPH-6610N	19	SPJ-16106	33	SPJ-866	33
SPFSKSS6-2410	114	SPH-661N	19	SPJ-161410	33	SPJ-884	33
SPFSKSS6-2412	114	SPH-662	19	SPJ-16146	33	SPJH-10106	36
SPFSKSS6-2416	114	SPH-662N	19	SPJ-16148	33	SPJH-1084	36
SPFSKSS6-2424	114	SPH-663	19	SPJ4-10106	32	SPJH-1086	36
SPFSKSS6-248	114	SPH-663N	19	SPJ4-1084	32	SPJH-12105	36
SPFSKSS-630	114	SPH-664	19	SPJ4-1086	32	SPJH-12108	36
SPFSKSS-636	114	SPH-664N	19	SPJ4-12105	32	SPJH-12126	36
SPFSKSS6-610	114	SPH-665	19	SPJ4-12108	32	SPJH-1264	36
SPFSKSS6-612	114	SPH-665N	19	SPJ4-12126	32	SPJH-14126	36
SPFSKSS6-616	114	SPH-881	19	SPJ4-1264	32	SPJH-14128	36
SPFSKSS6-618	114	SPH-8810	19	SPJ4-14126	32	SPJH-1486	36
SPFSKSS6-620	114	SPH-8810N	19	SPJ4-14128	32	SPJH-16106	36
SPFSKSS6-624	114	SPH-881N	19	SPJ4-1486	32	SPJH-161410	36
SPFSKSS6-630	114	SPH-882	19	SPJ4-16106	32	SPJH-16146	36
SPFSKSS6-636	114	SPH-882N	19	SPJ4-161410	32	SPJH-16148	36

Catalog #	Page #	Catalog #	Page #	Catalog #	Page #	Catalog #	Page #
SPJH4-10106	35	SPJHSS-12126	36	SPJSCSS6-10106	31	SPJT-4418	34
SPJH4-1084	35	SPJHSS-1264	36	SPJSCSS6-1084	31	SPJT-4424	34
SPJH4-1086	35	SPJHSS-14126	36	SPJSCSS6-1086	31	SPJT-4436	34
SPJH4-12105	35	SPJHSS-14128	36	SPJSCSS6-12105	31	SPJT-4448	34
SPJH4-12108	35	SPJHSS-1486	36	SPJSCSS6-12108	31	SPJT-6612	34
SPJH4-12126	35	SPJHSS-16106	36	SPJSCSS6-12126	31	SPJT-6618	34
SPJH4-1264	35	SPJHSS-161410	36	SPJSCSS6-1264	31	SPJT-6624	34
SPJH4-14126	35	SPJHSS-16146	36	SPJSCSS6-14126	31	SPJT-6636	34
SPJH4-14128	35	SPJHSS-16148	36	SPJSCSS6-14128	31	SPJT-6648	34
SPJH4-1486	35	SPJHSS-443	36	SPJSCSS6-1486	31	SPJTH-121224	38
SPJH4-16106	35	SPJHSS-444	36	SPJSCSS6-16106	31	SPJTH-121236	38
SPJH4-16146	35	SPJHSS6-10106	36	SPJSCSS6-161410	31	SPJTH-121248	38
SPJH4-16148	35	SPJHSS6-1084	36	SPJSCSS6-16146	31	SPJTH-121260	38
SPJH-443	36	SPJHSS6-1086	36	SPJSCSS6-16148	31	SPJTH-2212	38
SPJH-444	36	SPJHSS6-12105	36	SPJSCSS-643	31	SPJTH-2218	38
SPJH4-443	35	SPJHSS6-12108	36	SPJSCSS-644	31	SPJTH-2224	38
SPJH4-444	35	SPJHSS6-12126	36	SPJSCSS6-443	31	SPJTH-2230	38
SPJH4-643	35	SPJHSS6-1264	36	SPJSCSS6-444	31	SPJTH-2236	38
SPJH4-644	35	SPJHSS6-14126	36	SPJSCSS-664	31	SPJTH-2248	38
SPJH4-664	35	SPJHSS6-14128	36	SPJSCSS6-643	31	SPJTH-2260	38
SPJH4-666	35	SPJHSS6-1486	36	SPJSCSS6-644	31	SPJTH-2272	38
SPJH4-863	35	SPJHSS6-16106	36	SPJSCSS-666	31	SPJTH-4412	38
SPJH4-866	35	SPJHSS6-161410	36	SPJSCSS6-664	31	SPJTH-4418	38
SPJH4-884	35	SPJHSS6-16146	36	SPJSCSS6-666	31	SPJTH-4424	38
SPJH4SS-10106	35	SPJHSS6-16148	36	SPJSCSS6-863	31	SPJTH-4430	38
SPJH4SS-1084	35	SPJHSS-643	36	SPJSCSS6-866	31	SPJTH-4436	38
SPJH4SS-1086	35	SPJHSS-644	36	SPJSCSS6-884	31	SPJTH-4448	38
SPJH4SS-12105	35	SPJHSS6-443	36	SPJSCSS-863	31	SPJTH-4460	38
SPJH4SS-12108	35	SPJHSS6-444	36	SPJSCSS-866	31	SPJTH-4472	38
SPJH4SS-12126	35	SPJHSS-664	36	SPJSCSS-884	31	SPJTH-6612	38
SPJH4SS-1264	35	SPJHSS6-643	36	SPJSS-10106	33	SPJTH-6618	38
SPJH4SS-14126	35	SPJHSS6-644	36	SPJSS-1084	33	SPJTH-6624	38
SPJH4SS-14128	35	SPJHSS-666	36	SPJSS-1086	33	SPJTH-6630	38
SPJH4SS-1486	35	SPJHSS6-664	36	SPJSS-12105	33	SPJTH-6636	38
SPJH4SS-16106	35	SPJHSS6-666	36	SPJSS-12108	33	SPJTH-6648	38
SPJH4SS-16146	35	SPJHSS6-863	36	SPJSS-12126	33	SPJTH-6660	38
SPJH4SS-16148	35	SPJHSS6-866	36	SPJSS-1264	33	SPJTH-6672	38
SPJH4SS-443	35	SPJHSS6-884	36	SPJSS-14126	33	SPJTH-8812	38
SPJH4SS-444	35	SPJHSS-863	36	SPJSS-14128	33	SPJTH-8824	38
SPJH4SS6-10106	35	SPJHSS-866	36	SPJSS-1486	33	SPJTH-8836	38
SPJH4SS6-1084	35	SPJHSS-884	36	SPJSS-16106	33	SPJTH-8848	38
SPJH4SS6-1086	35	SPJSC-10106	31	SPJSS-161410	33	SPJTH-8860	38
SPJH4SS6-12105	35	SPJSC-1084	31	SPJSS-16146	33	SPJTHSS-121224	38
SPJH4SS6-12108	35	SPJSC-1086	31	SPJSS-16148	33	SPJTHSS-121236	38
SPJH4SS6-12126	35	SPJSC-12105	31	SPJSS-443	33	SPJTHSS-121248	38
SPJH4SS6-1264	35	SPJSC-12108	31	SPJSS-444	33	SPJTHSS-121260	38
SPJH4SS6-14126	35	SPJSC-12126	31	SPJSS6-10106	33	SPJTHSS-2212	38
SPJH4SS6-14128	35	SPJSC-1264	31	SPJSS6-1084	33	SPJTHSS-2218	38
SPJH4SS6-1486	35	SPJSC-14126	31	SPJSS6-1086	33	SPJTHSS-2224	38
SPJH4SS6-16106	35	SPJSC-14128	31	SPJSS6-12105	33	SPJTHSS-2230	38
SPJH4SS6-16146	35	SPJSC-1486	31	SPJSS6-12108	33	SPJTHSS-2236	38
SPJH4SS6-16148	35	SPJSC-16106	31	SPJSS6-12126	33	SPJTHSS-2248	38
SPJH4SS-643	35	SPJSC-161410	31	SPJSS6-1264	33	SPJTHSS-2260	38
SPJH4SS-644	35	SPJSC-16146	31	SPJSS6-14126	33	SPJTHSS-2272	38
SPJH4SS6-443	35	SPJSC-16148	31	SPJSS6-14128	33	SPJTHSS-4412	38
SPJH4SS6-444	35	SPJSC-443	31	SPJSS6-1486	33	SPJTHSS-4418	38
SPJH4SS-664	35	SPJSC-444	31	SPJSS6-16106	33	SPJTHSS-4424	38
SPJH4SS6-643	35	SPJSC-643	31	SPJSS6-161410	33	SPJTHSS-4430	38
SPJH4SS6-644	35	SPJSC-644	31	SPJSS6-16146	33	SPJTHSS-4436	38
SPJH4SS-666	35	SPJSC-664	31	SPJSS6-16148	33	SPJTHSS-4448	38
SPJH4SS6-664	35	SPJSC-666	31	SPJSS-643	33	SPJTHSS-4460	38
SPJH4SS6-666	35	SPJSC-863	31	SPJSS-644	33	SPJTHSS-4472	38
SPJH4SS6-863	35	SPJSC-866	31	SPJSS6-443	33	SPJTHSS6-121224	38
SPJH4SS6-866	35	SPJSC-884	31	SPJSS6-444	33	SPJTHSS6-121236	38
SPJH4SS6-884	35	SPJSCSS-10106	31	SPJSS-664	33	SPJTHSS6-121248	38
SPJH4SS-863	35	SPJSCSS-1084	31	SPJSS6-643	33	SPJTHSS6-121260	38
SPJH4SS-866	35	SPJSCSS-1086	31	SPJSS6-644	33	SPJTHSS6-2212	38
SPJH4SS-884	35	SPJSCSS-12105	31	SPJSS-666	33	SPJTHSS6-2218	38
SPJH-643	36	SPJSCSS-12108	31	SPJSS6-664	33	SPJTHSS6-2224	38
SPJH-644	36	SPJSCSS-12126	31	SPJSS6-666	33	SPJTHSS6-2230	38
SPJH-664	36	SPJSCSS-1264	31	SPJSS6-863	33	SPJTHSS6-2236	38
SPJH-666	36	SPJSCSS-14126	31	SPJSS6-866	33	SPJTHSS6-2248	38
SPJH-863	36	SPJSCSS-14128	31	SPJSS6-884	33	SPJTHSS6-2260	38
SPJH-866	36	SPJSCSS-1486	31	SPJSS-863	33	SPJTHSS6-2272	38
SPJH-884	36	SPJSCSS-16106	31	SPJSS-866	33	SPJTHSS6-4412	38
SPJHSS-10106	36	SPJSCSS-161410	31	SPJSS-884	33	SPJTHSS6-4418	38
SPJHSS-1084	36	SPJSCSS-16146	31	SPJT-2212	34	SPJTHSS6-4424	38
SPJHSS-1086	36	SPJSCSS-16148	31	SPJT-2218	34	SPJTHSS6-4430	38
SPJHSS-12105	36	SPJSCSS-443	31	SPJT-2224	34	SPJTHSS6-4436	38
SPJHSS-12108	36	SPJSCSS-444	31	SPJT-4412	34	SPJTHSS6-4448	38

Catalog Number Index



Catalog #	Page #	Catalog #	Page #	Catalog #	Page #	Catalog #	Page #
SPJTHSS6-4460	38	SPLJH-36249	37	SPLRHC-303016	29	SPN1-1086	15
SPJTHSS6-4472	38	SPLJH-363013	37	SPLRHC-362412	29	SPN1-12104	15
SPJTHSS6-6612	38	SPLJH-36309	37	SPLRHC-363012	29	SPN1-12106	15
SPJTHSS6-6618	38	SPLJH-42309	37	SPLRHC-363612	29	SPN1-12124	15
SPJTHSS6-6624	38	SPLJH-42369	37	SPLRHC-423012	29	SPN1-12126	15
SPJTHSS6-6630	38	SPLJH-483611	37	SPLRHC-423612	29	SPN1-12128	15
SPJTHSS6-6636	38	SPLN1-16126	16	SPLRHC-483612	29	SPN1-14124	15
SPJTHSS6-6648	38	SPLN1-16128	16	SPLRHC-483616	29	SPN1-14126	15
SPJTHSS6-6660	38	SPLN1-16166	16	SPLRHC-603612	29	SPN1-14128	15
SPJTHSS6-6666	38	SPLN1-16206	16	SPLRHC-603616	29	SPN1-16126	15
SPJTHSS6-6684	38	SPLN1-20166	16	SPLRHCSS-16126	29	SPN1-20126	15
SPJTHSS6-6688	38	SPLN1-20168	16	SPLRHCSS-16166	29	SPN12-12246	50
SPJTHSS6-6696	38	SPLN1-20206	16	SPLRHCSS-20166	29	SPN12-12248	50
SPJTHSS6-6704	38	SPLN1-20208	16	SPLRHCSS-20208	29	SPN12-161210	51
SPJTHSS6-6712	38	SPLN1-20248	16	SPLRHCSS-24208	29	SPN12-16126	50
SPJTHSS6-6720	38	SPLN1-24166	16	SPLRHCSS-24248	29	SPN12-16128	50
SPJTHSS6-6728	38	SPLN1-242010	16	SPLRHCSS-30248	29	SPN12-16166	50
SPJTHSS6-6736	38	SPLN1-24206	16	SPLRHCSS-303012	29	SPN12-16168	50
SPJTHSS6-6744	38	SPLN1-24208	16	SPLRHCSS-303016	29	SPN12-16206	50
SPJTHSS6-6752	38	SPLN1-242412	16	SPLRHCSS-362412	29	SPN12-16208	50
SPJTHSS6-6760	38	SPLN1-24246	16	SPLRHCSS-363012	29	SPN12-20126	50
SPJTHSS6-6768	38	SPLN1-24248	16	SPLRHCSS-363612	29	SPN12-20128	50
SPJTHSS6-6776	38	SPLN1-30206	16	SPLRHCSS-423012	29	SPN12-201610	51
SPJTHSS6-6784	38	SPLN1-30208	16	SPLRHCSS-423612	29	SPN12-201612	51
SPJTHSS6-6792	38	SPLN1-302410	16	SPLRHCSS-483612	29	SPN12-20166	50
SPJTHSS6-6800	38	SPLN1-30246	16	SPLRHCSS-483616	29	SPN12-20168	50
SPJTHSS6-6808	38	SPLN1-30248	16	SPLRHCSS-603612	29	SPN12-20206	50
SPJTHSS6-6816	38	SPLN1-30308	16	SPLRHCSS-603616	29	SPN12-20208	50
SPJTHSS6-6824	38	SPLN1-36246	16	SPLRHCSS6-16126	29	SPN12-20246	50
SPJTHSS6-6832	38	SPLN1-36248	16	SPLRHCSS6-16166	29	SPN12-20248	50
SPJTHSS6-6840	38	SPLN1-363010	16	SPLRHCSS6-20166	29	SPN12-241210	51
SPJTHSS6-6848	38	SPLN1-363012	16	SPLRHCSS6-20208	29	SPN12-24126	50
SPJTHSS6-6856	38	SPLN1-36306	16	SPLRHCSS6-24208	29	SPN12-24166	50
SPJTHSS6-6864	38	SPLN1-36308	16	SPLRHCSS6-24248	29	SPN12-24168	50
SPJTHSS6-6872	38	SPLN1-42248	16	SPLRHCSS6-30248	29	SPN12-242010	51
SPJTHSS6-6880	38	SPLN1P-1612	121	SPLRHCSS6-303012	29	SPN12-242012	51
SPJTHSS6-6888	38	SPLN1P-1616	121	SPLRHCSS6-303016	29	SPN12-242016	51
SPJTHSS6-6896	38	SPLN1P-1620	121	SPLRHCSS6-362412	29	SPN12-24206	50
SPJTHSS6-6904	38	SPLN1P-2016	121	SPLRHCSS6-363012	29	SPN12-24208	50
SPJTHSS6-6912	38	SPLN1P-2020	121	SPLRHCSS6-363612	29	SPN12-242410	51
SPJTHSS6-6920	38	SPLN1P-2024	121	SPLRHCSS6-423012	29	SPN12-242412	51
SPJTHSS6-6928	38	SPLN1P-2416	121	SPLRHCSS6-423612	29	SPN12-242416	51
SPJTHSS6-6936	38	SPLN1P-2420	121	SPLRHCSS6-483612	29	SPN12-24246	50
SPJTHSS6-6944	38	SPLN1P-2424	121	SPLRHCSS6-483616	29	SPN12-24248	50
SPJTHSS6-6952	38	SPLN1P-3020	121	SPLRHCSS6-603612	29	SPN12-24308	50
SPJTHSS6-6960	38	SPLN1P-3024	121	SPLRHCSS6-603616	29	SPN12-30166	50
SPJTHSS6-6968	38	SPLN1P-3030	121	SP-MOD8418EP	126	SPN12-302010	51
SPJTHSS6-6976	38	SPLN1P-3624	121	SP-MOD8418FEP	126	SPN12-30206	50
SPJTHSS6-6984	38	SPLN1P-3630	121	SP-MOD8418GK	126	SPN12-30208	50
SPJTHSS6-6992	38	SPLN1P-4224	121	SP-MOD8424EP	126	SPN12-302410	51
SPJTHSS6-7000	38	SPLN1X-423011	18	SP-MOD8424FEP	126	SPN12-302412	51
SPJTHSS6-7008	38	SPLN1X-423013	18	SP-MOD8424GK	126	SPN12-302416	51
SPJTHSS6-7016	38	SPLN1X-42309	18	SP-MOD843918	95	SPN12-302420	51
SPJTHSS6-7024	38	SPLN1X-423611	18	SP-MOD843924	95	SPN12-302424	51
SPJTHSS6-7032	38	SPLN1X-423613	18	SP-MOD847718	96	SPN12-30246	50
SPJTHSS6-7040	38	SPLN1X-42369	18	SP-MOD847724	96	SPN12-30248	50
SPJTHSS6-7048	38	SPLN1X-483611	18	SP-MOD84X4018	95	SPN12-303012	51
SPJTHSS6-7056	38	SPLN1X-483613	18	SP-MOD84X4024	95	SPN12-30308	50
SPJTHSS6-7064	38	SPLN1X-483617	18	SP-MOD84X7818	96	SPN12-30368	50
SPJTHSS6-7072	38	SPLN1X-48369	18	SP-MOD84X7824	96	SPN12-362410	51
SPJTHSS6-7080	38	SPLOH-1086	26	SPMP-10104	23	SPN12-362412	51
SPJTHSS6-7088	38	SPLOH-12106	26	SPMP-1084	23	SPN12-36246	50
SPJTHSS6-7096	38	SPLOH-12126	26	SPMP-12106	23	SPN12-36248	50
SPJTHSS6-7104	38	SPLOH-16126	26	SPMP-12126	23	SPN12-363010	51
SPJTHSS6-7112	38	SPLOH-16166	26	SPMP-16126	23	SPN12-363012	51
SPJTHSS6-7120	38	SPLOH-20166	26	SPMP-16166	23	SPN12-363016	51
SPJTHSS6-7128	38	SPLOH-20208	26	SPMP-20166	23	SPN12-363020	51
SPJTHSS6-7136	38	SPLOH-24208	26	SPMP-20208	23	SPN12-36306	50
SPJTHSS6-7144	38	SPLOH-24248	26	SPMP-24208	23	SPN12-36308	50
SPJTHSS6-7152	38	SPLOH-30248	26	SPMP-24248	23	SPN12-363612	51
SPJTHSS6-7160	38	SPLOH-864	26	SPMP-30248	23	SPN12-36368	50
SPJTHSS6-7168	38	SPLOH-886	26	SPMP-362410	23	SPN1-24126	15
SPJTHSS6-7176	38	SPLRHC-16126	29	SPMP-363012	23	SPN12-42248	50
SPJTHSS6-7184	38	SPLRHC-16166	29	SPMP-363612	23	SPN12-423010	51
SPJTHSS6-7192	38	SPLRHC-20166	29	SPMP-664	23	SPN12-423010	51
SPJTHSS6-7200	38	SPLRHC-20208	29	SPMP-864	23	SPN12-423012	51
SPJTHSS6-7208	38	SPLRHC-24208	29	SPMP-884	23	SPN12-42308	50
SPJTHSS6-7216	38	SPLRHC-24248	29	SPN1-10104	15	SPN12-423610	51
SPJTHSS6-7224	38	SPLRHC-30248	29	SPN1-10106	15	SPN12-423612	51
SPJTHSS6-7232	38	SPLRHC-303012	29	SPN1-1084	15	SPN12-423616	51

Catalog #	Page #	Catalog #	Page #	Catalog #	Page #	Catalog #	Page #
SPN12-42368	50	SPN12AL-423010	51	SPN12SS-16206	50	SPN12SS6-16168	50
SPN12-48248	50	SPN12AL-423012	51	SPN12SS-16208	50	SPN12SS6-16206	50
SPN12-483010	51	SPN12AL-42308	50	SPN12SS-20126	50	SPN12SS6-16208	50
SPN12-48308	50	SPN12AL-423610	51	SPN12SS-20128	50	SPN12SS6-20126	50
SPN12-483610	51	SPN12AL-423612	51	SPN12SS-201610	51	SPN12SS6-20128	50
SPN12-483612	51	SPN12AL-423616	51	SPN12SS-201612	51	SPN12SS6-201610	51
SPN12-483616	51	SPN12AL-42368	50	SPN12SS-20166	50	SPN12SS6-201612	51
SPN12-483620	51	SPN12AL-48248	50	SPN12SS-20168	50	SPN12SS6-20166	50
SPN12-48368	51	SPN12AL-483010	51	SPN12SS-20206	50	SPN12SS6-20168	50
SPN12-603610	51	SPN12AL-48308	50	SPN12SS-20208	50	SPN12SS6-20206	50
SPN12-603612	51	SPN12AL-483610	51	SPN12SS-20246	50	SPN12SS6-20208	50
SPN12-603616	51	SPN12AL-483612	51	SPN12SS-20248	50	SPN12SS6-20246	50
SPN12-603620	51	SPN12AL-483616	51	SPN12SS-241210	51	SPN12SS6-20248	50
SPN12-60368	51	SPN12AL-483620	51	SPN12SS-24126	50	SPN12SS6-241210	51
SPN12-723012	51	SPN12AL-48368	51	SPN12SS-24166	50	SPN12SS6-24126	50
SPN12-723016	51	SPN12AL-603610	51	SPN12SS-24168	50	SPN12SS6-24166	50
SPN12-723020	51	SPN12AL-603612	51	SPN12SS-242010	51	SPN12SS6-24168	50
SPN12-723024	51	SPN12AL-603616	51	SPN12SS-242012	51	SPN12SS6-242010	51
SPN12-723612	51	SPN12AL-603620	51	SPN12SS-242016	51	SPN12SS6-242012	51
SPN12AL-12246	50	SPN12AL-60368	51	SPN12SS-24206	50	SPN12SS6-242016	51
SPN12AL-12248	50	SPN12AL-723012	51	SPN12SS-24208	50	SPN12SS6-24206	50
SPN12AL-161210	51	SPN12AL-723016	51	SPN12SS-242410	51	SPN12SS6-24208	50
SPN12AL-16126	50	SPN12AL-723020	51	SPN12SS-242412	51	SPN12SS6-242410	51
SPN12AL-16128	50	SPN12AL-723024	51	SPN12SS-242416	51	SPN12SS6-242412	51
SPN12AL-16166	50	SPN12AL-723612	51	SPN12SS-24246	50	SPN12SS6-24246	51
SPN12AL-16168	50	SPN12D-54428	64	SPN12SS-24248	50	SPN12SS6-24248	50
SPN12AL-16206	50	SPN12D-604810	64	SPN12SS-24308	50	SPN12SS6-24248	50
SPN12AL-16208	50	SPN12D-604812	64	SPN12SS-30166	50	SPN12SS6-24308	50
SPN12AL-20126	50	SPN12D-604816	64	SPN12SS-302010	51	SPN12SS6-30166	50
SPN12AL-20128	50	SPN12D-604820	64	SPN12SS-30206	50	SPN12SS6-302010	51
SPN12AL-201610	51	SPN12D-604824	64	SPN12SS-30208	50	SPN12SS6-30206	50
SPN12AL-201612	51	SPN12D-60488	64	SPN12SS-302410	51	SPN12SS6-30208	50
SPN12AL-20166	50	SPN12D-606010	64	SPN12SS-302412	51	SPN12SS6-302410	51
SPN12AL-20168	50	SPN12D-606012	64	SPN12SS-302416	51	SPN12SS6-302412	51
SPN12AL-20206	50	SPN12D-606024	64	SPN12SS-302420	51	SPN12SS6-302416	51
SPN12AL-20208	50	SPN12D-726010	64	SPN12SS-302424	51	SPN12SS6-302420	51
SPN12AL-20246	50	SPN12D-726012	64	SPN12SS-30246	50	SPN12SS6-302424	51
SPN12AL-20248	50	SPN12D-726024	64	SPN12SS-30248	50	SPN12SS6-30246	50
SPN12AL-241210	51	SPN12D-727210	64	SPN12SS-303012	51	SPN12SS6-30248	50
SPN12AL-24126	50	SPN12D-727212	64	SPN12SS-30308	50	SPN12SS6-303012	51
SPN12AL-24166	50	SPN12D-727224	64	SPN12SS-30368	50	SPN12SS6-30308	50
SPN12AL-24168	50	SPN12DSS-54428	64	SPN12SS-362410	51	SPN12SS6-30368	50
SPN12AL-242010	51	SPN12DSS-604810	64	SPN12SS-362412	51	SPN12SS6-362410	51
SPN12AL-242012	51	SPN12DSS-604812	64	SPN12SS-36246	50	SPN12SS6-362412	51
SPN12AL-242016	51	SPN12DSS-604816	64	SPN12SS-36248	50	SPN12SS6-36246	50
SPN12AL-24206	50	SPN12DSS-604820	64	SPN12SS-363010	51	SPN12SS6-36248	50
SPN12AL-24208	50	SPN12DSS-604824	64	SPN12SS-363012	51	SPN12SS6-363010	51
SPN12AL-242410	51	SPN12DSS-60488	64	SPN12SS-363016	51	SPN12SS6-363012	51
SPN12AL-242412	51	SPN12DSS-606010	64	SPN12SS-363020	51	SPN12SS6-363016	51
SPN12AL-242416	51	SPN12DSS-606012	64	SPN12SS-36306	50	SPN12SS6-363020	51
SPN12AL-24246	50	SPN12DSS-606024	64	SPN12SS-36308	50	SPN12SS6-36306	50
SPN12AL-24248	50	SPN12DSS6-54428	64	SPN12SS-363612	51	SPN12SS6-36308	50
SPN12AL-24308	50	SPN12DSS6-604810	64	SPN12SS-36368	50	SPN12SS6-363612	51
SPN12AL-30166	50	SPN12DSS6-604812	64	SPN12SS-42248	50	SPN12SS6-36368	50
SPN12AL-302010	51	SPN12DSS6-604816	64	SPN12SS-423010	51	SPN12SS6-42248	50
SPN12AL-30206	50	SPN12DSS6-604820	64	SPN12SS-423012	51	SPN12SS6-423010	51
SPN12AL-30208	50	SPN12DSS6-604824	64	SPN12SS-42308	50	SPN12SS6-423012	51
SPN12AL-302410	51	SPN12DSS6-60488	64	SPN12SS-423610	51	SPN12SS6-42308	50
SPN12AL-302412	51	SPN12DSS6-606010	64	SPN12SS-423612	51	SPN12SS6-423610	51
SPN12AL-302416	51	SPN12DSS6-606012	64	SPN12SS-423616	51	SPN12SS6-423612	51
SPN12AL-302424	51	SPN12DSS6-606024	64	SPN12SS-42368	50	SPN12SS6-423616	51
SPN12AL-30246	50	SPN12DSS6-726010	64	SPN12SS-48248	50	SPN12SS6-42368	50
SPN12AL-30248	50	SPN12DSS6-726012	64	SPN12SS-483010	51	SPN12SS6-48248	50
SPN12AL-303012	51	SPN12DSS6-726024	64	SPN12SS-48308	50	SPN12SS6-483010	51
SPN12AL-30308	50	SPN12DSS6-727210	64	SPN12SS-483610	51	SPN12SS6-48308	50
SPN12AL-30368	50	SPN12DSS6-727212	64	SPN12SS-483612	51	SPN12SS6-483610	51
SPN12AL-362410	51	SPN12DSS6-727224	64	SPN12SS-483616	51	SPN12SS6-483612	51
SPN12AL-362412	51	SPN12DSS-726010	64	SPN12SS-483620	51	SPN12SS6-483616	51
SPN12AL-362424	51	SPN12DSS-726012	64	SPN12SS-48368	51	SPN12SS6-483620	51
SPN12AL-36246	50	SPN12DSS-726024	64	SPN12SS-603610	51	SPN12SS6-48368	51
SPN12AL-36248	50	SPN12DSS-727210	64	SPN12SS-603612	51	SPN12SS6-603610	51
SPN12AL-363010	51	SPN12DSS-727212	64	SPN12SS-603616	51	SPN12SS6-603612	51
SPN12AL-363012	51	SPN12DSS-727224	64	SPN12SS-603620	51	SPN12SS6-603616	51
SPN12AL-363016	51	SPN12SS-12246	50	SPN12SS-60368	51	SPN12SS6-603620	51
SPN12AL-363020	51	SPN12SS-12248	50	SPN12SS6-12246	50	SPN12SS6-60368	51
SPN12AL-36306	50	SPN12SS-161210	51	SPN12SS6-12248	50	SPN12SS6-60368	51
SPN12AL-36308	50	SPN12SS-16126	50	SPN12SS6-161210	51	SPN12SS6-723012	51
SPN12AL-363612	51	SPN12SS-16128	50	SPN12SS6-16126	50	SPN12SS6-723016	51
SPN12AL-36368	50	SPN12SS-16166	50	SPN12SS6-16128	50	SPN12SS6-723024	51
SPN12AL-42248	50	SPN12SS-16168	50	SPN12SS6-16166	50		

Catalog Number Index



Catalog #	Page #	Catalog #	Page #	Catalog #	Page #	Catalog #	Page #
SPN12SS6-723612	51	SPN4-36368	47	SPN4AL-363012	48	SPN4DSS6-746024	62
SPN12SS-723012	51	SPN4-42248	47	SPN4AL-363016	48	SPN4DSS6-747210	62
SPN12SS-723016	51	SPN4-423010	48	SPN4AL-363020	48	SPN4DSS6-747212	62
SPN12SS-723020	51	SPN4-423012	48	SPN4AL-36306	47	SPN4DSS6-747216	62
SPN12SS-723024	51	SPN4-42308	47	SPN4AL-36308	47	SPN4DSS6-747220	62
SPN12SS-723612	51	SPN4-423610	48	SPN4AL-363612	48	SPN4DSS6-747224	62
SPN1-664	15	SPN4-423612	48	SPN4AL-36368	47	SPN4DSS-746010	62
SPN1-864	15	SPN4-423616	48	SPN4AL-42248	47	SPN4DSS-746012	62
SPN1-866	15	SPN4-42368	47	SPN4AL-423010	48	SPN4DSS-746016	62
SPN1-884	15	SPN4-48248	47	SPN4AL-423012	48	SPN4DSS-746020	62
SPN1P-1010	121	SPN4-483010	48	SPN4AL-42308	47	SPN4DSS-746024	62
SPN1P-108	121	SPN4-48308	47	SPN4AL-423610	48	SPN4DSS-747210	62
SPN1P-1210	121	SPN4-483610	48	SPN4AL-423612	48	SPN4DSS-747212	62
SPN1P-1212	121	SPN4-483612	48	SPN4AL-423616	48	SPN4DSS-747216	62
SPN1P-1412	121	SPN4-483616	48	SPN4AL-42368	47	SPN4DSS-747220	62
SPN1P-1612	121	SPN4-483620	48	SPN4AL-48248	47	SPN4DSS-747224	62
SPN1P-2012	121	SPN4-48368	47	SPN4AL-483010	48	SPN4FS-602518	66
SPN1P-2412	121	SPN4-603610	48	SPN4AL-48308	47	SPN4FS-603724	66
SPN1P-66	121	SPN4-603612	48	SPN4AL-483610	48	SPN4FS-722518	66
SPN1P-86	121	SPN4-603616	48	SPN4AL-483612	48	SPN4FS-722524	66
SPN1P-88	121	SPN4-603620	48	SPN4AL-483616	48	SPN4FS-722530	66
SPN4-12246	47	SPN4-60368	48	SPN4AL-483620	48	SPN4FS-723118	66
SPN4-12248	47	SPN4-723012	48	SPN4AL-48368	47	SPN4FS-723124	66
SPN4-161210	48	SPN4-723016	48	SPN4AL-603610	48	SPN4FS-723130	66
SPN4-16126	47	SPN4-723020	48	SPN4AL-603612	48	SPN4FS-723136	66
SPN4-16128	47	SPN4-723024	48	SPN4AL-603616	48	SPN4FS-723718	66
SPN4-16166	47	SPN4-723612	48	SPN4AL-603620	48	SPN4FS-723724	66
SPN4-16168	47	SPN4AL-12246	47	SPN4AL-60368	48	SPN4FS-723730	66
SPN4-16206	47	SPN4AL-12248	47	SPN4AL-723012	48	SPN4FS-723736	66
SPN4-16208	47	SPN4AL-161210	48	SPN4AL-723016	48	SPN4FS-902520	66
SPN4-20126	47	SPN4AL-16126	47	SPN4AL-723020	48	SPN4FS-902524	66
SPN4-20128	47	SPN4AL-16128	47	SPN4AL-723024	48	SPN4FS-902530	66
SPN4-201610	48	SPN4AL-16166	47	SPN4AL-723612	48	SPN4FS-903120	66
SPN4-201612	48	SPN4AL-16168	47	SPN4D-624810	62	SPN4FS-903124	66
SPN4-20166	47	SPN4AL-16206	47	SPN4D-624812	62	SPN4FS-903130	66
SPN4-20168	47	SPN4AL-16208	47	SPN4D-624816	62	SPN4FS-903720	66
SPN4-20206	47	SPN4AL-20126	47	SPN4D-624820	62	SPN4FS-903724	66
SPN4-20208	47	SPN4AL-20128	47	SPN4D-624824	62	SPN4FS-903730	66
SPN4-20246	47	SPN4AL-201610	48	SPN4D-62488	62	SPN4FS-903736	66
SPN4-20248	47	SPN4AL-201612	48	SPN4D-626010	62	SPN4FSSS-602518	66
SPN4-241210	48	SPN4AL-20166	47	SPN4D-626012	62	SPN4FSSS-603724	66
SPN4-24126	47	SPN4AL-20168	47	SPN4D-626016	62	SPN4FSSS6-602518	66
SPN4-24166	47	SPN4AL-20206	47	SPN4D-626020	62	SPN4FSSS6-603724	66
SPN4-24168	47	SPN4AL-20208	47	SPN4D-626024	62	SPN4FSSS6-722518	66
SPN4-242010	48	SPN4AL-20246	47	SPN4D-746010	62	SPN4FSSS6-722524	66
SPN4-242012	48	SPN4AL-20248	47	SPN4D-746012	62	SPN4FSSS6-722530	66
SPN4-242016	48	SPN4AL-241210	48	SPN4D-746016	62	SPN4FSSS6-723118	66
SPN4-24206	47	SPN4AL-24126	47	SPN4D-746020	62	SPN4FSSS6-723124	66
SPN4-24208	47	SPN4AL-24166	47	SPN4D-746024	62	SPN4FSSS6-723130	66
SPN4-242410	48	SPN4AL-24168	47	SPN4D-747210	62	SPN4FSSS6-723136	66
SPN4-242412	48	SPN4AL-242010	48	SPN4D-747212	62	SPN4FSSS6-723718	66
SPN4-242416	48	SPN4AL-242012	48	SPN4D-747216	62	SPN4FSSS6-723724	66
SPN4-24246	47	SPN4AL-242016	48	SPN4D-747220	62	SPN4FSSS6-723730	66
SPN4-24248	47	SPN4AL-24206	47	SPN4D-747224	62	SPN4FSSS6-723736	66
SPN4-24308	47	SPN4AL-24208	47	SPN4DSS-624810	62	SPN4FSSS6-902520	66
SPN4-30166	47	SPN4AL-242410	48	SPN4DSS-624812	62	SPN4FSSS6-902524	66
SPN4-302010	48	SPN4AL-242412	48	SPN4DSS-624816	62	SPN4FSSS6-902530	66
SPN4-30206	47	SPN4AL-242416	48	SPN4DSS-624820	62	SPN4FSSS6-903120	66
SPN4-30208	47	SPN4AL-24246	47	SPN4DSS-624824	62	SPN4FSSS6-903124	66
SPN4-302410	48	SPN4AL-24248	47	SPN4DSS-62488	62	SPN4FSSS6-903130	66
SPN4-302412	48	SPN4AL-24308	47	SPN4DSS-626010	62	SPN4FSSS6-903720	66
SPN4-302416	48	SPN4AL-30166	47	SPN4DSS-626012	62	SPN4FSSS6-903724	66
SPN4-302420	48	SPN4AL-302010	48	SPN4DSS-626016	62	SPN4FSSS6-903730	66
SPN4-302424	48	SPN4AL-30206	47	SPN4DSS-626020	62	SPN4FSSS6-903736	66
SPN4-30246	47	SPN4AL-30208	47	SPN4DSS-626024	62	SPN4FSSS-722518	66
SPN4-30248	47	SPN4AL-302410	48	SPN4DSS6-624810	62	SPN4FSSS-722524	66
SPN4-303012	48	SPN4AL-302412	48	SPN4DSS6-624812	62	SPN4FSSS-722530	66
SPN4-30308	47	SPN4AL-302416	48	SPN4DSS6-624816	62	SPN4FSSS-723118	66
SPN4-30368	47	SPN4AL-302420	48	SPN4DSS6-624820	62	SPN4FSSS-723124	66
SPN4-362410	48	SPN4AL-302424	48	SPN4DSS6-624824	62	SPN4FSSS-723130	66
SPN4-362412	48	SPN4AL-30246	47	SPN4DSS6-62488	62	SPN4FSSS-723136	66
SPN4-36246	47	SPN4AL-30248	47	SPN4DSS6-626010	62	SPN4FSSS-723718	66
SPN4-36248	47	SPN4AL-303012	48	SPN4DSS6-626012	62	SPN4FSSS-723724	66
SPN4-363010	48	SPN4AL-30308	47	SPN4DSS6-626016	62	SPN4FSSS-723730	66
SPN4-363012	48	SPN4AL-30368	47	SPN4DSS6-626020	62	SPN4FSSS-723736	66
SPN4-363016	48	SPN4AL-362410	48	SPN4DSS6-626024	62	SPN4FSSS-902520	66
SPN4-363020	48	SPN4AL-362412	48	SPN4DSS6-746010	62	SPN4FSSS-902524	66
SPN4-36306	47	SPN4AL-36246	47	SPN4DSS6-746012	62	SPN4FSSS-902530	66
SPN4-36308	47	SPN4AL-36248	47	SPN4DSS6-746016	62	SPN4FSSS-903120	66
SPN4-363612	48	SPN4AL-363010	48	SPN4DSS6-746020	62	SPN4FSSS-903124	66

Data subject to change without notice

4680 Nash Road, Scott City, MO 63780
866-nema-box • 573-722-5591 • FAX: 573-722-5489
www.electrical-enclosures.com

Catalog #	Page #	Catalog #	Page #	Catalog #	Page #	Catalog #	Page #
SPN4FSSS-903130	66	SPN4SS-48368	47	SPN4SS6-483620	48	SPPB-4S	39
SPN4FSSS-903720	66	SPN4SS-603610	48	SPN4SS6-48368	47	SPPB-4S-M	39
SPN4FSSS-903724	66	SPN4SS-603612	48	SPN4SS6-603610	48	SPPB-5	39
SPN4FSSS-903730	66	SPN4SS-603616	48	SPN4SS6-603612	48	SPPB-5-M	39
SPN4FSSS-903736	66	SPN4SS-603620	48	SPN4SS6-603616	48	SPPB-6	39
SPN4SS-12246	47	SPN4SS-60368	48	SPN4SS6-603620	48	SPPB-6-M	39
SPN4SS-12248	47	SPN4SS6-12246	47	SPN4SS6-60368	48	SPPB-6VL	39
SPN4SS-161210	48	SPN4SS6-12248	47	SPN4SS6-723012	48	SPPB-6VL-M	39
SPN4SS-16126	47	SPN4SS6-161210	48	SPN4SS6-723016	48	SPPB-7	39
SPN4SS-16128	47	SPN4SS6-16126	47	SPN4SS6-723020	48	SPPB-7-M	39
SPN4SS-16166	47	SPN4SS6-16128	47	SPN4SS6-723024	48	SPPB-8	39
SPN4SS-16168	47	SPN4SS6-16166	47	SPN4SS6-723612	48	SPPB-8-M	39
SPN4SS-16206	47	SPN4SS6-16168	47	SPN4SS-723012	48	SPPB-9	39
SPN4SS-16208	47	SPN4SS6-16206	47	SPN4SS-723016	48	SPPB-9-M	39
SPN4SS-20126	47	SPN4SS6-16208	47	SPN4SS-723020	48	SPPB-9VL	39
SPN4SS-20128	47	SPN4SS6-20126	47	SPN4SS-723024	48	SPPB-9VL-M	39
SPN4SS-201610	48	SPN4SS6-20128	47	SPN4SS-723612	48	SPPBA-1	43
SPN4SS-201612	48	SPN4SS6-201610	48	SPP-1224	122	SPPBA-10	43
SPN4SS-20166	47	SPN4SS6-201612	48	SPP-1612	122	SPPBA-10-M	43
SPN4SS-20168	47	SPN4SS6-20166	47	SPP-1616	122	SPPBA-12	43
SPN4SS-20206	47	SPN4SS6-20168	47	SPP-2012	122	SPPBA-12-M	43
SPN4SS-20208	47	SPN4SS6-20206	47	SPP-2016	122	SPPBA-12S	43
SPN4SS-20246	47	SPN4SS6-20208	47	SPP-2020	122	SPPBA-12S-M	43
SPN4SS-20248	47	SPN4SS6-20246	47	SPP-2416	122	SPPBA-16	43
SPN4SS-241210	48	SPN4SS6-20248	47	SPP-2420	122	SPPBA-16-M	43
SPN4SS-24126	47	SPN4SS6-241210	48	SPP-2424	122	SPPBA-16S	43
SPN4SS-24166	47	SPN4SS6-24126	47	SPP-3016	122	SPPBA-16S-M	43
SPN4SS-24168	47	SPN4SS6-24166	47	SPP-3020	108	SPPBA-1-M	43
SPN4SS-242010	48	SPN4SS6-24168	47	SPP-3020	108	SPPBA-2	43
SPN4SS-242012	48	SPN4SS6-242010	48	SPP-3020	122	SPPBA-20	43
SPN4SS-242016	48	SPN4SS6-242012	48	SPP-3024	122	SPPBA-20-M	43
SPN4SS-24206	47	SPN4SS6-242016	48	SPP-3030	108	SPPBA-25	43
SPN4SS-24208	47	SPN4SS6-24206	47	SPP-3030	122	SPPBA-25-M	43
SPN4SS-242410	48	SPN4SS6-24208	47	SPP-30X15	108	SPPBA-2-M	43
SPN4SS-242412	48	SPN4SS6-242410	48	SPP-30X21	108	SPPBA-3	43
SPN4SS-242416	48	SPN4SS6-242412	48	SPP-30X27	108	SPPBA-30	43
SPN4SS-24246	47	SPN4SS6-242416	48	SPP-30X33	108	SPPBA-30-M	43
SPN4SS-24248	47	SPN4SS6-24246	47	SPP-30X39	108	SPPBA-3-M	43
SPN4SS-24308	47	SPN4SS6-24248	47	SPP-30X45	108	SPPBA-4	43
SPN4SS-30166	47	SPN4SS6-24308	47	SPP-3624	122	SPPBA-4-M	43
SPN4SS-302010	48	SPN4SS6-30166	47	SPP-3630	122	SPPBA-4S	43
SPN4SS-30206	47	SPN4SS6-302010	48	SPP-3636	122	SPPBA-4S-M	43
SPN4SS-30208	47	SPN4SS6-30206	47	SPP-4224	122	SPPBA-6	43
SPN4SS-302410	48	SPN4SS6-30208	47	SPP-4230	122	SPPBA-6-M	43
SPN4SS-302412	48	SPN4SS6-302410	48	SPP-4236	122	SPPBA-8	43
SPN4SS-302416	48	SPN4SS6-302412	48	SPP-4242	122	SPPBA-8-M	43
SPN4SS-302420	48	SPN4SS6-302416	48	SPP-4248	122	SPPBA-9	43
SPN4SS-302424	48	SPN4SS6-302420	48	SPP-4824	122	SPPBA-9-M	43
SPN4SS-30246	47	SPN4SS6-302424	48	SPP-4830	122	SPPBASS-1	43
SPN4SS-30248	47	SPN4SS6-30246	47	SPP-4836	122	SPPBASS-10	43
SPN4SS-303012	48	SPN4SS6-30248	47	SPP-4848	122	SPPBASS-10-M	43
SPN4SS-30308	47	SPN4SS6-303012	48	SPP-6030	122	SPPBASS-12	43
SPN4SS-30368	47	SPN4SS6-30308	47	SPP-6036	122	SPPBASS-12-M	43
SPN4SS-362410	48	SPN4SS6-30368	47	SPP-6048	122	SPPBASS-12S	43
SPN4SS-362412	48	SPN4SS6-362410	48	SPP-6060	122	SPPBASS-12S-M	43
SPN4SS-36246	47	SPN4SS6-362412	48	SPP-7230	122	SPPBASS-16	43
SPN4SS-36248	47	SPN4SS6-36246	47	SPP-7236	122	SPPBASS-16-M	43
SPN4SS-363010	48	SPN4SS6-36248	47	SPPA-1212	21	SPPBASS-16S	43
SPN4SS-363012	48	SPN4SS6-363010	48	SPPA-22	21	SPPBASS-16S-M	43
SPN4SS-363016	48	SPN4SS6-363012	48	SPPA-44	21	SPPBASS-1-M	43
SPN4SS-363020	48	SPN4SS6-363016	48	SPPA-66	21	SPPBASS-2	43
SPN4SS-36306	47	SPN4SS6-363020	48	SPPA-88	21	SPPBASS-20	43
SPN4SS-36308	47	SPN4SS6-36306	47	SPPB-1	39	SPPBASS-20-M	43
SPN4SS-363612	48	SPN4SS6-36308	47	SPPB-10	39	SPPBASS-25	43
SPN4SS-36368	47	SPN4SS6-363612	48	SPPB-10-M	39	SPPBASS-25-M	43
SPN4SS-42248	47	SPN4SS6-36368	47	SPPB-12	39	SPPBASS-2-M	43
SPN4SS-423010	48	SPN4SS6-42248	47	SPPB-12-M	39	SPPBASS-3	43
SPN4SS-423012	48	SPN4SS6-423010	48	SPPB-16	39	SPPBASS-30	43
SPN4SS-42308	47	SPN4SS6-423012	48	SPPB-16-M	39	SPPBASS-30-M	43
SPN4SS-423610	48	SPN4SS6-42308	47	SPPB-1-M	39	SPPBASS-3-M	43
SPN4SS-423612	48	SPN4SS6-423610	48	SPPB-2	39	SPPBASS-4	43
SPN4SS-423616	48	SPN4SS6-423612	48	SPPB-20	39	SPPBASS-4-M	43
SPN4SS-42368	47	SPN4SS6-423616	48	SPPB-20-M	39	SPPBASS-4S	43
SPN4SS-48248	47	SPN4SS6-42368	47	SPPB-25	39	SPPBASS-4S-M	43
SPN4SS-483010	48	SPN4SS6-48248	47	SPPB-25-M	39	SPPBASS-6	43
SPN4SS-48308	47	SPN4SS6-483010	48	SPPB-2-M	39	SPPBASS-6-M	43
SPN4SS-483610	48	SPN4SS6-48308	47	SPPB-3	39	SPPBASS-8	43
SPN4SS-483612	48	SPN4SS6-483610	48	SPPB-3-M	39	SPPBASS-8-M	43
SPN4SS-483616	48	SPN4SS6-483612	48	SPPB-4	39	SPPBASS-9	43
SPN4SS-483620	48	SPN4SS6-483616	48	SPPB-4-M	39	SPPBASS-9-M	43

Catalog Number Index



Catalog #	Page #	Catalog #	Page #	Catalog #	Page #	Catalog #	Page #
SPPBSS-1	39	SPPBXDSS-3	41	SPPJ-1614	121	SPRHCSS6-886N	28
SPPBSS-10	39	SPPBXDSS-30	41	SPPJ-1616	121	SPRHCSS-864N	28
SPPBSS-10-M	39	SPPBXDSS-30-M	41	SPPJ-64	121	SPRHCSS-884N	28
SPPBSS-12	39	SPPBXDSS-36	41	SPPJ-66	121	SPRHCSS-886N	28
SPPBSS-12-M	39	SPPBXDSS-36-M	41	SPPJ-86	121	SPRSC-10104	24
SPPBSS-16	39	SPPBXDSS-3-M	41	SPPJ-88	121	SPRSC-10106	24
SPPBSS-16-M	39	SPPBXDSS-4	41	SP-PP991C	115	SPRSC-1084	24
SPPBSS-1-M	39	SPPBXDSS-4-M	41	SP-PP991SS	115	SPRSC-1086	24
SPPBSS-2	39	SPPBXDSS-4S	41	SP-PP991SS6	115	SPRSC-12104	24
SPPBSS-20	39	SPPBXDSS-4S-M	41	SP-PPLRGC	115	SPRSC-12106	24
SPPBSS-20-M	39	SPPBXDSS-6	41	SP-PPLRGSS	115	SPRSC-121210	24
SPPBSS-25	39	SPPBXDSS-6-M	41	SP-PPLRGSS6	115	SPRSC-12124	24
SPPBSS-25-M	39	SPPBXDSS-9	41	SP-PPSMC	115	SPRSC-12126	24
SPPBSS-2-M	39	SPPBXDSS-9-M	41	SP-PPSMSS	115	SPRSC-12128	24
SPPBSS-3	39	SPPBYX-12	44	SP-PPSMSS6	115	SPRSC-12186	24
SPPBSS-3-M	39	SPPBYX-12-M	44	SPPSL-1	45	SPRSC-1264	24
SPPBSS-4	39	SPPBYX-16	44	SPPSL-10	45	SPRSC-1266	24
SPPBSS-4-M	39	SPPBYX-16-M	44	SPPSL-10-M	45	SPRSC-1284	24
SPPBSS-4S	39	SPPBYX-20	44	SPPSL-1-M	45	SPRSC-1286	24
SPPBSS-4S-M	39	SPPBYX-20-M	44	SPPSL-2	45	SPRSC-15124	24
SPPBSS-5	39	SPPBYX-25	44	SPPSL-2-M	45	SPRSC-15126	24
SPPBSS-5-M	39	SPPBYX-25-M	44	SPPSL-3	45	SPRSC-161610	24
SPPBSS-6	39	SPPBYX-30	44	SPPSL-3-M	45	SPRSC-18124	24
SPPBSS-6-M	39	SPPBYX-30-M	44	SPPSL-4	45	SPRSC-18126	24
SPPBSS-6VL	39	SPPBYX-36	44	SPPSL-4-M	45	SPRSC-18128	24
SPPBSS-6VL-M	39	SPPBYX-36-M	44	SPPSL-5	45	SPRSC-18156	24
SPPBSS-7	39	SPPBYX-42	44	SPPSL-5-M	45	SPRSC-18158	24
SPPBSS-7-M	39	SPPBYX-42-M	44	SPPSL-6	45	SPRSC-181812	24
SPPBSS-8	39	SPPBYX-4S	44	SPPSL-6-M	45	SPRSC-18186	24
SPPBSS-8-M	39	SPPBYX-4S-M	44	SPPSL-7	45	SPRSC-18188	24
SPPBSS-9	39	SPPBYX-6	44	SPPSL-7-M	45	SPRSC-24126	24
SPPBSS-9-M	39	SPPBYX-6-M	44	SPPSL-8	45	SPRSC-24154	24
SPPBSS-9VL	39	SPPBYX-9	44	SPPSL-8-M	45	SPRSC-24156	24
SPPBSS-9VL-M	39	SPPBYX-9-M	44	SPPSL-9	45	SPRSC-241812	24
SPPBXD-1	41	SPPBYXSS-12	44	SPPSL-9-M	45	SPRSC-24184	24
SPPBXD-10	41	SPPBYXSS-12-M	44	SPPSLSS-1	45	SPRSC-24186	24
SPPBXD-10-M	41	SPPBYXSS-16	44	SPPSLSS-10	45	SPRSC-24188	24
SPPBXD-12	41	SPPBYXSS-16-M	44	SPPSLSS-10-M	45	SPRSC-242412	24
SPPBXD-12-M	41	SPPBYXSS-20	44	SPPSLSS-1-M	45	SPRSC-242416	24
SPPBXD-16	41	SPPBYXSS-20-M	44	SPPSLSS-2	45	SPRSC-24248	24
SPPBXD-16-M	41	SPPBYXSS-25	44	SPPSLSS-2-M	45	SPRSC-30248	24
SPPBXD-16V	41	SPPBYXSS-25-M	44	SPPSLSS-3	45	SPRSC-303016	24
SPPBXD-16V-M	41	SPPBYXSS-30	44	SPPSLSS-3-M	45	SPRSC-362412	24
SPPBXD-1-M	41	SPPBYXSS-30-M	44	SPPSLSS-4	45	SPRSC-363012	24
SPPBXD-2	41	SPPBYXSS-36	44	SPPSLSS-4-M	45	SPRSC-363616	24
SPPBXD-20	41	SPPBYXSS-36-M	44	SPPSLSS-5	45	SPRSC-423612	24
SPPBXD-20-M	41	SPPBYXSS-42	44	SPPSLSS-5-M	45	SPRSC-444	24
SPPBXD-25	41	SPPBYXSS-42-M	44	SPPSLSS-6	45	SPRSC-483612	24
SPPBXD-25-M	41	SPPBYXSS-4S	44	SPPSLSS-6-M	45	SPRSC-644	24
SPPBXD-2-M	41	SPPBYXSS-4S-M	44	SPPSLSS-7	45	SPRSC-664	24
SPPBXD-3	41	SPPBYXSS-6	44	SPPSLSS-7-M	45	SPRSC-666	24
SPPBXD-30	41	SPPBYXSS-6-M	44	SPPSLSS-8	45	SPRSC-864	24
SPPBXD-30-M	41	SPPBYXSS-9	44	SPPSLSS-8-M	45	SPRSC-866	24
SPPBXD-36	41	SPPBYXSS-9-M	44	SPPSLSS-9	45	SPRSC-884	24
SPPBXD-36-M	41	SPPEN-1	42	SPPSLSS-9-M	45	SPRSC-886	24
SPPBXD-3-M	41	SPPEN-2	42	SPR-1210	21	SPRSCG-4412	22
SPPBXD-4	41	SPPEN-3	42	SPR-128	21	SPRSCG-4424	22
SPPBXD-4-M	41	SPPEN-4	42	SPR-42	21	SPRSCG-4436	22
SPPBXD-4S	41	SPPEN-5	42	SPR-64	21	SPRSCG-4448	22
SPPBXD-4S-M	41	SPPEN-6	42	SPR-86	21	SPRSCG-4460	22
SPPBXD-6	41	SPPEN-7	42	SPRH-2000	137	SPRSCG-4472	22
SPPBXD-6-M	41	SPPEN-8	42	SPRH-25/3000	137	SPRSCG-6612	22
SPPBXD-9	41	SPPENSS-1	42	SPRH-5/6/7000	137	SPRSCG-6624	22
SPPBXD-9-M	41	SPPENSS-2	42	SPRHC-1086	28	SPRSCG-6636	22
SPPBXDSS-1	41	SPPENSS-3	42	SPRHC-12106	28	SPRSCG-6648	22
SPPBXDSS-10	41	SPPENSS-4	42	SPRHC-12126	28	SPRSCG-6660	22
SPPBXDSS-10-M	41	SPPENSS-5	42	SPRHC-664	28	SPRSCG-6672	22
SPPBXDSS-12	41	SPPENSS-6	42	SPRHC-864	28	SPRSCG-8812	22
SPPBXDSS-12-M	41	SPPENSS-7	42	SPRHC-884	28	SPRSCG-8824	22
SPPBXDSS-16	41	SPPENSS-8	42	SPRHC-886	28	SPRSCG-8836	22
SPPBXDSS-16-M	41	SPPJ-1010	121	SPRHCSS-1086N	28	SPRSCG-8848	22
SPPBXDSS-16V	41	SPPJ-108	121	SPRHCSS-12106N	28	SPRSCG-8860	22
SPPBXDSS-16V-M	41	SPPJ-1210	121	SPRHCSS-12126N	28	SPRSCG-8872	22
SPPBXDSS-1-M	41	SPPJ-1212	121	SPRHCSS6-1086N	28	SPS-121210N	19
SPPBXDSS-2	41	SPPJ-1224	121	SPRHCSS6-12106N	28	SPS-12121N	19
SPPBXDSS-20	41	SPPJ-126	121	SPRHCSS6-12126N	28	SPS-12122N	19
SPPBXDSS-20-M	41	SPPJ-1412	121	SPRHCSS-664N	28	SPS-12123N	19
SPPBXDSS-25	41	SPPJ-148	121	SPRHCSS6-664N	28	SPS-12124N	19
SPPBXDSS-25-M	41	SPPJ-1610	121	SPRHCSS6-864N	28	SPS-12125N	19
SPPBXDSS-2-M	41	SPPJ-1612	121	SPRHCSS6-884N	28	SPS-221	19

Catalog #	Page #	Catalog #	Page #	Catalog #	Page #	Catalog #	Page #
SPS-2210	19	SPSC-18184N	7	SPSDN12-483812	80	SPSDN12SS6-242210	80
SPS-2210N	19	SPSC-18186	7	SPSDN12-483812-H	78	SPSDN12SS6-242210-H	78
SPS-221N	19	SPSC-18186N	7	SPSDN12-483816	80	SPSDN12SS6-24228	80
SPS-222	19	SPSC-24186	7	SPSDN12-483816-H	78	SPSDN12SS6-24228-H	78
SPS-222N	19	SPSC-24186N	7	SPSDN12-48388	80	SPSDN12SS6-242610	80
SPS-223	19	SPSC-24246	7	SPSDN12-48388-H	78	SPSDN12SS6-242610-H	78
SPS-223N	19	SPSC-24246N	7	SPSDN12-603810	80	SPSDN12SS6-24268	80
SPS-224	19	SPSC-24248	7	SPSDN12-603810-H	78	SPSDN12SS6-24268-H	78
SPS-224N	19	SPSC-24248N	7	SPSDN12-603812A	80	SPSDN12SS6-302210	80
SPS-225	19	SPSC-30246	7	SPSDN12-603812A-H	78	SPSDN12SS6-302210-H	78
SPS-225N	19	SPSC-30246N	7	SPSDN12-603816	80	SPSDN12SS6-30228	80
SPS-441	19	SPSC-30248N	7	SPSDN12-603816-H	78	SPSDN12SS6-30228-H	78
SPS-4410	19	SPSC-30308N	7	SPSDN12-60388	80	SPSDN12SS6-302610	80
SPS-4410N	19	SPSC-36248N	7	SPSDN12-60388-H	78	SPSDN12SS6-302610-H	78
SPS-441N	19	SPSC-36308N	7	SPSDN12SS-202210	80	SPSDN12SS6-302612	80
SPS-442	19	SPSC-363612N	7	SPSDN12SS-202210-H	78	SPSDN12SS6-302612-H	78
SPS-442N	19	SPSC-444	7	SPSDN12SS-20228	80	SPSDN12SS6-30268	80
SPS-443	19	SPSC-444N	7	SPSDN12SS-20228-H	78	SPSDN12SS6-30268-H	78
SPS-443N	19	SPSC-644	7	SPSDN12SS-242210	80	SPSDN12SS6-3026810	80
SPS-444	19	SPSC-644N	7	SPSDN12SS-242210-H	78	SPSDN12SS6-3026810-H	78
SPS-444N	19	SPSC-664	7	SPSDN12SS-24228	80	SPSDN12SS6-3026812	80
SPS-445	19	SPSC-664N	7	SPSDN12SS-24228-H	78	SPSDN12SS6-3026812-H	78
SPS-445N	19	SPSC-666	7	SPSDN12SS-242610	80	SPSDN12SS6-3026812-H	80
SPS-661	19	SPSC-666N	7	SPSDN12SS-242610-H	78	SPSDN12SS6-3026812-H	78
SPS-6610	19	SPSC-864	7	SPSDN12SS-24268	80	SPSDN12SS6-3026812-H	80
SPS-6610N	19	SPSC-864N	7	SPSDN12SS-24268-H	78	SPSDN12SS6-3026812-H	78
SPS-661N	19	SPSC-866	7	SPSDN12SS-302210	80	SPSDN12SS6-3026812-H	80
SPS-662	19	SPSC-866N	7	SPSDN12SS-302210-H	78	SPSDN12SS6-3026812-H	78
SPS-662N	19	SPSC-884	7	SPSDN12SS-30228	80	SPSDN12SS6-3026812-H	80
SPS-663	19	SPSC-884N	7	SPSDN12SS-30228-H	78	SPSDN12SS6-3026812-H	78
SPS-663N	19	SPSC-886	7	SPSDN12SS-302610	80	SPSDN12SS6-423210	80
SPS-664	19	SPSC-886N	7	SPSDN12SS-302610-H	78	SPSDN12SS6-423210-H	78
SPS-664N	19	SPSDN12-202210	80	SPSDN12SS-302612	80	SPSDN12SS6-423212	80
SPS-665	19	SPSDN12-202210-H	78	SPSDN12SS-302612-H	78	SPSDN12SS6-423212-H	78
SPS-665N	19	SPSDN12-20228	80	SPSDN12SS-30268	80	SPSDN12SS6-42328	80
SPS-881	19	SPSDN12-20228-H	78	SPSDN12SS-30268-H	78	SPSDN12SS6-42328-H	78
SPS-8810	19	SPSDN12-242210	80	SPSDN12SS-302610	80	SPSDN12SS6-423810	80
SPS-8810N	19	SPSDN12-242210-H	78	SPSDN12SS-362610-H	78	SPSDN12SS6-423810-H	78
SPS-881N	19	SPSDN12-24228	80	SPSDN12SS-36268	80	SPSDN12SS6-423812	80
SPS-882	19	SPSDN12-24228-H	78	SPSDN12SS-36268-H	78	SPSDN12SS6-423812-H	78
SPS-882N	19	SPSDN12-242610	80	SPSDN12SS-363210	80	SPSDN12SS6-42388	80
SPS-883	19	SPSDN12-242610-H	78	SPSDN12SS-363210-H	78	SPSDN12SS6-42388-H	78
SPS-883N	19	SPSDN12-24268	80	SPSDN12SS-363212	80	SPSDN12SS6-483810	80
SPS-884	19	SPSDN12-24268-H	78	SPSDN12SS-363212-H	78	SPSDN12SS6-483810-H	78
SPS-884N	19	SPSDN12-302210	80	SPSDN12SS-363216	80	SPSDN12SS6-483812	80
SPS-885	19	SPSDN12-302210-H	78	SPSDN12SS-363216-H	78	SPSDN12SS6-483812-H	78
SPS-885N	19	SPSDN12-30228	80	SPSDN12SS-36328	80	SPSDN12SS6-483816	80
SPSC-10104	7	SPSDN12-30228-H	78	SPSDN12SS-36328-H	78	SPSDN12SS6-483816-H	78
SPSC-10104N	7	SPSDN12-302610	80	SPSDN12SS-423210	80	SPSDN12SS6-48388	80
SPSC-10106	7	SPSDN12-302610-H	78	SPSDN12SS-423210-H	78	SPSDN12SS6-48388-H	78
SPSC-10106N	7	SPSDN12-302612	80	SPSDN12SS-423212	80	SPSDN12SS6-603810	80
SPSC-1084	7	SPSDN12-302612-H	78	SPSDN12SS-423212-H	78	SPSDN12SS6-603810-H	78
SPSC-1084N	7	SPSDN12-30268	80	SPSDN12SS-42328	80	SPSDN12SS6-603812A	80
SPSC-1086	7	SPSDN12-30268-H	78	SPSDN12SS-42328-H	78	SPSDN12SS6-603812A-H	78
SPSC-1086N	7	SPSDN12-362610	80	SPSDN12SS-423810	80	SPSDN12SS6-603816	80
SPSC-12104	7	SPSDN12-362610-H	78	SPSDN12SS-423810-H	78	SPSDN12SS6-603816-H	78
SPSC-12104N	7	SPSDN12-36268	80	SPSDN12SS-423812	80	SPSDN12SS6-60388	80
SPSC-12106	7	SPSDN12-36268-H	78	SPSDN12SS-423812-H	78	SPSDN12SS6-60388-H	78
SPSC-12106N	7	SPSDN12-363210	80	SPSDN12SS-42388	80	SPSF-1010	9
SPSC-12124	7	SPSDN12-363210-H	78	SPSDN12SS-42388-H	78	SPSF-108	9
SPSC-12124N	7	SPSDN12-363212	80	SPSDN12SS-483810	80	SPSF-1210	9
SPSC-12126	7	SPSDN12-363212-H	78	SPSDN12SS-483810-H	78	SPSF-1212	9
SPSC-12126N	7	SPSDN12-363216	80	SPSDN12SS-483812	80	SPSF-126	9
SPSC-1264	7	SPSDN12-363216-H	78	SPSDN12SS-483812-H	78	SPSF-128	9
SPSC-1264N	7	SPSDN12-36328	80	SPSDN12SS-483816	80	SPSF-1512	9
SPSC-1266	7	SPSDN12-36328-H	78	SPSDN12SS-483816-H	78	SPSF-1515	9
SPSC-1266N	7	SPSDN12-423210	80	SPSDN12SS-48388	80	SPSF-1812	9
SPSC-1284	7	SPSDN12-423210-H	78	SPSDN12SS-48388-H	78	SPSF-1815	9
SPSC-1284N	7	SPSDN12-423212	80	SPSDN12SS-603810	80	SPSF-1818	9
SPSC-1286	7	SPSDN12-423212-H	78	SPSDN12SS-603810-H	78	SPSF-2418	9
SPSC-1286N	7	SPSDN12-42328	80	SPSDN12SS-603812A	80	SPSF-2424	9
SPSC-15154	7	SPSDN12-42328-H	78	SPSDN12SS-603812A-H	78	SPSF-44	9
SPSC-15154N	7	SPSDN12-423810	80	SPSDN12SS-603816	80	SPSF-64	9
SPSC-18124	7	SPSDN12-423810-H	78	SPSDN12SS-603816-H	78	SPSF-66	9
SPSC-18124N	7	SPSDN12-423812	80	SPSDN12SS-60388	80	SPSF-86	9
SPSC-18126	7	SPSDN12-423812-H	78	SPSDN12SS-60388-H	78	SPSF-88	9
SPSC-18126N	7	SPSDN12-42388	80	SPSDN12SS6-202210	80	SP-Shelf18	115
SPSC-18154	7	SPSDN12-42388-H	78	SPSDN12SS6-202210-H	78	SP-Shelf24	115
SPSC-18154N	7	SPSDN12-483810	80	SPSDN12SS6-20228	80	SPSKT-1236	116
SPSC-18184	7	SPSDN12-483810-H	78	SPSDN12SS6-20228-H	78	SPSKT-1242	116

Catalog Number Index



Catalog #	Page #	Catalog #	Page #	Catalog #	Page #	Catalog #	Page #
SPSKT-1248	116	SPSW1E-1224	127	SPSW1R-4230	127	SPSW2R-3024	128
SPSKT-1260	116	SPSWE1-1612	127	SPSW1R-4236	127	SPSW2R-3030	128
SPSKT-1272	116	SPSWE1-1616	127	SPSW1R-4824	127	SPSW2R-3036	128
SPSKT-1836	116	SPSWE1-1620	127	SPSW1R-4830	127	SPSW2R-3624	128
SPSKT-1842	116	SPSWE1-2012	127	SPSW1R-4836	127	SPSW2R-3630	128
SPSKT-1848	116	SPSWE1-2016	127	SPSW1R-6036	127	SPSW2R-3636	128
SPSKT-1860	116	SPSWE1-2020	127	SPSW1R-7230	127	SPSW2R-4224	128
SPSKT-1872	116	SPSWE1-2024	127	SPSW2E-1224	128	SPSW2R-4230	128
SPSKT-2436	116	SPSWE1-2412	127	SPSW2E-1612	128	SPSW2R-4236	128
SPSKT-2442	116	SPSWE1-2416	127	SPSW2E-1616	128	SPSW2R-4824	128
SPSKT-2448	116	SPSWE1-2420	127	SPSW2E-1620	128	SPSW2R-4830	128
SPSKT-2460	116	SPSWE1-2424	127	SPSW2E-2012	128	SPSW2R-4836	128
SPSKT-2472	116	SPSWE1-2430	127	SPSW2E-2016	128	SPSW2R-6036	128
SPSKT-636	116	SPSWE1-3016	127	SPSW2E-2020	128	SPSW2R-7230	128
SPSKT-642	116	SPSWE1-3020	127	SPSW2E-2024	128	SPSW3-1224	129
SPSKT-648	116	SPSWE1-3024	127	SPSW2E-2412	128	SPSW3-1612	129
SPSKT-660	116	SPSWE1-3030	127	SPSW2E-2416	128	SPSW3-1616	129
SPSKT-672	116	SPSWE1-3036	127	SPSW2E-2420	128	SPSW3-1620	129
SPSKTSS-1236	116	SPSWE1-3624	127	SPSW2E-2424	128	SPSW3-2012	129
SPSKTSS-1242	116	SPSWE1-3630	127	SPSW2E-2430	128	SPSW3-2016	129
SPSKTSS-1248	116	SPSWE1-3636	127	SPSW2E-3016	128	SPSW3-2020	129
SPSKTSS-1260	116	SPSWE1-4224	127	SPSW2E-3020	128	SPSW3-2024	129
SPSKTSS-1272	116	SPSWE1-4230	127	SPSW2E-3024	128	SPSW3-2412	129
SPSKTSS-1836	116	SPSWE1-4236	127	SPSW2E-3030	128	SPSW3-2416	129
SPSKTSS-1842	116	SPSWE1-4824	127	SPSW2E-3036	128	SPSW3-2420	129
SPSKTSS-1848	116	SPSWE1-4830	127	SPSW2E-3624	128	SPSW3-2424	129
SPSKTSS-1860	116	SPSWE1-4836	127	SPSW2E-3630	128	SPSW3-2430	129
SPSKTSS-1872	116	SPSWE1-6036	127	SPSW2E-3636	128	SPSW3-3016	129
SPSKTSS-2436	116	SPSWE1-7230	127	SPSW2E-4224	128	SPSW3-3020	129
SPSKTSS-2442	116	SPSW1N-1224	127	SPSW2E-4230	128	SPSW3-3024	129
SPSKTSS-2448	116	SPSW1N-1612	127	SPSW2E-4236	128	SPSW3-3030	129
SPSKTSS-2460	116	SPSW1N-1616	127	SPSW2E-4824	128	SPSW3-3036	129
SPSKTSS-2472	116	SPSW1N-1620	127	SPSW2E-4830	128	SPSW3-3624	129
SPSKTSS6-1236	116	SPSW1N-2012	127	SPSW2E-4836	128	SPSW3-3630	129
SPSKTSS6-1242	116	SPSW1N-2016	127	SPSW2E-6036	128	SPSW3-3636	129
SPSKTSS6-1248	116	SPSW1N-2020	127	SPSW2E-7230	128	SPSW3-4224	129
SPSKTSS6-1260	116	SPSW1N-2024	127	SPSW2N-1224	128	SPSW3-4230	129
SPSKTSS6-1272	116	SPSW1N-2412	127	SPSW2N-1612	128	SPSW3-4236	129
SPSKTSS6-1836	116	SPSW1N-2416	127	SPSW2N-1616	128	SPSW3-4824	129
SPSKTSS6-1842	116	SPSW1N-2420	127	SPSW2N-1620	128	SPSW3-4830	129
SPSKTSS6-1848	116	SPSW1N-2424	127	SPSW2N-2012	128	SPSW3-4836	129
SPSKTSS6-1860	116	SPSW1N-2430	127	SPSW2N-2016	128	SPSW3-6036	129
SPSKTSS6-1872	116	SPSW1N-3016	127	SPSW2N-2020	128	SPSW3-7230	129
SPSKTSS6-2436	116	SPSW1N-3020	127	SPSW2N-2024	128	SPSW3AL-1224	129
SPSKTSS6-2442	116	SPSW1N-3024	127	SPSW2N-2412	128	SPSW3AL-1612	129
SPSKTSS6-2448	116	SPSW1N-3030	127	SPSW2N-2416	128	SPSW3AL-1616	129
SPSKTSS6-2460	116	SPSW1N-3036	127	SPSW2N-2420	128	SPSW3AL-1620	129
SPSKTSS6-2472	116	SPSW1N-3624	127	SPSW2N-2424	128	SPSW3AL-2012	129
SPSKTSS-636	116	SPSW1N-3630	127	SPSW2N-2430	128	SPSW3AL-2016	129
SPSKTSS-642	116	SPSW1N-3636	127	SPSW2N-3016	128	SPSW3AL-2020	129
SPSKTSS-648	116	SPSW1N-4224	127	SPSW2N-3020	128	SPSW3AL-2024	129
SPSKTSS-660	116	SPSW1N-4230	127	SPSW2N-3024	128	SPSW3AL-2412	129
SPSKTSS6-636	116	SPSW1N-4236	127	SPSW2N-3030	128	SPSW3AL-2416	129
SPSKTSS6-642	116	SPSW1N-4824	127	SPSW2N-3036	128	SPSW3AL-2420	129
SPSKTSS6-648	116	SPSW1N-4830	127	SPSW2N-3624	128	SPSW3AL-2424	129
SPSKTSS6-660	116	SPSW1N-4836	127	SPSW2N-3630	128	SPSW3AL-2430	129
SPSKTSS6-672	116	SPSW1N-6036	127	SPSW2N-3636	128	SPSW3AL-3016	129
SPSKTSS-672	116	SPSW1N-7230	127	SPSW2N-4224	128	SPSW3AL-3020	129
SPSL-121290	21	SPSW1R-1224	127	SPSW2N-4230	128	SPSW3AL-3024	129
SPSL-2290	21	SPSW1R-1612	127	SPSW2N-4236	128	SPSW3AL-3030	129
SPSL-4490	21	SPSW1R-1616	127	SPSW2N-4824	128	SPSW3AL-3036	129
SPSL-6690	21	SPSW1R-1620	127	SPSW2N-4830	128	SPSW3AL-3624	129
SPSL-8890	21	SPSW1R-2012	127	SPSW2N-4836	128	SPSW3AL-3630	129
SPSN4-24228	76	SPSW1R-2016	127	SPSW2N-6036	128	SPSW3AL-3636	129
SPSN4-24268	76	SPSW1R-2020	127	SPSW2N-7230	128	SPSW3AL-4224	129
SPSN4-30268	76	SPSW1R-2024	127	SPSW2R-1224	128	SPSW3AL-4230	129
SPSN4-36328	76	SPSW1R-2412	127	SPSW2R-1612	128	SPSW3AL-4236	129
SPSN4-423212	76	SPSW1R-2416	127	SPSW2R-1616	128	SPSW3AL-4824	129
SPSN4-423812	76	SPSW1R-2420	127	SPSW2R-1620	128	SPSW3AL-4830	129
SPSN4-483812	76	SPSW1R-2424	127	SPSW2R-2012	128	SPSW3AL-4836	129
SPSN4-603812	76	SPSW1R-2430	127	SPSW2R-2016	128	SPSW3AL-6036	129
SPSS-18BASE	132	SPSW1R-3016	127	SPSW2R-2020	128	SPSW3AL-7230	129
SPSS-24BASE	132	SPSW1R-3020	127	SPSW2R-2024	128	SPSW4-5442	130
SPSS-44COL	132	SPSW1R-3024	127	SPSW2R-2412	128	SPSW4-6048	130
SPSS6-18BASE	132	SPSW1R-3030	127	SPSW2R-2416	128	SPSW4-6060	130
SPSS6-24BASE	132	SPSW1R-3036	127	SPSW2R-2420	128	SPSW4-60P24	130
SPSS6-44COL	132	SPSW1R-3624	127	SPSW2R-2424	128	SPSW4-60P36	130
SPSS6-66COL	132	SPSW1R-3630	127	SPSW2R-2430	128	SPSW4-60P48	130
SPSS-66COL	132	SPSW1R-3636	127	SPSW2R-3016	128	SPSW4-7260	130
SP-SUBBRKT-B	126	SPSW1R-4224	127	SPSW2R-3020	128	SPSW4-7272	130

Data subject to change without notice

4680 Nash Road, Scott City, MO 63780
 866-nema-box • 573-722-5591 • FAX: 573-722-5489
www.electrical-enclosures.com

Catalog #	Page #	Catalog #	Page #	Catalog #	Page #	Catalog #	Page #
SPSW4-72P24	130	SPTSM-15124	10	SPWF-426012	53	SPWK-53	117
SPSW4-72P30	130	SPTSM-15126	10	SPWF-426016	53	SPWK-95	117
SPSW4-72P36	130	SPTSM-15154	10	SPWF-484812	53	SPWKSS-1010	117
SPSW4-72P48	130	SPTSM-15156	10	SPWF-484816	53	SPWKSS-1212	117
SPSW4-72P60	130	SPTSM-18124	10	SPWF-486012	53	SPWKSS-133	117
SPSW4-72P72	130	SPTSM-18126	10	SPWF-486016	53	SPWKSS-138	117
SPSW4-90P24	130	SPTSM-18154	10	SPWF-606012	53	SPWKSS-1711	117
SPSW4-90P36	130	SPTSM-18156	10	SPWF-606016	53	SPWKSS-175	117
SPSW4-90P48	130	SPTSM-18184	10	SPWFSS-244208	53	SPWKSS-2016	117
SPSW4-90P72	130	SPTSM-18186	10	SPWFSS-244808	53	SPWKSS-2017	117
SPSW4AL-5442	130	SPTSM-24124	10	SPWFSS-304210	53	SPWKSS-2020	117
SPSW4AL-6048	130	SPTSM-24126	10	SPWFSS-304212	53	SPWKSS-2315	117
SPSW4AL-6060	130	SPTSM-24154	10	SPWFSS-304216	53	SPWKSS-2420	117
SPSW4AL-60P24	130	SPTSM-24156	10	SPWFSS-304810	53	SPWKSS-2424	117
SPSW4AL-60P36	130	SPTSM-24184	10	SPWFSS-304812	53	SPWKSS-2919	117
SPSW4AL-60P48	130	SPTSM-24186	10	SPWFSS-306010	53	SPWKSS-3523	117
SPSW4AL-7260	130	SPTSM-24244	10	SPWFSS-306012	53	SPWKSS-3624	117
SPSW4AL-7272	130	SPTSM-24246	10	SPWFSS-306016	53	SPWKSS-3636	117
SPSW4AL-72P24	130	SPTWH-129	14	SPWFSS-364212	53	SPWKSS-53	117
SPSW4AL-72P30	130	SPTWH-1810	14	SPWFSS-364216	53	SPWKSS6-1010	117
SPSW4AL-72P36	130	SPTWH-189	14	SPWFSS-364812	53	SPWKSS6-1212	117
SPSW4AL-72P48	130	SPTWH-2410	14	SPWFSS-364816	53	SPWKSS6-133	117
SPSW4AL-72P60	130	SPTWH-249	14	SPWFSS-366012	53	SPWKSS6-138	117
SPSW4AL-72P72	130	SPTWH-3010	14	SPWFSS-366016	53	SPWKSS6-1711	117
SPSW4AL-90P24	130	SPTWH-3210	14	SPWFSS-424212	53	SPWKSS6-175	117
SPSW4AL-90P36	130	SPTWH-3610	14	SPWFSS-424216	53	SPWKSS6-2016	117
SPSW4AL-90P48	130	SPTWH-4410	14	SPWFSS-424812	53	SPWKSS6-2017	117
SPSW4AL-90P72	130	SP-VK23	116	SPWFSS-424816	53	SPWKSS6-2020	117
SPSWB3-10	129	SP-VK33	116	SPWFSS-426012	53	SPWKSS6-2315	117
SPSWB3-12	129	SP-VK34	116	SPWFSS-426016	53	SPWKSS6-2420	117
SPSWB3-16	129	SP-VK43	116	SPWFSS-484812	53	SPWKSS6-2424	117
SPSWB3-18	129	SP-VK44	116	SPWFSS-484816	53	SPWKSS6-2919	117
SPSWB3-20	129	SP-VK64	116	SPWFSS-486012	53	SPWKSS6-352	117
SPSWB3-24	129	SP-VK66	116	SPWFSS-486016	53	SPWKSS6-3624	117
SPSWB3-8	129	SP-VK812	116	SPWFSS-606012	53	SPWKSS6-3636	117
SPT-1212	21	SP-VK84	116	SPWFSS-606016	53	SPWKSS6-53	117
SPT-22	21	SP-VK86	116	SPWFSS6-244208	53	SPWKSS6-95	117
SPT-44	21	SP-VK88	116	SPWFSS6-244808	53	SPWKSS-95	117
SPT-66	21	SP-VKSS23	116	SPWFSS6-304210	53	SPX-1212	21
SPT-88	21	SP-VKSS33	116	SPWFSS6-304212	53	SPX-22	21
SPTDD-243210	12	SP-VKSS34	116	SPWFSS6-304216	53	SPX-44	21
SPTDD-243610	12	SP-VKSS43	116	SPWFSS6-304810	53	SPX-66	21
SPTDD-303010	12	SP-VKSS44	116	SPWFSS6-304812	53	SPX-88	21
SPTDD-303610	12	SP-VKSS623	116	SPWFSS6-306010	53		
SPTDD-304410	12	SP-VKSS633	116	SPWFSS6-306012	53		
SPTDD-323210	12	SP-VKSS634	116	SPWFSS6-306016	53		
SPTDD-323610	12	SP-VKSS64	116	SPWFSS6-364212	53		
SPTDD-363010	12	SP-VKSS643	116	SPWFSS6-364216	53		
SPTDD-363210	12	SP-VKSS644	116	SPWFSS6-364812	53		
SPTDD-363610	12	SP-VKSS66	116	SPWFSS6-364816	53		
SPTFM-12124	10	SP-VKSS664	116	SPWFSS6-366012	53		
SPTFM-12126	10	SP-VKSS666	116	SPWFSS6-366016	53		
SPTFM-15124	10	SP-VKSS6812	116	SPWFSS6-424212	53		
SPTFM-15126	10	SP-VKSS684	116	SPWFSS6-424216	53		
SPTFM-15154	10	SP-VKSS686	116	SPWFSS6-424812	53		
SPTFM-15156	10	SP-VKSS688	116	SPWFSS6-424816	53		
SPTFM-18124	10	SP-VKSS812	116	SPWFSS6-426012	53		
SPTFM-18126	10	SP-VKSS84	116	SPWFSS6-426016	53		
SPTFM-18154	10	SP-VKSS86	116	SPWFSS6-484812	53		
SPTFM-18156	10	SP-VKSS88	116	SPWFSS6-484816	53		
SPTFM-18184	10	SPWF-244208	53	SPWFSS6-486012	53		
SPTFM-18186	10	SPWF-244808	53	SPWFSS6-486016	53		
SPTFM-24124	10	SPWF-304210	53	SPWFSS6-606012	53		
SPTFM-24126	10	SPWF-304212	53	SPWFSS6-606016	53		
SPTFM-24154	10	SPWF-304216	53	SPWK-1010	117		
SPTFM-24156	10	SPWF-304810	53	SPWK-1212	117		
SPTFM-24184	10	SPWF-304812	53	SPWK-133	117		
SPTFM-24186	10	SPWF-306010	53	SPWK-138	117		
SPTFM-24244	10	SPWF-306012	53	SPWK-1711	117		
SPTFM-24246	10	SPWF-306016	53	SPWK-175	117		
SPTSD-18129	12	SPWF-364212	53	SPWK-2016	117		
SPTSD-18189	12	SPWF-364216	53	SPWK-2017	117		
SPTSD-241810	12	SPWF-364812	53	SPWK-2020	117		
SPTSD-242410	12	SPWF-364816	53	SPWK-2315	117		
SPTSD-302410	12	SPWF-366012	53	SPWK-2420	117		
SPTSD-322410	12	SPWF-366016	53	SPWK-2424	117		
SPTSD-32249	12	SPWF-424212	53	SPWK-2919	117		
SPTSD-362410	12	SPWF-424216	53	SPWK-3523	117		
SPTSM-12124	10	SPWF-424812	53	SPWK-3624	117		
SPTSM-12126	10	SPWF-424816	53	SPWK-3636	117		

										
1000	1018	2003	3005	3022	4010	5015				
										
1001	1019	2004	3007	3027	5000	5017				
										
1002	1020	2008	3009	3031	5001	5018				
										
1003	1021	2009	3011	4001	5002	5019				
										
1004	1023	2010	3012	4002	5003	5020				
		 <p>SCHAEFER'S ELECTRICAL ENCLOSURES, INC.</p> <p>AVAILABLE COLORS</p> <p>The color chips represented on these pages have been prepared as replications of actual powder coatings. Chips may vary slightly in color and gloss from actual coating due to the effects of heat, light and manufacturing process. Please contact your sales representative for more information.</p>								
1005	1024					5004	5021			
										
1006	1027					5005	5022			
										
1007	1028					5007	5023			
										
1011	1032					2011	3013	4003	5008	5024
										
1012	1033					2012	3014	4004	5009	6000
										
1013	1034	3000	3015	4005	5010	6001				
										
1014	1037	3001	3016	4006	5011	6002				
										
1015	2000	3002	3017	4007	5012	6003				
										
1016	2001	3003	3018	4008	5013	6004				
										
1017	2002	3004	3020	4009	5014	6005				

6006	6021	7004	7022	7038	8003	8028				
6007	6022	7005	7023	7039	8004	9001				
6008	6024	7006	7024	7040	8007	9002				
6009	6025	7008	7026	7042	8008	9003				
6010	6026	7009	7030	7043	8011	9004				
		 <p>SCHAEFER'S ELECTRICAL ENCLOSURES, INC.</p> <p>AVAILABLE COLORS</p> <p>The color chips represented on these pages have been prepared as replications of actual powder coatings. Chips may vary slightly in color and gloss from actual coating due to the effects of heat, light and manufacturing process. Please contact your sales representative for more information.</p>								
6011	6027					8012	9005			
6012	6028					8014	9010			
6013	6029					8015	9011			
6014	6032					7010	7031	7044	8016	9016
6015	6033					7011	7032	7045	8017	9017
6016	6034	7012	7033	7046	8019	9018				
6017	7000	7013	7034	7047	8022					
6018	7001	7015	7035	8000	8023					
6019	7002	7016	7036	8001	8024					
6020	7003	7021	7037	8002	8025					