

Blue Misses Nothing.

Best-in-class Optical Sensors with BlueLight from SensoPart



NEW
FT 25-BH with
adjustable background
suppression

BlueLight Sensors for Every Application.

From the F 10, F 25, F 50 and F 55 series

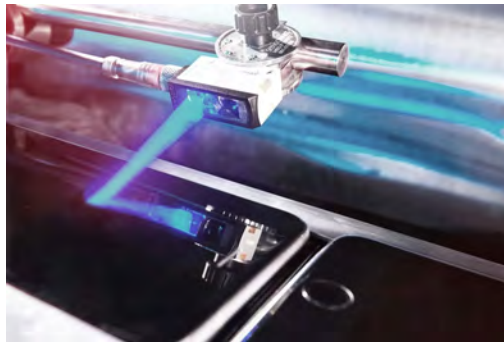


Developed specifically for difficult-to-detect objects, BlueLight sensors are true do it all sensors.

The **BlueLight series** offers much greater detection than standard optical sensors in challenging applications – whether with extremely shiny, strongly light-absorbing or highly transparent objects.

BlueLight – Product overview

Type	Adjustment	Scanning distance	Hysteresis
FT 10-BF2 / BF3	Fixed-focus	2 - 30 mm // 2 - 50 mm	< 0.14 mm // < 0.24 mm
FT 25-BF2	Fixed-focus	0 - 80 mm	< 0.8 mm
FT 25-BH NEW	Teach-Button / IO-Link	0 - 200 mm	< 2 mm
FT 50 BH	Potentiometer	2 - 300 mm	< 3 mm
FT 55-BH	Potentiometer	3 - 1200mm	< 10%



Industry Application Examples

Automotive

- Detection of metallic and highly absorbent components like glossy black plastic

Packaging

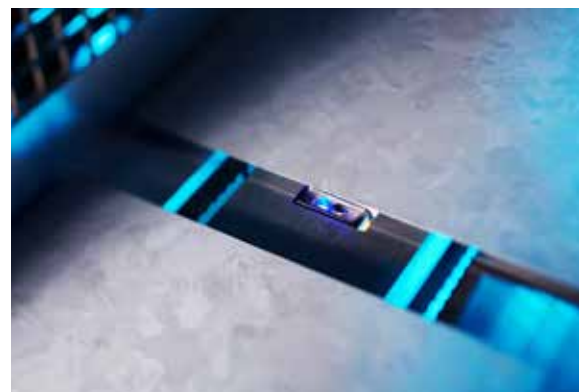
- Detection of transparent films / containers / bottles and labels

Pharmaceutical

- Positioning of test tubes / syringes / pipette tips

Solar

- Detection of presence and position of wafers



Blue Light Makes Black Visible.

Sensors with blue light



Transparent, shiny and deep black parts present enormous challenges for proximity sensors. Sufficient process stability cannot always be achieved during detection, in which case optical sensors ultimately have to be replaced by other sensor principles (photoelectric sensors, ultrasonic sensors etc.).

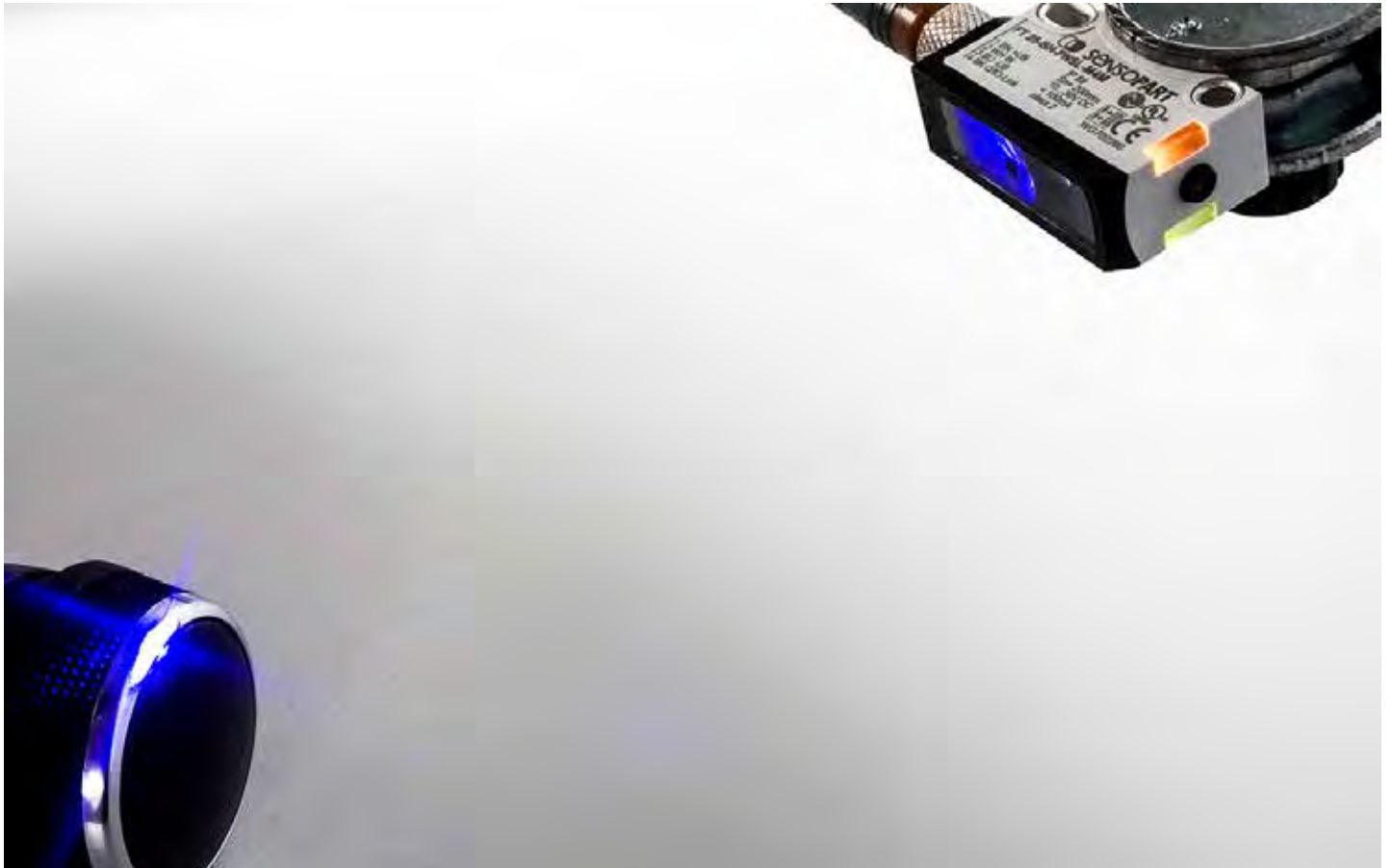
Optical blue light sensors represent a cost-efficient alternative to such complex solutions, and offer much greater process stability than conventional red light proximity sensors in many critical applications.

The sensor achieves very high process stability thanks to its instantaneous response, regardless of the shape, colour or structure of the object to be detected.

Some applications can even involve a combination of several critical factors, e.g. black objects with a high gloss surface and a wide detection angle.

Even when faced with such multiple challenges, blue light sensors have repeatedly proven their worth.

Thanks to SensoPart's innovative receiver technology and a high-precision optical concept, BlueLight sensors demonstrate excellent sensor characteristics. Combined with significantly higher process stability, this opens up a whole new range of possibilities in the detection of 'difficult' objects.





They are small, black and are rapidly multiplying: the number of dark to deep black plastic parts is constantly growing throughout all sectors.

BlueLight sensors are now successfully used in a wide range of applications involving light-absorbing objects. For example, to detect the presence of carbon fibre components or matte black interior trim panels in the automotive industry or black, round plastic caps on a conveyor belt. BlueLight sensors also prove outstanding when detecting black or reflective metal parts.

The simple and cost-efficient blue light sensor is now the answer for these and many other applications and is also replacing the retro-reflective photoelectric sensors previously in use.



In subminiature housing

Measuring just 21.1 x 14.6 x 8mm, the F 10 BlueLight is perfect for installation in confined spaces.

Overview: BlueLight.

Technical Overview

Fixed-Focus

FT 10-BF2 / BF3



30 mm

50 mm



FT 25-BF2



80 mm



Adjustable

FT 25-BH ↻



200 mm



FT 50-BH



300 mm



FT 55-BH



1200 mm



- Precise, fixed fixed-focus background suppression
- Ideal for mounting on robot grippers

- Robust detection from 0 mm
- Precisely fixed background suppression
- Reliable object detection even at very large angles of inclination

- Optical presence detection of the latest generation
- Optimal detection of hard-to-detect objects with excellent sensory properties
- IO-Link-interface with switching point adjustment in millimetres

- Precisely adjustable background suppression
- Easy scanning range adjustment thanks to display scale

- Adjustable background suppression (potentiometer)
- Safe operation even with reflective and shiny backgrounds



FT 10-BF

BlueLight-Photoelectric diffuse sensor with background suppression, fixed focus



PRODUCT HIGHLIGHTS

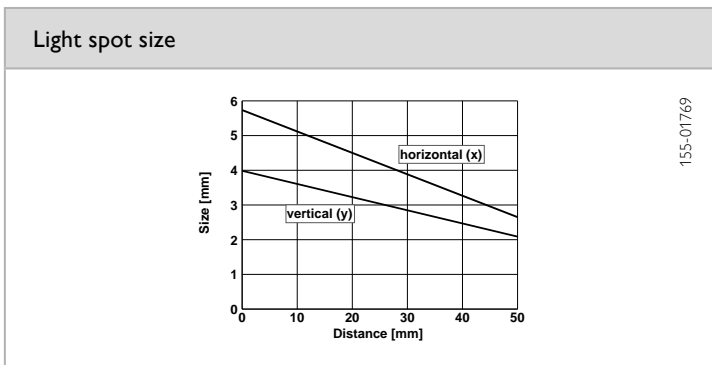
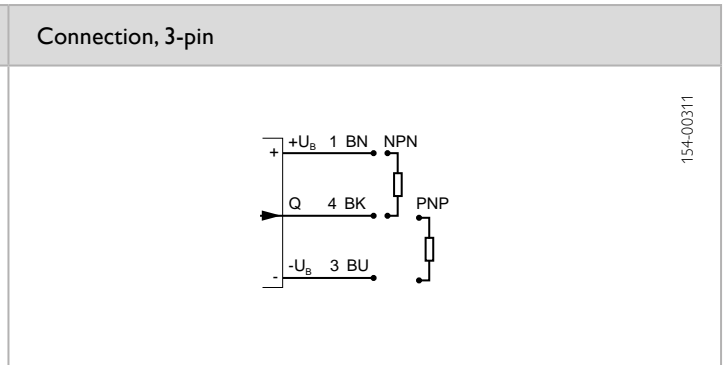
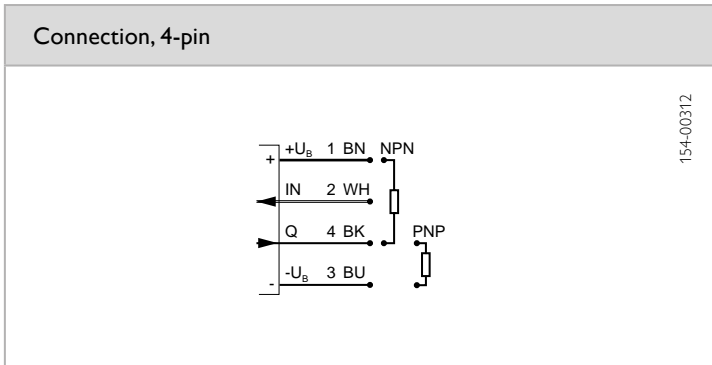
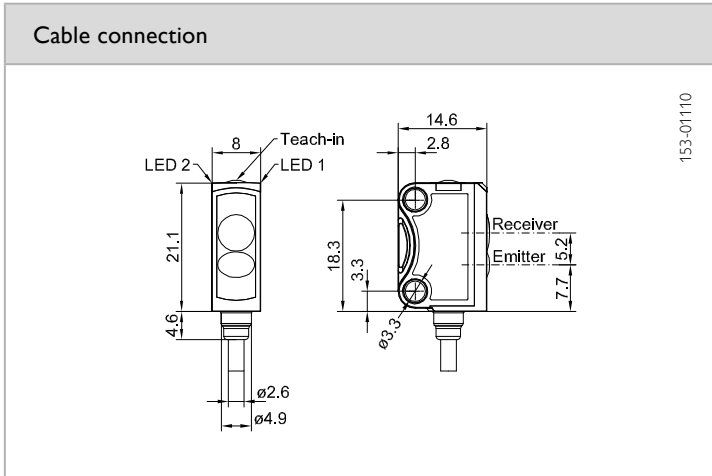
- Sub-miniature sensor with BlueLight technology and precise fixed background suppression
- Reliable switching behaviour with strongly light-absorbing and transparent objects, e.g. solar wafers in every process phase
- Reliable operation without reflector - even with critical surfaces
- Tamper-proof sensor design - no misalignment possible
- Simple mounting and adjustment through innovative dovetail clamp mounting

Optical data		Functions	
Scanning distance	2 ... 30 mm ¹ / 2 ... 50 mm ¹	Indicator LED, green	Operating voltage indicator
Optimum scanning distance	15 ... 20 mm	Indicator LED, yellow	Switching output indicator
Used light	LED, blue, 450 nm	Adjustment possibilities	N.O. / N.C. via control input ³
LED risk group (DIN 62471)	2		
Light spot size	See diagram		
Ambient light	EN 60947-5-2		
Electrical data		Mechanical data	
Operating voltage +U _B	10 ... 30V DC ²	Dimensions	21,1 x 14,6 x 8 mm
No-load supply current I ₀	≤ 20 mA	Enclosure rating	IP 67 ⁴
Output current I _e	≤ 50 mA	Material, housing	PUR
Protective circuits	Reverse-polarity protection, U _B / short-circuit protection (Q)	Material, front screen	PMMA
Protection class	2	Type of connection	See selection table
Power On Delay	< 300 ms	Ambient temperature: operation	-20 ... +50 °C ⁵
Switching output, Q	PNP/NPN (see selection table)	Ambient temperature: storage	-20 ... +80 °C
Output function	N.O./N.C.	Weight (cable device)	Approx. 22 g
Switching frequency, f (ti/tp 1:1)	1000 Hz	Weight (pigtail)	Approx. 10 g
Response time	500 μs		
Control input, IN ³	+U _B = N.C. -U _B / Open = N.O.		

¹ Reference material white, 90 % reflectivity ² Max. residual ripple 10 %, within U_B, approx. 50 Hz/100 Hz ³ Only 4-pin design ⁴With connected IP 67 plug ⁵ UL: -20 ... +30 °C

Scanning distance	Switching output	Type of connection	Part number	Article number
2 ... 30 mm ¹	PNP	Cable, 2 m, 4-wire	FT 10-BF2-PS-K4	600-11026
2 ... 30 mm ¹	NPN	Cable, 2 m, 4-wire	FT 10-BF2-NS-K4	600-11029
2 ... 30 mm ¹	PNP	Pigtail, 200 mm with M8 plug, 4-pin	FT 10-BF2-PS-KM4	600-11027
2 ... 30 mm ¹	NPN	Pigtail, 200 mm with M8 plug, 4-pin	FT 10-BF2-NS-KM4	600-11030
2 ... 30 mm ¹	PNP	Pigtail, 200 mm with M8 plug, 3-pin	FT 10-BF2-PS-KM3	600-11028
2 ... 30 mm ¹	NPN	Pigtail, 200 mm with M8 plug, 3-pin	FT 10-BF2-NS-KM3	600-11031
2 ... 50 mm ¹	PNP	Cable, 2 m, 4-wire	FT 10-BF3-PS-K4	600-11036
2 ... 50 mm ¹	NPN	Cable, 2 m, 4-wire	FT 10-BF3-NS-K4	600-11039
2 ... 50 mm ¹	PNP	Pigtail, 200 mm with M8 plug, 4-pin	FT 10-BF3-PS-KM4	600-11037
2 ... 50 mm ¹	NPN	Pigtail, 200 mm with M8 plug, 4-pin	FT 10-BF3-NS-KM4	600-11040
2 ... 50 mm ¹	PNP	Pigtail, 200 mm with M8 plug, 3-pin	FT 10-BF3-PS-KM3	600-11038
2 ... 50 mm ¹	NPN	Pigtail, 200 mm with M8 plug, 3-pin	FT 10-BF3-NS-KM3	600-11041

Including dovetail clamp mounting MBD F 10 for all types



Accessories

Connection cables	From Page 22
Brackets	From Page 18

FT 25-BF2

BlueLight-Photoelectric diffuse sensor with background suppression, fixed focus



PRODUCT HIGHLIGHTS

- Miniature sensor with BlueLight technology and precise fixed background suppression
- Reliable switching behaviour with strongly light-absorbing and highly transparent objects
- Reliable operation without reflector - even with critical surfaces
- Tamper-proof sensor design - no misalignment possible
- Simple mounting and adjustment through innovative dovetail clamp mounting

Optical data		Functions	
Scanning distance	0 ... 80 mm ¹	Indicator LED, green	Operating voltage indicator
Background suppression from	100 mm	Indicator LED, yellow	Switching output indicator
Type of light	LED, blue, 450 nm	Adjustment possibilities	N.O./N.C. via control input
Light spot size	See diagram		
Hysteresis	~ 1% ²		
Ambient light	EN 60947-5-2		
Electrical data		Mechanical data	
Operating voltage, +U _B	10 ... 30V DC ³	Dimensions	34 x 20 x 12 mm
No-load current, I ₀	≤ 30 mA	Enclosure rating	IP 69K & IP 67 ⁴
Output current, I _e	≤ 100 mA	Material, housing	ABS
Protective circuits	Reverse-polarity protection, U _B / short-circuit protection (Q)	Material, front screen	PMMA
Protection Class	2	Type of connection	See selection table
Power On Delay	< 300ms	Ambient temperature: operation	-20 ... +60 °C ⁵
Switching output, Q	PNP/NPN (see selection table)	Ambient temperature: storage	-20 ... +80 °C
Output function	N.O./N.C.	Weight (plug device)	10 g
Switching frequency, f (ti/tp 1:1)	≤ 1000 Hz	Weight (cable device)	40 g
Response time	500 μs	Vibration and impact resistance	EN 60947-5-2
Control input, IN	+U _B = N.C. -U _B / Open = N.O.		

¹ Reference material: white, 90 % reflectivity

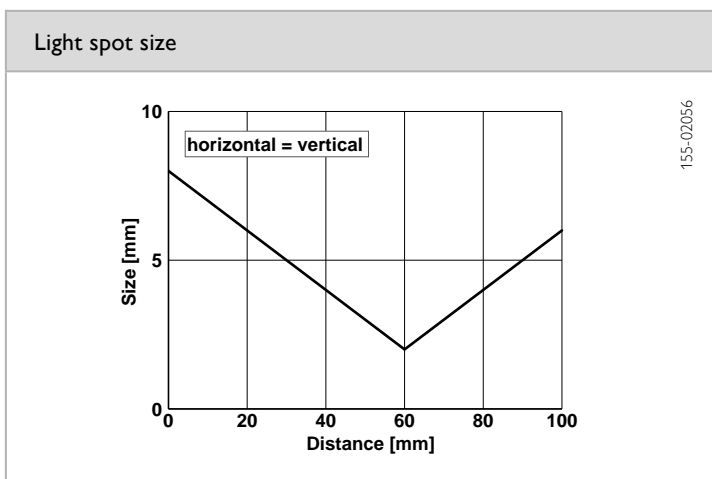
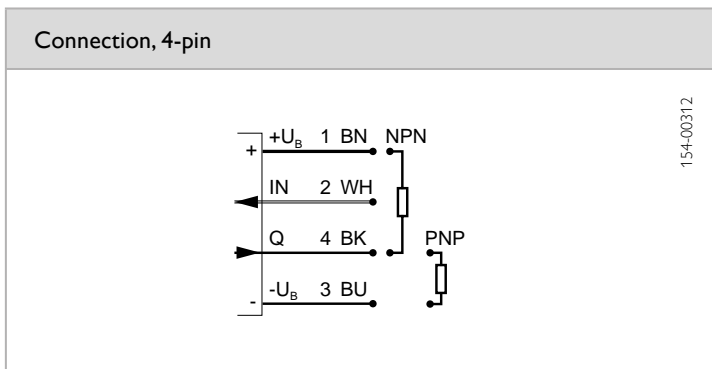
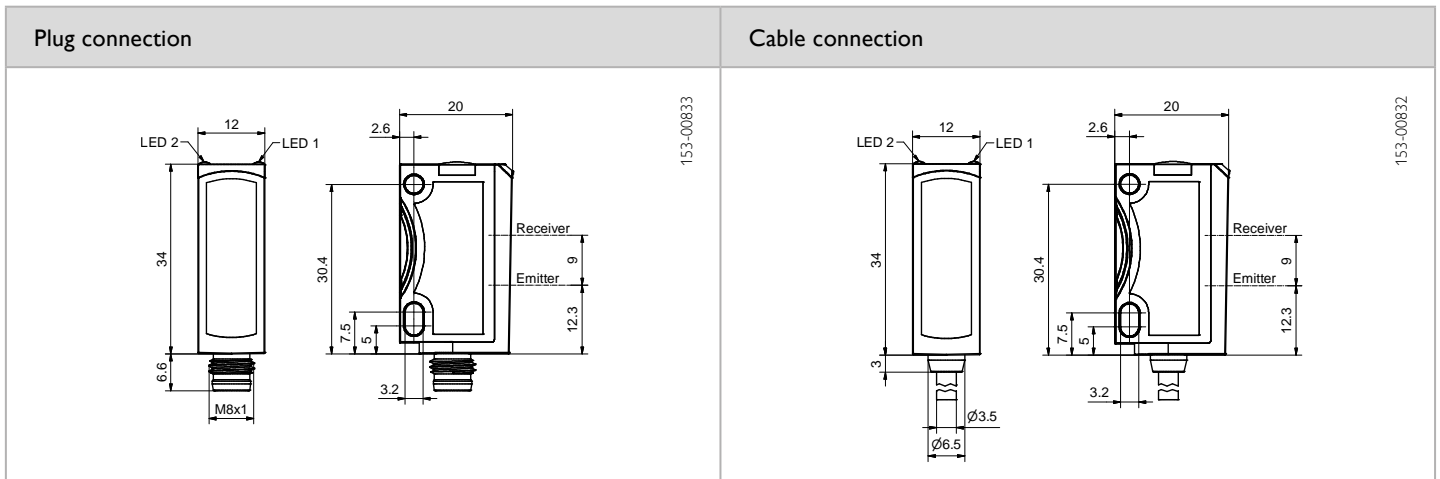
² Based on scanning distance

³ Max. 10 % ripple, within U_B, ~ 50 Hz / 100 Hz

⁴ With connected IP 67 / IP 69K plug

⁵ UL: -20 ... +50 °C

Scanning distance	Switching output	Type of connection	Part number	Article number
0 ... 80 mm	PNP	Plug, M8x1, 4-pin	FT 25-BF2-PS-M4	608-11038
0 ... 80 mm	NPN	Plug, M8x1, 4-pin	FT 25-BF2-NS-M4	608-11039
0 ... 80 mm	PNP	Cable, 2 m, 4-wire	FT 25-BF2-PS-K4	608-11040
0 ... 80 mm	NPN	Cable, 2 m, 4-wire	FT 25-BF2-NS-K4	608-11041



Reference material	Detection range
White (90 %)	0 ... 80 mm
Grey (18 %)	0 ... 80 mm
Black (6 %)	1 ... 80 mm

Accessories	
Connection cables	From Page 22
Brackets	From Page 19

FT 25-BH

BlueLight-Photoelectric diffuse sensor with background suppression



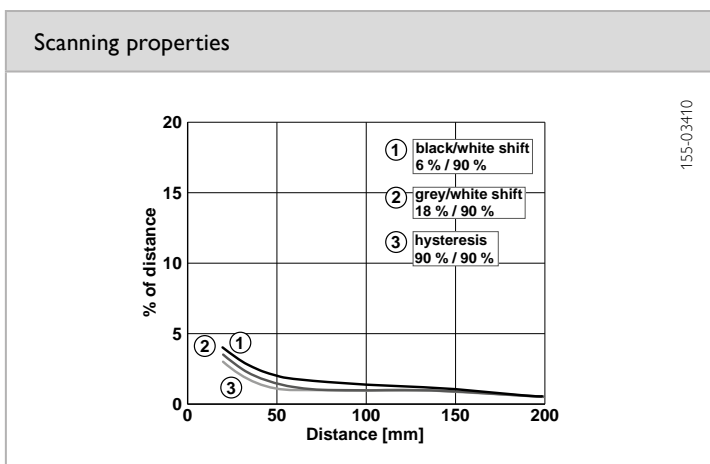
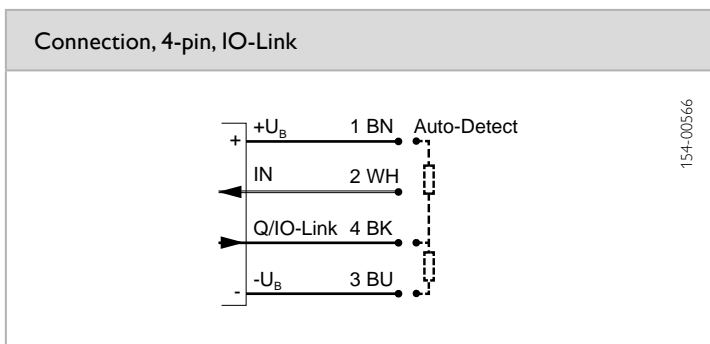
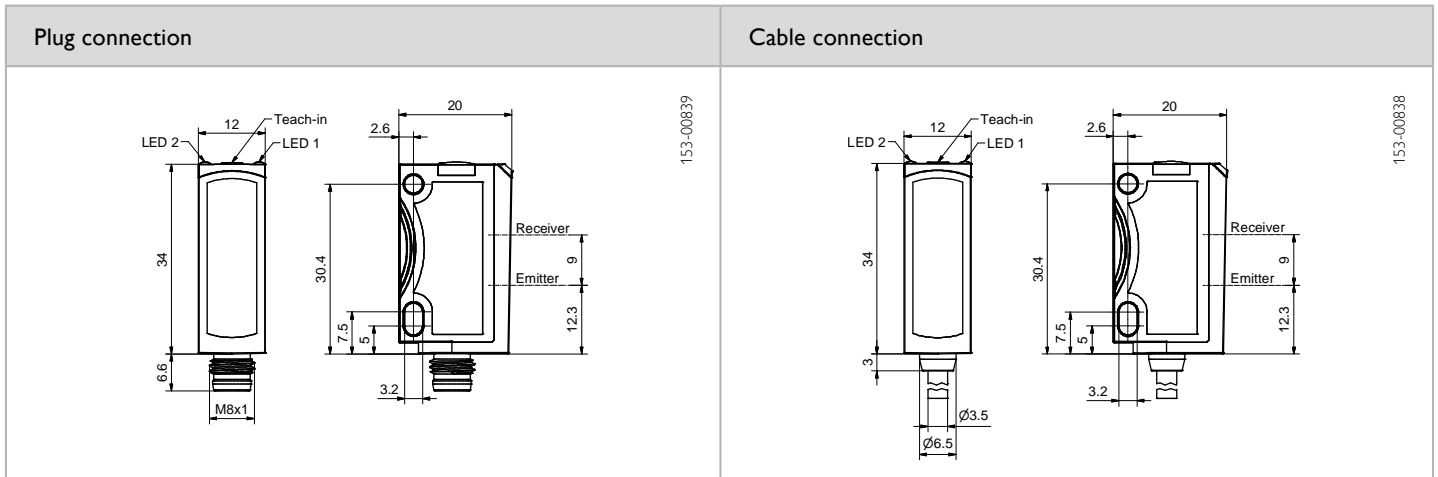
PRODUCT HIGHLIGHTS

- Miniature sensor with BlueLight technology and precisely adjustable background suppression
- Reliable switching with strongly light absorbing and shiny objects
- Reliable operation even with highly reflective backgrounds thanks to SensoPart ASIC technology
- Simple alignment thanks to easily visible light spot
- Sensor setting via teach-in, control input and IO-Link
- Robust glass-fibre-reinforced plastic housings

Optical data		Functions	
Scanning distance	0 ... 200 mm ¹	Indicator LED, green	Operating voltage indicator
Adjustment range	10 ... 200 mm ¹	Indicator LED, yellow	Switching output indicator
Type of light	LED, blue, 450 nm	Scanning distance adjustment	Via Teach-in button, control input ³ and IO-Link
Light spot size	7 mm x 7 mm	Teach-in modes	Mode 1: during running process Mode 2: during standing process
		Adjustment possibilities	N.O./N.C. and Auto-Detect / NPN / PNP via teach-in button, control input ³ and IO-Link Button lock via control input ³ and IO-Link Wide variety of adjustment possibilities via IO-Link
		Default settings	Max. scanning distance and N.O.
Electrical data		Mechanical data	
Operating voltage, +U _B	10 ... 30V DC ²	Dimensions	34 x 20 x 12 mm
No-load current, I ₀	≤ 30 mA	Enclosure rating	IP 69 & IP 67 ⁵
Output current, I _e	≤ 100 mA	Material, housing	ABS
Protective circuits	Reverse-polarity protection, U _B / short-circuit protection (Q)	Material, front screen	PMMA
Protection Class	2	Type of connection	See selection table
Power On Delay	< 300 ms	Ambient temperature: operation	-20 ... +60 °C ⁶
Switching output, Q	1x Auto-Detect (PNP/NPN) ⁴	Ambient temperature: storage	-20 ... +80 °C
Output function	N.O./N.C.	Weight (plug device)	10 g
Switching frequency, f (ti/tp 1:1)	≤ 700 Hz	Weight (metal plug device ⁷)	10 g
Response time	500 μs	Weight (cable device)	40 g
Control input, IN ³	+U _B = teach-in -U _B = button locked Open = normal operation	Weight (pigtail)	20 g
		Vibration and impact resistance	EN 60947-5-2
IO-Link			
Communication mode	COM 2		
Min. cycletime	2.3 ms		
SIO mode	Compatible		
Length process data	16 Bit		
Specification	1.1		

¹ Reference material: white, 90 % reflectivity ² Max. 10 % ripple, within U_B, ~ 50 Hz / 100 Hz ³ Only 4-pin design ⁴ Auto-Detect, automatic PNP/NPN selection by the sensor; PNP or NPN fixed ⁵ With connected IP 67 / IP 69 plug ⁶ UL: -20 ... +50 °C ⁷ No Ecolab

Scanning distance	Switching output	Type of connection	Part number	Article number
0 ... 200 mm	Auto-Detect	Metal plug, M8x1, 4-pin, IO-Link	FT 25-BH-PNSL-M4M	608-11063
0 ... 200 mm	Auto-Detect	Plug, M8x1, 4-pin, IO-Link	FT 25-BH-PNSL-M4	608-11064
0 ... 200 mm	Auto-Detect	Pigtail, 150 mm with plug, M8, 4-pin, IO-Link	FT 25-BH-PNSL-KM4	608-11065



Reference material	Detection range	Accessories
White (90 %)	0 ... 200 mm	Connection cables Brackets
Grey (18 %)	0 ... 200 mm	
Black (6 %)	2 ... 200 mm	
		From Page 22
		From Page 19

FT 50 BH

BlueLight-Photoelectric diffuse sensor with background suppression



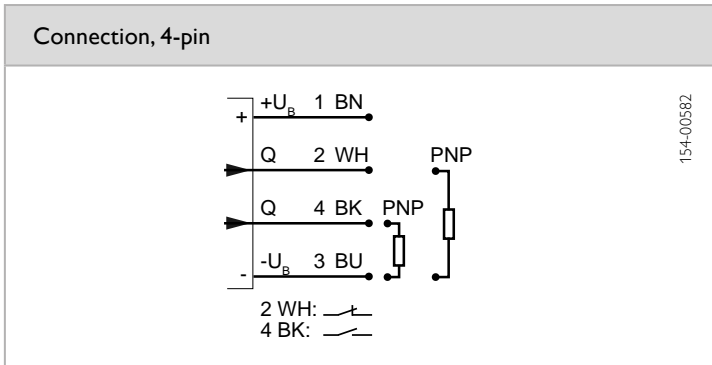
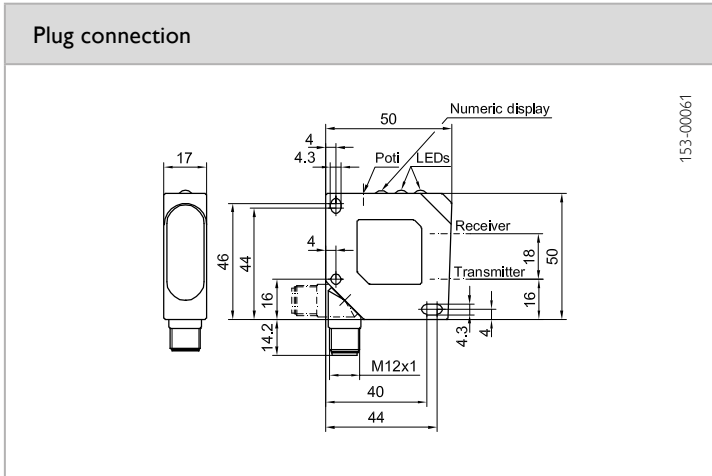
PRODUCT HIGHLIGHTS

- Precisely adjustable background suppression
- Simple scanning distance adjustment thanks to indicator scale
- Plug connector rotatable

Optical data		Functions	
Scanning distance	40 ... 300 mm ¹	Indicator LED, green	Operating voltage indicator
Type of light	LED, blue, 450 nm	Indicator LED, yellow	Switching output indicator
Light spot size ²	5 x 5 mm ²	Indicator LED, red	Contamination indicator
		Scanning distance adjustment	Via potentiometer
Electrical data		Mechanical data	
Operating voltage, +U _b	10 ... 30V DC ³	Dimensions	50 x 50 x 17 mm
No-load current, I ₀	≤ 35 mA ⁴	Enclosure rating	IP 67 ⁵
Output current, I _e	≤ 200 mA	Material, housing	ABS
Protective circuits	Reverse-polarity protection, U _b / short-circuit protection (Q)	Material, front screen	PMMA
Protection Class	2	Type of connection	See selection table
Power On Delay	≤ 300 ms	Ambient temperature: operation	-20 ... +60 °C
Switching output, Q	PNP/NPN, antivalent (see selection table)	Ambient temperature: storage	-20 ... +80 °C
Output function	N.O./N.C. (see selection table)	Weight (plug device)	40 g
Switching frequency, f (ti/tp 1:1)	≤ 1000 Hz	Weight (cable device)	130 g
Response time	500 μs	Vibration and impact resistance	EN 60947-5-2
Connection, BK	N.O.		
Connection, WH	N.C.		
Contamination output, WH (optional)	N.O. (see selection table)		

¹ Reference material: grey, 18 % reflectivity ² At scanning distance of 200 mm ³ Max. 10 % ripple, within U_b ⁴ At 24V DC ⁵ With connected IP 67 plug

Scanning distance	Switching output	Type of connection	Part number	Article number
40 ... 300 mm	PNP, antivalent	Plug, M12x1, 4-pin	FT 50 BH-PAL4	572-51070



Accessories

Connection cables	From Page 23
Brackets	From Page 21

FT 55-BH

BlueLight-Photoelectric diffuse sensor with background suppression



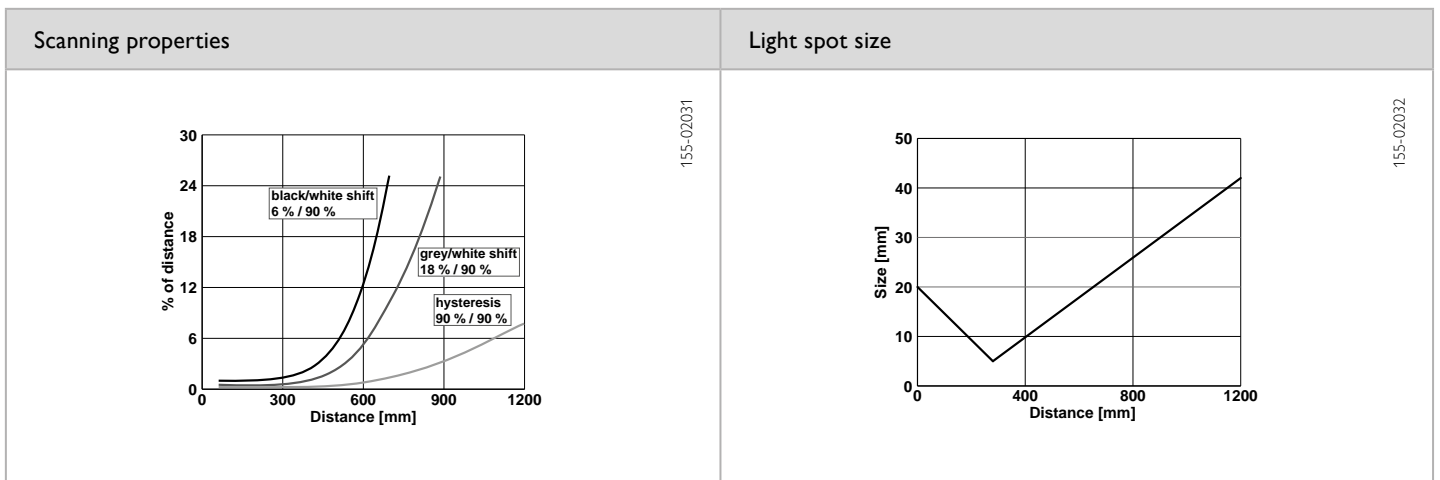
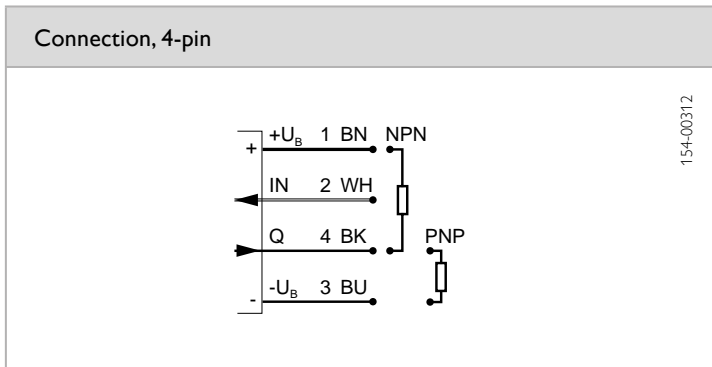
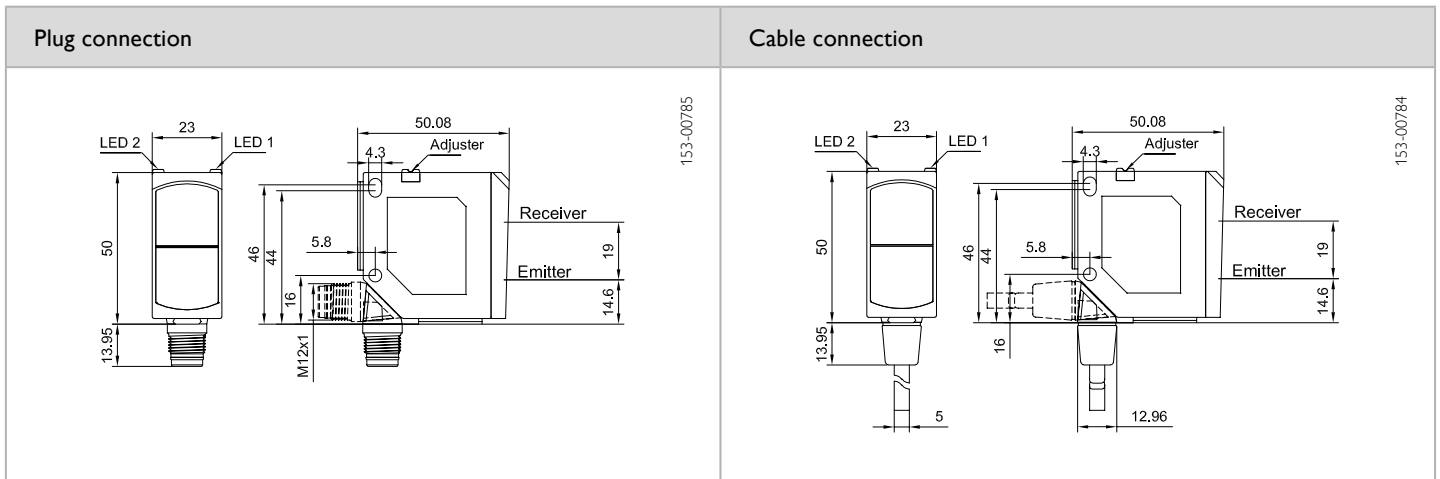
PRODUCT HIGHLIGHTS

- Long scanning distance of 1.2 m
- BlueLight technology with precisely adjustable background suppression – reliable operation even with highly reflective and glossy backgrounds
- Precise scanning distance adjustment by means of potentiometer
- Reliable detection of highly transparent or strongly light-absorbing objects
- Reliable detection even with angles of up to 90°

Optical data		Functions	
Scanning distance	3 ... 1200 mm ¹	Indicator LED, green	Operating voltage indicator
Type of light	LED, blue, 450 nm	Indicator LED, yellow	Switching output indicator / contamination indicator
Light spot size	See diagram	Scanning distance adjustment	Via potentiometer
Ambient light	EN 60947-5-2	Adjustment possibilities	N.O./N.C. via control input
		Default settings	$S_n = 500 \text{ mm (6 \%)}$
Electrical data		Mechanical data	
Operating voltage, $+U_b$	10 ... 30V DC ²	Dimensions	50 × 50.1 × 23 mm
No-load current, I_0	≤ 30 mA	Enclosure rating	IP 69K & IP 67 ³
Output current, I_e	≤ 100 mA	Material, housing	PC-ABS
Protective circuits	Reverse-polarity protection, U_b / short-circuit protection (Q)	Material, front screen	PMMA
Protection Class	2	Type of connection	See selection table
Power On Delay	< 300 ms	Ambient temperature: operation	-20 ... +60 °C ⁴
Switching output, Q	PNP/NPN (see selection table)	Ambient temperature: storage	-20 ... +80 °C
Output function	N.O./N.C.	Weight (plug device)	35 g
Switching frequency, f (ti/tp 1:1)	≤ 600 Hz	Weight (cable device)	125 g
Response time	830 μs	Vibration and impact resistance	EN 60947-5-2
Control input, IN	$+U_b = \text{N.C.}$ $-U_b / \text{Open} = \text{N.O.}$		

¹ Reference material: white, 90 % reflectivity ² Max. 10 % ripple, within U_b , ~ 50 Hz / 100 Hz ³ With connected IP 67 / IP 69K plug ⁴ UL: max. +45 °C

Scanning distance	Switching output	Type of connection	Part number	Article number
3 ... 1200 mm	PNP	Plug, M12x1, 4-pin	FT 55-BH-PS-L4	623-11036
3 ... 1200 mm	NPN	Plug, M12x1, 4-pin	FT 55-BH-NS-L4	623-11037
3 ... 1200 mm	PNP	Plug, M12x1, 4-pin	FT 55-BH2-PS-L4	623-11041
3 ... 1200 mm	NPN	Plug, M12x1, 4-pin	FT 55-BH2-NS-L4	623-11042



Reference material	Detection range
White (90 %)	3 ... 1200 mm
Grey (18 %)	5 ... 750 mm
Black (6 %)	10 ... 600 mm


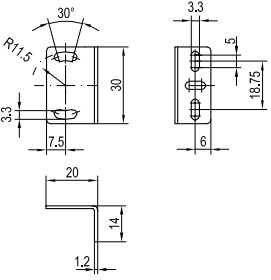

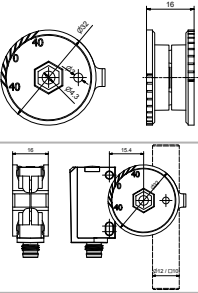

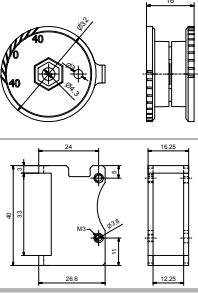

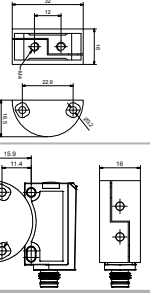

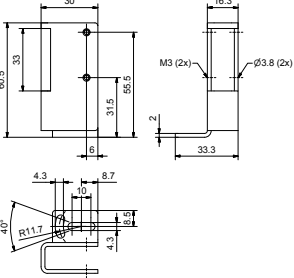

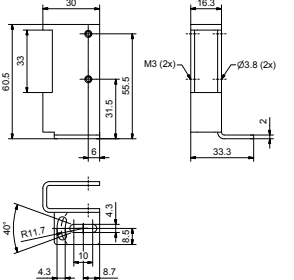
Accessories	
Connection cables	From Page 23
Brackets	From Page 21

Accessories

Brackets


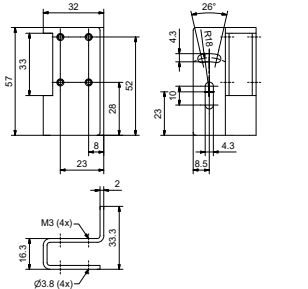

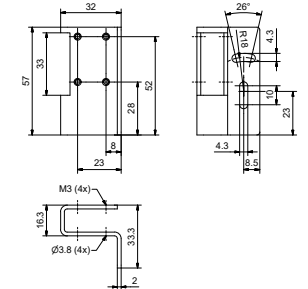

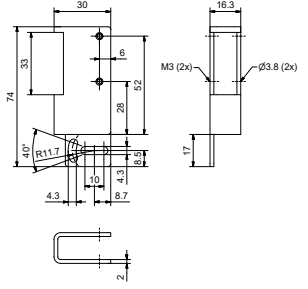

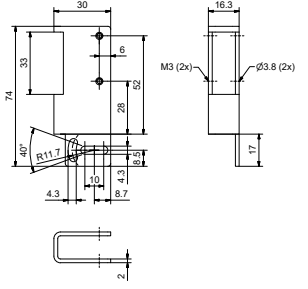

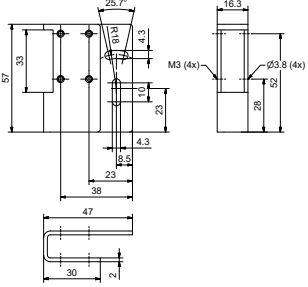

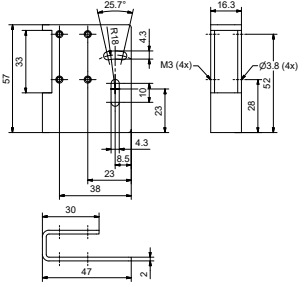


Brackets for FT 10 series			
		<p>Part number / Article number 153-00899</p> <p>Description Dovetail clamp mounting, adjustable $\pm 10^\circ$ Material: PBT</p> <p>Suitable for</p>	<p>MBD F 10 / 660-01001</p> <p>Dovetail clamp mounting, adjustable $\pm 10^\circ$ Material: PBT</p> <p>F 10</p>
		<p>Part number / Article number 153-13562</p> <p>Description Universal rod mounting component for attaching dovetail F 10 to mounting rods $\varnothing 6$ mm adjustable $\pm 45^\circ$ Material: die-cast zinc</p> <p>Suitable for</p>	<p>MBD F 10ST2 / 660-01004</p> <p>Universal rod mounting component for attaching dovetail F 10 to mounting rods $\varnothing 6$ mm adjustable $\pm 45^\circ$ Material: die-cast zinc</p> <p>F 10</p>
		<p>Part number / Article number 153-00907</p> <p>Description Mounting bracket with screws 1x mounting plate M3 1x mounting plate $\varnothing 3.1$ mm Material: stainless steel V2A</p> <p>Suitable for</p>	<p>MS F 10 / 660-01000</p> <p>Mounting bracket with screws 1x mounting plate M3 1x mounting plate $\varnothing 3.1$ mm Material: stainless steel V2A</p> <p>F 10</p>

Brackets for FT 25			
		153-00241	Part number / Article number
			Description
			Suitable for
		153-01155	Part number / Article number
			Description
			Suitable for
		153-01155	Part number / Article number
			Description
			Suitable for
		153-00945	Part number / Article number
			Description
			Suitable for
		153-01017	Part number / Article number
			Description
			Suitable for
		153-00296	Part number / Article number
			Description
			Suitable for

Accessories

Brackets

Brackets for FT 25 (Cont.)			
		<p>153-00908</p> <p>Part number / Article number</p> <p>Description</p> <p>Suitable for</p>	<p>MSP F 20-23 / 558-41011</p> <p>Protective sensor angle bracket with screws, very robust</p> <p>Material: stainless steel V2A</p> <p>F 25</p>
		<p>153-00297</p> <p>Part number / Article number</p> <p>Description</p> <p>Suitable for</p>	<p>MSP F 20-2 / 558-41005</p> <p>Protective sensor angle bracket with screws, very robust</p> <p>Material: stainless steel V2A</p> <p>F 25</p>
		<p>153-00973</p> <p>Part number / Article number</p> <p>Description</p> <p>Suitable for</p>	<p>MSP F 20-13 / 558-41008</p> <p>Protective sensor angle bracket with screws, very robust</p> <p>Material: stainless steel V2A</p> <p>F 25</p>
		<p>153-00972</p> <p>Part number / Article number</p> <p>Description</p> <p>Suitable for</p>	<p>MSP F 20-12 / 558-41007</p> <p>Protective sensor angle bracket with screws, very robust</p> <p>Material: stainless steel V2A</p> <p>F 25</p>
		<p>153-00974</p> <p>Part number / Article number</p> <p>Description</p> <p>Suitable for</p>	<p>MSP F 20-21 / 558-41009</p> <p>Protective sensor angle bracket with screws, very robust</p> <p>Material: stainless steel V2A</p> <p>F 25</p>
		<p>153-00975</p> <p>Part number / Article number</p> <p>Description</p> <p>Suitable for</p>	<p>MSP F 20-22 / 558-41010</p> <p>Protective sensor angle bracket with screws, very robust</p> <p>Material: stainless steel V2A</p> <p>F 25</p>

Brackets for FT 50 / FT 55			
	<p>153-00298</p>	<p>Part number / Article number</p> <p>Description</p> <p>Suitable for</p>	<p>MSP F 50 / 579-50005</p> <p>Protective sensor angle bracket with screws, very robust, light exit possible on three sides Material: stainless steel VA</p> <p>F 50</p>
	<p>153-00665</p>	<p>Part number / Article number</p> <p>Description</p> <p>Suitable for</p>	<p>MS F 50 / 579-50000</p> <p>Angle bracket with screws Material: stainless steel VA</p> <p>F 50 F 55</p>
	<p>153-01164</p>	<p>Part number / Article number</p> <p>Description</p> <p>Suitable for</p>	<p>MB ST2 / 661-01007</p> <p>Mounting component for Ø 12 mm mounting rod and 10 x 10 mm square profile, and F 55 and fork sensors (FGL), with M4 screw Material: die-cast zinc</p> <p>F 55</p>
	<p>153-00818</p>	<p>Part number / Article number</p> <p>Description</p> <p>Suitable for</p>	<p>MS F 55 / 579-50010</p> <p>Angle bracket with screws Material: stainless steel V2A</p> <p>F 50 F 55</p>
	<p>153-00819</p>	<p>Part number / Article number</p> <p>Description</p> <p>Suitable for</p>	<p>MSP F 55 / 579-50011</p> <p>Protective sensor angle bracket with screws, very robust Material: stainless steel V2A</p> <p>F 55</p>
	<p>153-00542</p>	<p>Part number / Article number</p> <p>Description</p> <p>Suitable for</p>	<p>MBD-S94 / 533-21000</p> <p>Dovetail double clamp mounting Material: metal</p> <p>F 55</p>

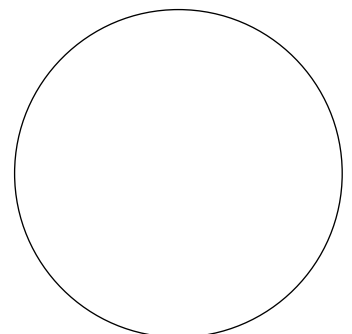
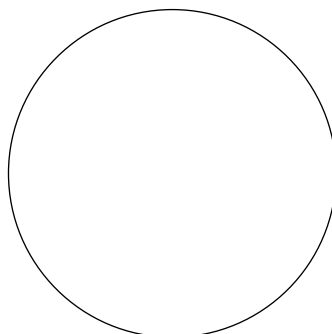
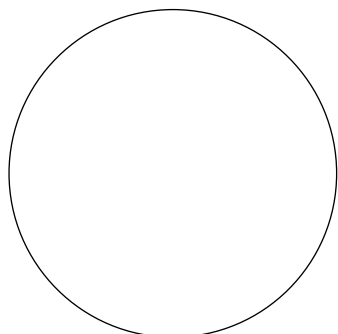
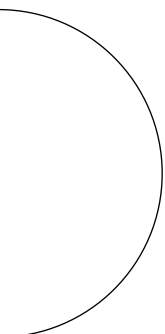
Accessories

Cables

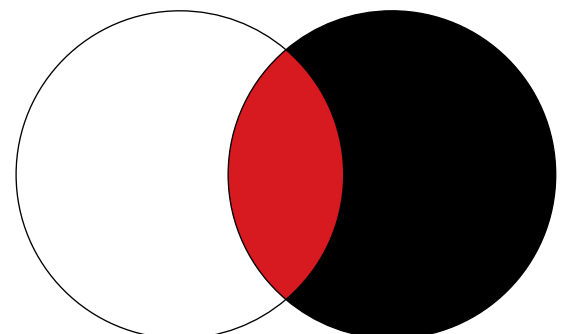
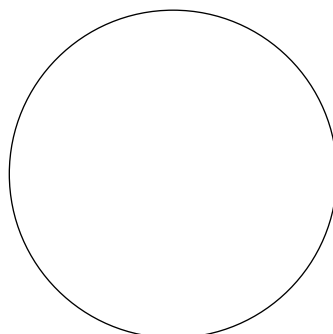
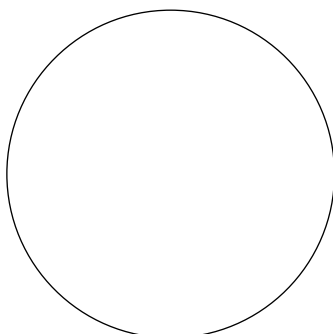


SENSOR Cables

Part number	Article number	Description
M8 socket, 3-pin <hr/> K3-2m-G-PUR K3-5m-G-PUR K3-10m-G-PUR K3-2m-W-PUR K3-5m-W-PUR K3-2m-W-PL-PUR K3-5m-W-PL-PUR K3-10m-W-PL-PUR	<hr/> 902-50679 902-51614 902-50694 902-50681 902-51615 902-50683 902-51616 902-50693	Connection lines for actuators and sensors with self-locking threaded joint, unshielded, suitable for drag chains <hr/> 2 m, straight, PUR, IP 67 / IP 69K 5 m, straight, PUR, IP 67 / IP 69K 10 m, gerade, PUR, IP 67 / IP 69K 2 m, 90 °, PUR, IP 67 / IP 69K 5 m, 90 °, PUR, IP 67 / IP 69K 2 m, 90 °, PUR, IP 67 / IP 69K, with indicator LED 5 m, 90 °, PUR, IP 67 / IP 69K, with indicator LED 10 m, 90 °, PUR, IP 67 / IP 69K, with indicator LED
M8 socket, 4-pin <hr/> K4-2m-G-PUR K4-5m-G-PUR K4-10m-G-PUR K4-2m-W-PUR K4-5m-W-PUR K4-10m-W-PUR K4-2m-W-PL-PUR K4-5m-W-PL-PUR CM4 FG-E-5m-PVC CM4 FW-E-5m-PVC	<hr/> 902-50801 902-51617 902-51610 902-50803 902-51618 902-51629 902-51642 902-51643 902-50221 902-50222	Connection lines for actuators and sensors with self-locking threaded joint, unshielded, suitable for drag chains <hr/> 2 m, straight, PUR, IP 67 / IP 69K 5 m, straight, PUR, IP 67 / IP 69K 10 m, straight, PUR, IP 67 / IP 69K 2 m, 90 °, PUR, IP 67 / IP 69K 5 m, 90 °, PUR, IP 67 / IP 69K 10 m, 90 °, PUR, IP 67 / IP 69K 2 m, 90 °, PUR, IP 65 / IP 67 / IP 68, with indicator LED 5 m, 90 °, PUR, IP 65 / IP 67 / IP 68, with indicator LED 5 m, straight, PVC, IP 67, hex nut SW 9V2A, suited for food and beverages industries 5 m, 90 °, PVC, IP 67 / IP 69K, hex nut SW 9V2A, suited for food and beverages industries



Part number	Article number	Description
M12 socket, 4-pin		Connection lines for actuators and sensors with self-locking threaded joint, unshielded, suitable for drag chains
L4-300mm-G-PUR	902-50811	0.3 m, straight, a-coded, PUR, IP 65 / IP 67 / IP 68
L4-2m-G-PUR	902-50805	2 m, straight, a-coded, PUR, IP 65 / IP 67 / IP 68
L4-5m-G-PUR	902-51612	5 m, straight, a-coded, PUR, IP 65 / IP 67 / IP 68
L4-10m-G-PUR	902-51628	10 m, straight, a-coded, PUR, IP 65 / IP 67 / IP 68
L4-2m-W-PUR	902-50807	2 m, 90 °, a-coded, PUR, IP 65 / IP 67 / IP 68
L4-5m-W-PUR	902-51602	5 m, 90 °, a-coded, PUR, IP 65 / IP 67 / IP 68
L4-2m-W-PL-PUR	902-50808	2 m, 90 °, a-coded, PUR, IP 65 / IP 67 / IP 68, with indicator LED
L4-5m-W-PL-PUR	902-51603	5 m, 90 °, a-coded, PUR, IP 65 / IP 67 / IP 68, with indicator LED
L4-10m-W-PL-PUR	902-51604	10 m, 90 °, a-coded, PUR, IP 65 / IP 67 / IP 68, with indicator LED
L4-15m-W-PL-PUR	902-51607	15 m, 90 °, a-coded, PUR, IP 65 / IP 67 / IP 68, with indicator LED
M12 socket, 4-pin		Connection lines for actuators and sensors with self-locking threaded joint, shielded 360 °
L4S-2m-G-PVC	902-51632	2 m, straight, a-coded, PVC, IP 67
L4S-5m-G-PVC	902-51634	5 m, straight, a-coded, PVC, IP 67
L4S-10m-G-PVC	902-51651	10 m, straight, a-coded, PVC, IP 67
L4S-2m-W-PVC	902-51633	2 m, 90 °, a-coded, PVC, IP 67
L4S-5m-W-PVC	902-51635	5 m, 90 °, a-coded, PVC, IP 67
M12 socket, 4-pin * M12 plug, 4-pin		Connection lines, plugs and sockets ready to assemble, for actuators and sensors with self-locking threaded joint, unshielded
CL4 FG-E-5m-PVC	902-50219	5 m, straight, PVC, IP 67, hex nut SW 9 V2A, suited for food and beverages industries
CL4 FW-E-5m-PVC	902-50220	5 m, 90 °, PVC, IP 67 / IP 69K, hex nut SW 14 V2A, suited for food and beverages industries
L4 KDG	022-50812	Coupling socket, ready to assemble, straight, with threaded joint, PBT, IP 67
L4 KDW	022-50813	Coupling socket, ready to assemble, 90 °, with threaded joint, PBT, IP 67
LS4-60-G-K	022-10773*	Connector, ready to assemble, with threaded joint, PA, IP 67
M12, 4-pin - M12, 4-pin Plug - socket		Connection lines, specifically for FT 85 with self-locking threaded joints, unshielded, suitable for drag chains
L4F/L4M-0,48 PUR	902-51670	0.48 m, M12 90 °, a-coded to M12 straight, a-coded, PUR, IP 67
L4F/L4M-B-codiert-0,48 PUR	902-51739	0.48 m, M12 90 °, a-coded to M12 straight, b-coded, PUR, IP 67
L4F/L4M-B-codiert-0,48-X02 PUR	902-51823	0.48 m, M12 90 °, a-coded to M12 straight, b-coded, twist PIN 2 & 4, PUR, IP 67
L4F/L4M/B-codiert-1,00 PUR	902-51827	1 m, M12 90 °, a-coded to M12 straight, b-coded, PUR, IP 67





"We gauge ourselves not by what is possible today, but by our vision of what can be achieved" – this has been our motto since the foundation of SensoPart in 1994. Our goal is to always be a step ahead and to be able to offer our customers the most innovative sensor for industrial automation.

True to this motto, we offer easy-to-integrate VISOR® vision sensors and compact laser sensors with outstanding background suppression made in Germany.

We still also have plenty of ideas for the future - watch this space.

SENSOR TECHNOLOGY

- Light barriers
- Diffuse sensors
- Laser sensors
- Miniature sensors
- Distance sensors
- Color sensors
- Contrast sensors
- Anti-collision sensors
- Slot sensors
- Fiber-optic sensors
- Inductive sensors
- Ultrasonic sensors
- Vision sensors
- Smart cameras
- Vision systems
- Object detection
- Object measurement
- Color detection
- Code reading
- Lighting
- Lenses

Germany
SensoPart
Industriesensorik GmbH
79288 Gottenheim
Tel. +49 7665 94769-0
info@sensopart.de

France
SensoPart France Sarl
662, rue des Jonchères – Bât. A
F-69730 GENAY
Tel. : +33 164 730061
info@sensopart.fr

United Kingdom
SensoPart UK Limited
Pera Business Park, Nottingham Road,
Melton Mowbray, Leicestershire, LE13 0PB
Tel. +44 1664 561539
uk@sensopart.com

USA
SensoPart Inc.
30600 Telegraph Rd.
Suite 2345,
Bingham Farms, MI, 48025
usa@sensopart.com

China
SensoPart China
201803 Shanghai
Tel. +86 21 69017660
china@sensopart.cn