



**power
fast**

TURCK

Industrial
Automation

***power
fast***[™]
CONNECTIVITY

www.turck.com

TURCK

THE SOLUTION PROVIDER

85,000+ SOLUTIONS

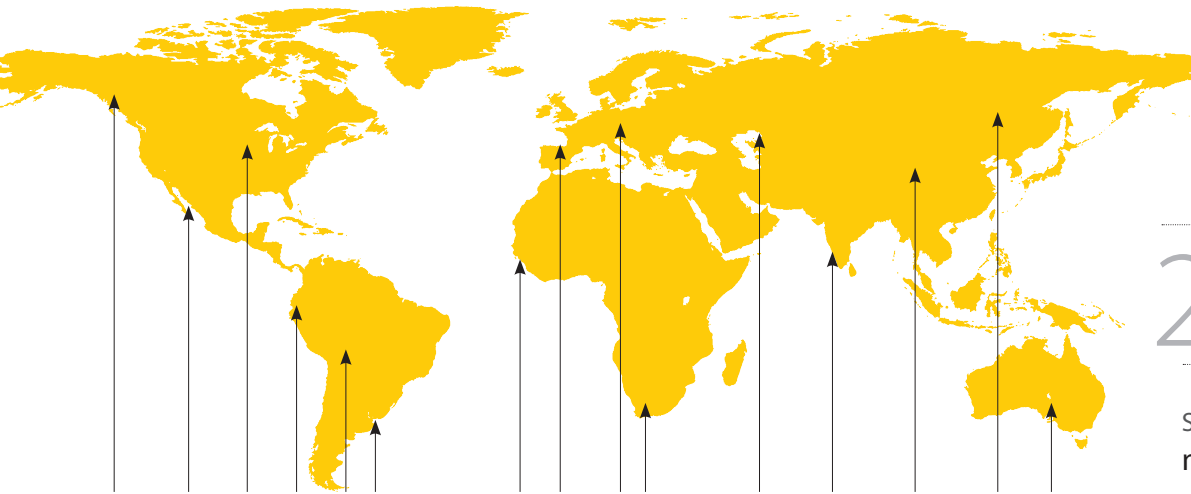
Pioneer in non-contact
sensing technology

Developed innovative **connectivity**
solutions in response to our sensor customer needs

Recognized need and advanced knowledge of harsh duty
environments lead to **I/O solutions**

Unique solutions for interfacing and
Intrinsic Safety

GLOBAL BUT LOCAL...



27
GLOBAL

SUBSIDIARIES

25 COUNTRIES

Strategically placed
manufacturing facilities

USA

more than
2,000 EXPERIENCED
SALES REPRESENTATIVES

**SUPPORT &
DEDICATED SERVICE**

50 YEARS OF INNOVATION 2011 2010 2009 2008

EXTENSIVE WARRANTY

RESPOND
and SOLVE over **1,200** inquiries
per day

 **3,500+**
APPLICATION EXPERTS

1 EASY ANSWER → www.turck.com | 1-800-544-7769

A-Size 7/8" powerfast	3
D-Size 1 3/8" powerfast	9
M16 powerfast	29
M23 powerfast	45
M40 powerfast	51
Index	59

APPLICATION CONSIDERATIONS

Installation Guidelines

TURCK's **powerfast™** products are easy to install by following a few simple guidelines:

- It is important to know the electrical requirements of the application and to select a cordset that has the proper amperage and voltage ratings for the application.
- Cables must be supported to prevent movement on the equipment. Per NFPA 79, the cable must be supported every 12 inches in a non-vertical run, every 36 inches in a vertical run and every 18 inches when suspended in air. The cable should also be supported at any connection points or terminations.

Note: Consult NFPA 79 (Electrical Standard for Industrial Machinery) for required over current protection of conductors and other selection and installation guidelines for industrial machine applications.

- The cordsets are not intended for disconnection under load. TURCK offers **powerlok** fittings that prevent the possibility of disconnection. These fittings are not required for use, but can be used as a precautionary measure.
- Power should never be supplied from the male connector. The source of power should always be supplied from the female connector.
- Use TURCK closure caps to protect connectors from damage or dirt when not connected.

Cable Options

TURCK offers multiple cable options for the **powerfast** products. The majority of TURCK's **powerfast** products use cables that carry a tray rated, exposed run (TC-ER) approval. Select TURCK **powerfast** products may carry an additional STOOW cable approval, although versions that carry the STOOW and TC-ER approval are also available as TC-ER only.

Both the STOOW/TC-ER cable and the TC-ER only cable version are premium cable offerings, however, the TC-ER only version has a slightly reduced cable outer diameter. This feature offers more flexibility and is a more cost effective solution. This cable option can be designated by adding a "/S4000" to the end of the part description where applicable.

Estimated hp ratings for D-Size powerfast

(Based on 85% motor efficiency and 90% power factor.)

Single Phase (2 Current Carrying Conductors)				
Pin Count	AWG	Current (amps)	Voltage (volts)	Power (hp)
3-pin	10 AWG	30	230	7
			460	14
			575	17
	12 AWG	25	230	5
			460	11
			575	14
	14 AWG	18	230	4
			460	8
			575	10

Three Phase (3 Current Carrying Conductors)				
Pin Count	AWG	Current (amps)	Voltage (volts)	Power (hp)
4-pin	10 AWG	25	230	10
			460	20
			575	25
	12 AWG	20	230	8
			460	16
			575	20
	14 AWG	15	230	6
			460	12
			575	15

Note: These tables are theoretical values and are for reference only. Values will vary based on load conditions, as well as condition, age and type of motor. Please consult a qualified electrician for specific product sizing requirements. Current limits for conductor gauge size taken from NFPA 79 2007 edition.

A-SIZE 7/8" powerfast™ CONNECTIVITY

Part Number Keys	4
Cordset and Receptacle Specifications	5
Cordset and Receptacle Selection Matrix	5
Cordset and Receptacle Dimensions	6
Cordset and Receptacle Pinouts	6
Closure Caps	7
powerlok Accessories	8
Disconnect Switch	8

Features

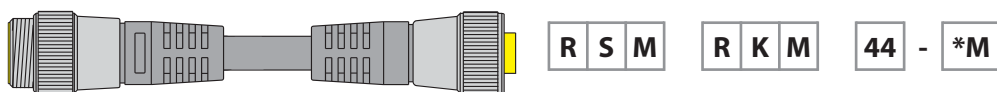
- Ideal for small motor applications
- 3 and 4-pin
- 14 AWG conductors
- Up to 15 Amp, 600 Volt rated
- Dual rated TC-ER and ST00W PVC cable
- "/S4000" TC-ER only PVC cable option available
- NEMA 1,3,4,6P protection
- IEC IP67 protection

A-Size 7/8" powerfast Cordset Part Number Key

Part Number Keys are to assist in IDENTIFICATION ONLY. Consult factory for catalog items not identified.

R	K	M	34	-	*M	/S..
A-Size 7/8" powerfast Cordset R = straight W = right angle			Varieties (blank) = TC-ER STOOW PVC cable jacket /S4000 = TC-ER PVC cable jacket /S.. = consult factory, special /CS.. = consult factory, special			
Gender K = female connector, female threads S = male connector, male threads Y = male connector, female threads			Length in Meters			
Coupling Nut Material (blank) = nylon M = nickel plated brass V = 316 stainless steel (hex)			Number of Wires / AWG / Color Codes 34 = 3x14 AWG GN, BK, WH 44 = 4x14 AWG BK, WH, RD, GN			
Insertion Point of Extension Cable 2nd Prefix*						
* Male connector listed 1st, female connector 2nd Example: RSM RKM 44-2M						

Extension Example:



A-Size 7/8" powerfast Receptacle Part Number Key

R	K	F	V	34	-	*M	/NPT	/S..
A-Size 7/8" powerfast Receptacle				Varieties /S.. = consult factory, special /CS.. = consult factory, special				
Gender K = female connector, female threads S = male connector, male threads X = female connector, male threads				Connection Thread /NPT = 1/2-14 NPT threads				
Designator for Receptacle				Length in Meters				
Housing Material (blank) = nickel plated brass K = nylon V = 316 stainless steel				Number of Wires / AWG / Color Codes 34 = 3x14 AWG GN, BK, WH 44 = 4x14 AWG BK, WH, RD, GN				

A-Size 7/8" powerfast Cordset Specifications

Mechanical

Mold material/Color:	PUR/Black
Contact carrier material:	PUR
Coupling nut material:	
Standard:	Nickel plated brass
Additional options:	Nylon 316 stainless steel
Environmental protection:	NEMA 1, 3, 4, 6P and IEC IP67
Temperature rating:	-40 to +90°C (-40 to +194°F)

Electrical

Contact material:	Brass or copper with gold plating
Cable jacket material/Color:	
Standard:	TC-ER STOOW PVC/Black
Additional options:	TC-ER PVC/Black (/S4000 version)
Ratings:	15 Amps, 600 VAC



A-Size 7/8" powerfast Receptacle Specifications

Mechanical

Contact carrier material:	PUR
Housing material/Plating:	
Standard:	Nickel plated brass
Additional options:	Nylon 316 stainless steel
Environmental protection:	NEMA 1, 3, 4, 6P and IEC IP67
Temperature rating:	-40 to +105°C (-40 to +221°F)

Electrical

Contact material:	Brass or copper with gold plating
Conductor insulation:	PVC
Ratings:	15 Amps, 600 VAC



A-Size 7/8" powerfast Cordset Selection Matrix

			1	2	3	4
			Straight Female	Straight Male	Right Angle Female	Right Angle Male
Pins	AWG	Current Rating	TC-ER STOOW	TC-ER STOOW	TC-ER STOOW	TC-ER STOOW
3	14	15	RKM 34-*M	RSM 34-*M		
4	14	15	RKM 44-*M	RSM 44-*M		

Pins	AWG	Current Rating	TC-ER	TC-ER	TC-ER	TC-ER
3	14	15	RKM 34-*M/S4000	RSM 34-*M/S4000	WKM 34-*M/S4000	WSM 34-*M/S4000
4	14	15	RKM 44-*M/S4000	RSM 44-*M/S4000	WKM 44-*M/S4000	WSM 44-*M/S4000

A-Size 7/8" powerfast Receptacle Selection Matrix

Front Mount			5	6
			Female	Male
Pins	AWG	Current Rating	1/2-14NPT Mounting Thread	1/2-14NPT Mounting Thread
3	14	15	RKF 34-*M/NPT	RSF 34-*M/NPT
4	14	15	RKF 44-*M/NPT	RSF 44-*M/NPT

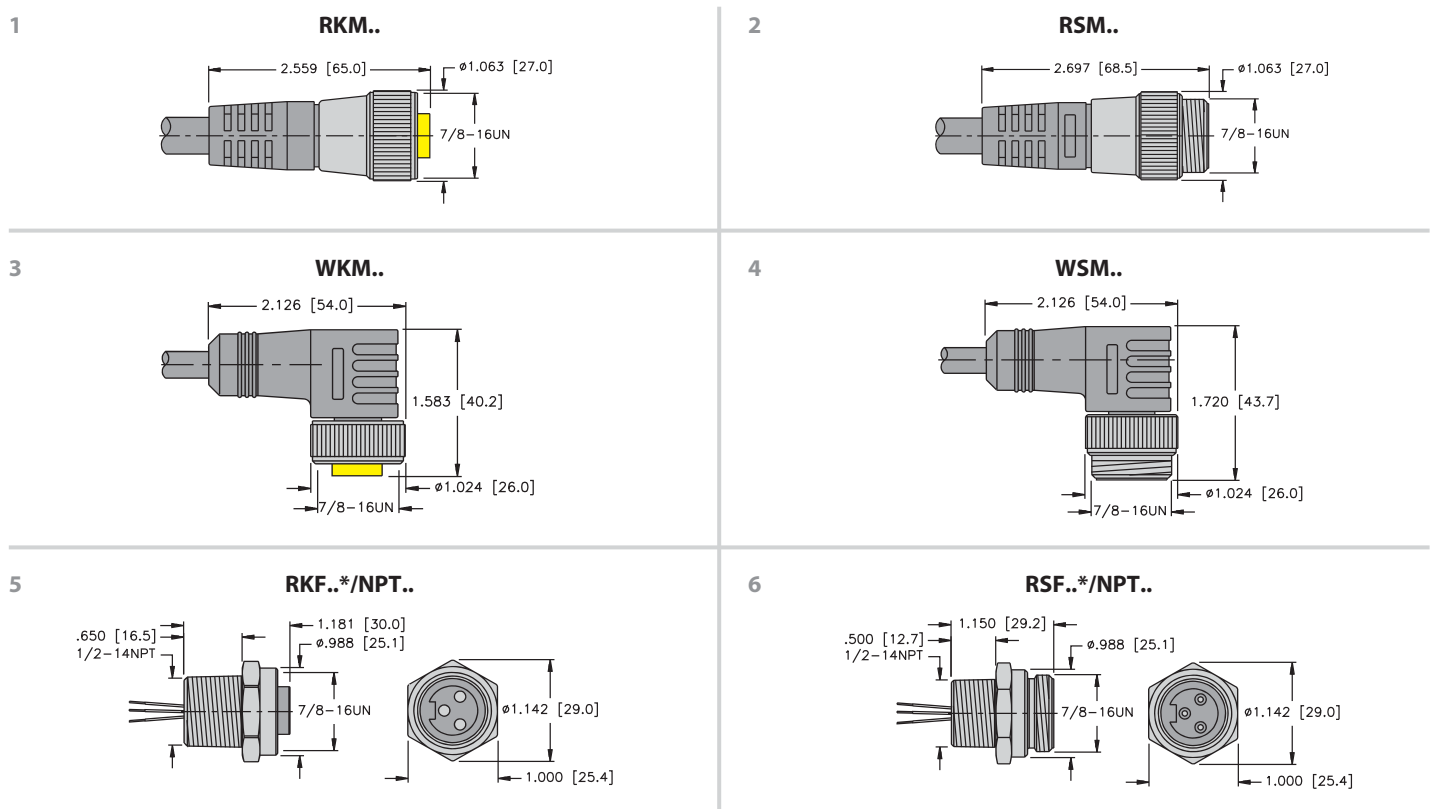
See page 6 for dimensional drawings.

* Length in meters. Standard cable lengths are 2, 5 and 10 meters. Standard lead length is 0.5 meters. Consult factory for other lengths.

Note: Extension cables are available, please consult Part Number Key (page 4).

Standard coupling nut material is nickel plated brass. Consult Part Number Key (page 4) for nylon and 316 stainless steel options.

A-Size 7/8" powerfast Cordset and Receptacle Dimensions



A-Size 7/8" powerfast Cordset and Receptacle Pinouts

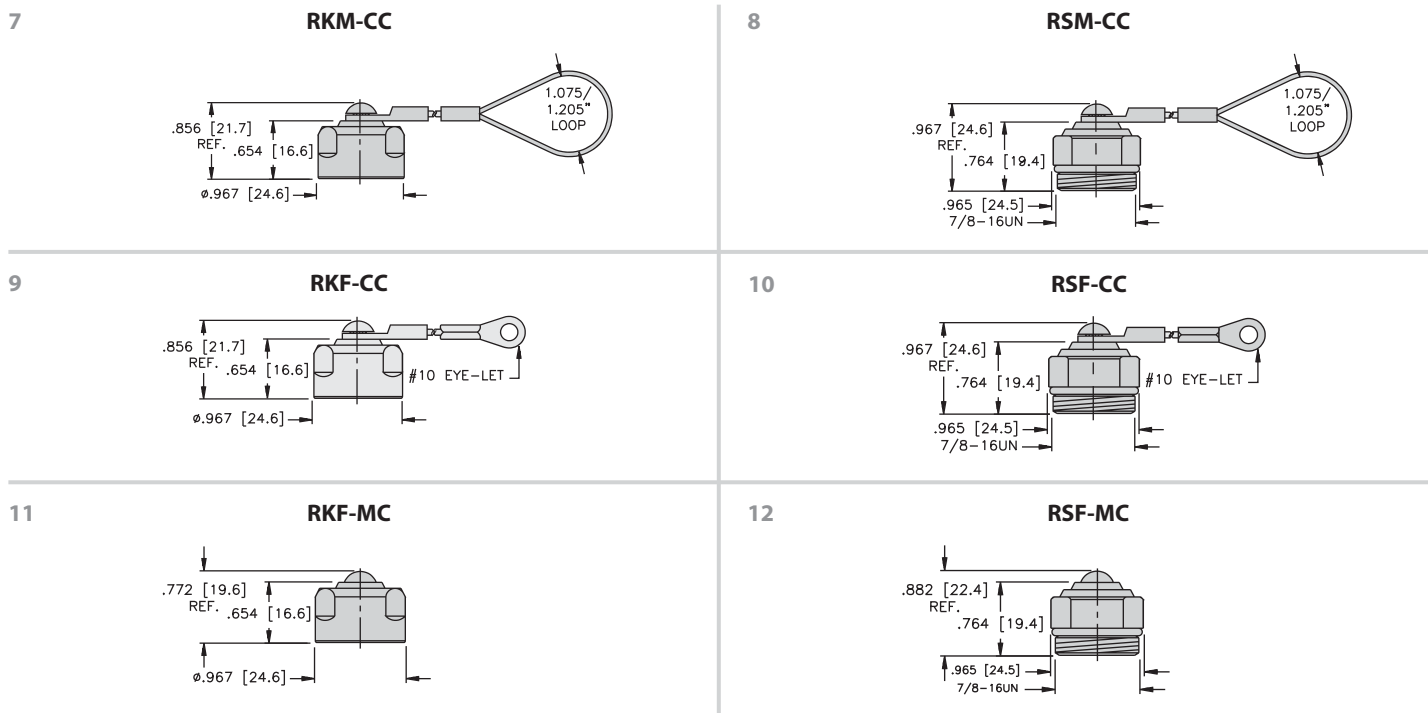
3-Pin		Pinouts	4-Pin		Pinouts
Female	Male		Female	Male	
		1. GN 2. BK 3. WH			1. BK 2. WH 3. RD 4. GN

A-Size 7/8" powerfast Closure Cap Selection Matrix

		7	8	9	10	11	12
		Mates to male cordsets and receptacles	Mates to female cordsets and receptacles	Mates to male receptacles	Mates to female receptacles	Mates to male cordsets and receptacles	Mates to female cordsets and receptacles
Material	Thread	6" SS Loop Lanyard	6" SS Loop Lanyard	6" SS Lanyard with Eyelet	6" SS Lanyard with Eyelet	No Lanyard	No Lanyard
Nickel Plated Brass	7/8-16UN	RKM-CC	RSM-CC	RKF-CC	RSF-CC	RKF-MC	RSF-MC
Stainless Steel	7/8-16UN	RKMV-CC	RSMV-CC	RKfV-CC	RSfV-CC	RKFV-MC	RSfV-MC

See table below for dimensional drawings.

A-Size 7/8" powerfast Closure Cap Dimensions



A-Size 7/8" powerfast

A-Size 7/8" powerlok

Part Number	Application
LOCK-A POWER	Nylon locking guard for straight A-Size powerfast connectors



A-Size powerlok Open



A-Size powerlok Closed

A-Size powerfast Disconnect Switch Specifications

Mechanical

Enclosure material:	Polycarbonate
Contact carrier material:	PUR
Connector housing material:	Nickel plated brass
Environmental protection:	NEMA 12 and IEC IP65

Electrical

Contact material:	Brass or copper with gold plating
Ratings:	15 Amps, 600 VAC

A-Size powerfast Disconnect Switch Selection Matrix



Pins	AWG	Current Rating	Standard	M12 Auxiliary Output
3	14	15 Amps	RSF RKF 34/DS	RSF RKF 34/DS/AUX
4	14	15 Amps	RSF RKF 44/DS	RSF RKF 44/DS/AUX

D-SIZE 1 3/8" *powerfast*™ CONNECTIVITY

Part Number Keys	10
Cordset, Receptacle and Field Wireable Specifications	12
Cordset, Receptacle and Field Wireable Selection Matrix	13
Cordset, Receptacle and Field Wireable Dimensions	15
Cordset, Receptacle and Field Wireable Pinouts	16
Tee and h-Style Tee Specifications	16
Tee and h-Style Tee Selection Matrix	17
Tee and h-Style Tee Dimensions	19
Power Reducer Specifications	23
Power Reducer Selection Matrix	23
Power Reducer Dimensions	23
Tee, h-Style Tee and Power Reducer Wiring Diagrams	24
Tee, h-Style Tee and Power Reducer Pinouts	25
Closure Caps	26
<i>powerlok</i> Accessories	27

Features

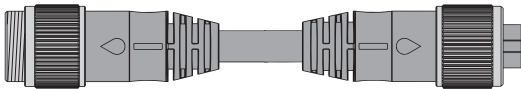
- Ideal for a complete power distribution system
- Tee configurations utilize other ***powerfast*** family connectors
- 3 and 4-pin
- 10-14 AWG conductors
- Up to 30 Amp, 600 Volt rated
- Dual rated TC-ER and ST00W PVC cable
- "/S4000" TC-ER only PVC cable option available
- NEMA 1,3,4,6P protection
- IEC IP67, IP68, IP69K protection

D-Size 1 3/8" powerfast Cordset Part Number Key

Part Number Keys are to assist in IDENTIFICATION ONLY. Consult factory for catalog items not identified.

D-Size 1 3/8" powerfast Cordset	G	S	D	M	30	-	*M	
Gender								Varieties
K = female connector, female threads S = male connector, male threads								(blank) = TC-ER STOOW PVC cable jacket /S4000 = TC-ER PVC cable jacket
D-Size Power								Length in Meters
Configuration								Number of Wires / AWG / Color Codes
(blank) = straight W = right angle								30 = 3x10 AWG BK, GN, WH 32 = 3x12 AWG BK, GN, WH 34 = 3x14 AWG BK, GN, WH 40 = 4x10 AWG BK, GN, RD, WH 42 = 4x12 AWG BK, GN, RD, WH 44 = 4x14 AWG BK, GN, RD, WH
Coupling Nut Material								Insertion Point of Extension Cable 2nd Prefix*
A = anodized aluminum M = nickel plated brass V = 316 stainless steel								* Male connector listed 1st, female connector 2nd Example: GSDM GKDM 30-1M

Extension Example:



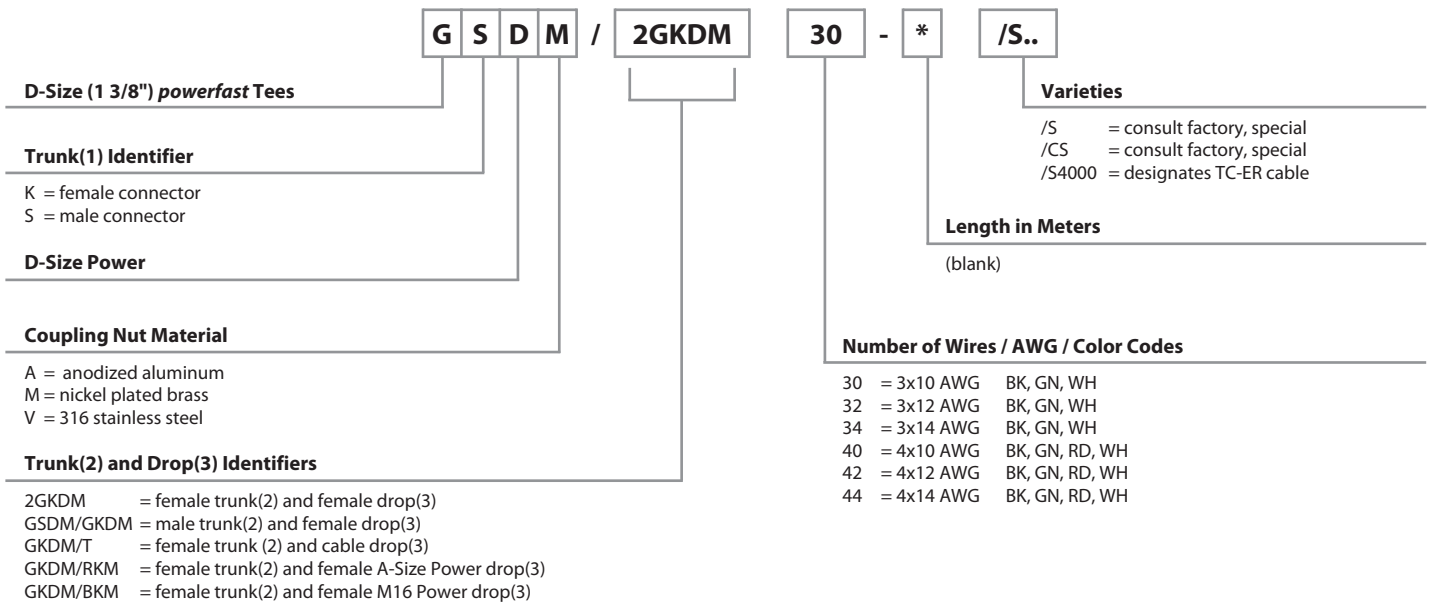
G S D M **G K D M** **30** - ***M**

D-Size 1 3/8" powerfast Receptacle Part Number Key

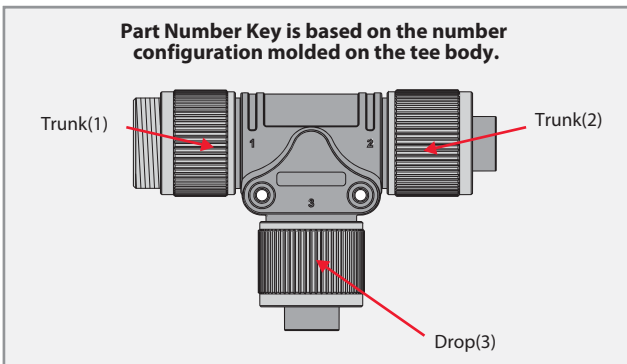
D-Size 1 3/8" powerfast Receptacle	G	K	D	F	30	-	*M	/14.5/NPT
Gender								Thread Type
K = female connector, female threads S = male connector, male threads								/14.5/NPT = 1/2-14 NPT /14.75/NPT = 3/4-14 NPT
D-Size Power								Length in Meters
Designator for Receptacle								Number of Wires / AWG / Color Codes
Housing Material								30 = 3x10 AWG BK, GN, WH 32 = 3x12 AWG BK, GN, WH 34 = 3x14 AWG BK, GN, WH 40 = 4x10 AWG BK, GN, RD, WH 42 = 4x12 AWG BK, GN, RD, WH 44 = 4x14 AWG BK, GN, RD, WH
(blank) = nickel plated brass A = anodized aluminum V = 316 stainless steel								

D-Size 1 3/8" powerfast Tee Part Number Key

Part Number Keys are to assist in IDENTIFICATION ONLY. Consult factory for catalog items not identified.



Note: Only one male connector per tee available.
 Standard female coupling nut material for A-Size Power drop and M16 Power drop is nickel plated brass.



Tee Examples:

G S D M / 2 G K D M 30

G S D M / G K D M / R K M 44 - *

D-Size 1 3/8" powerfast Cordset Specifications

Mechanical

Mold material/Color:	PVC/Black
Contact carrier material:	PVC
Coupling nut material:	
Standard:	Nickel plated brass
Additional options:	Anodized aluminum 316 stainless steel
Environmental protection:	NEMA 1, 3, 4, 6P and IEC IP67, IP68, IP69K
Temperature rating:	-40 to +90°C (-40 to +194°F)

Electrical

Contact material:	Brass or copper with gold plating
Cable jacket material/Color:	
Standard:	TC-ER STOOW PVC/Black
Additional options:	TC-ER PVC/Black (/S4000 version)
Ratings:	15-30 Amps, 600 VAC



D-Size 1 3/8" powerfast Receptacle Specifications

Mechanical

Contact carrier material:	PVC
Housing material/Plating:	
Standard:	Nickel plated brass
Additional options:	Anodized aluminum 316 stainless steel
Environmental protection:	NEMA 1, 3, 4, 6P and IEC IP67, IP68, IP69K
Temperature rating:	-40 to +105°C (-40 to +221°F)

Electrical

Contact material:	Brass or copper with gold plating
Conductor insulation:	PVC
Ratings:	15-30 Amps, 600 VAC



D-Size 1 3/8" powerfast Field Wireable Specifications





Mechanical

Housing material/Color:	Nylon/Black
Contact carrier material:	PVC
Coupling nut material:	
Standard:	Nickel plated brass
Additional options:	Anodized aluminum 316 stainless steel
Environmental protection:	NEMA 6P and IEC IP67
Temperature rating:	-40 to +90°C (-40 to +194°F)

Electrical

Contact material:	Brass or copper with gold plating
Ratings:	Up to 30 Amps, 600 VAC

D-Size 1 3/8" powerfast Cordset Selection Matrix

			1 	2 	3 	4 
			Straight Female	Straight Male	Right Angle Female	Right Angle Male
Pins	AWG	Current Rating	TC-ER STOOW	TC-ER STOOW	TC-ER STOOW	TC-ER STOOW
3	10	30 Amps	GKDM 30-*M	GSDM 30-*M	GKDWM 30-*M	GSDWM 30-*M
	12	25 Amps	GKDM 32-*M	GSDM 32-*M	GKDWM 32-*M	GSDWM 32-*M
	14	18 Amps	GKDM 34-*M	GSDM 34-*M	GKDWM 34-*M	GSDWM 34-*M
4	10	25 Amps	GKDM 40-*M	GSDM 40-*M	GKDWM 40-*M	GSDWM 40-*M
	12	20 Amps	GKDM 42-*M	GSDM 42-*M	GKDWM 42-*M	GSDWM 42-*M
	14	15 Amps	GKDM 44-*M	GSDM 44-*M	GKDWM 44-*M	GSDWM 44-*M

Pins	AWG	Current Rating	TC-ER	TC-ER	TC-ER	TC-ER
3	10	30 Amps	GKDM 30-*M/S4000	GSDM 30-*M/S4000	GKDWM 30-*M/S4000	GSDWM 30-*M/S4000
	12	25 Amps	GKDM 32-*M/S4000	GSDM 32-*M/S4000	GKDWM 32-*M/S4000	GSDWM 32-*M/S4000
	14	18 Amps	GKDM 34-*M/S4000	GSDM 34-*M/S4000	GKDWM 34-*M/S4000	GSDWM 34-*M/S4000
4	10	25 Amps	GKDM 40-*M/S4000	GSDM 40-*M/S4000	GKDWM 40-*M/S4000	GSDWM 40-*M/S4000
	12	20 Amps	GKDM 42-*M/S4000	GSDM 42-*M/S4000	GKDWM 42-*M/S4000	GSDWM 42-*M/S4000
	14	15 Amps	GKDM 44-*M/S4000	GSDM 44-*M/S4000	GKDWM 44-*M/S4000	GSDWM 44-*M/S4000

D-Size 1 3/8" powerfast

See page 15 for dimensional drawings.

* Length in meters. Standard cable lengths are 2, 5 and 10 meters. Consult factory for other lengths.

Note: Extension cables are available, please consult Part Number Key (page 10).

Standard coupling nut material is nickel plated brass. Consult Part Number Key (page 10) for anodized aluminum and 316 stainless steel options.

D-Size 1 3/8" powerfast Receptacle Selection Matrix

Front Mount			5	6	7	8
			Female	Male	Female	Male
Pins	AWG	Current Rating	1/2-14 NPT Mounting Thread	1/2-14 NPT Mounting Thread	3/4-14 NPT Mounting Thread	3/4-14 NPT Mounting Thread
3	10	30 Amps	GKDF 30-*M/14.5/NPT	GSDF 30-*M/14.5/NPT	GKDF 30-*M/14.75/NPT	GSDF 30-*M/14.75/NPT
	12	25 Amps	GKDF 32-*M/14.5/NPT	GSDF 32-*M/14.5/NPT	GKDF 32-*M/14.75/NPT	GSDF 32-*M/14.75/NPT
	14	18 Amps	GKDF 34-*M/14.5/NPT	GSDF 34-*M/14.5/NPT	GKDF 34-*M/14.75/NPT	GSDF 34-*M/14.75/NPT
4	10	25 Amps	GKDF 40-*M/14.5/NPT	GSDF 40-*M/14.5/NPT	GKDF 40-*M/14.75/NPT	GSDF 40-*M/14.75/NPT
	12	20 Amps	GKDF 42-*M/14.5/NPT	GSDF 42-*M/14.5/NPT	GKDF 42-*M/14.75/NPT	GSDF 42-*M/14.75/NPT
	14	15 Amps	GKDF 44-*M/14.5/NPT	GSDF 44-*M/14.5/NPT	GKDF 44-*M/14.75/NPT	GSDF 44-*M/14.75/NPT

See page 16 for dimensional drawings.

* Length in meters. Standard lead length is 0.5 meters. Consult factory for other lengths.

Note: Standard housing material is nickel plated brass. Consult Part Number Key (page 10) for anodized aluminum and 316 stainless steel options.

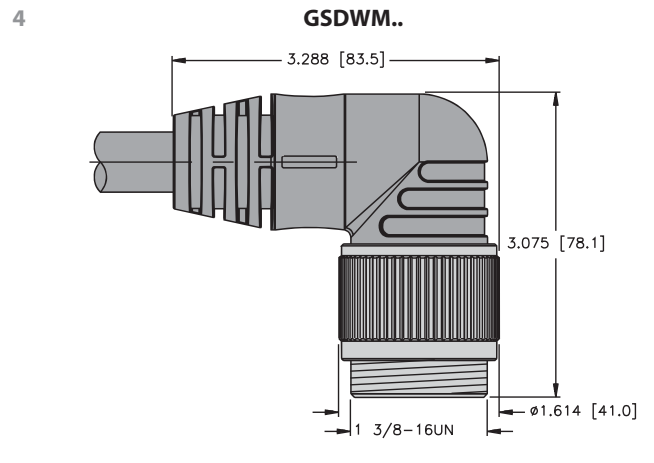
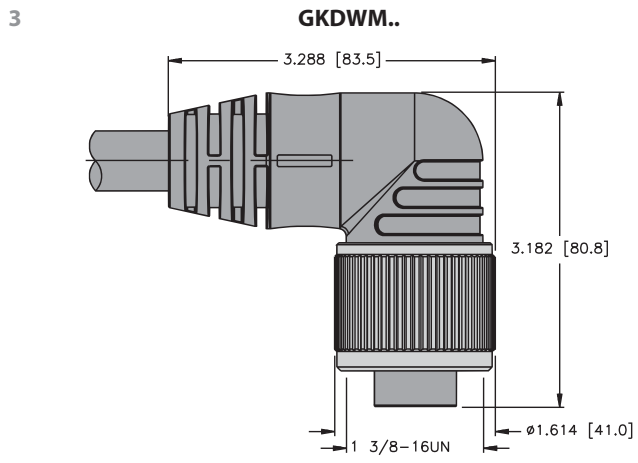
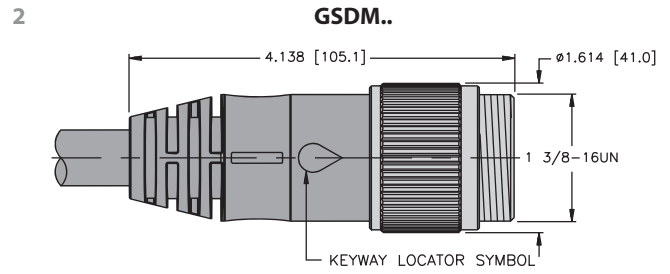
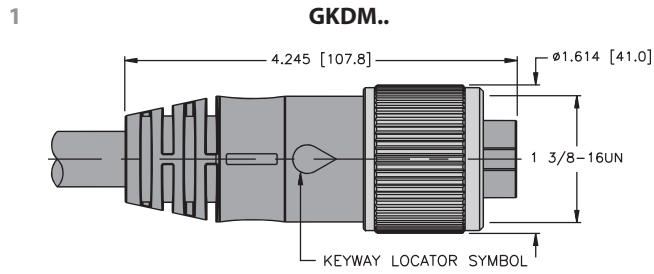
D-Size 1 3/8" powerfast Field Wireable Selection Matrix

Front Mount			9	10
			Female	Male
Pins	AWG	Current Rating	Screw Terminal	Screw Terminal
3	8-14	Up to 30 Amps	GKDM 30-0	GSDM 30-0
4	8-14	Up to 25 Amps	GKDM 40-0	GSDM 40-0

See page 16 for dimensional drawings.

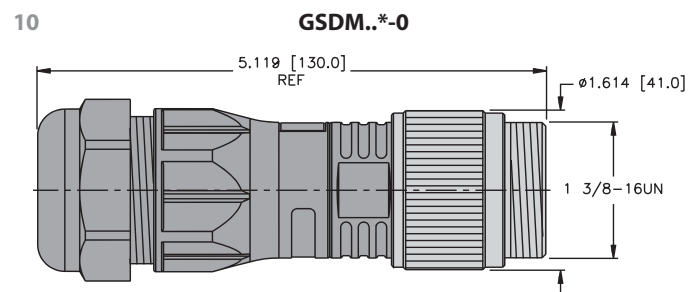
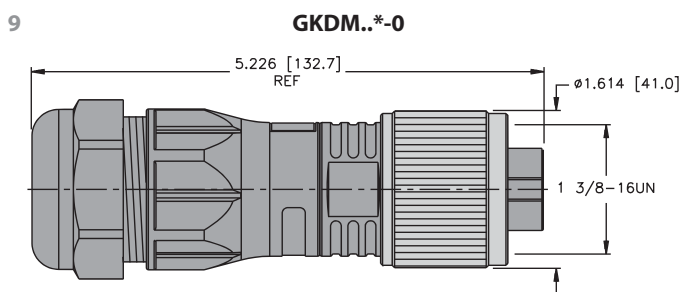
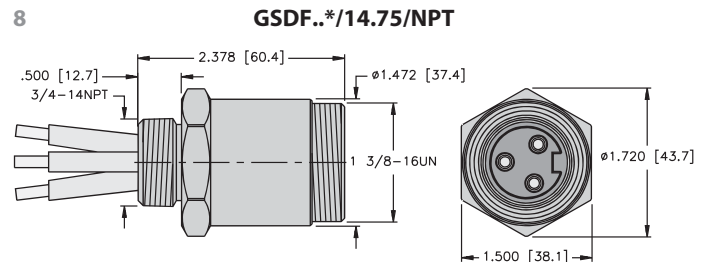
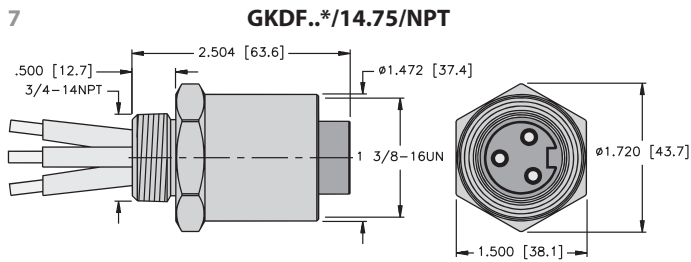
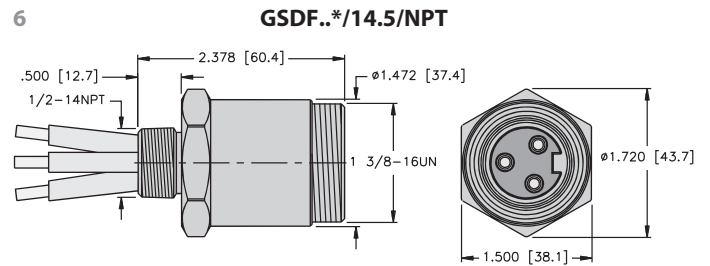
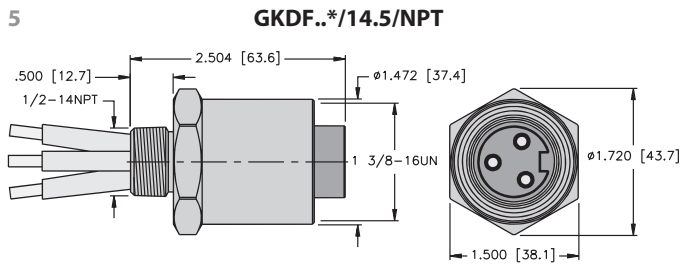
Note: Standard coupling nut material is nickel plated brass. Consult factory for anodized aluminum and 316 stainless steel options.

D-Size 1 3/8" powerfast Cordset Dimensions

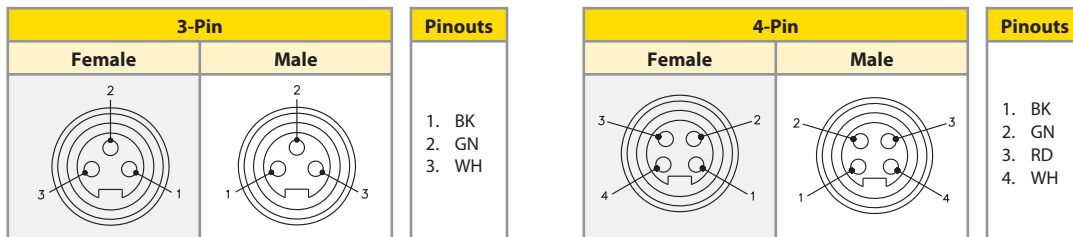


D-Size 1 3/8" powerfast

D-Size 1 3/8" powerfast Receptacle and Field Wireable Dimensions






D-Size 1 3/8" powerfast Cordset, Receptacle and Field Wireable Pinouts



D-Size 1 3/8" powerfast Tee and h-Style Tee Specifications

Mechanical		Electrical	
Mold material/Color:	PVC/Black	Contact material:	Brass or copper with gold plating
Contact carrier material:	PVC	Cable jacket material/Color:	
Coupling nut material:		Standard:	TC-ER STOOW PVC/Black
Standard:	Nickel plated brass	Additional options:	TC-ER PVC/Black (/S4000 version)
Additional options:	Anodized aluminum 316 stainless steel	Ratings:	15-30 Amps, 600 VAC
Environmental protection:	NEMA 1, 3, 4, 6P and IEC IP67, IP68, IP69K		
Temperature rating:	-40 to +90°C (-40 to +194°F)		

D-Size 1 3/8" powerfast Tee Selection Matrix

				11 	12 	13 
				Integral D-Size Connector Drop	Integral A-Size Connector Drop	Integral M16 Connector Drop
Pins	Drop AWG	Trunk Current Rating	Drop Current Rating			
3	10	30 Amps	30 Amps	GSDM/2GKDM 30		
	14	30 Amps	15 Amps		GSDM/GKDM/RKM 34-*	GSDM/GKDM/BKM 34
4	10	25 Amps	25 Amps	GSDM/2GKDM 40		
	14	25 Amps	15 Amps		GSDM/GKDM/RKM 44-*	GSDM/GKDM/BKM 44




See page 19 for dimensional drawings.

* Length in meters. Standard cable lengths are 2, 5 and 10 meters. Consult factory for other lengths.

Note: Extension cables are available, please consult Part Number Key (page 11).

Standard coupling nut material is nickel plated brass. Consult Part Number Key (page 11) for anodized aluminum and 316 stainless steel options.

D-Size 1 3/8" powerfast Tee Selection Matrix

				14 	15 	16 	17 
				Cable Drop	Cable Drop With D-Size Power Connector	Cable Drop With A-Size Power Connector	Cable Drop With M16 Power Connector
Pins	Drop AWG	Trunk Current Rating	Drop Current Rating	TC-ER STOOW	TC-ER STOOW	TC-ER STOOW	TC-ER STOOW
3	10	30 Amps	30 Amps	GSDM/GKDM/T30-*	GSDM/2GKDM 30-*		
	12	30 Amps	25 Amps	GSDM/GKDM/T32-*	GSDM/2GKDM 32-*		
	14	30 Amps	18 Amps	GSDM/GKDM/T34-*	GSDM/2GKDM 34-*	GSDM/GKDM/RKM 34-*	
4	10	25 Amps	25 Amps	GSDM/GKDM/T40-*	GSDM/2GKDM 40-*		
	12	25 Amps	20 Amps	GSDM/GKDM/T42-*	GSDM/2GKDM 42-*		
	14	25 Amps	15 Amps	GSDM/GKDM/T44-*	GSDM/2GKDM 44-*	GSDM/GKDM/RKM 44-*	

Pins	Drop AWG	Trunk Current Rating	Drop Current Rating	TC-ER	TC-ER	TC-ER	TC-ER
3	10	30 Amps	30 Amps	GSDM/GKDM/T30-*/S4000	GSDM/2GKDM 30-*/S4000		
	12	30 Amps	25 Amps	GSDM/GKDM/T32-*/S4000	GSDM/2GKDM 32-*/S4000		
	14	30 Amps	18 Amps	GSDM/GKDM/T34-*/S4000	GSDM/2GKDM 34-*/S4000	GSDM/GKDM/RKM 34-*/S4000 [†]	GSDM/GKDM/BKM34-*/S4000 [†]
4	10	25 Amps	25 Amps	GSDM/GKDM/T40-*/S4000	GSDM/2GKDM 40-*/S4000		
	12	25 Amps	20 Amps	GSDM/GKDM/T42-*/S4000	GSDM/2GKDM 42-*/S4000		
	14	25 Amps	15 Amps	GSDM/GKDM/T44-*/S4000	GSDM/2GKDM 44-*/S4000	GSDM/GKDM/RKM 44-*/S4000	GSDM/GKDM/BKM44-*/S4000

See page 20 for dimensional drawings.

* Length in meters. Standard cable lengths are 2, 5 and 10 meters. Consult factory for other lengths.

† Drop current rating of 15 amps.

Note: Extension cables are available, please consult Part Number Key (page 11).

Standard coupling nut material is nickel plated brass. Consult Part Number Key (page 11) for anodized aluminum and 316 stainless steel options.

D-Size 1 3/8" powerfast

D-Size 1 3/8" powerfast h-Style Tee Selection Matrix

				18	19	20
				Integral D-Size Connector Drop	Integral A-Size Connector Drop	Integral M16 Connector Drop
Pins	Drop AWG	Trunk Current Rating	Drop Current Rating			
3	10	30 Amps	30 Amps	SH-GSDM/2GKDM 30		
	14	30 Amps	15 Amps		SH-GSDM/GKDM/RKM 34-*	SH-GSDM/GKDM/BKM 34
4	10	25 Amps	25 Amps	SH-GSDM/2GKDM 40		
	14	25 Amps	15 Amps		SH-GSDM/GKDM/RKM 44-*	SH-GSDM/GKDM/BKM 44

				21	22	23	24
				Cable Drop	Cable Drop With D-Size Power Connector	Cable Drop With A-Size Power Connector	Cable Drop With M16 Power Connector
Pins	Drop AWG	Trunk Current Rating	Drop Current Rating	TC-ER STOOW	TC-ER STOOW	TC-ER STOOW	TC-ER STOOW
3	10	30 Amps	30 Amps	SH-GSDM/GKDM/T30-*	SH-GSDM/2GKDM 30-*		
	12	30 Amps	25 Amps	SH-GSDM/GKDM/T32-*	SH-GSDM/2GKDM 32-*		
	14	30 Amps	18 Amps	SH-GSDM/GKDM/T34-*	SH-GSDM/2GKDM 34-*	SH-GSDM/GKDM/RKM 34-*	†
4	10	25 Amps	25 Amps	SH-GSDM/GKDM/T40-*	SH-GSDM/2GKDM 40-*		
	12	25 Amps	20 Amps	SH-GSDM/GKDM/T42-*	SH-GSDM/2GKDM 42-*		
	14	25 Amps	15 Amps	SH-GSDM/GKDM/T44-*	SH-GSDM/2GKDM 44-*	SH-GSDM/GKDM/RKM 44-*	

Pins	Drop AWG	Trunk Current Rating	Drop Current Rating	TC-ER	TC-ER	TC-ER	TC-ER
3	10	30 Amps	30 Amps	SH-GSDM/GKDM/T30-*/S4000	SH-GSDM/2GKDM 30-*/S4000		
	12	30 Amps	25 Amps	SH-GSDM/GKDM/T32-*/S4000	SH-GSDM/2GKDM 32-*/S4000		
	14	30 Amps	18 Amps	SH-GSDM/GKDM/T34-*/S4000	SH-GSDM/2GKDM 34-*/S4000	SH-GSDM/GKDM/RKM 34-*/S4000†	SH-GSDM/GKDM/BKM 34-*/S4000†
4	10	25 Amps	25 Amps	SH-GSDM/GKDM/T40-*/S4000	SH-GSDM/2GKDM 40-*/S4000		
	12	25 Amps	20 Amps	SH-GSDM/GKDM/T42-*/S4000	SH-GSDM/2GKDM 42-*/S4000		
	14	25 Amps	15 Amps	SH-GSDM/GKDM/T44-*/S4000	SH-GSDM/2GKDM 44-*/S4000	SH-GSDM/GKDM/RKM 44-*/S4000	SH-GSDM/GKDM/BKM 44-*/S4000

See page 19 for dimensional drawings.

* Length in meters. Standard cable lengths are 2, 5 and 10 meters. Consult factory for other lengths.

† Drop current rating of 15 amps.

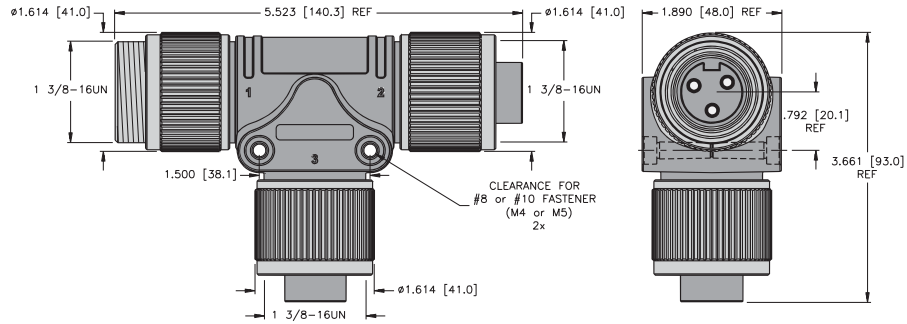
Note: Extension cables are available, please consult Part Number Key (page 11).

Standard coupling nut material is nickel plated brass. Consult Part Number Key (page 11) for anodized aluminum and 316 stainless steel options.

D-Size 1 3/8" powerfast Tee Dimensions

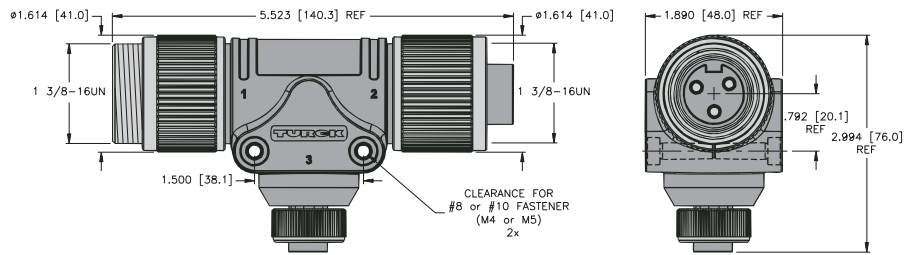
11

**Integral D-Size Power Connector Drop
GSDM/2GKDM..**



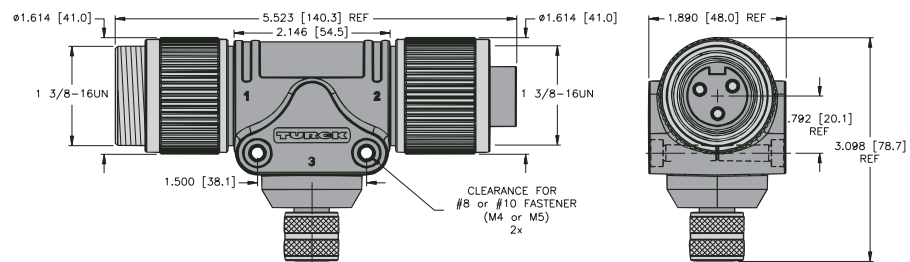
12

**Integral A-Size Power Connector Drop
GSDM/GKDM/RKM..**



13

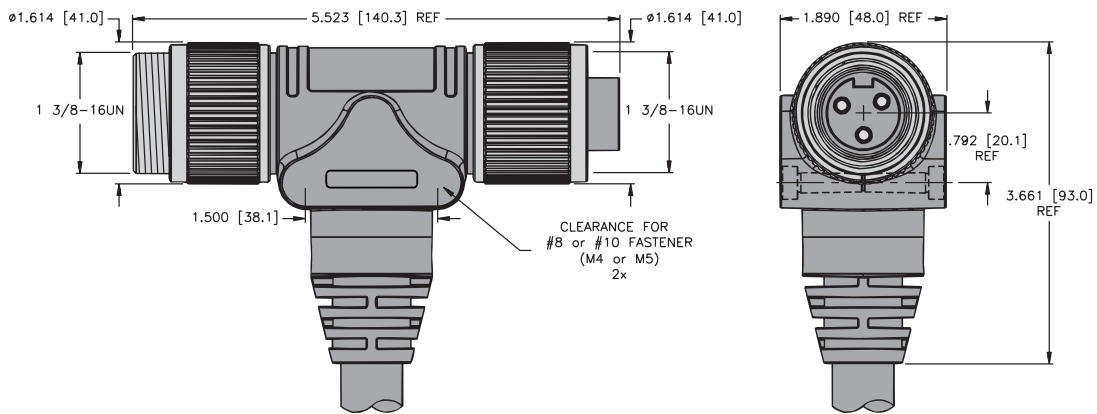
**Integral M16 Power Connector Drop
GSDM/GKDM/BKM..**



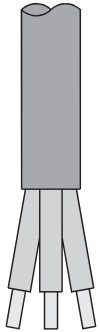
D-Size 1 3/8" powerfast

D-Size 1 3/8" powerfast Tee Dimensions

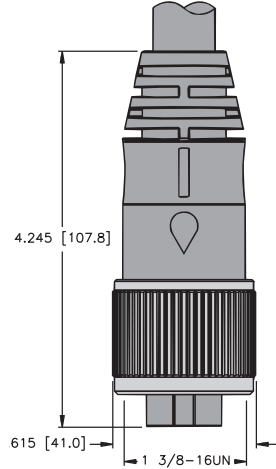
Tee with Cable Drop and Connector Options



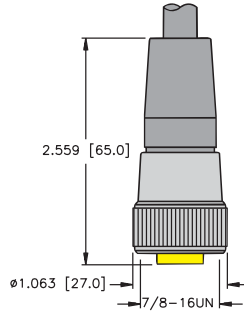
14 Cable Drop
GSDM/GKDM/T..



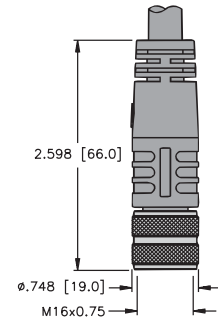
15 D-Size Power Connector
GSDM/2GKDM..



16 A-Size Power Connector
GSDM/GKDM/RKM..



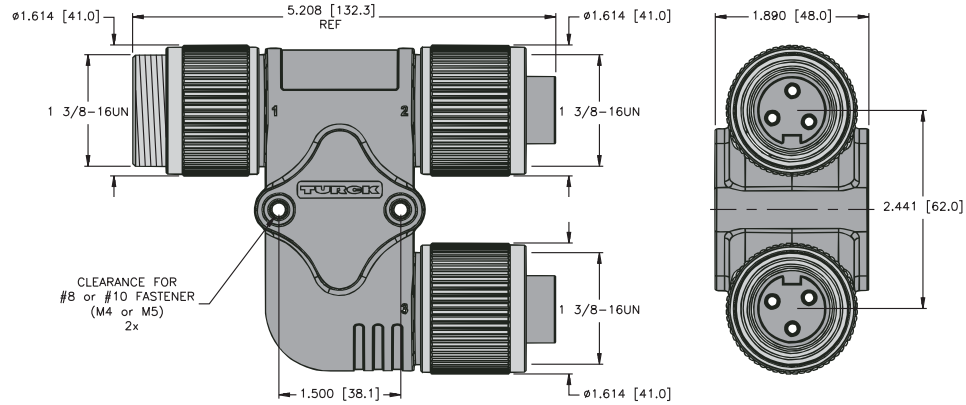
17 M16 Power Connector
GSDM/GKDM/BKM..



D-Size 1 3/8" powerfast h-Style Tee Dimensions

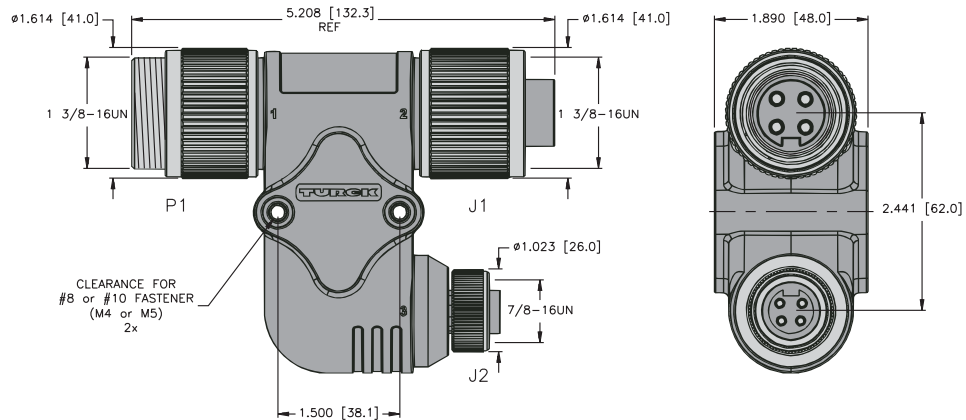
18

**Integral D-Size Power Connector Drop
SH-GSDM/2GKDM..**



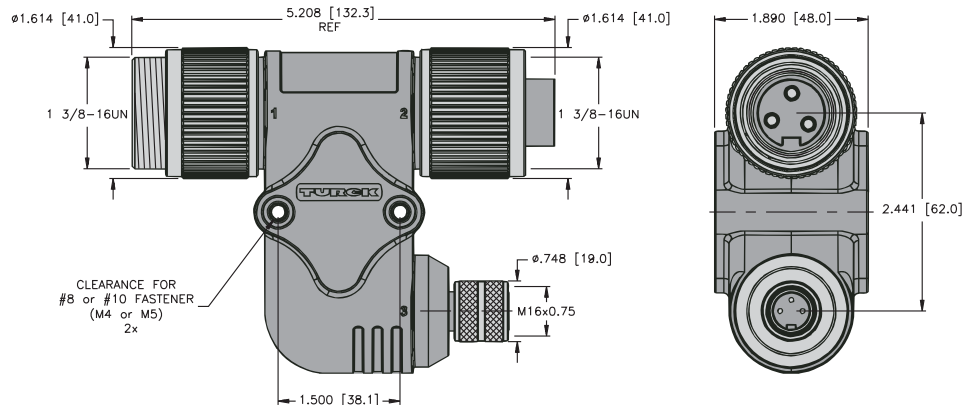
19

**Integral A-Size Power Connector Drop
SH-GSDM/GKDM/RKM..**



20

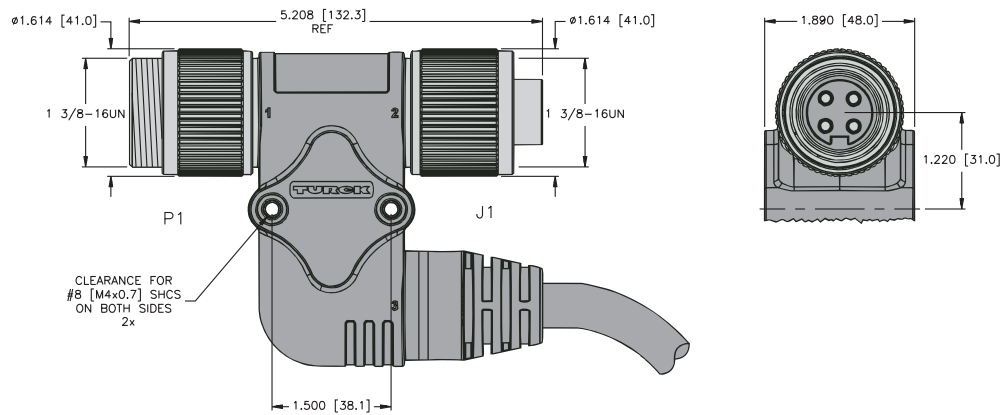
**Integral M16 Power Connector Drop
SH-GSDM/GKDM/BKM..**



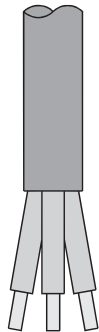
D-Size 1 3/8" powerfast

D-Size 1 3/8" powerfast h-Style Tee Dimensions

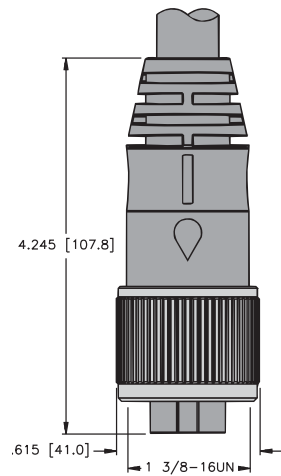
h-Style Tee with Cable Drop and Connector Options



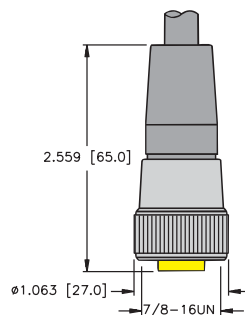
**21 Cable Drop
SH-GSDM/GKDM/T**



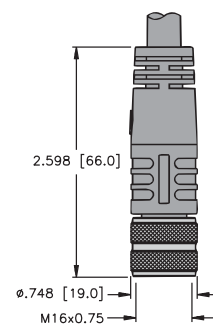
**22 D-Size Power Connector
SH-GSDM/2GKDM..**



**23 A-Size Power Connector
SH-GSDM/GKDM/RKM..**



**24 M16 Power Connector
SH-GSDM/GKDM/BKM..**



D-Size 1 3/8" powerfast Power Reducer Specifications

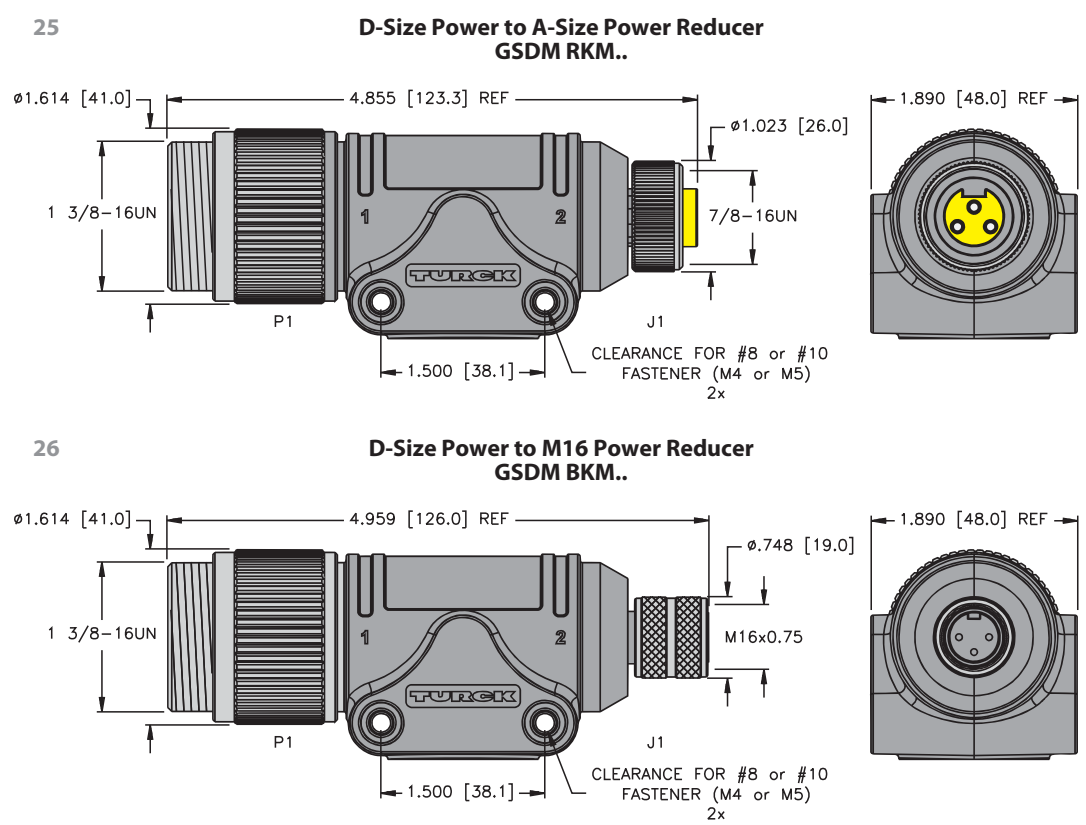
Mechanical		Electrical	
Mold material/Color:	PVC/Black	Contact material:	Brass or copper with gold plating
Contact carrier material:	PVC	Ratings:	15 Amps, 600 VAC
Coupling nut material:			
Standard:	Nickel plated brass		
Additional options:	Anodized aluminum 316 stainless steel		
Environmental protection:	NEMA 1, 3, 4, 6P and IEC IP67, IP68, IP69K		
Temperature rating:	-40 to +90°C (-40 to +194°F)		

D-Size 1 3/8" powerfast Power Reducer Selection Matrix

			25	26
Pins	Drop AWG	Current Rating	D-Size Power to A-Size Power Reducer	D-Size Power to M16 Power Reducer
3	14	Up to 15 Amps	GSDM RKM 34-0	GSDM BKM 34-0
4	14	Up to 15 Amps	GSDM RKM 44-0	GSDM BKM 44-0

See page 20 for dimensional drawings.
Note: Standard coupling nut material is nickel plated brass. Consult factory for anodized aluminum and 316 stainless steel options.

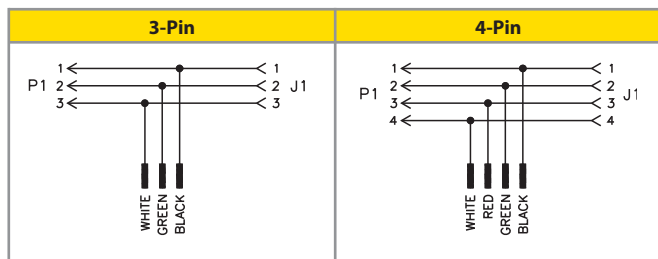
D-Size 1 3/8" powerfast Power Reducer Dimensions



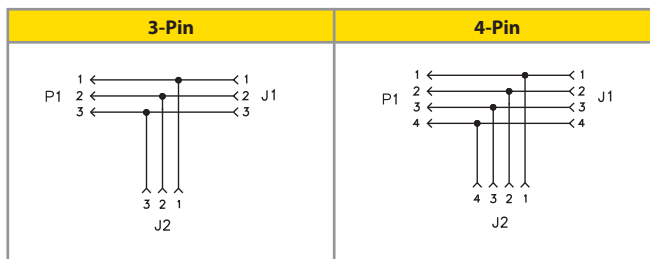
D-Size 1 3/8" powerfast

D-Size 1 3/8" powerfast Tee and h-Style tee Wiring Diagrams

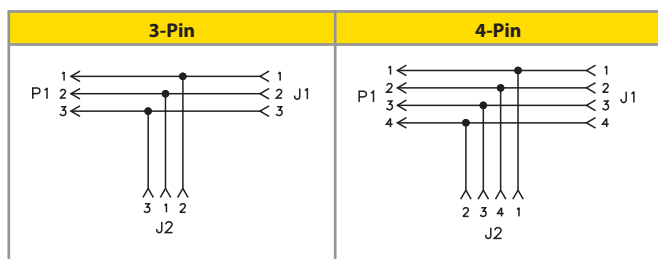
Cable Drop



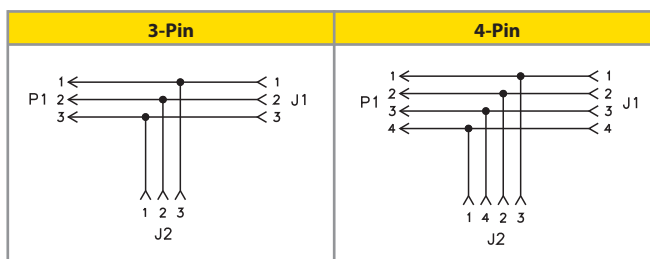
D-Size Power Drop



A-Size Power Drop

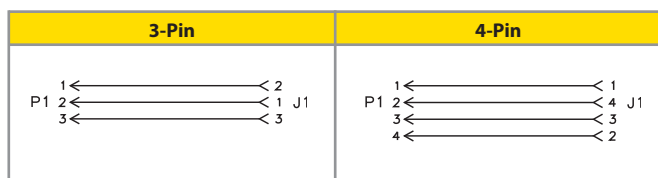


M16 Power Drop

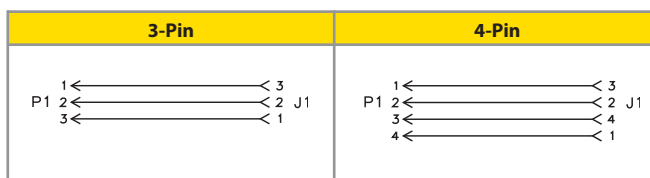


D-Size 1 3/8" powerfast Power Reducer Wiring Diagrams

D-Size Power to A-Size Power

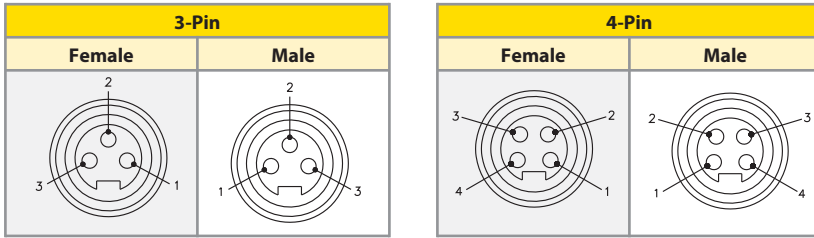


D-Size Power to M16 Power

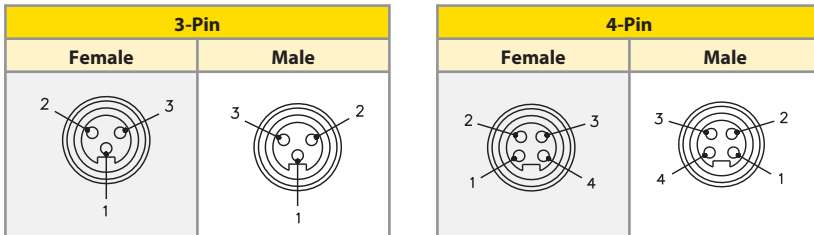


D-Size 1 3/8" powerfast Tee and Power Reducer Pinouts

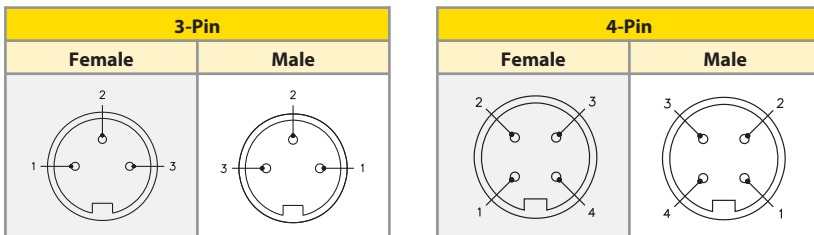
D-Size Power



A-Size Power



M16 Power

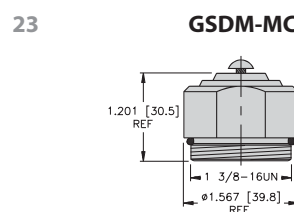
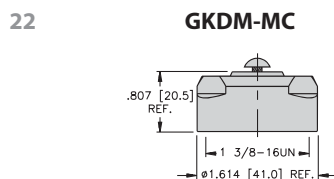
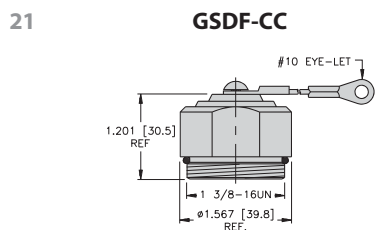
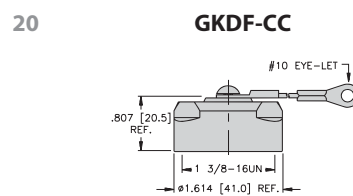
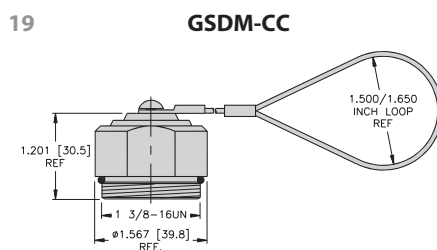
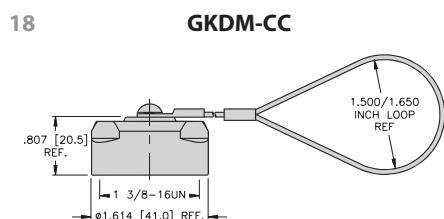


D-Size 1 3/8" powerfast Closure Cap Selection Matrix

		18	19	20	21	22	23
		Mates to male cordsets and receptacles	Mates to female cordsets and receptacles	Mates to male receptacles	Mates to female receptacles	Mates to male cordsets and receptacles	Mates to female cordsets and receptacles
Material	Thread	6" SS Loop Lanyard	6" SS Loop Lanyard	7" SS Lanyard with Eyelet	7" SS Lanyard with Eyelet	No Lanyard	No Lanyard
Nickel Plated Brass	1 3/8-16UN	GKDM-CC	GSDM-CC	GKDF-CC	GSDF-CC	GKDM-MC	GSDM-MC

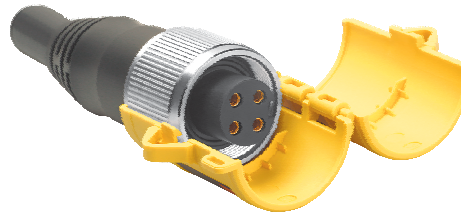
See table below for dimensional drawings.

D-Size 1 3/8" powerfast Closure Cap Dimensions



D-Size 1 3/8" powerlok

Part Number	Application
LOCK-D POWER	Nylon locking guard for straight or right angle D-Size <i>powerfast</i> connectors



D-Size *powerlok* Open



D-Size *powerlok* Closed

D-Size 1 3/8" powerfast

Notes

M16 *powerfast*™ CONNECTIVITY

Part Number Keys	30
Cordset, Receptacle and Field Wireable Specifications	32
Cordset, Receptacle and Field Wireable Selection Matrix	32
Cordset, Receptacle and Field Wireable Dimensions	34
Cordset, Receptacle and Field Wireable Pinouts	35
Tee Specifications	36
Tee Selection Matrix	36
Tee Dimensions	37
Tee Wiring Diagrams	43
Tee Pinouts	43
Closure Caps	44
<i>powerlok</i> Accessories	44

Features

- Ideal for small motor applications
- Shielded versions available
- Multiple tee configurations
- 2 to 4-pin
- 12 and 14 AWG conductors
- Up to 18 Amp, 600 Volt rated
- Tray rated-exposed run PVC cable
- IEC IP67 protection

M16 powerfast Cordset Part Number Key

Part Number Keys are to assist in IDENTIFICATION ONLY. Consult factory for catalog items not identified.

M16 (16 mm) powerfast Cordset	B S M	34-198	*	/S..
Gender K = female connector S = male connector				Varieties /S = consult factory, special /CS = consult factory, special
Configuration M = straight WM = right angle				Length in Meters
Coupling Nut Material (blank) = nickel plated brass K = nylon V = 316 stainless steel				Number of Wires / AWG / Color Code 22-380 = 2x12 AWG WH, BK 34-198 = 3x14 AWG WH, GN, BK 44-193 = 4x14 AWG WH, GN, BK, RD
Insertion Point of Extension Cable 2nd Prefix*				
* Male connector listed 1st, female connector 2nd Example: BSM BKM 34-198*				

Extension Example:

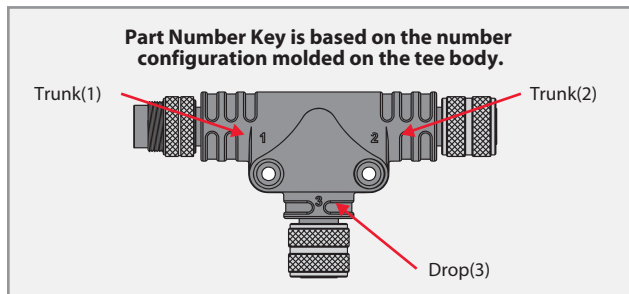


B S M **B K M** **34-198** - *****

M16 powerfast Tee Part Number Key

M16 (16 mm) powerfast	B S M	/ 2BKM	34	-	198	-	*	-	/S..
Trunk(1) Identifier K = female connector S = male connector									Varieties /S = consult factory, special /CS = consult factory, special
Configuration M = straight									Length in Meters (blank) = connector only * = drop cable */*/ = trunk(1) cable / trunk(2) cable / drop(3) cable
Coupling Nut Material (blank) = nickel plated brass K = nylon V = 316 stainless steel									AWG / Color Code (blank) = connector only 380 = 2x12 AWG, WH, BK 198 = 3x14 AWG, WH, GN, BK 193 = 4x14 AWG, WH, GN, BK, RD
Trunk(2) and Drop(3) Identifiers 2BKM = female trunk(2) and female drop(3) BSM/BKM = male trunk(2) and female drop(3) BKM/T = female trunk(2) and cable drop(3)									Number of Pins 22 = 2 34 = 3 44 = 4

Note: Only one male connector per tee available.



Tee Examples:

B S M / 2 B K M **34** - **198** - *****

B S M / 2 B K M **44**

M16 powerfast Receptacle Part Number Key

Part Number Keys are to assist in IDENTIFICATION ONLY. Consult factory for catalog items not identified.

<p>M16 (16 mm) powerfast Receptacle</p> <p>Gender K = female receptacle S = male receptacle</p> <p>Designator for Receptacle</p> <p>Housing Style (blank) = front mount D = rear mount</p> <p>Housing Material (blank) = nickel plated brass V = 316 stainless steel</p>	<p>22 - * /14.5/NPT</p> <p>Thread Type /14.5/NPT = 1/2-14NPT threads /18.375/NPT = 3/8-18NPT threads /M20 = M20 threads /M18 = M18 threads</p> <p>Length in Meters</p> <p>Number of Wires / AWG / Color Code 22 = 2x12 AWG WH, BK 34 = 3x14 AWG WH, GN, BK 44 = 4x14 AWG WH, GN, BK, RD</p>
---	---

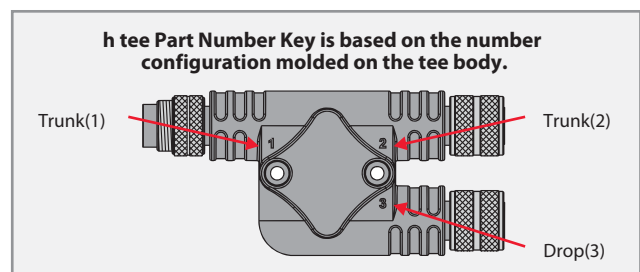
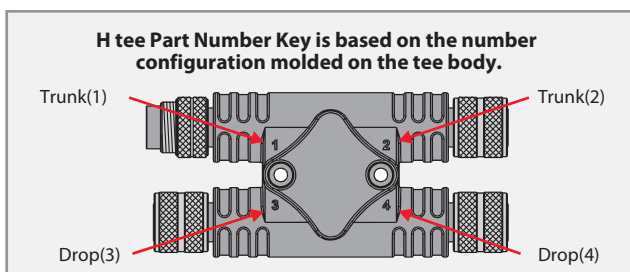
M16 powerfast H/h Style Tee Part Number Key

<p>BH - B S M / 2BKM</p> <p>H/h Style BH = big H SH = small h</p> <p>M16 (16 mm) powerfast</p> <p>Trunk(1) Identifier K = female connector S = male connector</p> <p>Configuration M = straight</p> <p>Coupling Nut Material (blank) = nickel plated brass K = nylon V = 316 stainless steel</p> <p>Trunk(2) and Drop(3&4) Identifiers 2BKM = female trunk(2) and female drop(3) (h) BSM/BKM = male trunk(2) and female drop(3) (h) BKM/T = female trunk(2) and cable drop (3) (h) 3BKM = female trunk(2) and female drops(3&4) (H) BSM/2BKM = male trunk(2) and female drops(3&4) (H)</p>	<p>34 - 198 - * - /S..</p> <p>Varieties /S = consult factory, special /CS = consult factory, special</p> <p>Length in Meters (blank) = connector only * = drop cable **/** = trunk(1) cable / trunk(2) cable / drop(3) cable **/**/** = trunk(1) cable / trunk(2) cable / drop(3) cable / drop(4) cable</p> <p>AWG / Color Code (blank) = connector only 380 = 2x12 AWG, WH, BK 198 = 3x14 AWG, WH, GN, BK 193 = 4x14 AWG, WH, GN, BK, RD</p> <p>Number of Pins 22 = 2 34 = 3 44 = 4</p>
---	---

Tee Examples:



Note: Only one male connector per tee.



M16 powerfast Cordset Specifications

Mechanical

Mold material/Color:	PUR/Black
Contact carrier material:	PUR
Coupling nut material:	
Standard:	Nickel plated brass
Additional options:	Nylon 316 stainless steel
Environmental protection:	IEC IP67
Temperature rating:	-40 to +90°C (-40 to +194°F)

Electrical

Contact material:	Brass or copper with gold plating
Cable jacket material/Color:	TC-ER PVC/Black
Ratings:	15-18 Amps, 600 V



M16 powerfast Receptacle Specifications

Mechanical

Contact carrier material:	PUR
Housing material/Plating:	
Standard:	Nickel plated brass
Additional options:	316 stainless steel
O-Ring material:	Nitrile (BUNA N)
Environmental protection:	IEC IP67
Temperature rating:	-40 to +105°C (-40 to +221°F)

Electrical

Contact material:	Brass or copper with gold plating
Conductor insulation:	PVC
Ratings:	15-18 Amps, 600 V



M16 powerfast Field Wireable Specifications




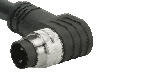
Mechanical

Housing material/Color:	Glass filled nylon or PVC/Black
Contact carrier material:	PUR
Coupling nut material:	
Standard:	Nickel plated brass
Additional options:	Nylon 316 stainless steel
Environmental protection:	NEMA 6P and IEC IP67
Temperature rating:	-40 to +90°C (-40 to +194°F)

Electrical

Contact material:	Brass or copper with gold plating
Ratings:	15-18 Amps, 600 VAC

M16 powerfast Cordset Selection Matrix

			1 	2 	3 	4 
			Straight Female	Straight Male	Right Angle Female	Right Angle Male
Pins	AWG	Current Rating	TC-ER	TC-ER	TC-ER	TC-ER
2	12	18 Amps	BKM 22-380-*	BSM 22-380-*	BKWM 22-380-*	BSWM 22-380-*
3	14	15 Amps	BKM 34-198-*	BSM 34-198-*	BKWM 34-198-*	BSWM 34-198-*
4	14	15 Amps	BKM 44-193-*	BSM 44-193-*	BKWM 44-193-*	BSWM 44-193-*

Pins	AWG	Current Rating	SHIELDED TC-ER	SHIELDED TC-ER
2	12	18 Amps	BKMS 22-1759-*	BSMS 22-1759-*
3	14	15 Amps	BKMS 34-1364-*	BSMS 34-1364-*
4	14	15 Amps	BKMS 44-1363-*	BSMS 44-1363-*





See pages 30-31 for dimensional drawings.





* Length in meters. Standard cable lengths are 2, 5 and 10 meters. Consult factory for other lengths.



Note: Extension cables are available, please consult Part Number Key (page 26).

Standard coupling nut material is nickel plated brass. Consult Part Number Key (page 26) for nylon and 316 stainless steel options.

M16 powerfast Receptacle Selection Matrix

Front Mount			5	6	7	8
						
			Female	Male	Female	Male
Pins	AWG	Current Rating	1/2-14NPT Mounting Thread	1/2-14NPT Mounting Thread	3/8-18NPT Mounting Thread	3/8-18NPT Mounting Thread
2	12	18 Amps	BKF 22-*/14.5/NPT	BSF 22-*/14.5/NPT	BKF 22-*/18.375/NPT	BSF 22-*/18.375/NPT
3	14	15 Amps	BKF 34-*/14.5/NPT	BSF 34-*/14.5/NPT	BKF 34-*/18.375/NPT	BSF 34-*/18.375/NPT
4	14	15 Amps	BKF 44-*/14.5/NPT	BSF 44-*/14.5/NPT	BKF 44-*/18.375/NPT	BSF 44-*/18.375/NPT

Front Mount			9	10	11	12
						
			Female	Male	Female	Male
Pins	AWG	Current Rating	M18 Mounting Thread	M18 Mounting Thread	M20 Mounting Thread	M20 Mounting Thread
2	12	18 Amps	BKF 22-*/M18	BSF 22-*/M18	BKF 22-*/M20	BSF 22-*/M20
3	14	15 Amps	BKF 34-*/M18	BSF 34-*/M18	BKF 34-*/M20	BSF 34-*/M20
4	14	15 Amps	BKF 44-*/M18	BSF 44-*/M18	BKF 44-*/M20	BSF 44-*/M20

Rear Mount			13	14
				
			Female	Male
Pins	AWG	Current Rating	M18 Mounting Thread	M18 Mounting Thread
2	12	18 Amps	BKFD 22-*/M18	BSFD 22-*/M18
3	14	15 Amps	BKFD 34-*/M18	BSFD 34-*/M18
4	14	15 Amps	BKFD 44-*/M18	BSFD 44-*/M18



See pages 30-31 for dimensional drawings.

* Length in meters. Standard lead length is 0.5 meters. Consult factory for other lengths.

Note: Standard housing material is nickel plated brass. Consult Part Number Key (page 27) for 316 stainless steel options.

M16 powerfast

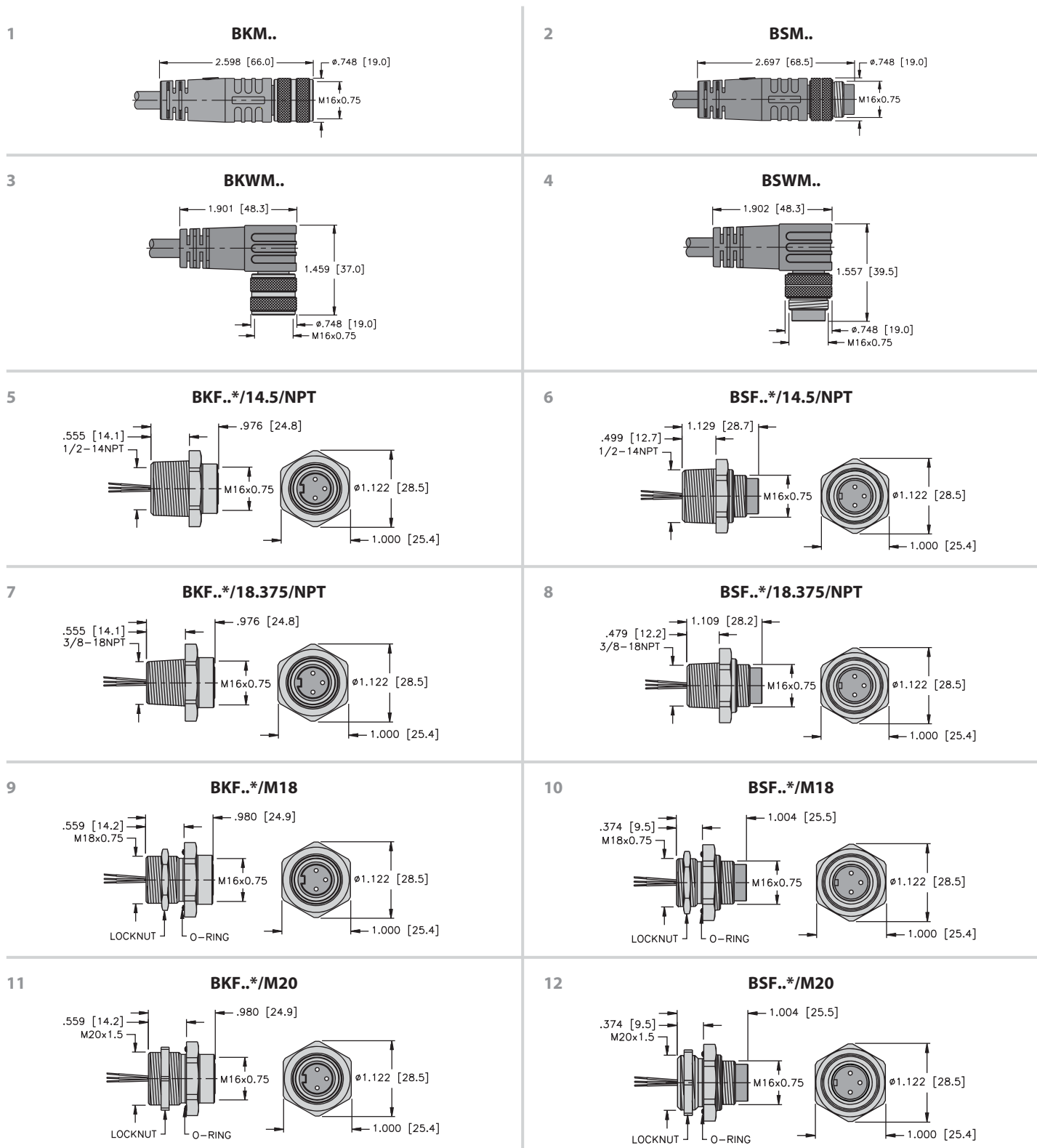
M16 powerfast Field Wireable Selection Matrix

			15	16
				
			Straight Female, PG 11 Cable Gland Accepts 8-11 mm Cable Diameter	Straight Male, PG 11 Cable Gland Accepts 8-11 mm Cable Diameter
Pins	Acceptable Conductor AWG	Current Rating	Screw Terminal	Screw Terminal
2	12	18 Amps	BK 22-0	BS 22-0
3	14	15 Amps	BK 34-0	BS 34-0
4	14	15 Amps	BK 44-0	BS 44-0

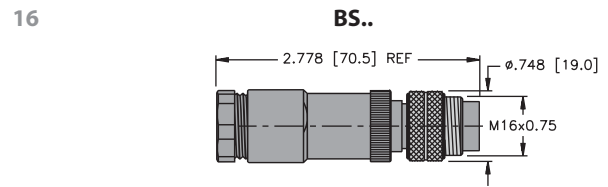
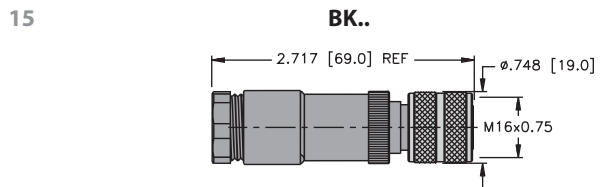
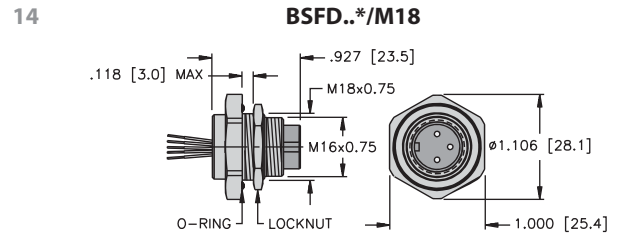
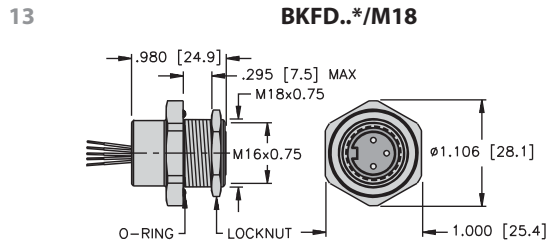
See pages 30-31 for dimensional drawings.

Note: Standard coupling nut material is nickel plated brass. Consult factory for nylon and 316 stainless steel options.

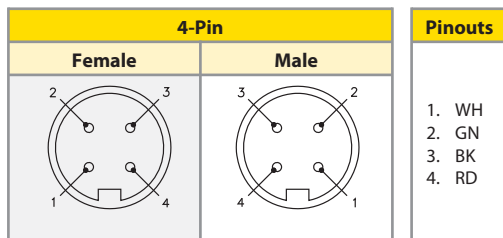
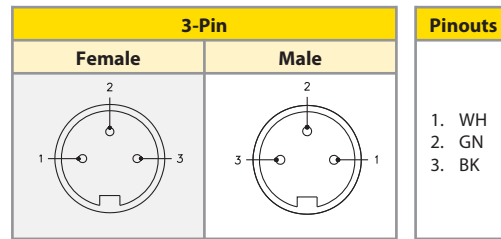
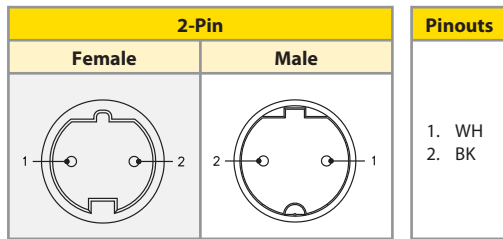
M16 powerfast Cordset, Receptacle and Field Wireable Dimensions



M16 powerfast Cordset, Receptacle and Field Wireable Dimensions



M16 powerfast Cordset, Receptacle and Field Wireable Pinouts



M16 powerfast

M16 powerfast Tee Specifications

Mechanical

Mold material/Color:	PUR/Black
Contact carrier material:	PUR
Coupling nut material:	
Standard:	Nickel plated brass
Additional options:	Nylon 316 stainless steel

Environmental Protection: IEC IP67

Temperature Rating:

Integral connector version:	-40 to +105°C (-40 to +221°F)
Cable version:	-40 to +90°C (-40 to +194°F)

Electrical

Contact material:	Brass or copper with gold plating
Cable jacket material/Color:	TC-ER PVC/Black
Ratings:	15-18 Amps, 600 V



M16 powerfast Tee Selection Matrix

			17	18	19	20
			Integral M16 Power Connector Drop	Cable Drop with M16 Power Connector	Cable Trunk and Cable Drop with M16 Power Connectors	Cable Drop
Pins	AWG	Current Rating	TC-ER		TC-ER	TC-ER
2	12	18 Amps	BSM/2BKM 22	BSM/2BKM 22-380-*	BSM/2BKM 22-380-*/*/*	BSM/BKM/T22-380-*
3	14	15 Amps	BSM/2BKM 34	BSM/2BKM 34-198-*	BSM/2BKM 34-198-*/*/*	BSM/BKM/T34-198-*
4	14	15 Amps	BSM/2BKM 44	BSM/2BKM 44-193-*	BSM/2BKM 44-193-*/*/*	BSM/BKM/T44-193-*

M16 powerfast h-Style Tee Selection Matrix

			21	22	23	24
			Integral M16 Power Connector Drop	Cable Drop with M16 Power Connector	Cable Trunk and Cable Drop with M16 Power Connectors	Cable Drop
Pins	AWG	Current Rating	TC-ER		TC-ER	TC-ER
2	12	18 Amps	SH-BSM/2BKM 22	SH-BSM/2BKM 22-380-*	SH-BSM/2BKM 22-380-*/*/*	SH-BSM/BKM/T22-380-*
3	14	15 Amps	SH-BSM/2BKM 34	SH-BSM/2BKM 34-198-*	SH-BSM/2BKM 34-198-*/*/*	SH-BSM/BKM/T34-198-*
4	14	15 Amps	SH-BSM/2BKM 44	SH-BSM/2BKM 44-193-*	SH-BSM/2BKM 44-193-*/*/*	SH-BSM/BKM/T44-193-*

			25	26	27	28
			Integral M16 Power Connector Drop	Cable Drop with M16 Power Connector	Cable Trunk and Cable Drop with M16 Power Connectors	Cable Drop
Pins	AWG	Current Rating	TC-ER		TC-ER	TC-ER
2	12	18 Amps	SH-BKM/BSM/BKM 22	SH-BKM/BSM/BKM 22-380-*	SH-BKM/BSM/BKM 22-380-*/*/*/*	SH-BKM/BSM/T22-380-*
3	14	15 Amps	SH-BKM/BSM/BKM 34	SH-BKM/BSM/BKM 34-198-*	SH-BKM/BSM/BKM 34-198-*/*/*/*	SH-BKM/BSM/T34-198-*
4	14	15 Amps	SH-BKM/BSM/BKM 44	SH-BKM/BSM/BKM 44-193-*	SH-BKM/BSM/BKM 44-193-*/*/*/*	SH-BKM/BSM/T44-193-*

See pages 33-38 for dimensional drawings.

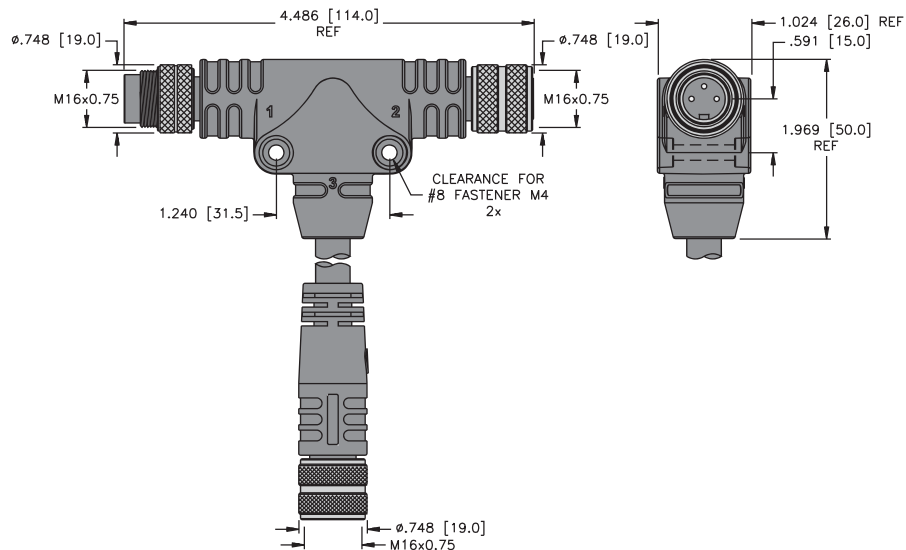
* Length in meters. Standard cable lengths are 2, 5 and 10 meters. Consult factory for other lengths.

Note: Standard coupling nut material is nickel plated brass. Consult Part Number Key (page 27) for nylon and 316 stainless steel options.

M16 powerfast Tee Dimensions

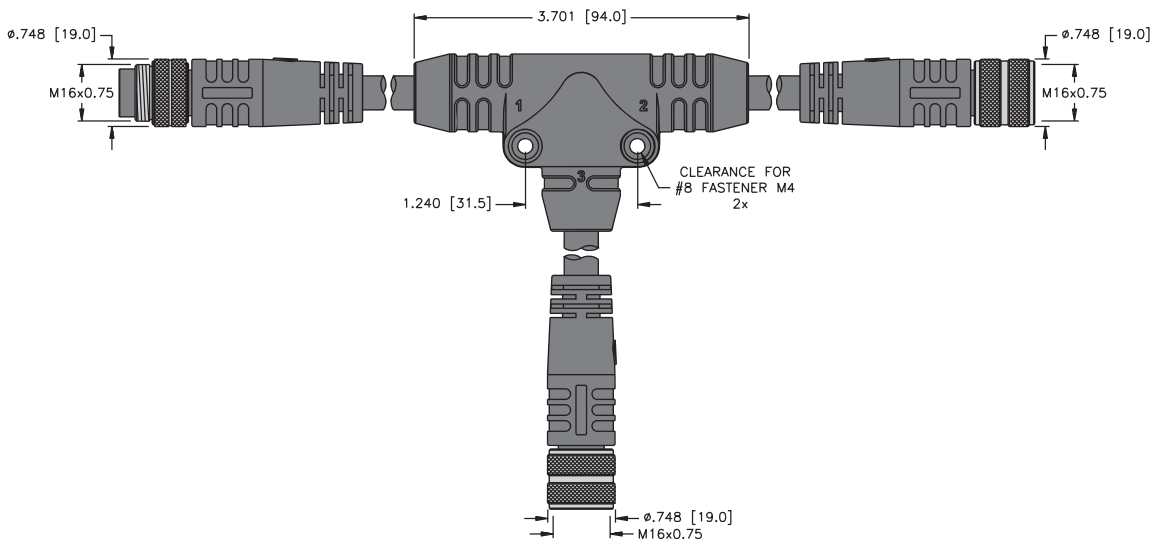
18

**Cable Drop with M16 Power Connector
BSM/2BKM..**



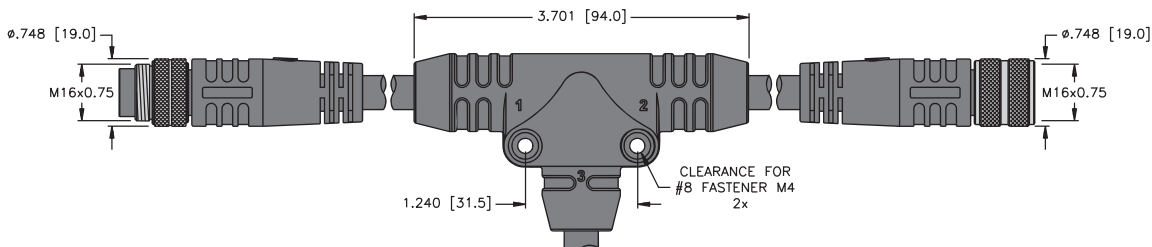
19

**Cable Trunk and Cable Drop with M16 Power Connectors
BSM/2BKM..**



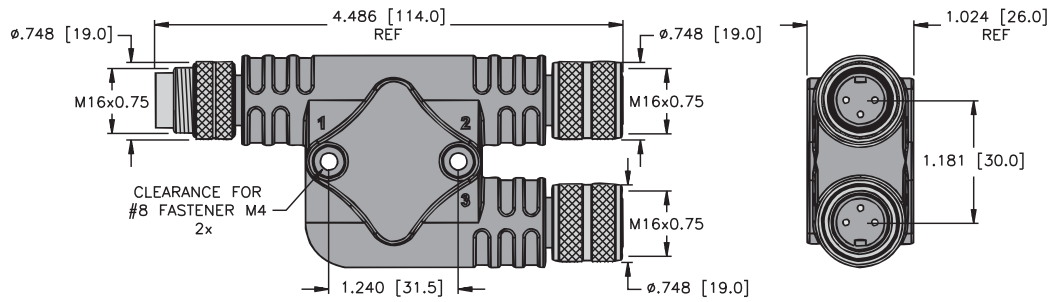
20

**Cable Drop
BSM/BKM/T..**

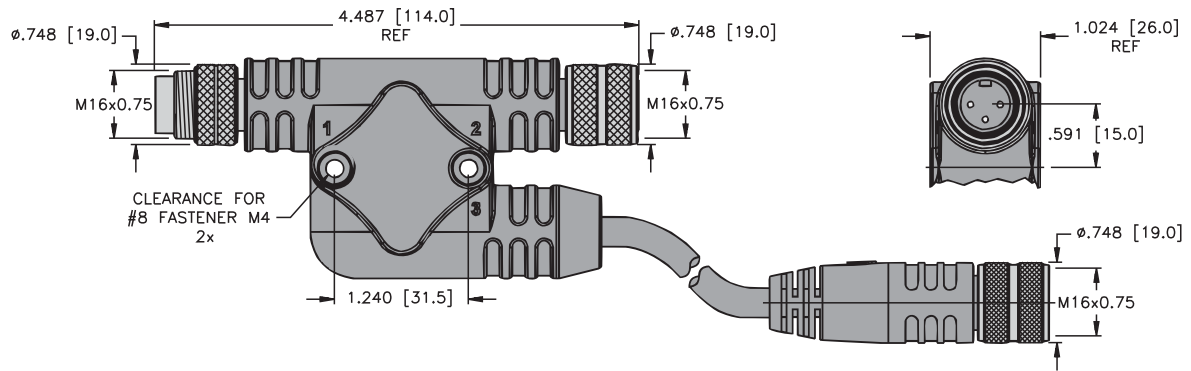


M16 powerfast h-Style Tee Dimensions

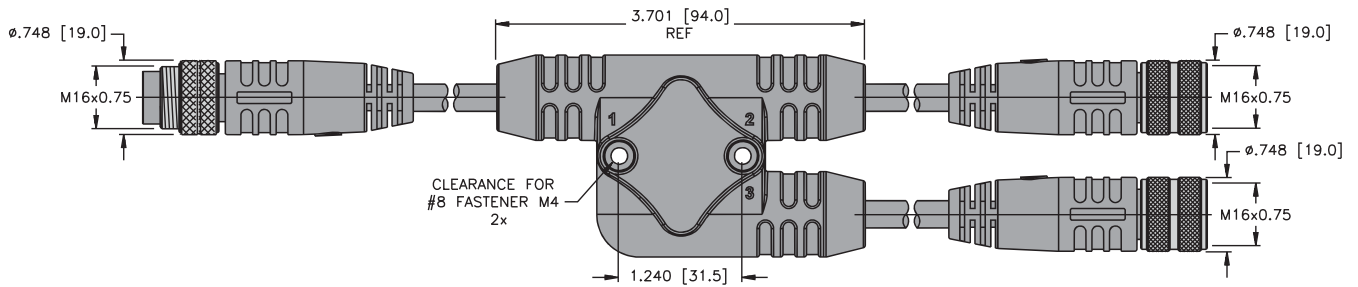
21 Integral M16 Power Connector Drop, Trunk #1 Male SH-BSM/2BKM..



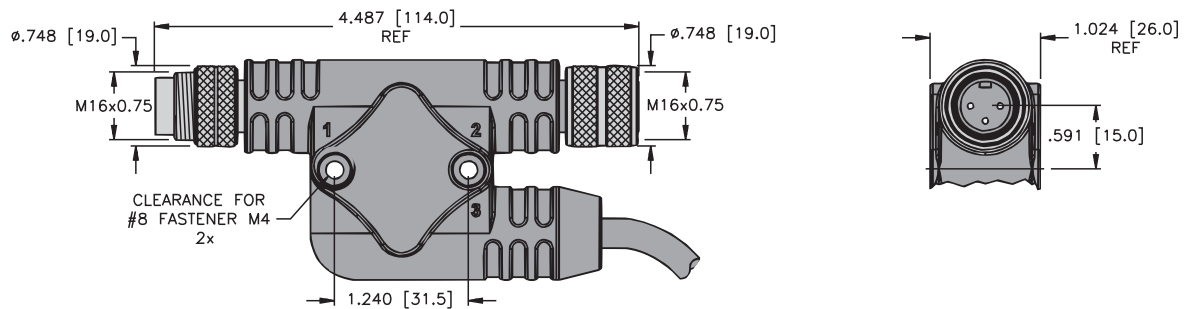
22 Cable Drop with M16 Power Connector, Trunk #1 Male SH-BSM/2BKM..



23 Cable Trunk and Cable Drop with M16 Power Connectors, Trunk #1 Male SH-BSM/2BKM..



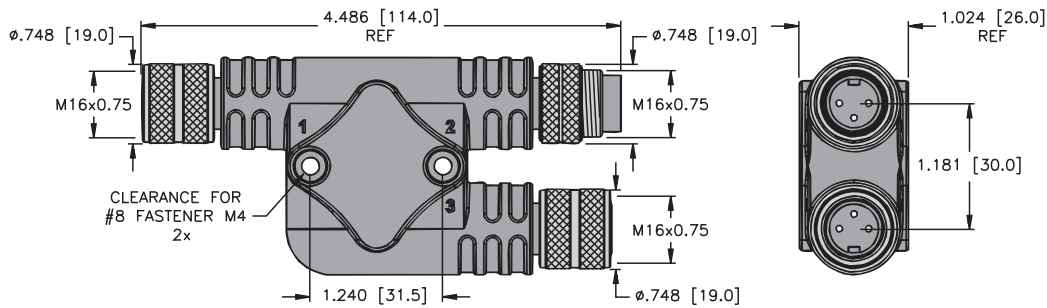
24 Cable Drop, Trunk #1 Male SH-BSM/BKM/T..



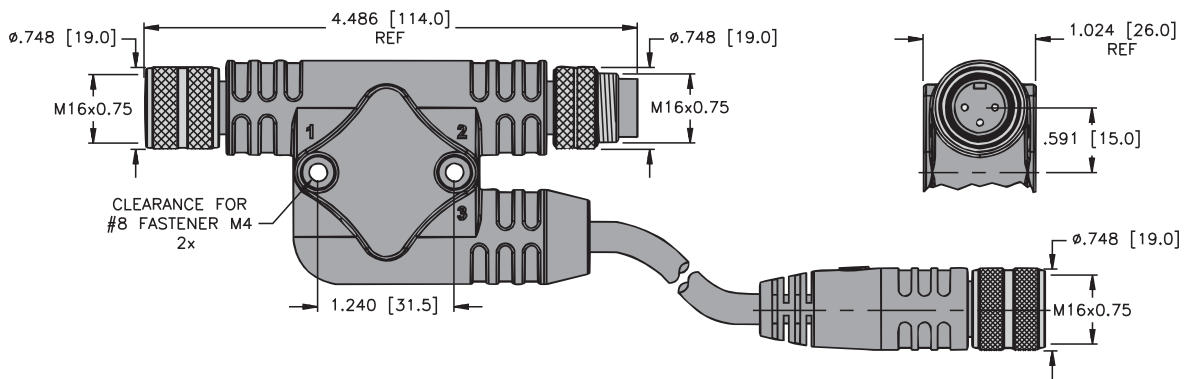
M16 powerfast

M16 powerfast h-Style Tee Dimensions

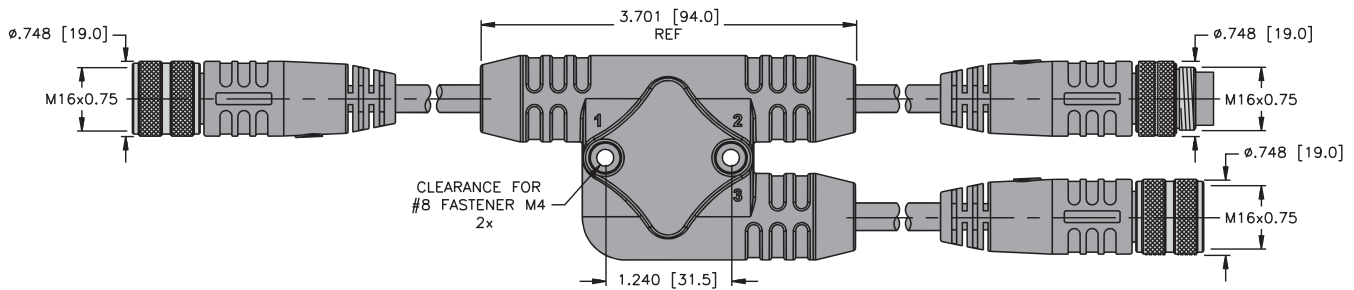
25 Integral M16 Power Connector Drop, Trunk #2 Male SH-BKM/BSM/BKM..



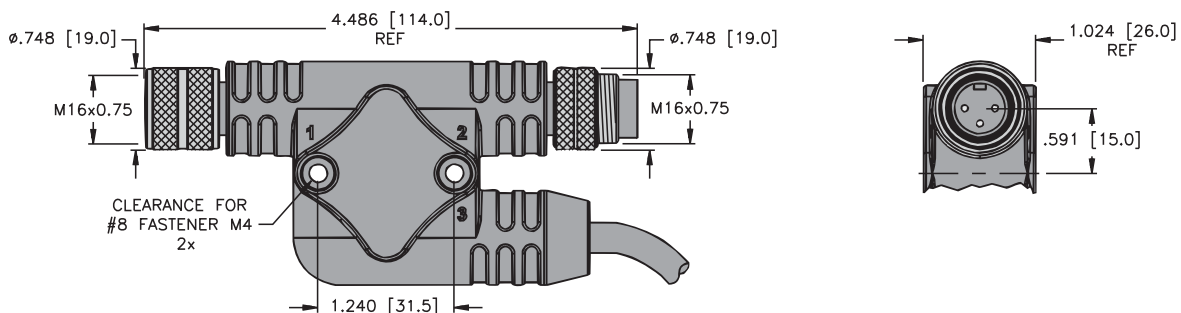
26 Cable Drop with M16 Power Connector, Trunk #2 Male SH-BKM/BSM/BKM..



27 Cable Trunk and Cable Drop with M16 Power Connectors, Trunk #2 Male SH-BKM/BSM/BKM..



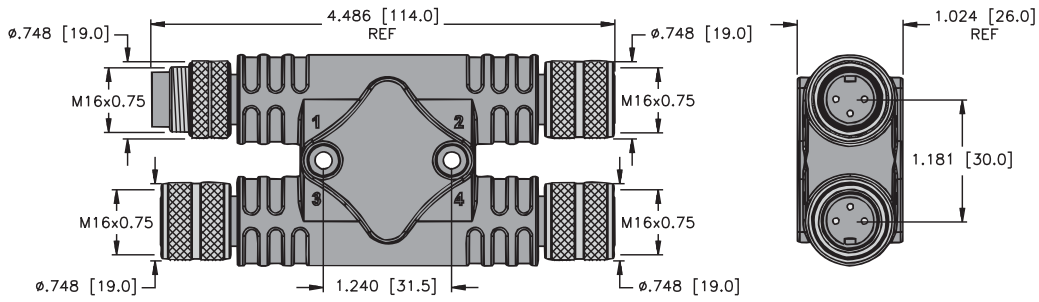
28 Cable Drop, Trunk #2 Male SH-BKM/BSM/T..



M16 powerfast H-Style Tee Dimensions

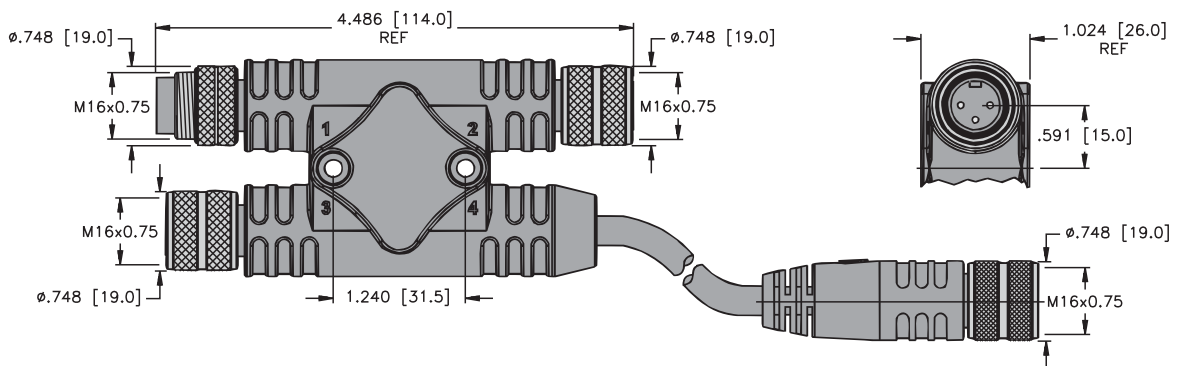
29

**Integral M16 Power Connector Drop, Trunk #1 Male
BH-BSM/3BKM..**



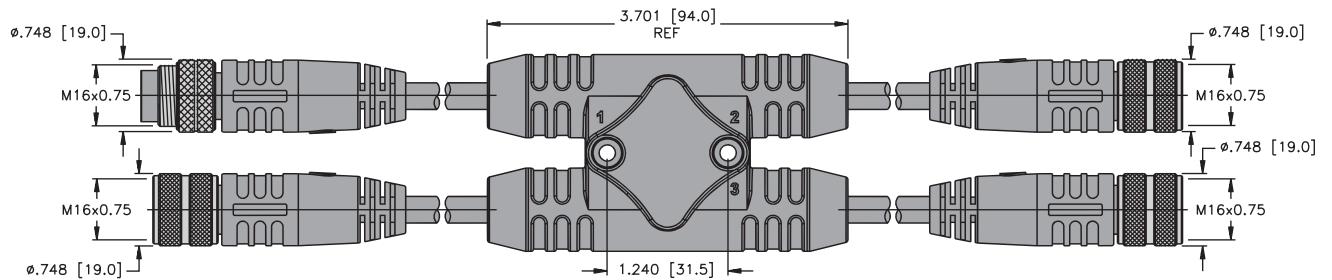
30

**Cable Drop with M16 Power Connector, Trunk #1 Male
BH-BSM/3BKM..**



31

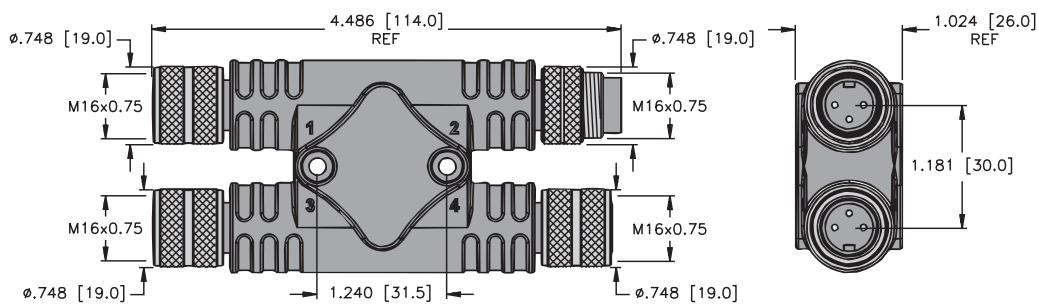
**Cable Trunk and Cable Drop with M16 Power Connectors, Trunk #1 Male
BH-BSM/3BKM..**



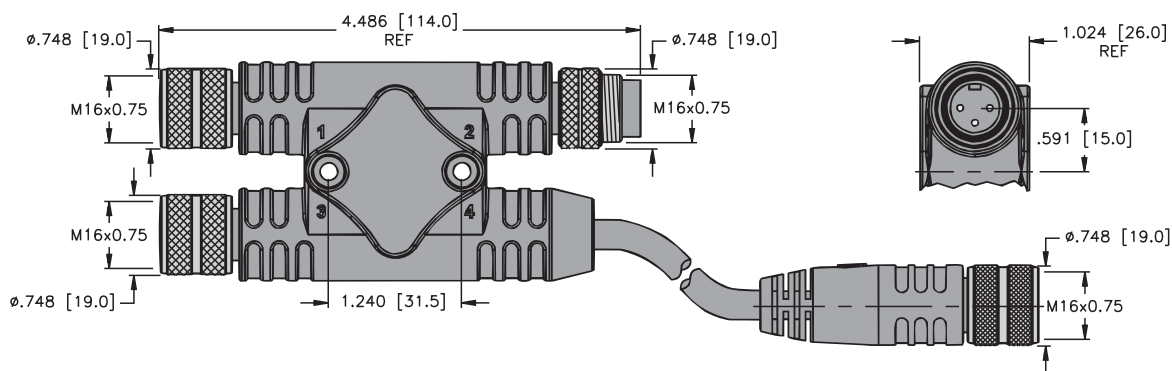
M16 powerfast

M16 powerfast H-Style Tee Dimensions

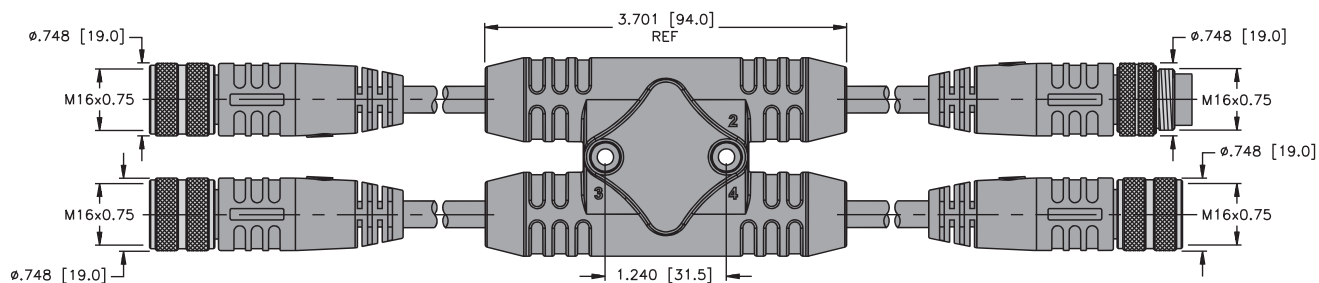
**32 Integral M16 Power Connector Drop, Trunk #2 Male
BH-BKM/BSM/2BKM..**



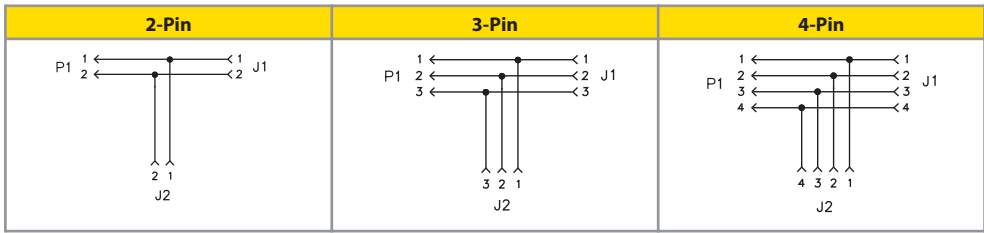
**33 Cable Drop with M16 Power Connector, Trunk #2 Male
BH-BKM/BSM/2BKM..**



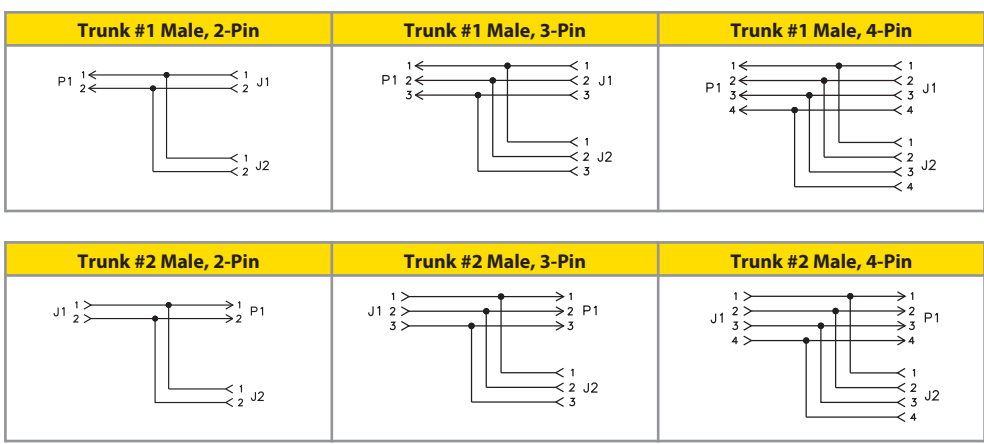
**34 Cable Trunk and Cable Drop with M16 Power Connectors, Trunk #2 Male
BH-BKM/BSM/2BKM..**



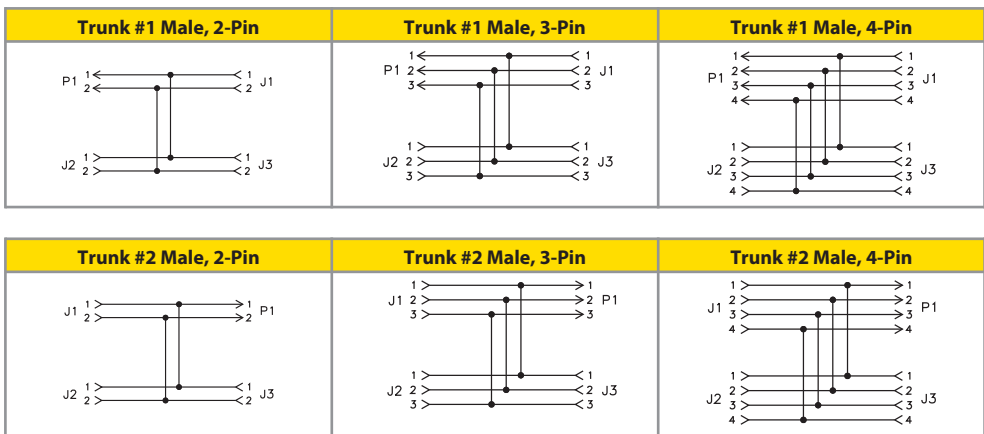
M16 powerfast Tee Wiring Diagrams



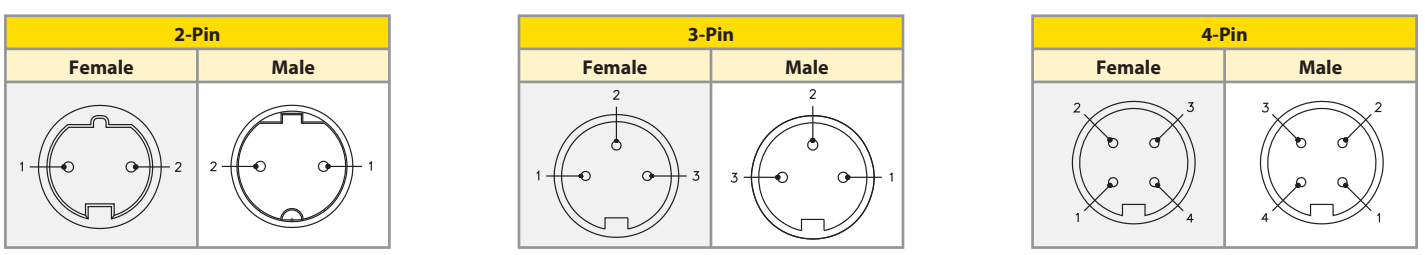
M16 powerfast h-Style Tee Wiring Diagrams



M16 powerfast H-Style Tee Wiring Diagrams



M16 powerfast Tee Pinouts



M16 powerfast

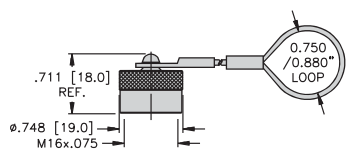
M16 powerfast Closure Cap Selection Matrix

		35	36	37	38	39	40
		Mates to male cordsets and receptacles	Mates to female cordsets and receptacles	Mates to male receptacles	Mates to female receptacles	Mates to male cordsets and receptacles	Mates to female cordsets and receptacles
Material	Thread	6" Loop Lanyard	6" Loop Lanyard	6" Lanyard with Eyelet	6" Lanyard with Eyelet	No Lanyard	No Lanyard
Nickel Plated Brass	M16	BKM-CC	BSM-CC	BKF-CC	BSK-CC	BKM-MC	BSM-MC

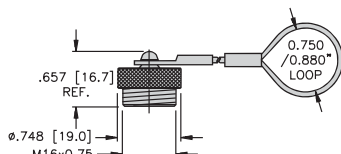
See table below for dimensional drawings.

M16 powerfast Closure Cap Dimensions

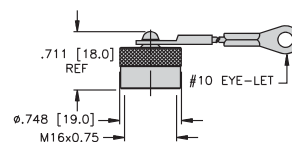
35 **BKM-CC**



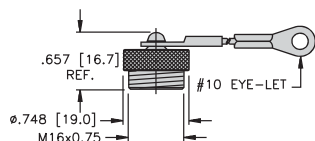
36 **BSM-CC**



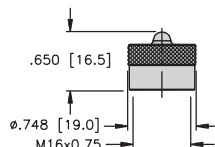
37 **BKF-CC**



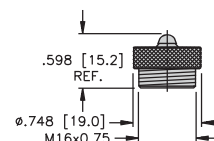
38 **BSF-CC**



39 **BKM-MC**



40 **BSM-MC**



M16 powerlok

Part Number	Application
LOCK-M16	Nylon locking guard for straight M16 powerfast connectors
LOCK-M16-TEE	



M16 powerlok Open



M16 powerlok Closed

Part Number Keys	46
Cordset and Receptacle Specifications	47
Cordset and Receptacle Selection Matrix	48
Cordset and Receptacle Dimensions	49
Cordset and Receptacle Pinouts	50

Features

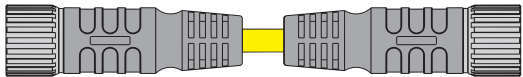
- Options for combination of power and signal wires in one cable
- Shielded versions available
- 6 to 9-pin
- 12 to 14 AWG conductors for power, 18 AWG conductors for signal
- Up to 30 Amp, 600 Volt rated for power
- Up to 8 Amp, 300 Volt rated for signal
- AWM or tray rated-exposed run PVC cable
- IEC IP67 protection

M23 powerfast Cordset Part Number Key

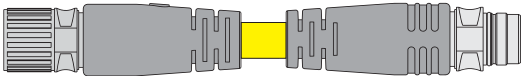
Part Number Keys are to assist in IDENTIFICATION ONLY. Consult factory for catalog items not identified.

C	K	M	64-078	-	*	/S..
M23 (23 mm) powerfast Cordset			Varieties			
Gender			(blank) = PVC jacket			
K = female contact holder, female threads			/S90 = PUR jacket			
S = male contact holder, female threads			Length in Meters			
SS = male contact holder, male threads			Number of Wires / AWG / Color Codes			
Configuration			64-078 = 6x14 AWG WH, RD, GN, OG, BK, BU			
M = straight			74-079 = 7x14 AWG WH/BK, BK, WH, RD, OG, BU, GN			
WM = right angle			94-080 = 3x14 & 6X18 AWG RD, WH, WH/BK, BU, OG, BK, GN/BK, GN, RD/BK			
(blank) = straight assembled connector			622-059 = 6x12 AWG BU, RD, GN, BN, OG, YE			
Coupling Nut Material / Shielding			822-287 = 4x12 & 4X18 AWG BU, GN, WH, BK, OG, RD, WH/BK, RD/BK			
(blank) = nickel plated brass			622-286 = 6x12 AWG BU, RD, GN, BN, OG, YE			
V = stainless steel			822-288 = 4x12 & 4X18 AWG BU, GN, WH, BK, OG, RD, WH/BK, RD/BK			
S = shielded			Insertion Point of Extension Cable 2nd Prefix*			
* Male connector listed 1st, female connector 2nd						
Example: CSM CKM 64-078-1						

Extension Examples:



C **K** **M** **C** **K** **M** **74-079** - ***** **/S..**



C **SS** **M** **C** **K** **M** **622-059** - ***** **/S..**

M23 powerfast Receptacle Part Number Key

C	K	F	64-6	-	*
M23 (23 mm) powerfast Receptacle			Length in Meters		
Gender			Number of Wires / AWG / Color Codes		
K = female contact holder, male threads			64-6 = 6x14 AWG WH, RD, GN, OG, BK, BU		
S = male contact holder, male threads			74-7 = 7x14 AWG WH/BK, BK, WH, RD, OG, BU, GN		
Designator for Receptacle			94-9 = 3x14 & 6X18 AWG RD, WH, WH/BK, BU, OG, BK, GN/BK, GN, RD/BK		
(blank) = front mount			622-6 = 6x12 AWG BU, RD, GN, BN, OG, YE		
D = rear mount			822-8 = 4x12 & 4X18 AWG BU, GN, WH, BK, OG, RD, WH/BK, RD/BK		
F = flange			Mounting Style		
MF = flange, rotating coupling nut			(blank) = front mount		
L = front mount, long threads			D = rear mount		

M23 powerfast Single Keyway Cordset Specifications

Mechanical		Electrical	
Mold material/Color:	PUR/Black	Contact material:	Brass with gold plating
Contact carrier material:	Nylon or PBT	Cable jacket material/Color:	PVC/Yellow
Coupling nut material:		Ratings:	
Standard:	Nickel plated brass	Power:	20 Amps, 300 V
Additional options:	316 stainless steel	Signal:	8 Amps, 150 V
Environmental Protection:	IEC IP67		
Temperature Rating:	-40 to +105°C (-40 to +221°F)		

M23 powerfast 3-Key Cordset Specifications

Mechanical		Electrical	
Mold material/Color:	PUR/Black	Contact material:	Brass with gold plating
Contact carrier material:	Nylon or PBT	Cable jacket material/Color:	TC-ER PVC/Yellow
Coupling nut material:		Ratings:	
Standard:	Nickel plated brass	Power:	30 Amps, 600 V
Environmental Protection:	IEC IP67	Signal:	9 Amps, 300 V
Temperature Rating:	-40 to +90°C (-40 to +194°F)		

M23 powerfast Single Keyway Receptacle Specifications

Mechanical		Electrical	
Contact carrier material:	Nylon or PBT	Contact material:	Brass with gold plating
Housing material/Plating:		Conductor insulation:	PVC
Standard:	Nickel plated brass	Ratings:	
Additional options:	316 stainless steel	Power:	20 Amps, 300 V
Environmental Protection:	IEC IP67	Signal:	8 Amps, 150 V
Temperature Rating:	-30 to +90°C (-40 to +194°F)		

M23 powerfast 3-Key Receptacle Specifications

Mechanical		Electrical	
Contact carrier material:	Nylon or PBT	Contact material:	Brass with gold plating
Housing material/Plating:		Conductor insulation:	PVC
Standard:	Nickel plated brass	Ratings:	
Environmental Protection:	IEC IP67	Power:	30 Amps, 600 V
Temperature Rating:	-30 to +80°C (-40 to +176°F)	Signal:	9 Amps, 300 V

M23 powerfast Single Keyway Cordset Selection Matrix

			1	1	2
			Straight Female	Straight Male	Straight Male
Pins	AWG	Current Rating	Single Keyway	Single Keyway	Single Keyway
6	14	20 Amps	CKM 64-078-*	CSM 64-078-*	CSSM 64-078-*
7	14	20 Amps	CKM 74-079-*	CSM 74-079-*	CSSM 74-079-*
9	3x14; 6x18	8 Amps (1-3,5,7,9), 20 Amps (4,6,8)	CKM 94-080-*	CSM 94-080-*	CSSM 94-080-*

M23 powerfast 3-Key Cordset Selection Matrix

			3	4	5	6
			Straight Female	Straight Male	Right Angle Female	Right Angle Male
Pins	AWG	Current Rating	3-Key	3-Key	3-Key	3-Key
6	12	30 Amps	CKM 622-059-*	CSSM 622-059-*	CKWM 622-059-*	CSSWM 622-059-*
8	4x12; 4x18	9 Amps (A-D), 30 Amps (1-4)	CKM 822-287-*	CSSM 822-287-*	CKWM 822-287-*	CSSWM 822-287-*
Pins	AWG	Current Rating	Shielded 3-Key	Shielded 3-Key	Shielded 3-Key	Shielded 3-Key
6	12	30 Amps	CKMS 622-286-*	CSSMS 622-286-*	CKWMS 622-286-*	CSSWMS 622-286-*
8	4x12; 4x18	9 Amps (A-D), 30 Amps (1-4)	CKMS 822-288-*	CSSMS 822-288-*	CKWMS 822-288-*	CSSWMS 822-288-*

M23 powerfast Single Keyway Receptacle Selection Matrix

Front Mount			7	7	8	8
			Female	Male	Female	Male
Pins	AWG	Current Rating	M20 Mount, Standard Thread	M20 Mounting, Standard Thread	M20 Mounting, Long Thread	M20 Mounting, Long Thread
6	14	20 Amps	CKF 64-6-*	CSF 64-6-*	CKFL 64-6-*	CSFL 64-6-*
7	14	20 Amps	CKF 74-7-*	CSF 74-7-*	CKFL 74-7-*	CSFL 74-7-*
9	3x14; 6x18	8 Amps (1-3,5,7,9), 20 Amps (4,6,8)	CKF 94-9-*	CSF 94-9-*	CKFL 94-9-*	CSFL 94-9-*

M23 powerfast 3-Key Receptacle Selection Matrix

Front Mount			9	10	11
			Female	Male	Male
Pins	AWG	Current Rating	Flange Mount	Flange Mount	M20 Mounting Thread
6	12	30 Amps	CKFMF 622-6-*	CSFF 622-6-*	CSF 622-6-*
8	4x12; 4x18	9 Amps (A-D), 30 Amps (1-4)	CKFMF 822-8-*	CSFF 822-8-*	CSF 822-8-*

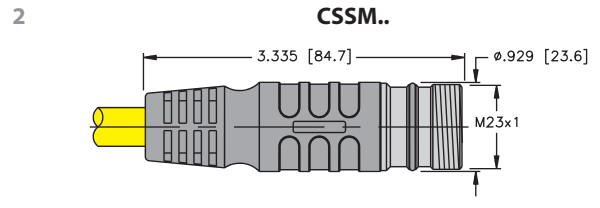
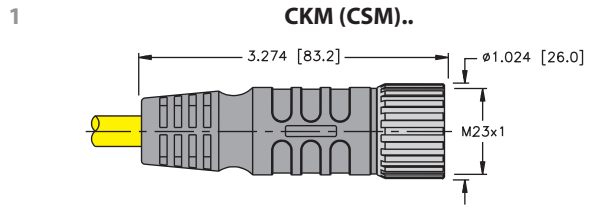
See pages 45-46 for dimensional drawings.

* Length in meters. Standard cable lengths are 2, 5 and 10 meters. Standard lead length is 0.5 meters. Consult factory for other lengths.

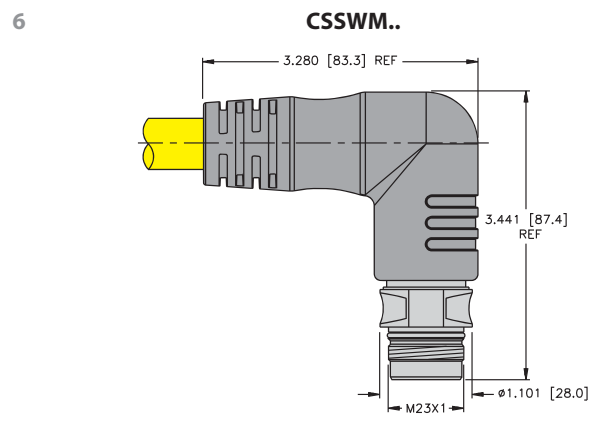
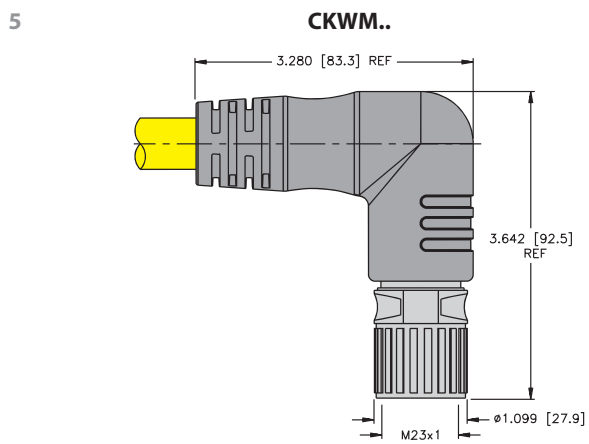
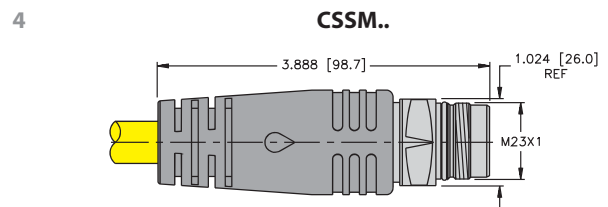
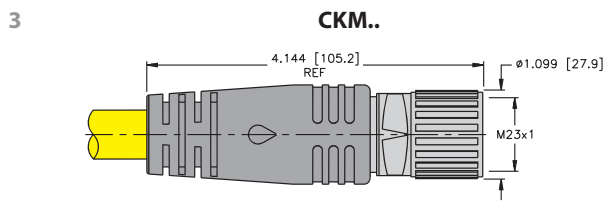
Note: Extension cables are available, please consult Part Number Key (page 42).

Standard coupling nut and housing material is nickel plated brass. Consult Part Number Key (page 42) for 316 stainless steel options.

M23 powerfast Single Keyway Cordset Dimensions

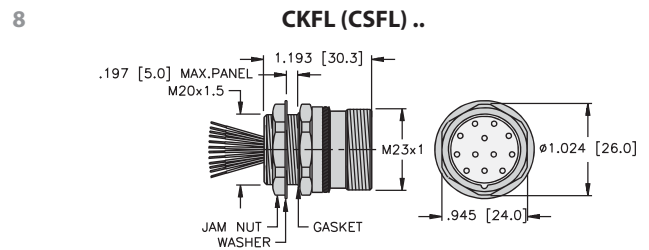
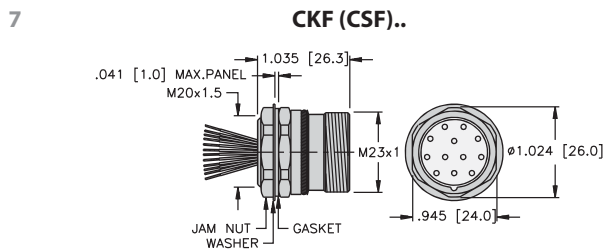


M23 powerfast 3-Key Cordset Dimensions

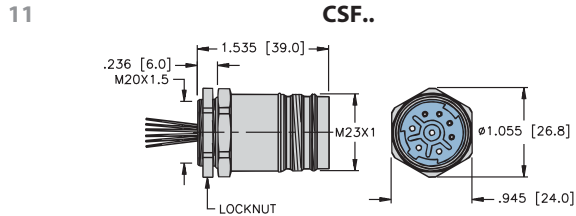
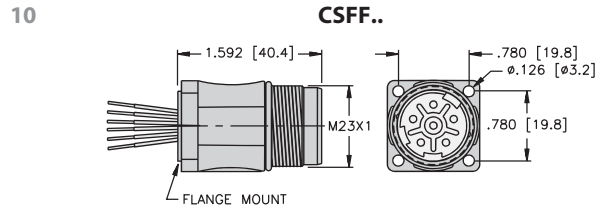
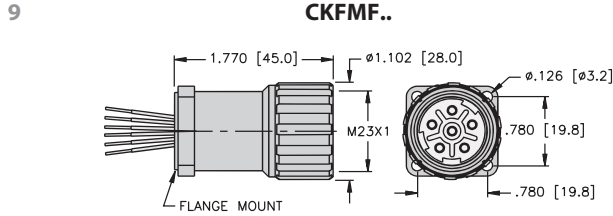


M23 powerfast

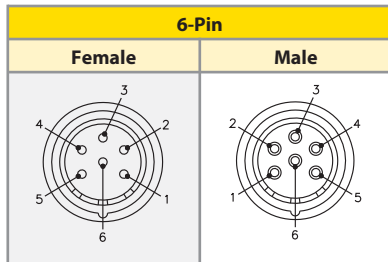
M23 powerfast Single Keyway Receptacle Dimensions



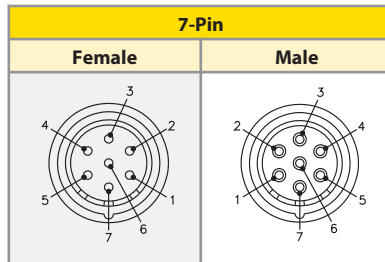
M23 powerfast 3-Key Receptacle Dimensions



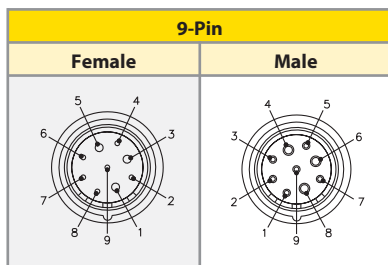
M23 powerfast Single Key Cordset and Receptacle Pinouts



- Pinouts**
1. WH
 2. RD
 3. GN
 4. OG
 5. BK
 6. BU

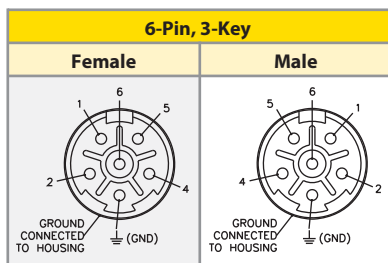


- Pinouts**
1. WH/BK
 2. BK
 3. WH
 4. RD
 5. OG
 6. BU
 7. GN

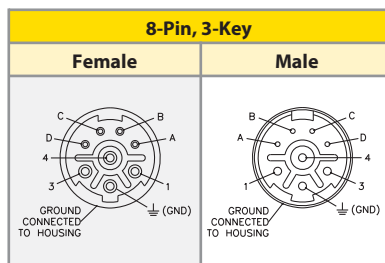


- Pinouts**
1. RD
 2. WH
 3. WH/BK
 4. BU
 5. OG
 6. BK
 7. GN/BK
 8. GN
 9. RD/BK

M23 powerfast 3-Key Cordset and Receptacle Pinouts



- Pinouts**
1. BU
 2. RD
 - ⊥ GN
 4. BN
 5. OG
 6. YE



- Pinouts**
1. BU
 - ⊥ GN
 3. WH
 4. BK
 - A. OG
 - B. RD
 - C. WH/BK
 - D. RD/BK

M40 powerfast™ CONNECTIVITY

Part Number Keys	52
Cordset and Receptacle Specifications	53
Cordset and Receptacle Selection Matrix	53
Cordset and Receptacle Dimensions	54
Cordset and Receptacle Pinouts	54
h-Style Tee, Jumper Plug and Extension Specifications	55
h-Style Tee, Jumper Plug and Extension Matrix	56
h-Style Tee, Jumper Plug and Extension Dimensions	57
h-Style Tee, Jumper Plug and Extension Pinouts	57

Features

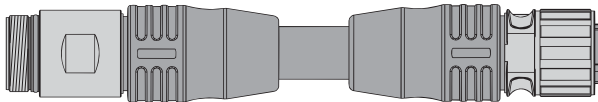
- Options for combination of power & signal wires in one cable
- 8 AWG conductors for power
- 14 AWG and 18 AWG conductor options for signal
- Up to 35 Amp, 250 and 600 volt rated

M40 powerfast Cordset Part Number Key

Part Number Keys are to assist in IDENTIFICATION ONLY. Consult factory for catalog items not identified.

H	S	M	4	8	0	0	-	1279	-	*	/S..	
M40 powerfast Cordset			Varieties									
Gender			Length in Meters									
K = female connector, female threads S = male connector, male threads			/S... = consult factory /CS... = consult factory									
Shielding			Color Codes / Cable Type									
S = shield tied to coupling nut			1279 = WH, BK, RD, GN, TC-ER TPE Black 1313 = WH, BK, RD, GN, TC-ER TPE Yellow 1314 = WH, BK, RD, GN, BK, WH, BN, BU, TC-ER TPE Black 1884 = BK"V", BK"U", BK"W". BU/YE"+", BU/YE"-", GN/YE, TC-ER/STOOW, PVC Black									
Housing Material			Gauge of Control Wires									
(blank) = nickel plated brass			0 = no connection or 20 AWG wire to control wins 4 = 14 AWG Wire to control pins 6 = 16 AWG wire to control pins 8 = 18 AWG wire to control pins									
Insertion Point for 2nd Connector*			Number of Control Wires									
* Male connector listed 1st, female connector 2nd Example: HSM HKM 4800-1279-5			0 = no connection to control pins 2 = 2 control pins connected 4 = 4 control pins connected									
Number of Power Wires			Gauge of Power Wires									
4 = 4 wires connected to power pins 3 = 3 wires connected to power pins			8 = 8 AWG wire to power pins 0 = 10 AWG wire to power pins									

Extension Example:



H
S
M

H
K
M

4
8
0
0

-
1279

-
*
/S..

M40 powerfast Receptacle Part Number Key

H	S	F	F	4	8	0	0	-	*	/S..
M40 powerfast Receptacle				Varieties						
Gender				Length in Meters						
K = female connector, female threads S = male connector, male threads				/S... = consult factory /CS... = consult factory						
Designator for Receptacles				Gauge of Control Wires						
F = flange MF = flange, rotating coupling nut				0 = no connection or 20 AWG wire to control pins 4 = 14 AWG wire to control pins 6 = 16 AWG wire to control pins 8 = 18 AWG wire to control pins						
Mounting Style				Number of Control Wires						
				0 = no connection to control pins 2 = 2 control pins connected 4 = 4 control pins connected						
Number of Power Wires				Gauge of Power Wires						
4 = 4 wires connected to power pins 3 = 3 wires connected to power pins				8 = 8 AWG wire to power pins 0 = 10 AWG wire to power pins						



M40 powerfast Cordset Specifications

Mechanical		Electrical	
Mold material/Color:	Polyamide/Black	Contact material:	Brass or copper with gold plating
Contact carrier material:	Nylon	Cable jacket material:	TC-ER PVC
Coupling Nut material:	Nickel plated brass	Ratings:	
Environmental Protection:	IEC IP67	Power:	35 Amps, 600 VAC
Temperature Rating:	-40 to +90°C (-40 to +194°F)	Signal:	4-9 Amps, 250 VAC



M40 powerfast Receptacle Specifications

Mechanical		Electrical	
Contact carrier material:	Nylon	Contact material:	Brass or copper with gold plating
Housing material/Plating:	Nickel plated brass	Conductor insulation:	PVC
Environmental protection:	IEC IP67	Ratings:	
Temperature rating:	-40 to +105°C (-40 to +221°F)	Power:	35 Amps, 600 VAC
		Signal:	4-9 Amps, 250 VAC

M40 powerfast Cordset Selection Matrix

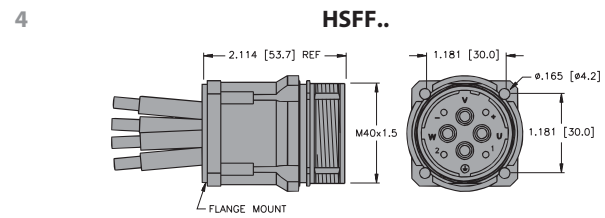
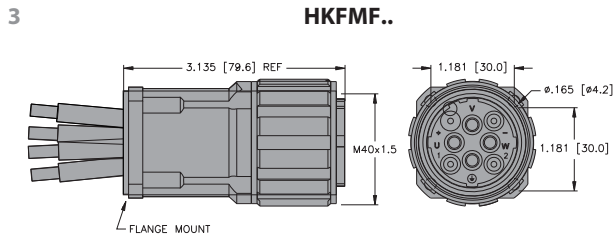
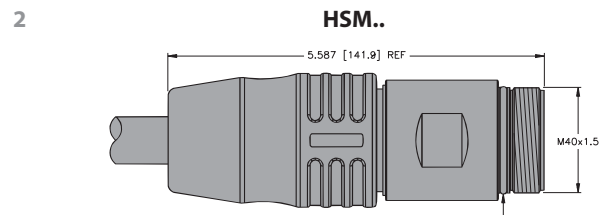
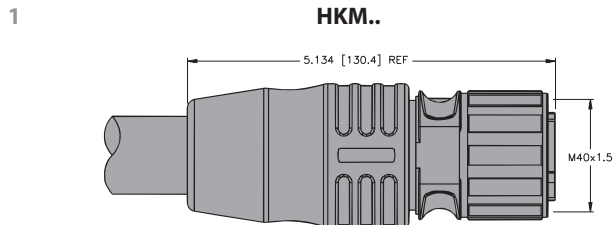
			1 	2 
Pins	AWG	Current Rating	Straight Female	Straight Male
4	8	35 Amps	HKM 4800-1279-*	HSM 4800-1279-*
6	4x8; 2x14	35 Amps (8 AWG), 9 Amps (14 AWG)	HKM 4824-1884-*	HSM 4824-1884-*
8	4x8; 4x18	35 Amps (8 AWG), 4 Amps (18 AWG)	HKM 4848-1314-*	HSM 4848-1314-*

M40 powerfast Receptacle Selection Matrix

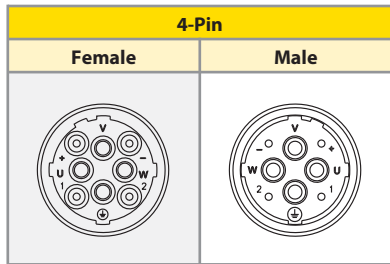
Front Mount			3 	4 
			Female	Male
Pins	AWG	Current Rating	Flange Mount	Flange Mount
4	8	35 Amps	HKFMF 4800-*	HSFF 4800-*
6	4x8; 2x14	35 Amps (8 AWG), 9 Amps (14 Amps)	HKFMF 4824-*	HSFF 4824-*
8	4x8; 4x18	35 Amps (8 AWG), 4 Amps (18 Amps)	HKFMF 4848-*	HSFF 4848-*

M40 powerfast

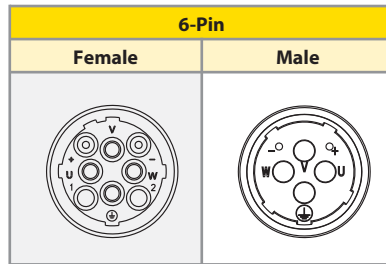
M40 powerfast Cordset and Receptacle Dimensions



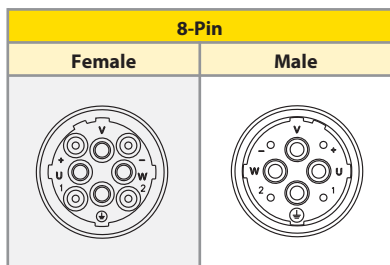
M40 powerfast Cordset and Receptacle Pinouts



Pinouts
V. WH
U. BK
W. RD
⊥ GN
+ N/C
- N/C
1. N/C
2. N/C



Pinouts
V. Black V
U. Black U
W. Black W
⊥ GN/YE
+ BU/YE "+"
- BU/YE "-"



Pinouts
V. WH
U. BK
W. RD
⊥ GN
+ BK
- BU
1. WH
2. BN

M40 powerfast h-Style Tee Specifications

Mechanical		Electrical	
Mold material/Color:	Polyamide/Black	Contact material:	Brass or copper with gold plating
Contact carrier material:	Nylon	Ratings:	
Coupling nut material:	Nickel plated brass	Power:	35 Amps, 600 VAC
Environmental protection:	IEC IP67	Signal:	9 Amps, 250 VAC
Temperature rating:	-40 to +90°C (-40 to +194°F)		

M40 powerfast Jumper Plug Specifications

Mechanical		Electrical	
Mold material/Color:	Polyamide/Black	Contact material:	Brass or copper with gold plating
Contact carrier material:	Nylon	Ratings:	
Coupling nut material:	Nickel plated brass	Power:	35 Amps, 600 VAC
Environmental protection:	IEC IP67	Signal:	9 Amps, 250 VAC
Temperature rating:	-40 to +90°C (-40 to +194°F)		

M40 powerfast to Harting Connector Specifications

Mechanical		Electrical	
Mold material/Color:	M40 connector: Polyamide/Black	Contact material:	M40 connector: Brass or copper with gold plating
Hood material/Color:	Harting connector: Zinc die-cast/Black (Harting)		Harting connector: Copper alloy with gold over silver plating
Contact carrier material:		Cable jacket material:	
	M40 connector: Nylon	Standard:	TC-ER STOOW PVC
	Harting connector: Polycarbonate	Additional options:	TC-ER PVC (/S4000 version)
Coupling nut material:		Ratings:	20 Amps, 600 VAC
	M40 connector: Nickel plated brass		
Environmental protection:			
	M40 connector: IEC IP67		
	Harting connector: IEC IP65		
Temperature rating:	-40 to +90°C (-40 to +194°F)		

M40 powerfast

M40 powerfast h-Style Tee Selection Matrix



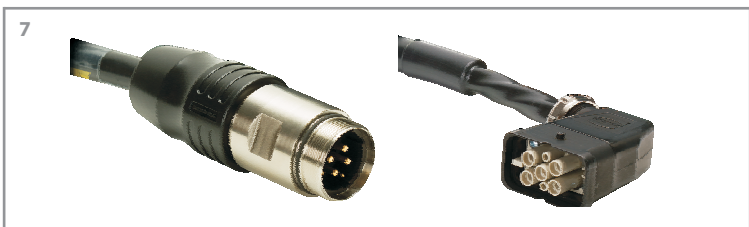
Pins	Drop AWG	Trunk Current Rating	Drop Current Rating	Integral M40 Connector Drop
6	4x8; 2x14	35 Amps (8 AWG), 6 Amps (14 AWG)	35 Amps (8 AWG), 9 Amps (14 AWG)	SH-HSM/2 HKM 4824

M40 powerfast Jumper Plug Selection Matrix



Pins	AWG	Current Rating	Male
6	4x8; 2x14	35 Amps (8 AWG), 9 Amps (14 AWG)	HSM 4824/J+ -

M40 powerfast to Harting Connector Selection Matrix



Pins	AWG	Current Rating	TC-ER	TC-ER STOOW
6	4x12; 2x14	20 Amps (12 AWG), 9 Amps (14 AWG)	HSM 40 HANQW4/2-1850-*/S4000	HSM 40 HANQW4/2-1668-*



• 800-696-6969 Fax: (763) 531-0708 - TUC

U S M 2 H K

Notes

Index

BH-BKM/BSM/2BKM 22	37	BSM/2BKM 44-193-*	36	GKDM 40-*M/S4000	13	GSDM/GKDM/T30-*S4000	17
BH-BKM/BSM/2BKM 22-380-*	37	BSM/2BKM 44-193-*/*/*/	36	GKDM 40-0	14	GSDM/GKDM/T32-*	17
BH-BKM/BSM/2BKM 22-380-*/*/*/	37	BSM/BKM/T22-380-*	36	GKDM 42-*M	13	GSDM/GKDM/T32-*S4000	17
BH-BKM/BSM/2BKM 34	37	BSM/BKM/T34-198-*	36	GKDM 42-*M/S4000	13	GSDM/GKDM/T34-*	17
BH-BKM/BSM/2BKM 34-198-*	37	BSM/BKM/T44-193-*	36	GKDM 44-*M	13	GSDM/GKDM/T34-*S4000	17
BH-BKM/BSM/2BKM 34-198-*/*/*/	37	BSM-CC	44	GKDM 44-*M/S4000	13	GSDM/GKDM/T40-*	17
BH-BKM/BSM/2BKM 44	37	BSM-MC	44	GKDM-CC	26	GSDM/GKDM/T40-*S4000	17
BH-BKM/BSM/2BKM 44-193-*	37	BSMS 22-1759-*	32	GKDM-MC	26	GSDM/GKDM/T42-*	17
BH-BKM/BSM/2BKM 44-193-*/*/*/	37	BSMS 34-1364-*	32	GKDWM 30-*M	13	GSDM/GKDM/T42-*S4000	17
BH-BSM/3BKM 22	37	BSMS 44-1363-*	32	GKDWM 30-*M/S4000	13	GSDM/GKDM/T44-*	17
BH-BSM/3BKM 22-380-*	37	BSM 64-6-*	48	GKDWM 32-*M	13	GSDM/GKDM/T44-*S4000	17
BH-BSM/3BKM 22-380-*/*/*/	37	CKF 74-7-*	48	GKDWM 32-*M/S4000	13	GSDM-CC	26
BH-BSM/3BKM 34	37	CKF 94-9-*	48	GKDWM 34-*M	13	GSDM-MC	26
BH-BSM/3BKM 34-198-*	37	CKFL 64-6-*	48	GKDWM 34-*M/S4000	13	GSDWM 30-*M	13
BH-BSM/3BKM 34-198-*/*/*/	37	CKFL 74-7-*	48	GKDWM 40-*M	13	GSDWM 30-*M/S4000	13
BH-BSM/3BKM 44	37	CKFL 94-9-*	48	GKDWM 40-*M/S4000	13	GSDWM 32-*M	13
BH-BSM/3BKM 44-193-*	37	CKFMF 622-6-*	48	GKDWM 42-*M	13	GSDWM 32-*M/S4000	13
BH-BSM/3BKM 44-193-*/*/*/	37	CKFMF 822-8-*	48	GKDWM 42-*M/S4000	13	GSDWM 34-*M	13
BK 22-0	33	CKM 622-059-*	48	GKDWM 44-*M	13	GSDWM 34-*M/S4000	13
BK 34-0	33	CKM 64-078-*	48	GKDWM 44-*M/S4000	13	GSDWM 40-*M	13
BK 44-0	33	CKM 74-079-*	48	GSDF 30-*M/14.5/NPT	14	GSDWM 40-*M/S4000	13
BKF 22-*/14.5/NPT	33	CKM 822-287-*	48	GSDF 30-*M/14.75/NPT	14	GSDWM 42-*M	13
BKF 22-*/18.375/NPT	33	CKM 94-080-*	48	GSDF 32-*M/14.5/NPT	14	GSDWM 42-*M/S4000	13
BKF 22-*M18	33	CKMS 622-059-*	48	GSDF 32-*M/14.75/NPT	14	GSDWM 44-*M	13
BKF 22-*M20	33	CKMS 822-287-*	48	GSDF 34-*M/14.5/NPT	14	GSDWM 44-*M/S4000	13
BKF 34-*/14.5/NPT	33	CKWM 622-059-*	48	GSDF 34-*M/14.75/NPT	14	HK 4848-314-*	53
BKF 34-*/18.375/NPT	33	CKWM 822-287-*	48	GSDF 40-*M/14.5/NPT	14	HKFMF 4800-*	53
BKF 34-*M18	33	CKWMS 622-059-*	48	GSDF 40-*M/14.75/NPT	14	HKFMF 4848-*	53
BKF 34-*M20	33	CSF 622-6-*	48	GSDF 42-*M/14.5/NPT	14	HKM 4800-1279-*	53
BKF 44-*/14.5/NPT	33	CSF 64-6-*	48	GSDF 42-*M/14.75/NPT	14	HKM 4824-1884-*	53
BKF 44-*/18.375/NPT	33	CSF 74-7-*	48	GSDF 44-*M/14.5/NPT	14	HKM 4848-1314-*	53
BKF 44-*M18	33	CSF 822-8-*	48	GSDF 44-*M/14.75/NPT	14	HSFF 4800-*	53
BKF 44-*M20	33	CSF 94-9-*	48	GSDM 30-*M	13	HSFF 4848-*	53
BKF-CC	44	CSFF 622-6-*	48	GSDM 30-*M/S4000	13	HSM 40 HANQW4/2-1668-*	56
BKFD 22-*M18	33	CSFF 822-8-*	48	GSDM 30-0	14	HSM 40 HANQW4/2-1850-*/S4000	56
BKFD 34-*M18	33	CSFL 64-6-*	48	GSDM 32-*M	13	HSM 4800-1279-*	53
BKFD 44-*M18	33	CSFL 74-7-*	48	GSDM 32-*M/S4000	13	HSM 4824/J+	56
BKM 22-380-*	32	CSFL 94-9-*	48	GSDM 32-*M/S4000	13	HSM 4824-1884-*	53
BKM 34-198-*	32	CSM 64-078-*	48	GSDM 34-*M	13	HSM 4848-1314-*	53
BKM 44-193-*	32	CSM 74-079-*	48	GSDM 34-*M/S4000	13	LOCK-A POWER	8
BKM-CC	44	CSM 94-080-*	48	GSDM 40-*M	13	LOCK-D POWER	27
BKM-MC	44	CSSM 622-059-*	48	GSDM 40-*M/S4000	13	RKF 34-*M/NPT	5
BKMS 22-1759-*	32	CSSM 64-078-*	48	GSDM 40-0	14	RKF 44-*M/NPT	5
BKMS 34-1364-*	32	CSSM 74-079-*	48	GSDM 42-*M	13	RKF-CC	7
BKMS 44-1363-*	32	CSSM 822-287-*	48	GSDM 42-*M/S4000	13	RKF-MC	7
BS 22-0	33	CSSM 94-080-*	48	GSDM 44-*M	13	RKFV-CC	7
BS 34-0	33	CSSMS 622-059-*	48	GSDM 44-*M/S4000	13	RKFV-MC	7
BS 44-0	33	CSSMS 822-287-*	48	GSDM BKM 34-0	5	RKM 34-*M	5
BSF 22-*/14.5/NPT	33	CSSMS 822-287-*.	48	GSDM BKM 44-0	23	RKM 34-*M/S4000	5
BSF 22-*/18.375/NPT	33	CSSWM 622-059-*	48	GSDM RKM 34-0	23	RKM 44-*M	5
BSF 22-*M18	33	CSSWM 822-287-*	48	GSDM RKM 44-0	23	RKM 44-*M/S4000	5
BSF 22-*M20	33	CSSWMS 622-059-*	48	GSDM/2GKDM 30	17	RKM-CC	7
BSF 34-*/14.5/NPT	33	CSSWMS 822-287-*	48	GSDM/2GKDM 30-*	17	RKMV-CC	7
BSF 34-*/18.375/NPT	33	GKDF 30-*M/14.5/NPT	14	GSDM/2GKDM 30-*S4000	17	RSF 34-*M/NPT	5
BSF 34-*M18	33	GKDF 30-*M/14.75/NPT	14	GSDM/2GKDM 32-*	17	RSF 44-*M/NPT	5
BSF 34-*M20	33	GKDF 32-*M/14.5/NPT	14	GSDM/2GKDM 32-*S4000	17	RSF RKF 34/DS	8
BSF 44-*/14.5/NPT	33	GKDF 32-*M/14.75/NPT	14	GSDM/2GKDM 34-*	17	RSF RKF 34/DS/AUX	8
BSF 44-*/18.375/NPT	33	GKDF 34-*M/14.5/NPT	14	GSDM/2GKDM 34-*S4000	17	RSF RKF 44/DS	8
BSF 44-*M18	33	GKDF 34-*M/14.75/NPT	14	GSDM/2GKDM 40	17	RSF RKF 44/DS/AUX	8
BSF 44-*M20	33	GKDF 40-*M/14.5/NPT	14	GSDM/2GKDM 40-*	17	RSF-CC	7
BSFD 22-*M18	33	GKDF 40-*M/14.75/NPT	14	GSDM/2GKDM 40-*S4000	17	RSF-MC	7
BSFD 34-*M18	33	GKDF 42-*M/14.5/NPT	14	GSDM/2GKDM 42-*	17	RSFV-CC	7
BSFD 44-*M18	33	GKDF 42-*M/14.75/NPT	14	GSDM/2GKDM 42-*S4000	17	RSFV-MC	7
BSK-CC	44	GKDF 44-*M/14.5/NPT	14	GSDM/2GKDM 44-*	17	RSM 34-*M	5
BSM 22-380-*	32	GKDF 44-*M/14.75/NPT	14	GSDM/2GKDM 44-*S4000	17	RSM 34-*M/S4000	5
BSM 34-198-*	32	GKDF-CC	26	GSDM/GKDM/BKM 34	17	RSM 44-*M	5
BSM 44-193-*	32	GKDM 30-*M	13	GSDM/GKDM/BKM 34-*S4000	17	RSM 44-*M/S4000	5
BSM/2BKM 22	36	GKDM 30-*M/S4000	13	GSDM/GKDM/BKM 44	17	RSM-CC	7
BSM/2BKM 22-380-*	36	GKDM 30-0	14	GSDM/GKDM/BKM 44-*S4000	17	RSMV-CC	7
BSM/2BKM 22-380-*/*/*/	36	GKDM 32-*M	13	GSDM/GKDM/RKM 34-*	17	SH-BKM/BSM/BKM 22	36
BSM/2BKM 34	36	GKDM 32-*M/S4000	13	GSDM/GKDM/RKM 34-*S4000	17	SH-BKM/BSM/BKM 22-380-*	36
BSM/2BKM 34-198-*	36	GKDM 34-*M	13	GSDM/GKDM/RKM 44-*	17	SH-BKM/BSM/BKM 22-380-*/*/	36
BSM/2BKM 34-198-*/*/*/	36	GKDM 34-*M/S4000	13	GSDM/GKDM/RKM 44-*S4000	17	SH-BKM/BSM/BKM 34	36
BSM/2BKM 44	36	GKDM 40-*M	13	GSDM/GKDM/T30-*	17	SH-BKM/BSM/BKM 34-198-*	36

Index

SH-BKM/BSM/BKM 34-198-*/*/*	36	SH-GSDM/2GKDM 30-*	18	SH-GSDM/GKDM/RKM 44-*/S4000	18
SH-BKM/BSM/BKM 44	36	SH-GSDM/2GKDM 30-*/S4000	18	SH-GSDM/GKDM/T30-*	18
SH-BKM/BSM/BKM 44-193-*	36	SH-GSDM/2GKDM 32-*	18	SH-GSDM/GKDM/T30-*/S4000	18
SH-BKM/BSM/BKM 44-193-*/*/*	36	SH-GSDM/2GKDM 32-*/S4000	18	SH-GSDM/GKDM/T32-*	18
SH-BKM/BSM/T22-380-*	36	SH-GSDM/2GKDM 34-*	18	SH-GSDM/GKDM/T32-*/S4000	18
SH-BKM/BSM/T34-198-*	36	SH-GSDM/2GKDM 34-*/S4000	18	SH-GSDM/GKDM/T34-*	18
SH-BKM/BSM/T44-193-*	36	SH-GSDM/2GKDM 40	18	SH-GSDM/GKDM/T34-*/S4000	18
SH-BSM/2BKM 22	36	SH-GSDM/2GKDM 40-*	18	SH-GSDM/GKDM/T40-*	18
SH-BSM/2BKM 22-380-*	36	SH-GSDM/2GKDM 40-*/S4000	18	SH-GSDM/GKDM/T40-*/S4000	18
SH-BSM/2BKM 22-380-*/*/*	36	SH-GSDM/2GKDM 42-*	18	SH-GSDM/GKDM/T42-*	18
SH-BSM/2BKM 34	36	SH-GSDM/2GKDM 42-*/S4000	18	SH-GSDM/GKDM/T42-*/S4000	18
SH-BSM/2BKM 34-198-*	36	SH-GSDM/2GKDM 44-*	18	SH-GSDM/GKDM/T44-*	18
SH-BSM/2BKM 34-198-*/*/*	36	SH-GSDM/2GKDM 44-*/S4000	18	SH-GSDM/GKDM/T44-*/S4000	18
SH-BSM/2BKM 44	36	SH-GSDM/GKDM/BKM 34	18	SH-HSM/2 HKM 4824	56
SH-BSM/2BKM 44-193-*	36	SH-GSDM/GKDM/BKM 34-*/S4000	18	WKM 34-*M/S4000	5
SH-BSM/2BKM 44-193-*/*/*	36	SH-GSDM/GKDM/BKM 44	18	WKM 44-*M/S4000	5
SH-BSM/BKM/T22-380-*	36	SH-GSDM/GKDM/BKM 44-*/S4000	18	WSM 34-*M/S4000	5
SH-BSM/BKM/T34-198-*	36	SH-GSDM/GKDM/RKM 34-*	18	WSM 44-*M/S4000	5
SH-BSM/BKM/T44-193-*	36	SH-GSDM/GKDM/RKM 34-*/S4000	18		
SH-GSDM/2GKDM 30	18	SH-GSDM/GKDM/RKM 44-*	18		

powerfast[™] PRODUCTS

TURCK sells its products through Authorized Distributors. These distributors provide our customers with technical support, service and local stock. TURCK distributors are located nationwide – including all major metropolitan marketing areas.

For Application Assistance or for the location of your nearest TURCK distributor, call:
1-800-544-7769

Specifications in this manual are subject to change with out notice. TURCK also reserves the right to make modifications and makes no guarantee of the accuracy of the information contained herein.

Literature and Media questions or concerns?
Contact Marketing Communications TURCK USA – media@turck.com



USA

TURCK
3000 Campus Drive
Minneapolis, MN 55441
Phone: (763) 553-7300
Fax: (763) 553-0708
Application Support:
1-800-544-7769
E-mail: turckusa@turck.com
www.turck.com



MEXICO

TURCK MEXICO S. DE R.L. DE C.V.
Carr. Saltillo-Zacatecas km 4.5 Nave 35
Parque Industrial "La Angostura"
Saltillo, COAH. C.P. 25315
México
Phone: +52 (844) 411-6650
Fax: +52 (844) 482-6926
Local Toll Free: 01-800-01-88725
E-mail: mexico@turck.com



CANADA

Chartwell Automation Inc.
140 Duffield Drive
Markham, Ontario
Canada, L6G 1B5
Phone: (905) 513-7100
Fax: (905) 513-7101
Toll Free: 1-877-513-7769



AUSTRALIA

TURCK Australia Pty. Ltd.
Unit 5, 6-7 Gilda Court
Mulgrave, Victoria 3170
Australia
Phone: (+61) 3 9560 9006
Fax: (+61) 3 9560 1620
Local Toll Free: 1300 132566
E-mail: turckaustralia@turck.com



GERMANY

WORLD HEADQUARTERS

Hans TURCK GmbH & Co. KG
Witzlebenstrasse 7
D-45472 Muelheim an der Ruhr
Federal Republic of Germany
Phone: (+49) 208-49 52-0
Fax: (+49) 208-49 52 264

www.turck.com