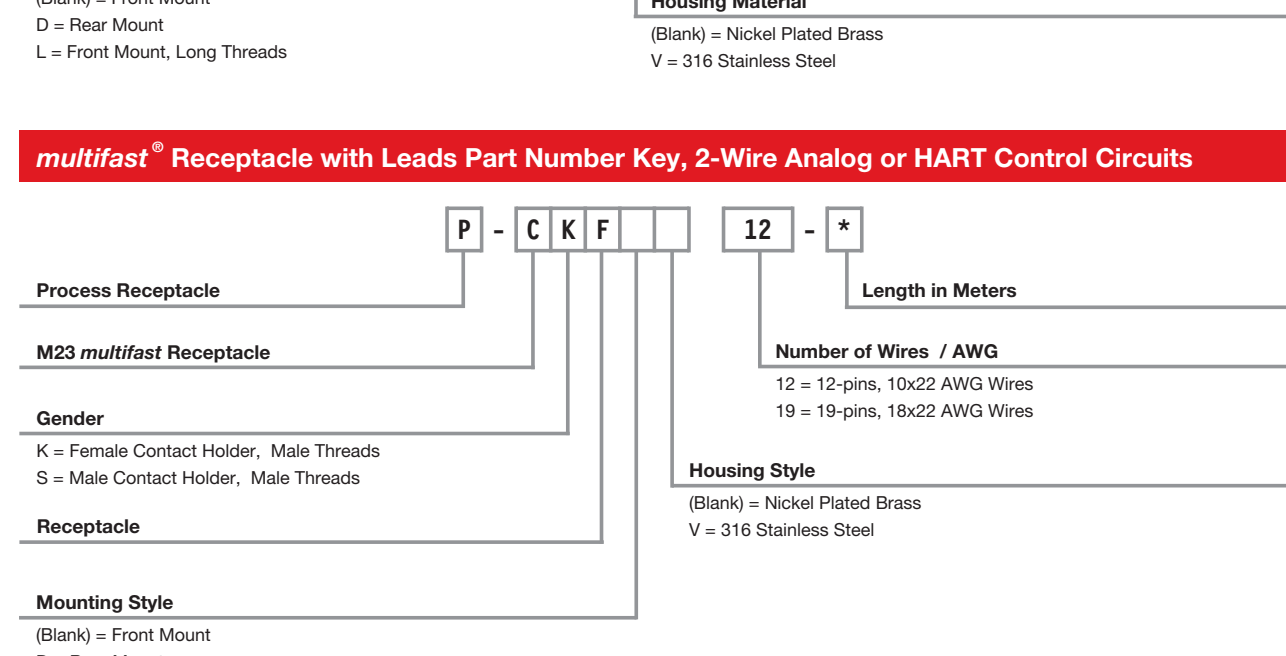
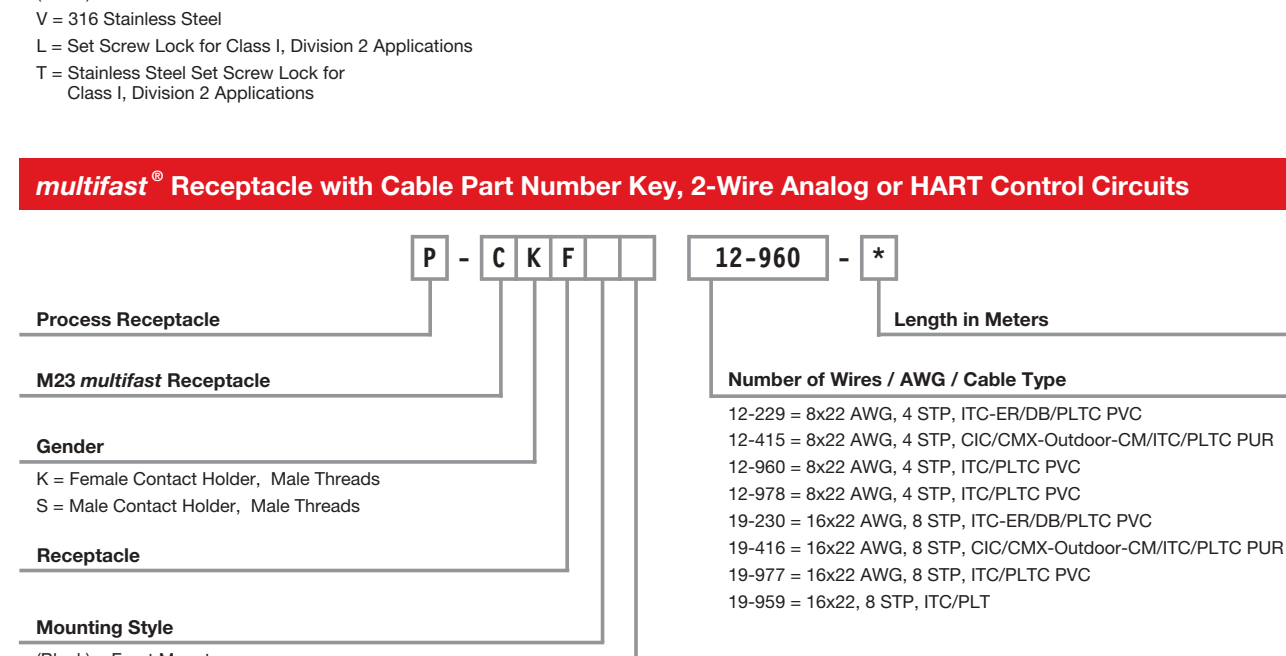
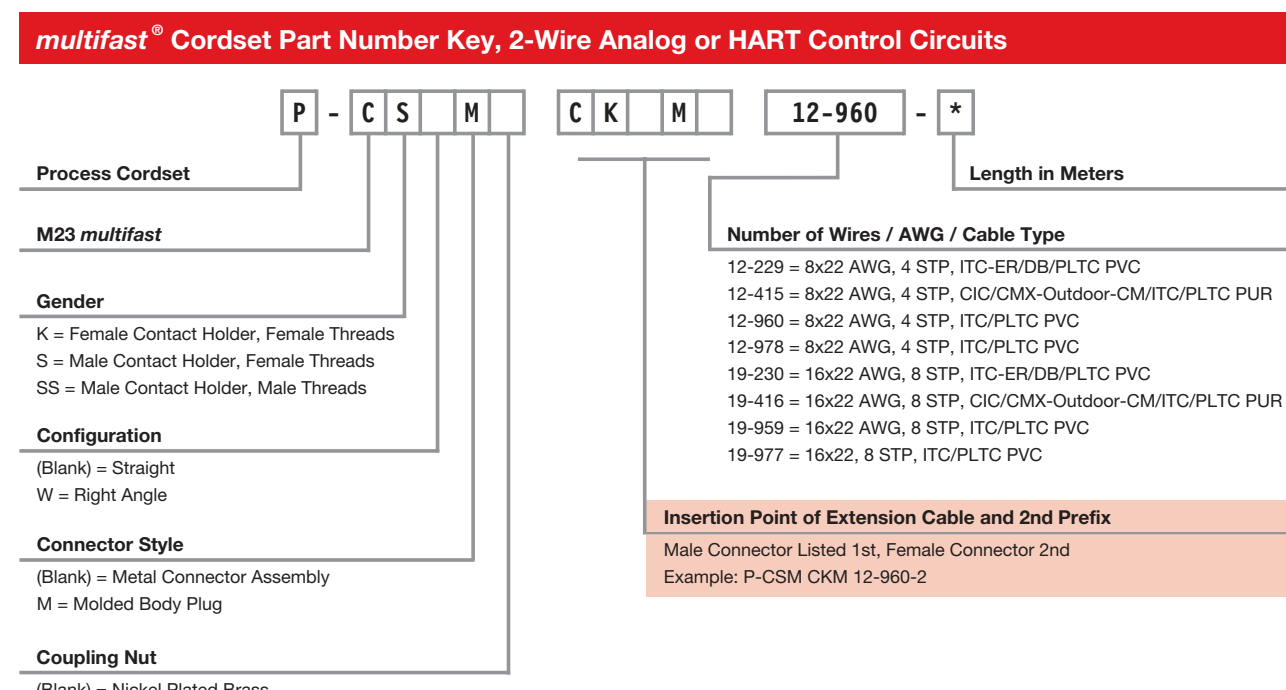
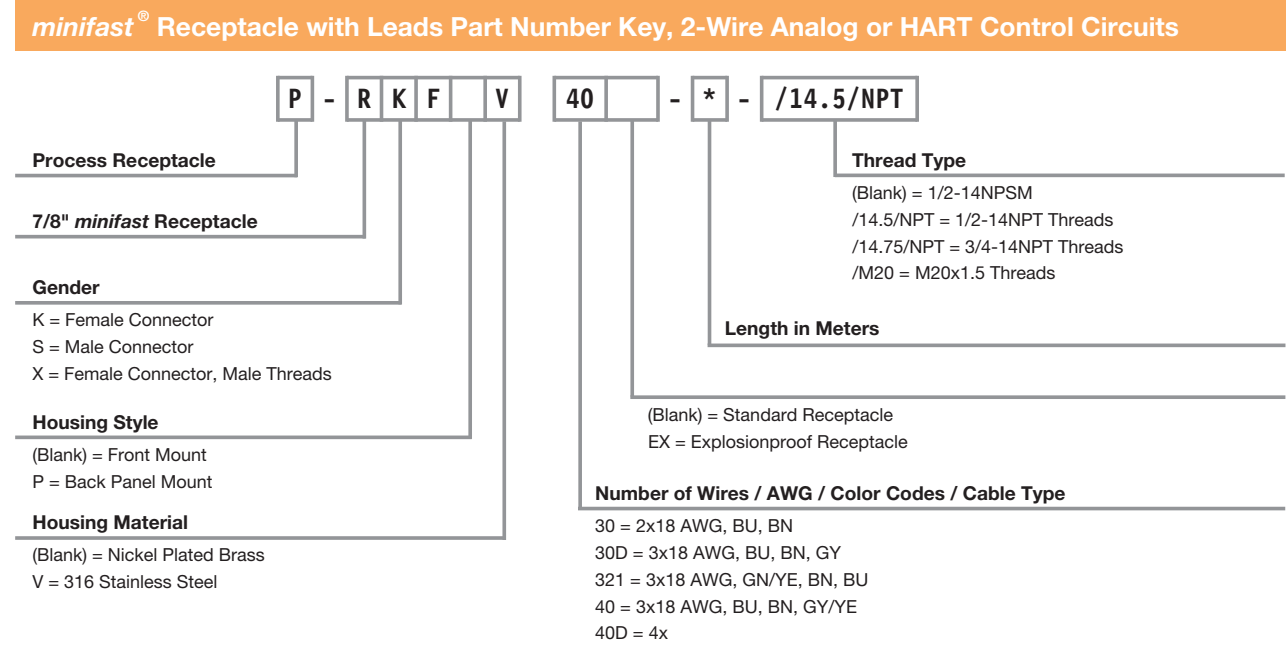
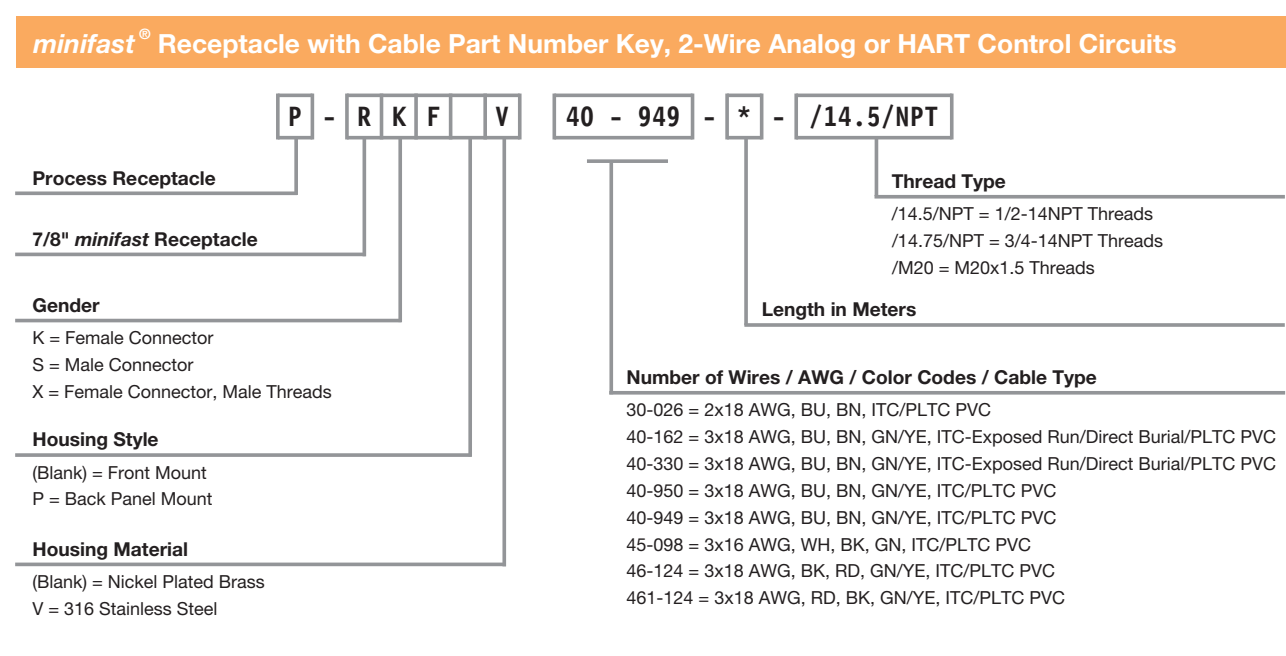
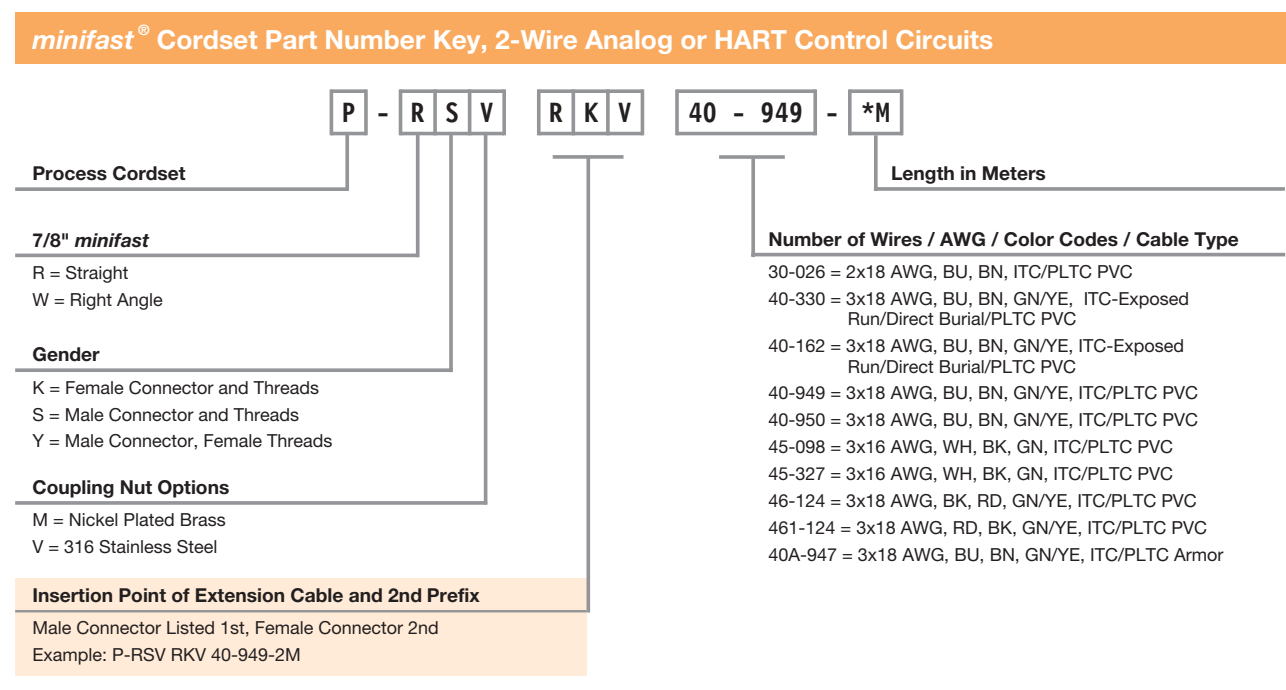
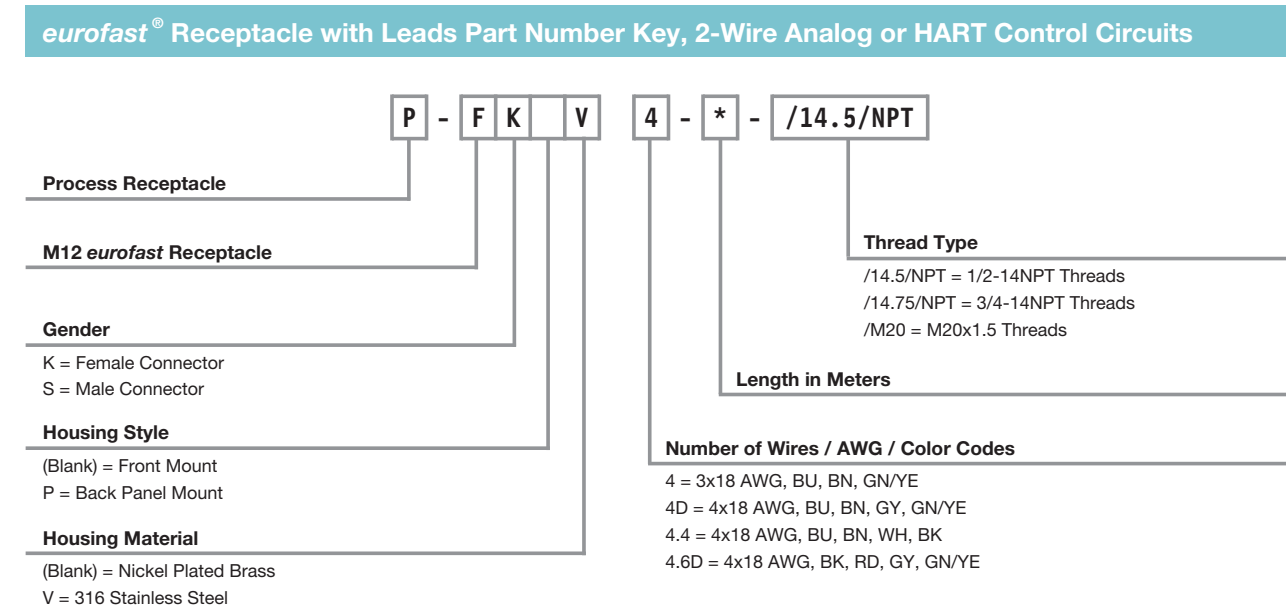
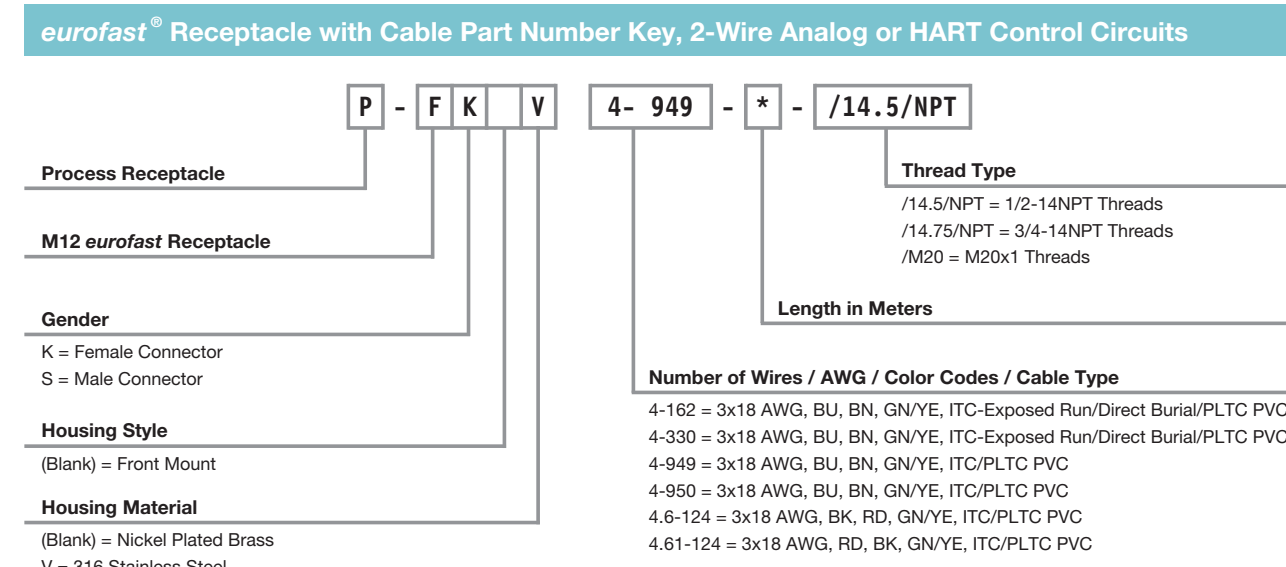
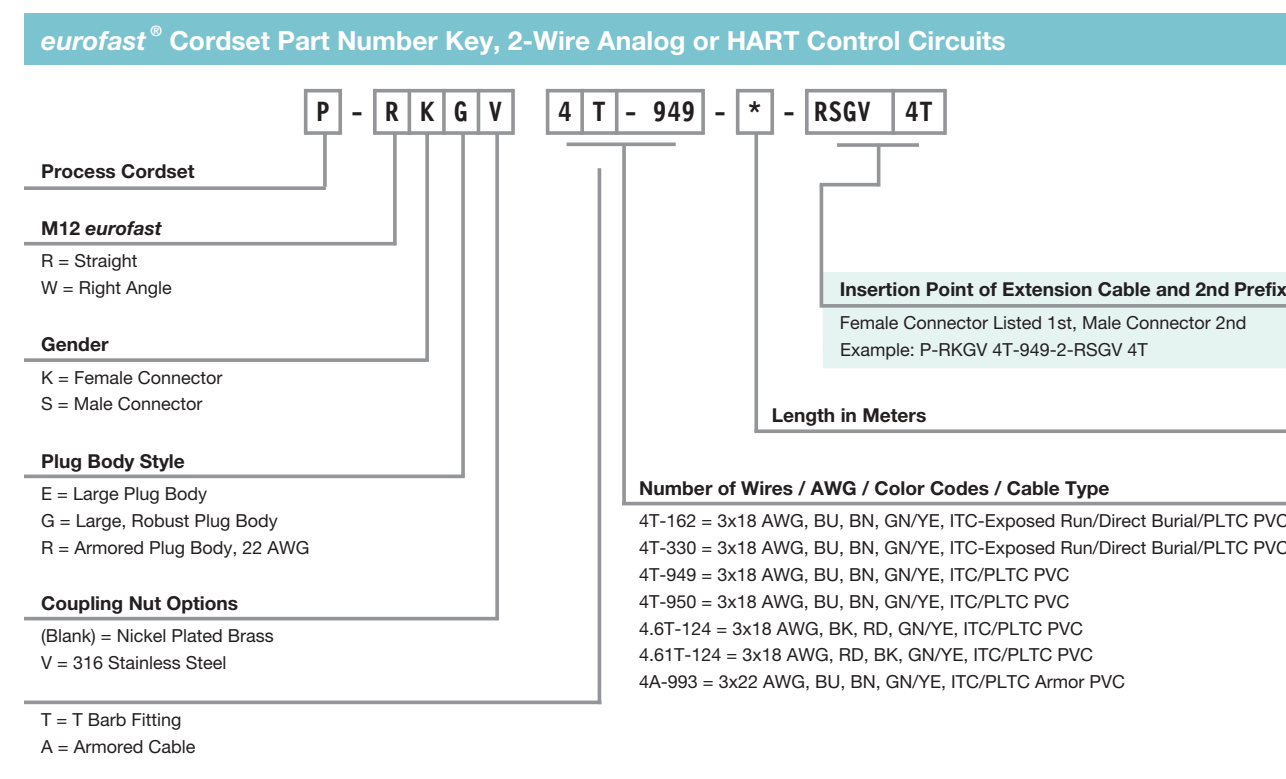


# PROCESS CONNECTIVITY PART NUMBER KEYS

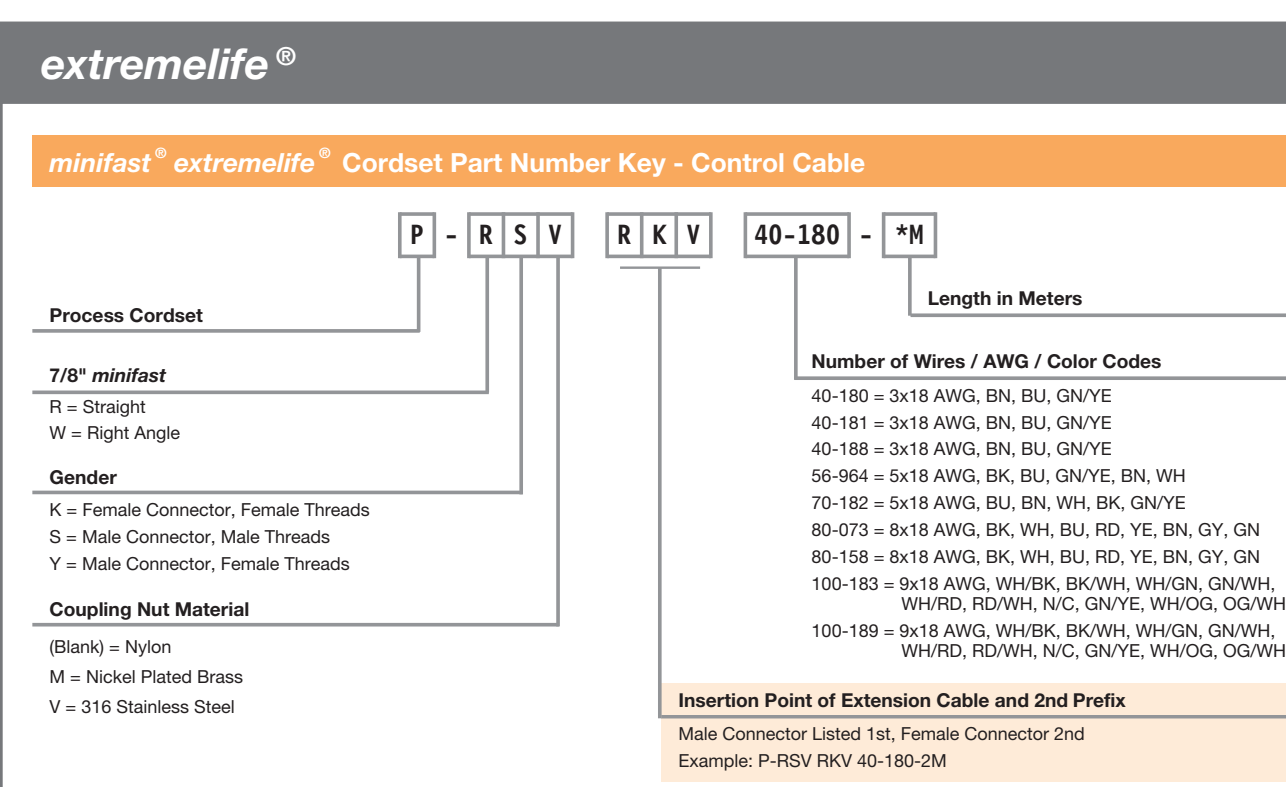
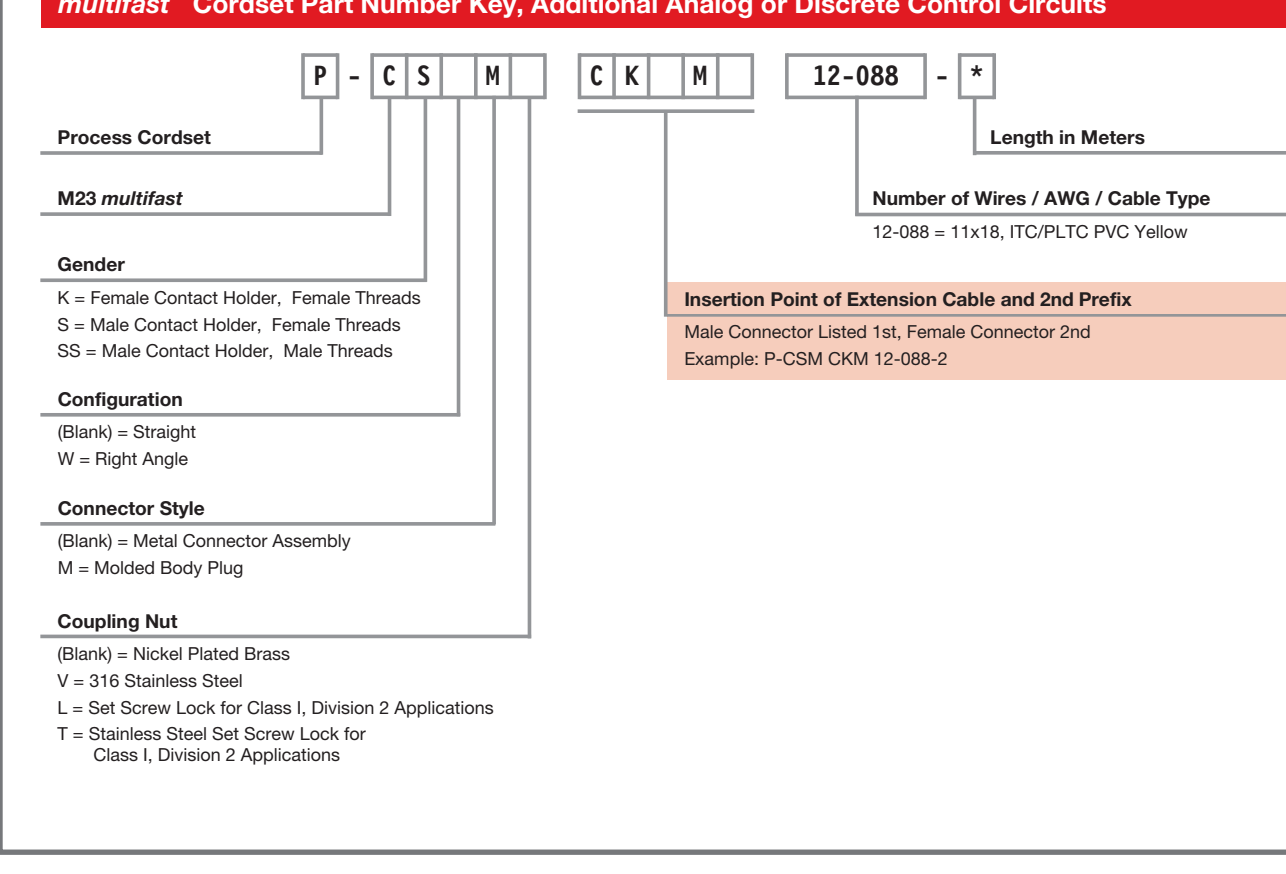
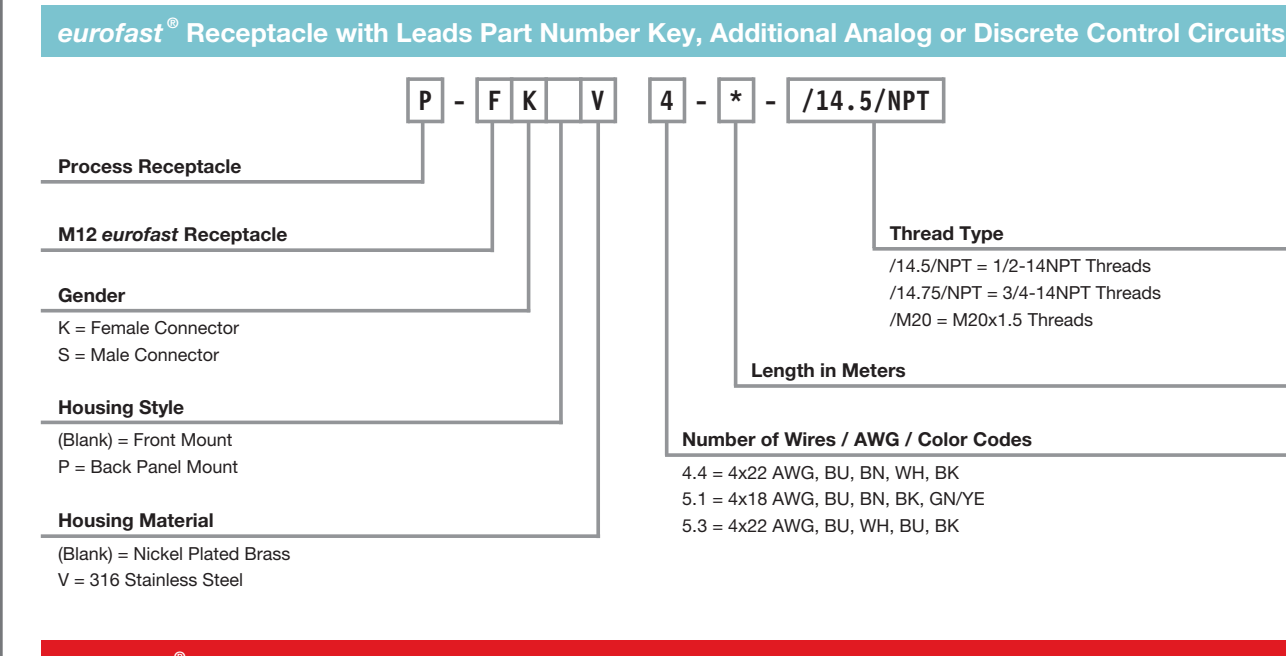
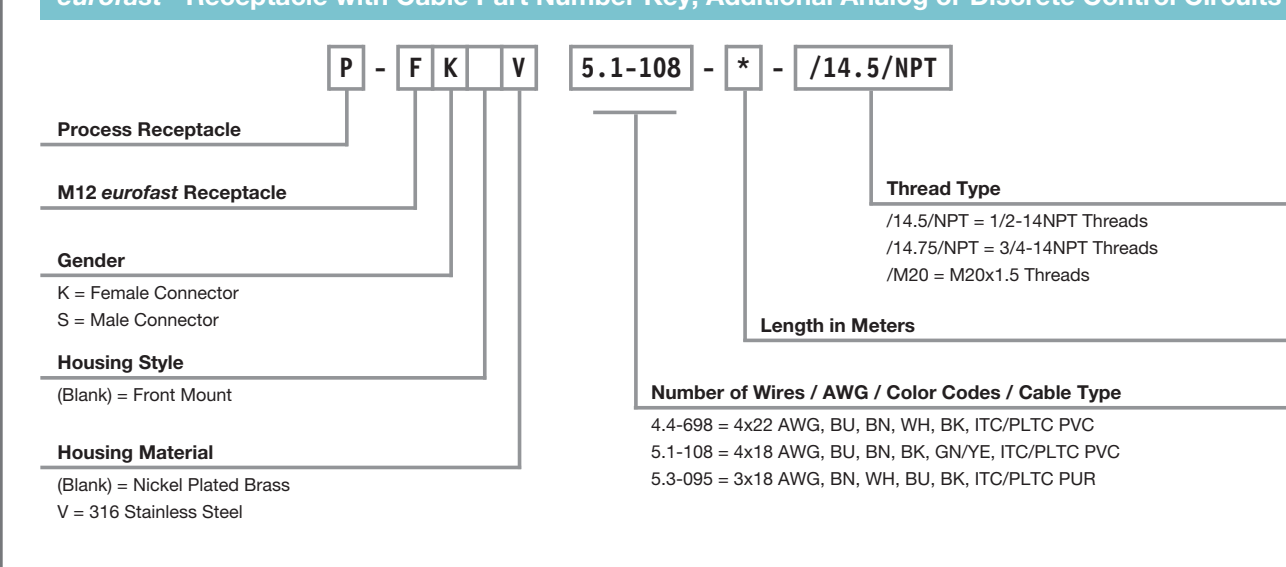
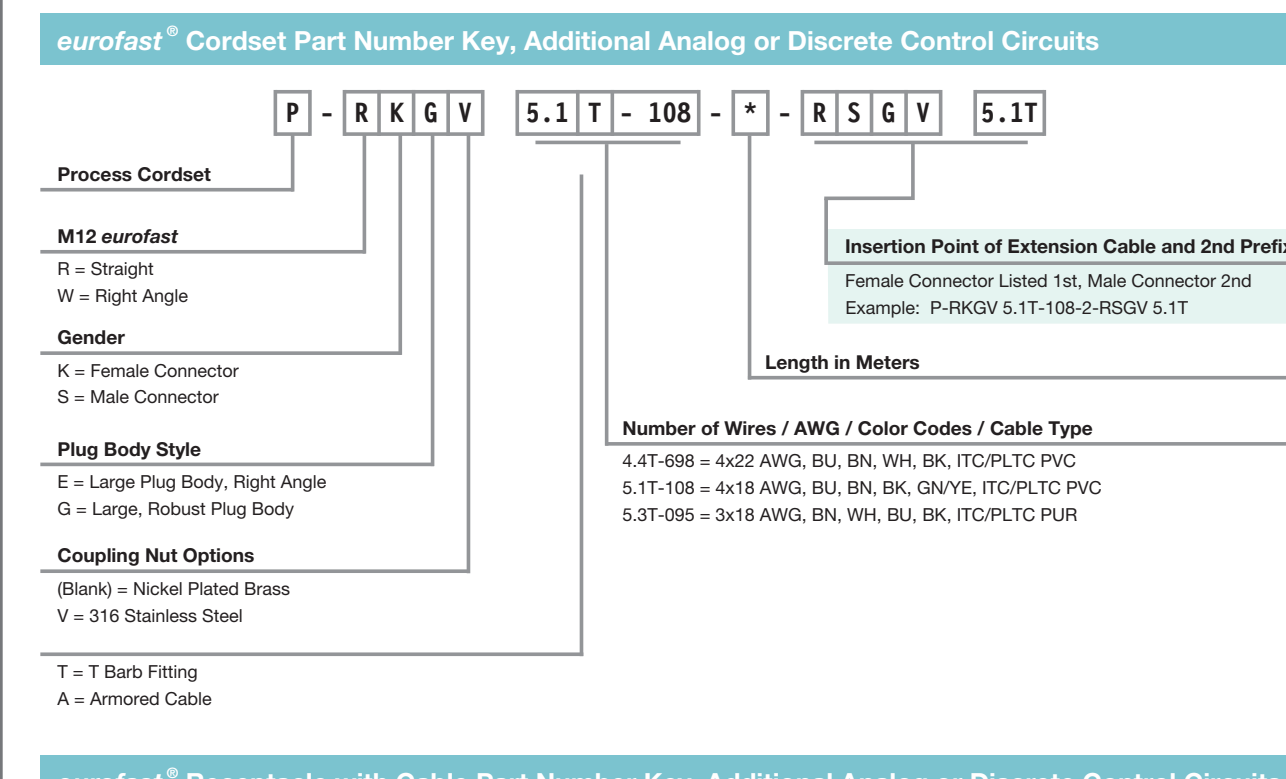


PROCESS  
AUTOMATION

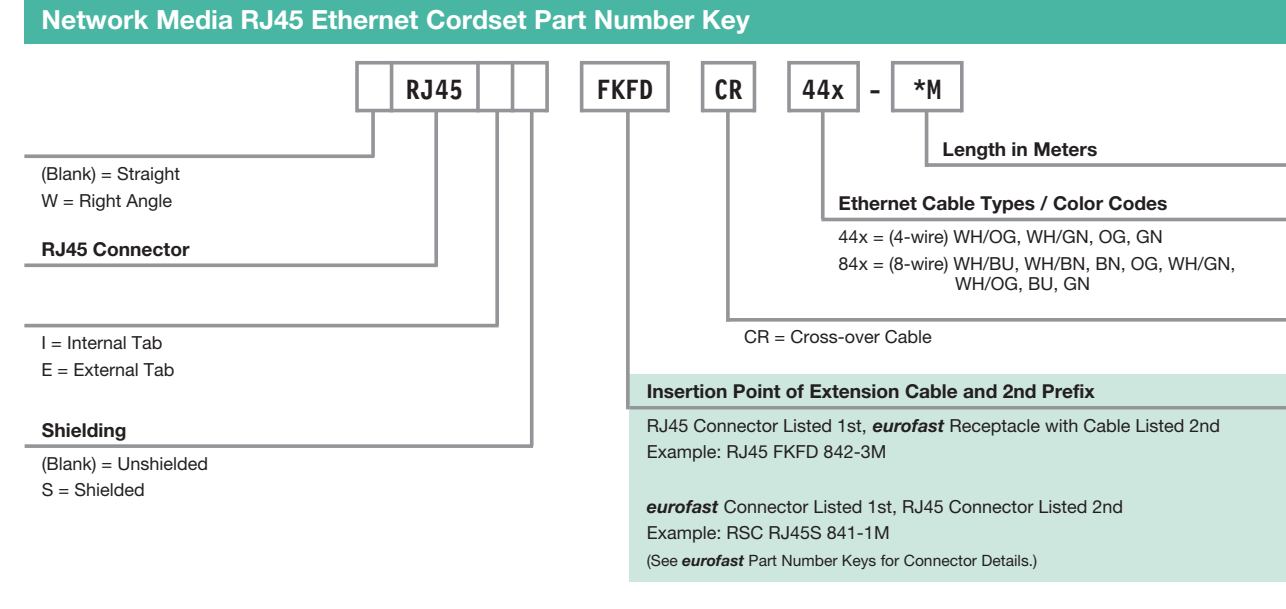
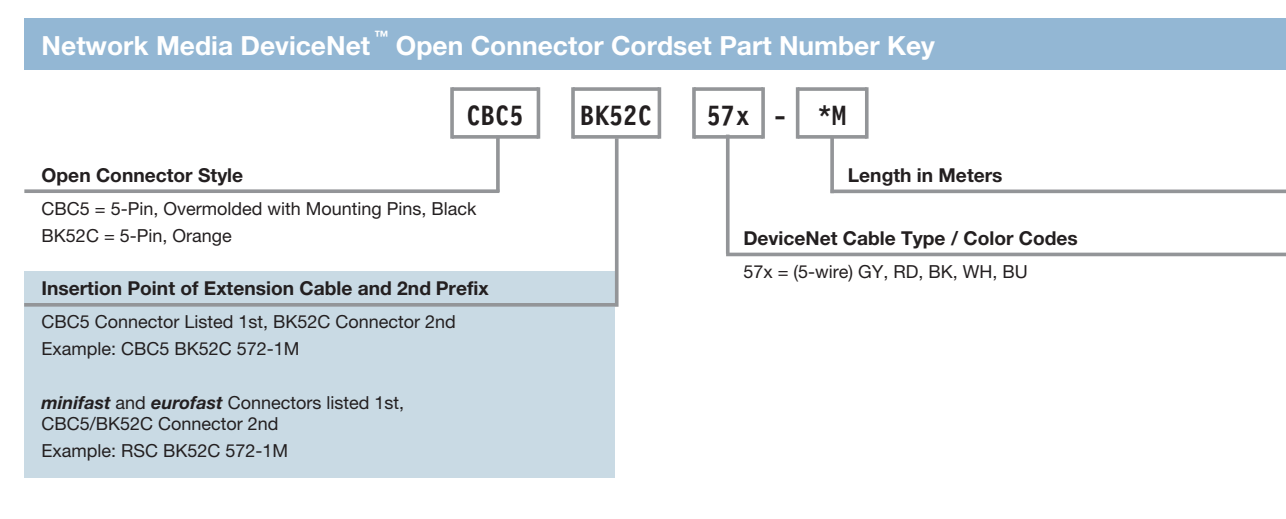
## Analog or HART Control Circuits



## Additional Analog or Discrete Control Circuits



## Network Media Cordsets



**NOTE:** Part Number Keys are to assist in IDENTIFICATION ONLY. Verify New Part Numbers with Factory; Some Configurations Are Not Possible. \* Cable or Lead Lengths in Meters x = Additional One or Two Numbers Indicating Specific Cable Type.

1-800-553-0016

