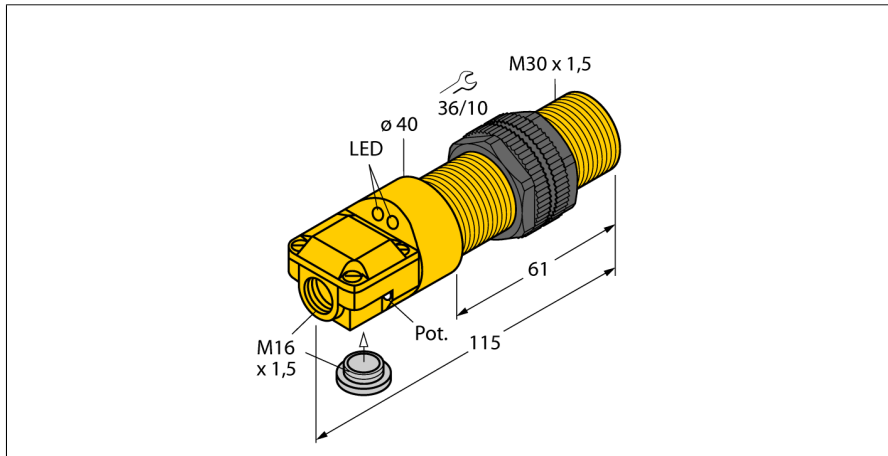
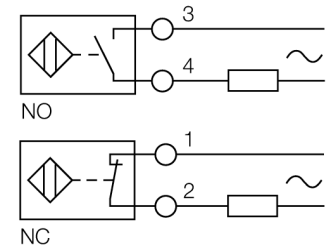


Capacitive sensor BC10-P30SR-FZ3X2



- M30 × 1.5 threaded barrel
- Plastic, ABS
- Fine adjustment via potentiometer
- AC 2-wire, 20...250 VAC
- Programmable connection (NC/NO)
- Terminal chamber

Wiring Diagram



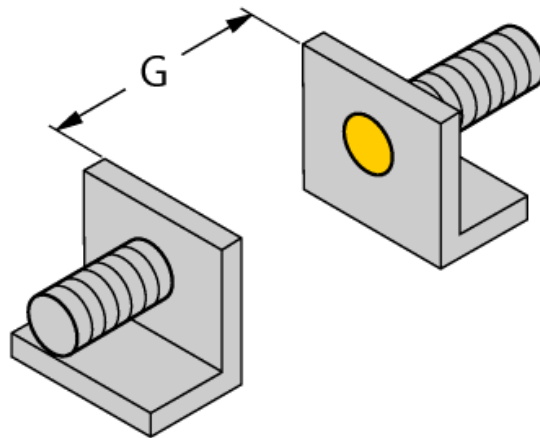
Functional principle

Capacitive proximity switches are designed for non-contact and wear-free detection of electrically conductive as well as non-conductive metal objects.

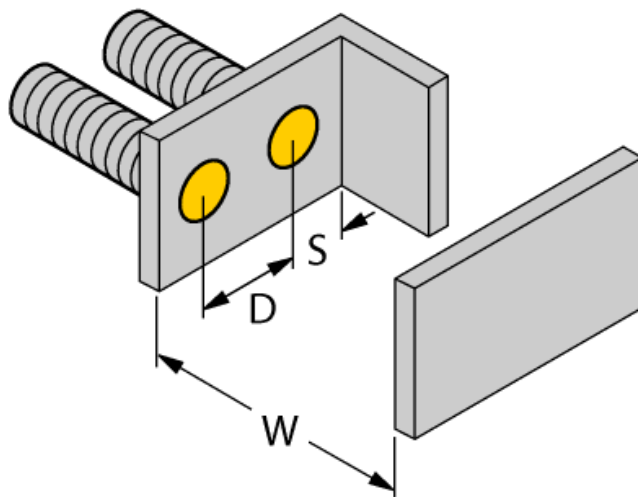
Type designation	BC10-P30SR-FZ3X2
Ident-No.	23104
Rated switching distance S_n	15 mm
Mounting conditions	Flush
Secured operating distance	$\leq (0.72 \times S_n)$ mm
Repeat accuracy	$\leq 2\%$ of full scale
Temperature drift	type 20 %
Hysteresis	2...20 %
Ambient temperature	-25...+70 °C
Operating voltage	20...250VAC
AC rated operational current	≤ 500 mA
Frequency	$\geq 50... \leq 60$ Hz
Residual current	≤ 1.7 mA
Isolation test voltage	≤ 1.5 kV
Voltage drop at I_n	≤ 7 V
Output function	2-wire, Connection programmable, 2-wire
Smallest operating current I_n	≥ 5 mA
Switching frequency	0.02 kHz
Design	Threaded barrel, M30 × 1.5
Housing material	Plastic, ABS
Active area material	Plastic, ABS, yellow
End cap	Plastic, PA
Admissible pressure on front cap	≤ 3 bar
Max. tightening torque housing nut	5 Nm
Electrical connection	Terminal chamber
Vibration resistance	55 Hz (1 mm)
Shock resistance	30 g (11 ms)
Protection class	IP67
MTTF	1080 years acc. to SN 29500 (Ed. 99) 40 °C
Packaging unit	1
Switching state	LED

Capacitive sensor BC10-P30SR-FZ3X2

Mounting instructions/Description	minimum distances
Distance D	60 mm
Distance W	30 mm
Distance S	45 mm
Distance G	60 mm
Diameter active area B	Ø 30 mm



The given minimum distances have been checked against the standard switching distance. Should the sensitivity of the sensors be changed via potentiometer, the data sheet specifications no longer apply.



**Capacitive sensor
BC10-P30SR-FZ3X2**



Accessories

Type code	Ident-No.	Description	
MAP-M30	6950013	Mounting adapter; material: Polypropylene; sensor replacement with filled container possible (adapter remains in container during sensor replacement)	
BST-30B	6947216	Fixing clamp for threaded barrel devices, with dead-stop; material: PA6	