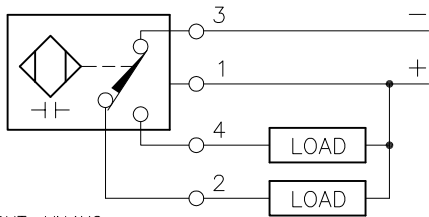


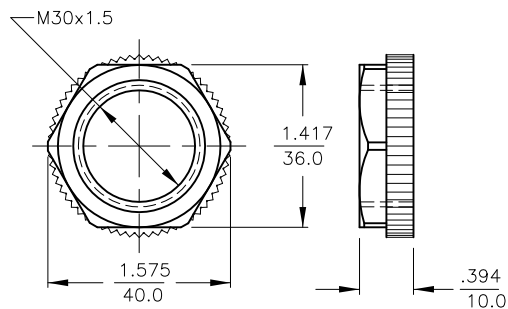
WIRING DIAGRAM



OUTPUT: VN4X2

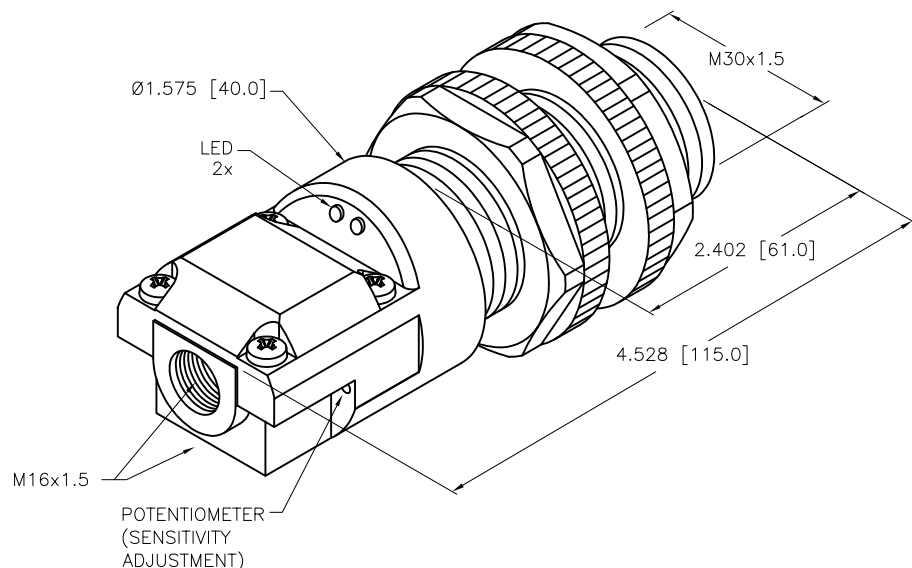
SHORT-CIRCUIT AND OVERLOAD PROTECTED

LOCKNUT LN-P30



SPECIFICATIONS

RATED OPERATING DISTANCE (FLUSH)	10 mm = .394" (NOMINAL)
RATED OPERATING DISTANCE (NON-FLUSH)	15 mm = .591" (NOMINAL)
HYSTERESIS	2-20%
TEMPERATURE DRIFT	≤ ± 20%
REPEAT ACCURACY	≤ 2%
OPERATING TEMPERATURE	-25°C to +70°C (-13°F to +158°F)
OPERATING VOLTAGE	10-65 VDC
RESIDUAL RIPPLE	≤ 10%
DC RATED OPERATIONAL CURRENT	≤ 200 mA
NO-LOAD CURRENT	≤ 15 mA
RESIDUAL CURRENT	≤ 0.1 mA
SWITCHING FREQUENCY	≤ 0.1 kHz
RATED INSULATION VOLTAGE	≤ 0.5 kV
OUTPUT FUNCTION	4-WIRE, COMPLIMENTARY CONTACT, NPN
SHORT-CIRCUIT PROTECTED	YES
VOLTAGE DROP	≤ 1.8 V
REVERSE POLARITY PROTECTION	INCORPORATED
WIRE-BREAK PROTECTION	INCORPORATED
HOUSING MATERIAL	PLASTIC, ABS
ACTIVE FACE MATERIAL	PLASTIC, ABS
ELECTRICAL CONNECTION	TERMINAL CHAMBER
SHOCK	30 g, 11 ms
VIBRATION	55 Hz, 1 mm AMPLITUDE (IN ALL 3 PLANES)
PROTECTION DEGREE	IP67
SWITCHING STATUS INDICATION	LED; YELLOW
OPERATING VOLTAGE DISPLAY	LED; GREEN



SOURCE DRAWING - FOR REFERENCE ONLY

RELATED DOCUMENTS		3RD ANGLE PROJECTION		THIS DRAWING IS CONFIDENTIAL AND THE PROPERTY OF TURCK INC. USE OF THIS DOCUMENT WITHOUT WRITTEN PERMISSION IS PROHIBITED.		 3000 CAMPUS DRIVE MINNEAPOLIS, MN 55441 1-800-544-7769 (763) 553-7300 (763) 553-0708 fax www.turck.us	
1. 2. 3. 4.				DRFT	RDS	DATE	05/23/05
MATERIAL		SEE SPECS		APVD	EH	SCALE	1=1.3
FINISH		ALL DIMENSIONS DISPLAYED ON THIS DRAWING ARE FOR REFERENCE ONLY		UNIT OF MEASUREMENT		DESCRIPTION	
		CONTACT TURCK FOR MORE INFORMATION		INCH [MILLIMETER]		BC10-P30SR-VN4X2	
				DO NOT SCALE THIS DRAWING		IDENTIFICATION NO.	
						25051	
						REV	
						B	
B	UPDATE ID NUMBER PER HARMONIZATION PROJECT	CBM	02/20/18			FILE: 25051	
REV	DESCRIPTION	BY	DATE	ECO NO.			SHEET 1 OF 1

B	UPDATE ID NUMBER PER HARMONIZATION PROJECT	CBM	02/20/18	
REV	DESCRIPTION	BY	DATE	ECO NO.