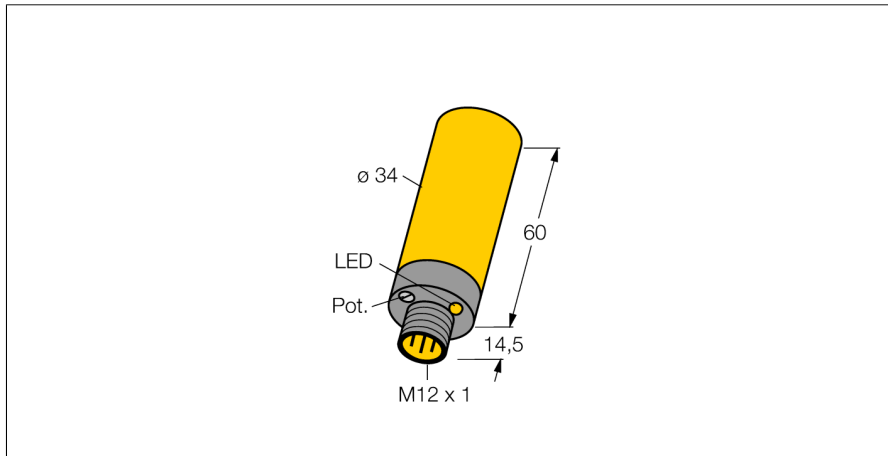


Capacitive sensor BC15-K34-AP4X-H1141

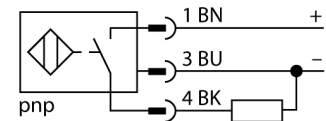
TURCK
works

Industrial
Automation



- Smooth barrel, Ø 34mm
- Plastic, PBT-GF30-V0
- Fine adjustment via potentiometer
- DC 3-wire, 10...65 VDC
- NO contact, PNP output
- M12 x 1 male connector

Wiring Diagram



Functional principle

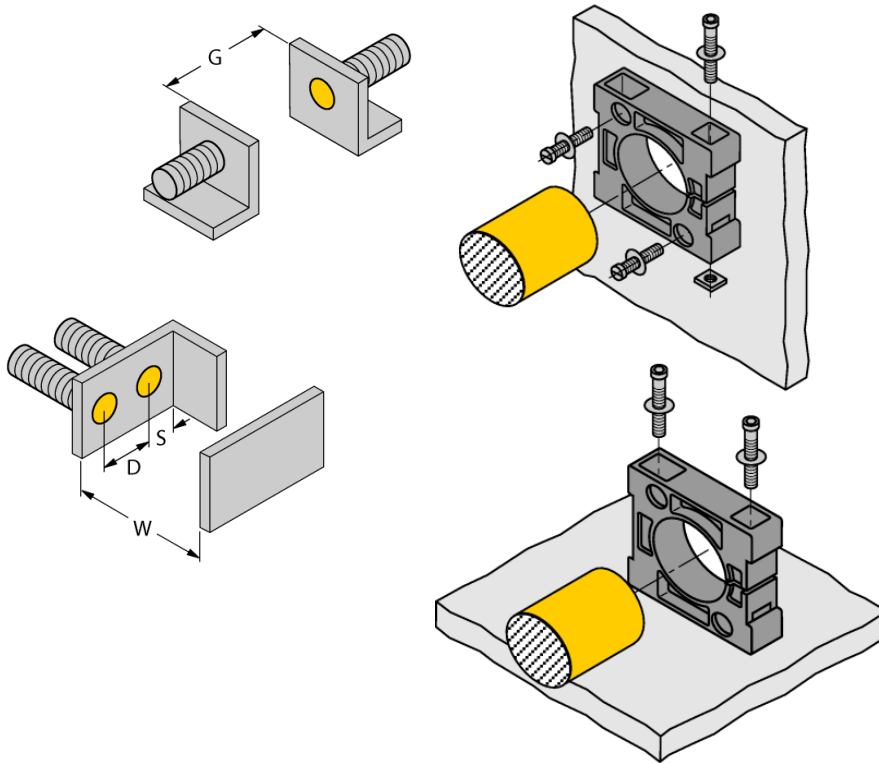
Capacitive proximity switches are designed for non-contact and wear-free detection of electrically conductive as well as non-conductive metal objects.

Type designation	BC15-K34-AP4X-H1141
Ident-No.	2502126
Rated switching distance (flush)	15 mm
Rated switching distance (non-flush)	22.5 mm
Secured operating distance	≤ (0.72 x S _n) mm
Hysteresis	2...20 %
Temperature drift	type 20 %
Repeat accuracy	≤ 2 % of full scale
Ambient temperature	-25...+70 °C
Operating voltage	10...65 VDC
Residual ripple	≤ 10 % U _s
DC rated operational current	≤ 200 mA
No-load current I ₀	≤ 15 mA
Residual current	≤ 0.1 mA
Switching frequency	0.1 kHz
Isolation test voltage	≤ 0.5 kV
Output function	3-wire, NO contact, PNP
Short-circuit protection	yes/ Cyclic
Voltage drop at I ₀	≤ 1.8 V
Wire breakage/Reverse polarity protection	yes/ Complete
Approvals	UL
Design	Smooth barrel, 34 mm
Dimensions	60 mm
Housing material	Plastic, PBT-GF30-V0
Active area material	Plastic, PBT-GF30-V0, yellow
Electrical connection	Connector, M12 x 1
Vibration resistance	55 Hz (1 mm)
Shock resistance	30 g (11 ms)
Protection class	IP67
MTTF	1080 years acc. to SN 29500 (Ed. 99) 40 °C
Packaging unit	1
Switching state	LED, Yellow
Included in delivery	BS34.1, 2 M5 screws, cable gland, blanking plugs

Capacitive sensor BC15-K34-AP4X-H1141

Mounting instructions/Description	minimum distances
Distance D	68 mm
Distance W	45 mm
Distance S	51 mm
Distance G	90 mm

Diameter active area B	Ø 34 mm
------------------------	---------



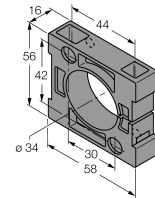
The given minimum distances have been checked in compliance with the standard switching distance. Should the sensitivity of the sensors be changed via potentiometer, the data sheet specifications no longer apply.

**Capacitive sensor
BC15-K34-AP4X-H1141**



Accessories

Type code	Ident-No.	Description
BS34.1	6946010	Fixing clamp: Mounting block material (PBT-GF20-V0); dimensions (58 mm x 56 mm x 16 mm), included in delivery (2 M5 screws for base mounting)



Wiring accessories

Type code	Ident-No.	Description
RKC4.4T-2/TXL	6625503	Connection cable, female M12, straight, 4-pin, cable length: 2 m, sheath material: PUR, black; cULus approval; other cable lengths and qualities available, see www.turck.com
WKC4.4T-2/TXL	6625515	Connection cable, female M12, angled, 4-pin, cable length: 2 m, sheath material: PUR, black; cULus approval; other cable lengths and qualities available, see www.turck.com
WKC4.4T-2/TEL	6625025	Connection cable, female M12, angled, 4-pin, cable length: 2 m, sheath material: PVC, black; cULus approval; other cable lengths and qualities available, see www.turck.com
RKC4.4T-P7X2-10/TXL	6626184	Connection cable, female M12, angled, 4-pin, cable length: 10m, sheath material: PUR, black; cULus approval; other cable lengths and qualities available, see www.turck.com

