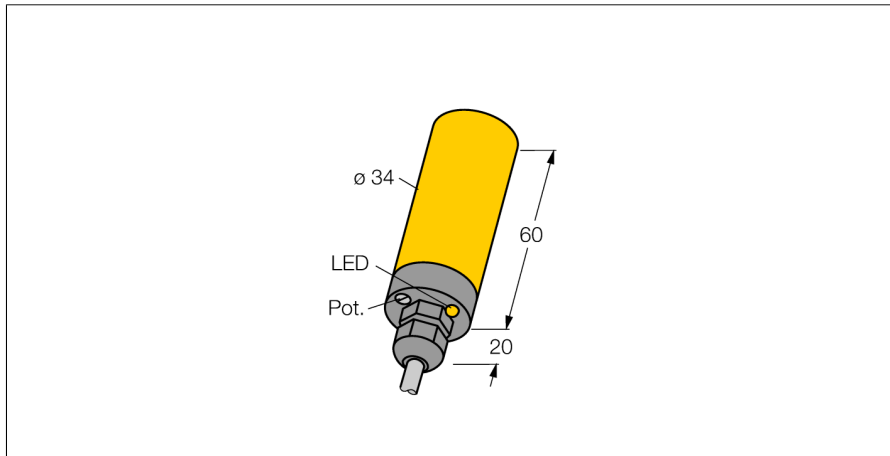
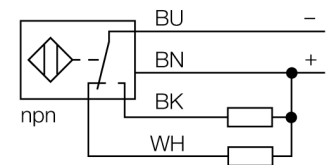


# Capacitive sensor BC15-K34-VN4X



- Smooth barrel, Ø 34mm
- Plastic, PBT-GF30-V0
- Fine adjustment via potentiometer
- DC 4-wire, 10-65 VDC
- Complementary contact, NPN output
- Cable connection

### Wiring Diagram



### Functional principle

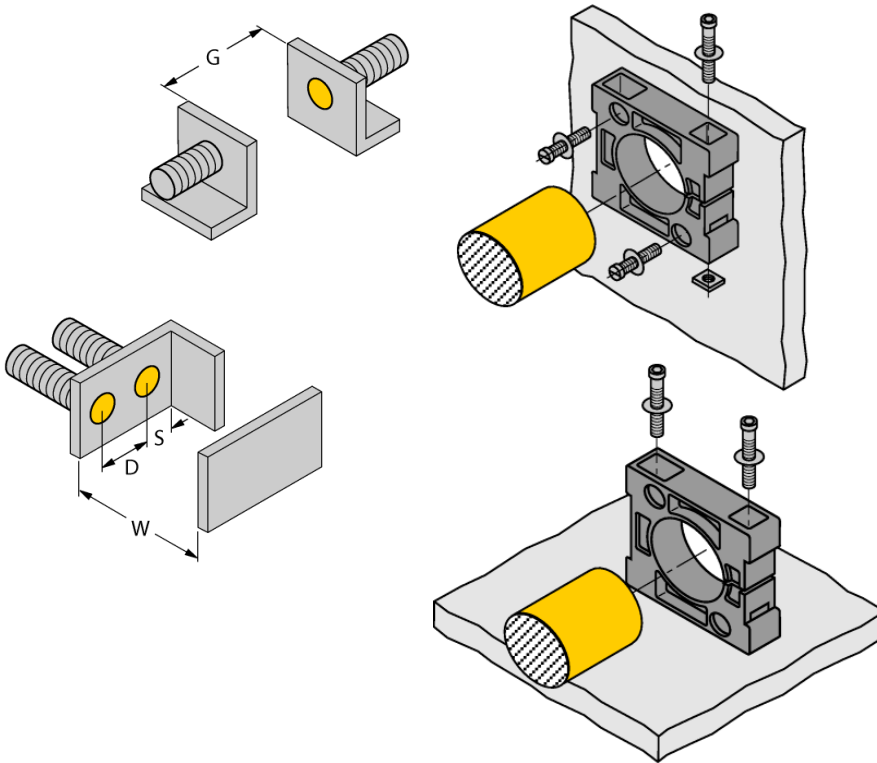
Capacitive proximity switches are designed for non-contact and wear-free detection of electrically conductive as well as non-conductive metal objects.

<b>Type designation</b>	BC15-K34-VN4X
Ident-No.	2502127
<b>Rated switching distance (flush)</b>	15 mm
Rated switching distance (non-flush)	22.5 mm
Secured operating distance	≤ (0.72 x S <sub>n</sub> ) mm
Hysteresis	2...20 %
Temperature drift	type 20 %
Repeat accuracy	≤ 2 % of full scale
Ambient temperature	-25...+70 °C
<b>Operating voltage</b>	10...65 VDC
Residual ripple	≤ 10 % U <sub>ss</sub>
DC rated operational current	≤ 200 mA
No-load current I <sub>0</sub>	≤ 15 mA
Residual current	≤ 0.1 mA
Switching frequency	0.1 kHz
Isolation test voltage	≤ 0.5 kV
Output function	4-wire, Complementary contact, NPN
Short-circuit protection	yes/ Cyclic
Voltage drop at I <sub>0</sub>	≤ 1.8 V
Wire breakage/Reverse polarity protection	yes/ Complete
<b>Approvals</b>	UL
<b>Design</b>	Smooth barrel, 34 mm
Dimensions	80 mm
Housing material	Plastic, PBT-GF30-V0
Active area material	Plastic, PBT-GF30-V0, yellow
Electrical connection	Cable
Cable quality	Ø 5.2mm, LifYY, PVC, 2
Cable cross section	4 x 0.34 mm <sup>2</sup>
Vibration resistance	55 Hz (1 mm)
Shock resistance	30 g (11 ms)
Protection class	IP67
MTTF	1080 years acc. to SN 29500 (Ed. 99) 40 °C
Packaging unit	1
<b>Switching state</b>	LED, Yellow
Included in delivery	BS34.1, 2 M5 screws, cable gland, blanking plugs

# Capacitive sensor BC15-K34-VN4X

Mounting instructions/Description	minimum distances
Distance D	68 mm
Distance W	45 mm
Distance S	51 mm
Distance G	90 mm

**Diameter active area B**                       $\varnothing$  34 mm



The given minimum distances have been checked in compliance with the standard switching distance. Should the sensitivity of the sensors be changed via potentiometer, the data sheet specifications no longer apply.

# Capacitive sensor BC15-K34-VN4X



## Accessories

Type code	Ident-No.	Description	
BS34.1	6946010	Fixing clamp: Mounting block material (PBT-GF20-V0); dimensions (58 mm x 56 mm x 16 mm), included in delivery (2 M5 screws for base mounting)	A technical drawing of a rectangular fixing clamp. The drawing shows the front and side views. Dimensions are indicated with arrows: a height of 16 mm, a top width of 44 mm, a total height of 56 mm, a bottom width of 42 mm, a central hole diameter of 34 mm, a distance of 30 mm from the center to the right edge, and a total width of 58 mm. Two small circles on the top surface represent screw holes.