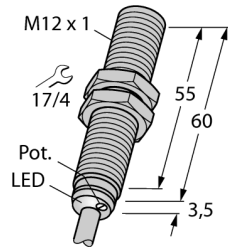
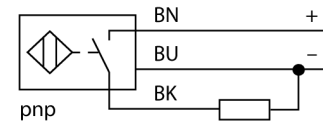


Capacitive sensor BC3-M12-AP6X



- M12 × 1 threaded barrel
- Chrome-plated brass
- Fine adjustment via potentiometer
- DC 3-wire, 10...30 VDC
- NO contact, PNP output
- Cable connection

Wiring Diagram



Functional principle

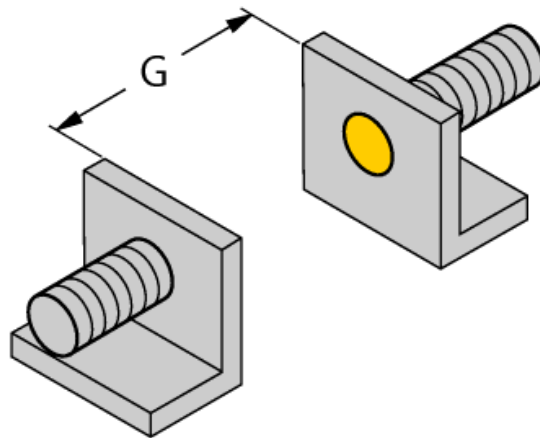
Capacitive proximity switches are designed for non-contact and wear-free detection of electrically conductive as well as non-conductive metal objects.

Type designation	BC3-M12-AP6X
Ident-No.	2601000
Rated switching distance S_n	3 mm
Mounting conditions	Flush
Secured operating distance	$\leq (0.72 \times S_n)$ mm
Repeat accuracy	$\leq 2\%$ of full scale
Temperature drift	type 20 %
Hysteresis	2...20 %
Ambient temperature	-25...+70 °C
Storage temperature	-25...+80 °C
Operating voltage	10...30 VDC
Residual ripple	$\leq 10\% U_{ss}$
DC rated operational current	≤ 200 mA
No-load current I_0	≤ 15 mA
Residual current	≤ 0.1 mA
Isolation test voltage	≤ 0.5 kV
Short-circuit protection	yes/ Cyclic
Voltage drop at I_0	≤ 1.8 V
Wire breakage/Reverse polarity protection	yes/ Complete
Output function	3-wire, NO contact, PNP
Switching frequency	0.1 kHz
Design	Threaded barrel, M12 × 1
Dimensions	63.5 mm
Housing material	Metal, CuZn, Chrome-plated
Active area material	Plastic, ABS, yellow
End cap	Plastic, PA
Admissible pressure on front cap	≤ 5 bar
Max. tightening torque housing nut	10 Nm
Electrical connection	Cable
Cable quality	4mm, LifYY, PVC, 2
Cable cross section	3 x 0.25 mm ²
Vibration resistance	55 Hz (1 mm)
Shock resistance	30 g (11 ms)
Protection class	IP67
MTTF	1080 years acc. to SN 29500 (Ed. 99) 40 °C
Packaging unit	1
Switching state	LED, Yellow

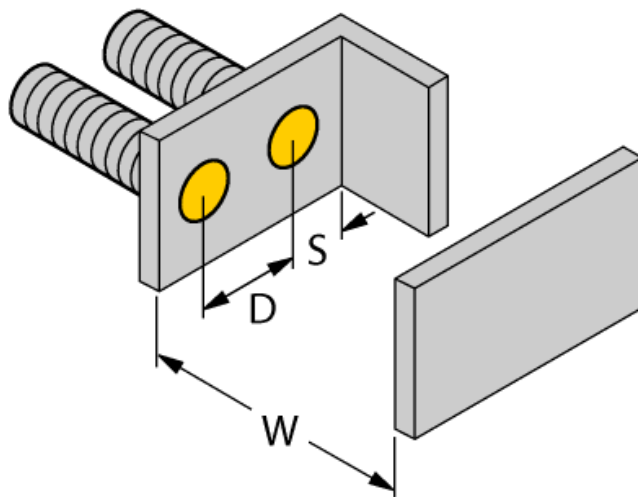
**Capacitive sensor
BC3-M12-AP6X**

Mounting instructions/Description	minimum distances
Distance D	24 mm
Distance W	9 mm
Distance S	18 mm
Distance G	18 mm

Diameter active area B	Ø 12 mm
------------------------	---------



The given minimum distances have been checked against the standard switching distance. Should the sensitivity of the sensors be changed via potentiometer, the data sheet specifications no longer apply.



**Capacitive sensor
BC3-M12-AP6X**



Accessories

Type code	Ident-No.	Description	
MAP-M12-PP	6950016	Mounting adapter; material: Polypropylene; sensor replacement with filled container possible (adapter remains in container during sensor replacement)	
MAP-M12-PVDF	6950017	Mounting adapter; material: Polyvinylidenflourid; sensor can be replaced with filled container (adapter remains in container during replacement)	
BST-12B	6947212	Fixing clamp for threaded barrel devices, with dead-stop; material: PA6	