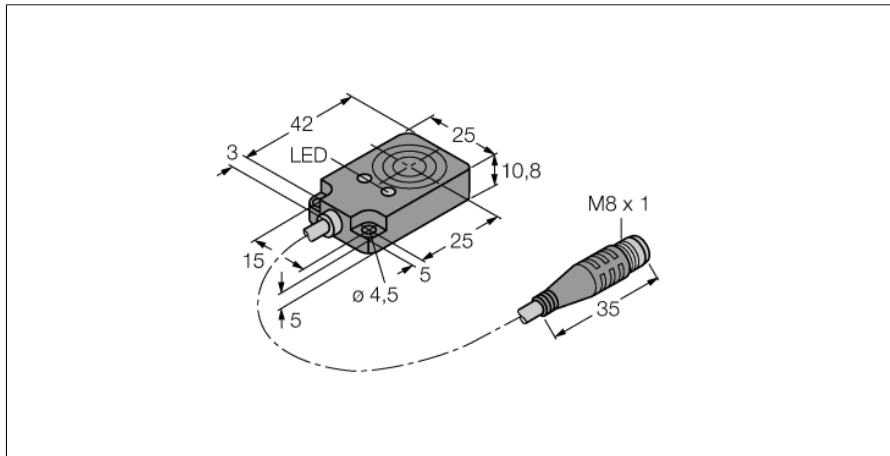


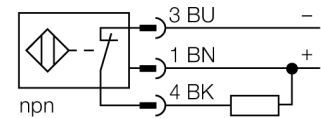
# Capacitive sensor

## BC8-Q10-RN6X2-0.15-SSFP3/S90



- Rectangular, height 10.8mm
- Active face on top
- Plastic, PBT-GF30-V0
- Fixed settings
- DC 3-wire, 10...30 VDC
- NC contact, NPN output
- M8 × 1 male connector

### Wiring Diagram



<b>Type designation</b>	BC8-Q10-RN6X2-0.15-SSFP3/S90
Ident-No.	2620113
<b>Rated switching distance (flush)</b>	8 mm
Rated switching distance (non-flush)	8 mm
Secured operating distance	≤ (0.72 × S <sub>n</sub> ) mm
Hysteresis	2...20 %
Temperature drift	type 20 %
Repeat accuracy	≤ 2 % of full scale
Ambient temperature	-25...+70 °C
<b>Operating voltage</b>	10...30 VDC
Residual ripple	≤ 10 % U <sub>ss</sub>
DC rated operational current	≤ 200 mA
No-load current I <sub>0</sub>	≤ 15 mA
Residual current	≤ 0.1 mA
Switching frequency	0.1 kHz
Isolation test voltage	≤ 0.5 kV
Output function	3-wire, NC contact, NPN
Short-circuit protection	yes/ Cyclic
Voltage drop at I <sub>0</sub>	≤ 1.8 V
Wire breakage/Reverse polarity protection	yes/ Complete
<b>Approvals</b>	UL
<b>Design</b>	Rectangular, Q10
Dimensions	42 x 25 x 10.8 mm
Housing material	Plastic, PBT-GF30-V0
Active area material	Plastic, PBT-GF30-V0
Electrical connection	Connector, M8 × 1
Cable quality	Ø 3mm, Lif9Y-11Y, PUR, 0.15
Cable cross section	3 x 0.14 mm <sup>2</sup>
Vibration resistance	55 Hz (1 mm)
Shock resistance	30 g (11 ms)
Protection class	IP67
MTTF	1080 years acc. to SN 29500 (Ed. 99) 40 °C
Packaging unit	1
<b>Power-on indication</b>	LED, Green
Switching state	LED, Yellow

### Functional principle

Capacitive proximity switches are designed for non-contact and wear-free detection of electrically conductive as well as non-conductive metal objects.