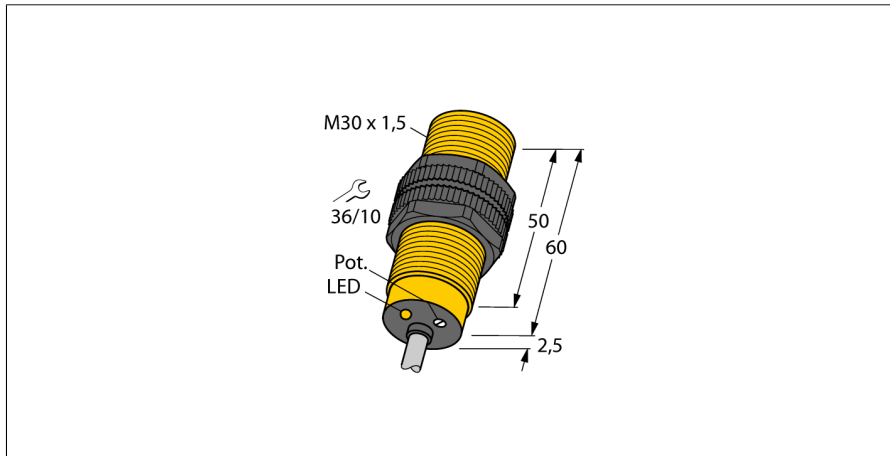
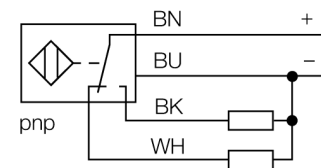


Capacitive sensor BCF10-S30-VP4X



- M30 × 1.5 threaded barrel
- Plastic, PA12-GF30
- Fine adjustment via potentiometer
- Increased EMI protection (even with high frequency equipment)
- Suited for highly viscous media
- DC 4-wire, 10...65 VDC
- Complementary contact, PNP output
- Cable connection

Wiring Diagram



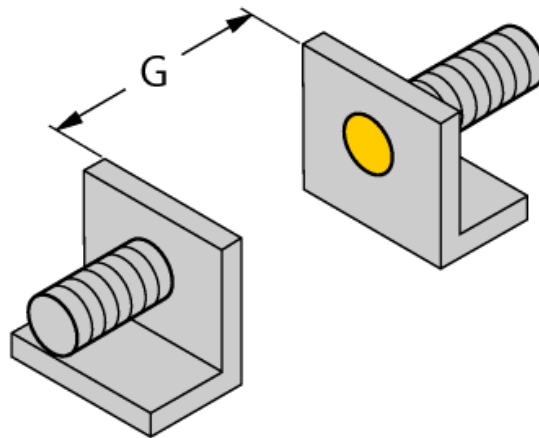
Functional principle

Capacitive proximity switches are designed for non-contact and wear-free detection of electrically conductive as well as non-conductive metal objects.

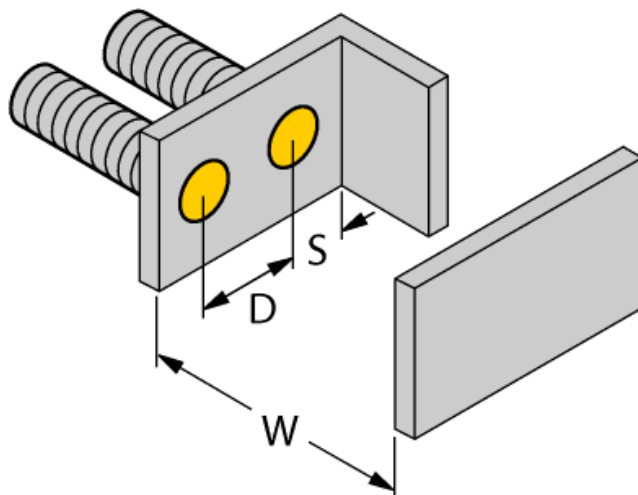
Type designation	BCF10-S30-VP4X
Ident-No.	2506111
Rated switching distance (flush)	10 mm
Rated switching distance (non-flush)	10 mm
Secured operating distance	≤ (0.72 × S _n) mm
Hysteresis	2...20 %
Temperature drift	type 20 %
Repeat accuracy	≤ 2 % of full scale
Ambient temperature	-25...+70 °C
Operating voltage	10...65 VDC
Residual ripple	≤ 10 % U _{ss}
DC rated operational current	≤ 200 mA
No-load current I ₀	≤ 15 mA
Residual current	≤ 0.1 mA
Switching frequency	0.1 kHz
Isolation test voltage	≤ 0.5 kV
Output function	4-wire, Complementary contact, PNP
Short-circuit protection	yes/ Cyclic
Voltage drop at I ₀	≤ 1.8 V
Wire breakage/Reverse polarity protection	yes/ Complete
Approvals	UL
Design	Threaded barrel, M30 × 1.5
Dimensions	62.5 mm
Housing material	Plastic, PA12-GF30, PEI
Active area material	Plastic, PA12-GF30, yellow
Admissible pressure on front cap	≤ 3 bar
Max. tightening torque housing nut	5 Nm
Electrical connection	Cable
Cable quality	Ø 5.2mm, LifYY, PVC, 2
Cable cross section	4 × 0.34 mm ²
Vibration resistance	55 Hz (1 mm)
Shock resistance	30 g (11 ms)
Protection class	IP67
MTTF	1080 years acc. to SN 29500 (Ed. 99) 40 °C
Packaging unit	1
Switching state	LED, Yellow

Capacitive sensor BCF10-S30-VP4X

Mounting instructions/Description	minimum distances
Distance D	60 mm
Distance W	30 mm
Distance S	45 mm
Distance G	60 mm
Diameter active area B	Ø 30 mm



The given minimum distances have been checked against the standard switching distance. Should the sensitivity of the sensors be changed via potentiometer, the data sheet specifications no longer apply.



**Capacitive sensor
BCF10-S30-VP4X**



Accessories

Type code	Ident-No.	Description	
MAP-M30	6950013	Mounting adapter; material: Polypropylene; sensor replacement with filled container possible (adapter remains in container during sensor replacement)	
BST-30B	6947216	Fixing clamp for threaded barrel devices, with dead-stop; material: PA6	