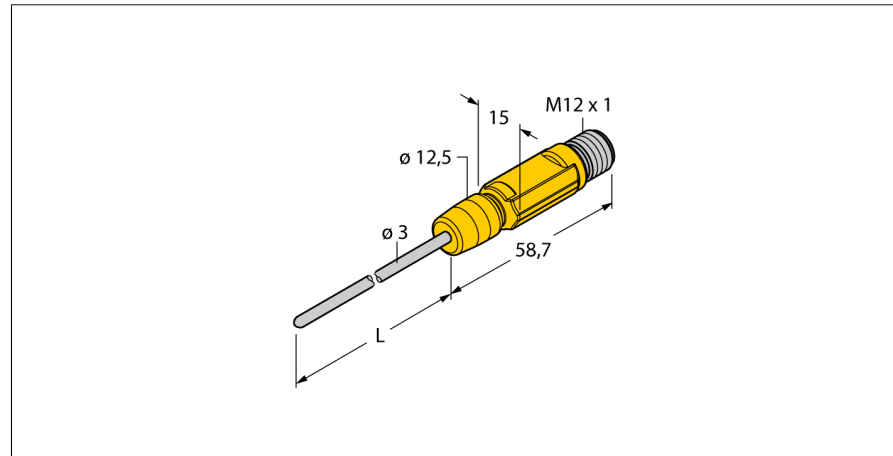
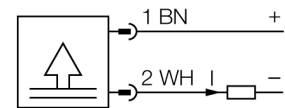


**Temperature measurement
With Current Output
TTM100C-203A-CF-LI6-H1140-L100**



- Miniature design
- Analog output 4...20 mA

Wiring Diagram



General description

Temperatures are recorded over a mineral insulated transmitter and converted into a wide range of electrical output signals.

The devices of the TTM miniature series are enclosed in a fully potted plastic housing and depending on the variant, they have either an IO-link output, power output and/or switching output.

Type designation	TTM100C-203A-CF-LI6-H1140-L100
Ident no.	9910533
Temperature range	0...100 °C
Temperature operating range	32...212°F
Measuring element	Pt-1000 probe, DIN EN 60 60751, class A
Accuracy	0.15 °C + 0.002 · t (-30 ... 350°C)
Response time	t 0.5 = 1.5 s / t 0.9 = 6.0 s in water at 0.2 m/s
Immersion depth (L)	100 mm
Power supply	
Operating voltage	10... 24VDC
Current consumption	≤ 20 mA
Short-circuit/reverse polarity protection	yes/ yes
Protection type and class	IP67/ III
Outputs	
Output 1	Analog output
Analogue output	
Operating range	4...20 mA (2-wire)
Load	≤ 0.7 kΩ
Accuracy (Lin. + Hys. + Rep.)	± 0.2 K
Temperature behaviour	
Temperature coefficient zero point Tk0	± 0.1 % of full scale/10 K
Temperature coefficient span T _{is}	± 0.1 % of full scale / 10 K
Ambient conditions	
Ambient temperature	-40...80 °C
Storage temperature	-40...+80°C
Pressure resistance	100 bar
Housing	
Housing material	Stainless-steel/Plastic, V4A (1.4404)
Sensor material	stainless steel, AISI 316L
Process connection	for compression fittings, thermowells or direct mounting
Electrical connection	Flange connector, M12 x 1
Pressure resistance	100 bar
Reference conditions acc. to IEC 61298-1	
Temperature	15...25 °C
Atmospheric pressure	860...1060 hPa abs.
Humidity	45...75 % rel.
Auxiliary power	24 VDC

**Temperature measurement
With Current Output
TTM100C-203A-CF-LI6-H1140-L100**

TURCK

Industrial
Automation

Wiring accessories

Type code	Ident no.	Description	
WKC4.4T-2/TEL	6625025	Connection cable, female M12, angled, 4-pin, cable length: 2 m, sheath material: PVC, black; cULus approval; other cable lengths and qualities available, see www.turck.com	
RKC4.4T-2/TEL	6625013a	Connection cable, M12 female, straight, 4-pin, cable length: 2 m, sheath material: PVC, black; cULus approval; other cable lengths and qualities available, see www.turck.com	
RKC4.4T-2/TXL	6625503	Connection cable, female M12, straight, 4-pin, cable length: 2 m, sheath material: PUR, black; cULus approval; other cable lengths and qualities available, see www.turck.com	
WKC4.4T-2/TXL	6625515	Connection cable, female M12, angled, 4-pin, cable length: 2 m, sheath material: PUR, black; cULus approval; other cable lengths and qualities available, see www.turck.com	
RKC4.4T-P7X2-10/TXL	6626184	Connection cable, female M12, angled, 4-pin, cable length: 10m, sheath material: PUR, black; cULus approval; other cable lengths and qualities available, see www.turck.com	