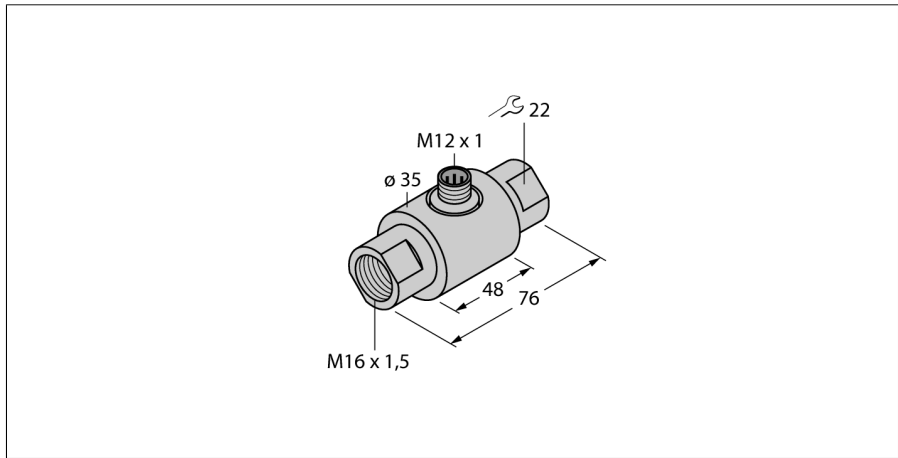


Flow monitoring

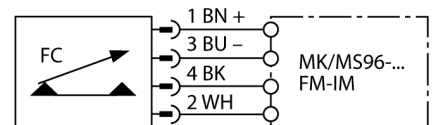
Inline sensor with separate processor

FCI-D09A4-NA-H1141/M16



- Flow sensor for liquid media
- Calorimetric principle
- Adjustment via potentiometer on processor
- Status indicated via LED chain on signal processor
- Plug-in device, M12 x 1
- 4-wire connection to the processor

Wiring diagram



Type code	FCI-D09A4-NA-H1141/M16
Ident-No.	6870631
Ident-No (TUSA)	M6870631

Mounting	inline sensor
Flow operating range	0,03...0,9 l/min.
Stand-by time	typ. 8 s (2...15 s)
Switch-on time	typ. 2 s (1...15 s)
Switch-off time	typ. 2 s (1...15 s)
Temperature jump, response time	max. 12 s
Temperature gradient	≤ 250 K/min
Medium temperature	-20...80 °C

IP Rating	IP67
------------------	------

Housing material	stainless steel, V4A (1.4571)
Sensor material	stainless steel, AISI 316Ti
Connection	male, M12 x 1
Pressure resistance	16 bar
Process connection	M16 x 1,5

Functional principle

The function of the inline flow sensors is based on the thermo-dynamic principle. Heat is generated in a measuring tube and absorbed by the flowing medium. The transported heat loss is thus a measure of the flow speed. Thus TURCK's wear-free flow sensors reliably monitor the flow of gaseous and liquid media. A low pressure drop and fast response to flow rate variations are the outstanding features of these devices.

Flow monitoring
Inline sensor with separate processor
FCI-D09A4-NA-H1141/M16



Wiring accessories

Type code	Ident-No.	Description	Design
RKC4.4T-2/TXL	6625503	Connection cable, female M12, straight, 4-pin, cable length: 2 m, sheath material: PUR, black; cULus approval; other cable lengths and qualities available, see www.turck.com	
WKC4.4T-2/TXL	6625515	Connection cable, female M12, angled, 4-pin, cable length: 2 m, sheath material: PUR, black; cULus approval; other cable lengths and qualities available, see www.turck.com	
RKC4.4T-2/TEL	6625013	Connection cable, female M12, straight, 4-pin, cable length: 2 m, sheath material: PVC, black; cULus approval; other cable lengths and qualities available, see www.turck.com	
WKC4.4T-2/TEL	6625025	Connection cable, female M12, angled, 4-pin, cable length: 2 m, sheath material: PVC, black; cULus approval; other cable lengths and qualities available, see www.turck.com	