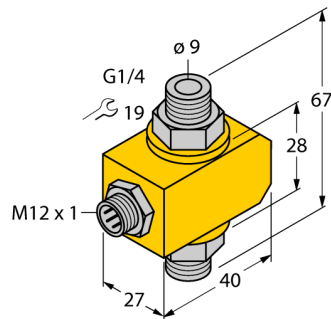


# Flow monitoring

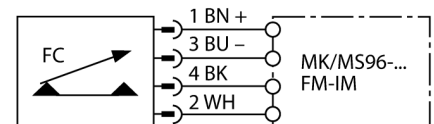
## Inline sensor with separate processor

### FCI-D10A4P-NA-H1141



- Flow sensor for liquid media
- Calorimetric principle
- Adjustment via potentiometer on processor
- Status indicated via LED chain on signal processor
- Operating range 0.1...6 l/min
- No temperature monitoring
- Plug-in device, M12 x 1
- 4-wire connection to the processor

#### Wiring diagram



#### Functional principle

The function of the inline flow sensors is based on the thermo-dynamic principle. Heat is generated in a measuring tube and absorbed by the flowing medium. The transported heat loss is thus a measure of the flow speed. Thus TURCK's wear-free flow sensors reliably monitor the flow of gaseous and liquid media. A low pressure drop and fast response to flow rate variations are the outstanding features of these devices.

<b>Type code</b>	FCI-D10A4P-NA-H1141
Ident-No.	6870629
Ident-No (TUSA)	M6870629
<b>Mounting</b>	inline sensor
Flow operating range	0,1...6 l/min.
Stand-by time	5 s
Switch-on time	0.5...1 s
Switch-off time	0.5...1 s
Temperature jump, response time	max. 12 s
Temperature gradient	≤ 400 K/min
Medium temperature	0...80 °C
Ambient temperature	-20...70 °C
<b>IP Rating</b>	IP67
<b>Housing material</b>	plastic, PBT
Sensor material	stainless steel, AISI 316Ti
Max. tightening torque housing nut	30 Nm
Connection	male, M12 x 1
Pressure resistance	20 bar
Process connection	G 1/4"

**Flow monitoring**  
**Inline sensor with separate processor**  
**FCI-D10A4P-NA-H1141**



**Wiring accessories**

Type code	Ident-No.	Description	Design
RKC4.4T-2/TXL	6625503	Connection cable, female M12, straight, 4-pin, cable length: 2 m, sheath material: PUR, black; cULus approval; other cable lengths and qualities available, see <a href="http://www.turck.com">www.turck.com</a>	
WKC4.4T-2/TXL	6625515	Connection cable, female M12, angled, 4-pin, cable length: 2 m, sheath material: PUR, black; cULus approval; other cable lengths and qualities available, see <a href="http://www.turck.com">www.turck.com</a>	
RKC4.4T-2/TEL	6625013	Connection cable, female M12, straight, 4-pin, cable length: 2 m, sheath material: PVC, black; cULus approval; other cable lengths and qualities available, see <a href="http://www.turck.com">www.turck.com</a>	
WKC4.4T-2/TEL	6625025	Connection cable, female M12, angled, 4-pin, cable length: 2 m, sheath material: PVC, black; cULus approval; other cable lengths and qualities available, see <a href="http://www.turck.com">www.turck.com</a>	