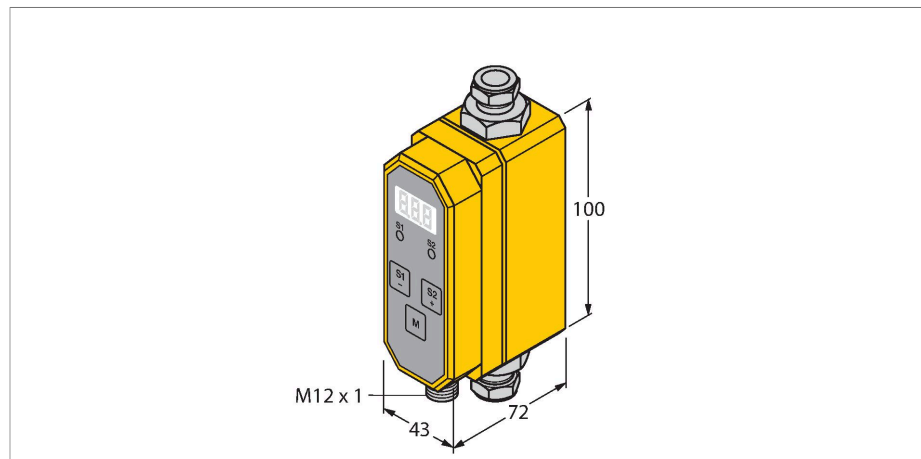


FCMI-3/8D08DYA4P-LI-UP8X-H1141

Flow Rate Measurement – Inline Sensor with Integrated Processor



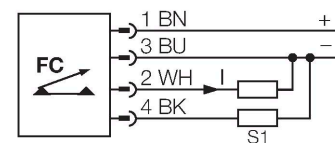
Features

- Programmable flow meter for electrically conductive liquids
- Magnetic-inductive principle
- Display and monitoring of flow
- 3-digit display [Gpm or l/min]
- Measuring accuracy 0...5.0 l/min: ± 0.1 l/min
- Measuring accuracy 5.1...40.0 l/min: $\pm 2\%$ of minimum value
- Minimum conductivity $> 10 \mu\text{S/cm}$ (water $> 15 \mu\text{S/cm}$)
- Prog. via pushbutton, code-protected
- Unit can be set: Gallon (default) - Liter
- DC 4-wire, 21.6...26.4 VDC
- NO/NC prog., PNP output
- 4...20 mA analog output
- Analog output provides a current signal proportional to the flow rate for the overall operating range
- Plug-in device, M12 x 1

Technical data

Ident. no.	6870816
Type	FCMI-3/8D08DYA4P-LI-UP8X-H1141
Mounting	Inline sensor
Application area	liquids
Flow operating range	0...40 l/min
Stand-by time	6...10 s
Switch-on time	0.5...8 s
Medium temperature	5...+60 °C
Ambient temperature	0...+60 °C
Operating voltage	21.6...26.4 VDC
Current consumption	≤ 100 mA
Output function	PNP/Analog output, NO/NC programmable
Rated operational current	0.2 A
Short-circuit protection	yes
Reverse polarity protection	yes
Current output	4...20 mA
Load	200...500 Ω
Protection class	IP65
Design	Inline
Housing material	Plastic, PBT
Sensor material	Stainless-steel/Plastic, V4A (1.4571)/PVDF
Electrical connection	Connector, M12 x 1
Process Pressure	10 bar
Process connection	3/8" Swagelok

Wiring diagram



Functional principle

The magnetic-inductive inline flow meter FCMI by TURCK is based on the Faraday principle. A measuring tube permeating magnetic field deviates the free charge carriers in the targeted medium to the tube walls. Voltage is created by electrical separation and picked up by two laterally mounted electrodes. The voltage quantity depends on the flow rate i.e. flow if the magnetic field is known. Thus the FCMI flow meter monitor reliably and wear-free the flow of various different liquid media which feature a determined minimum conductivity.

Technical data

Programming options

Access code, switchpoint, NC/NO,
hysteresis, switch ON/OFF delay, signal filter,
switchable unit (gallon - liter)
