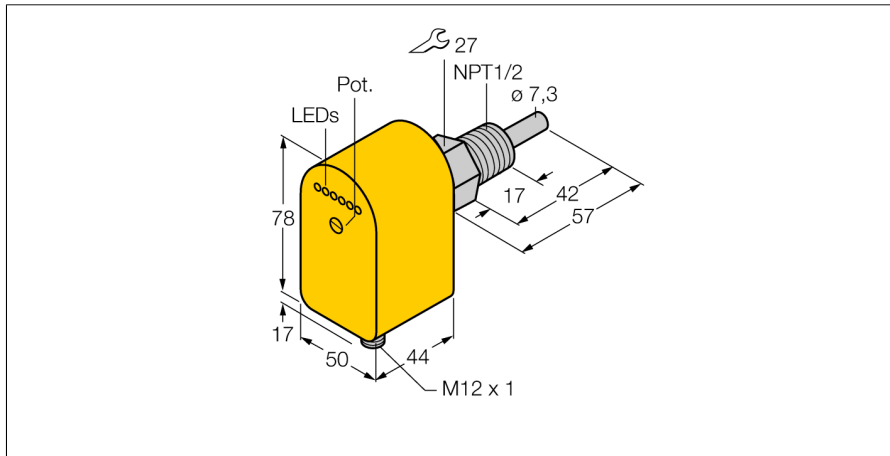


# Flow monitoring

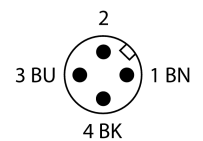
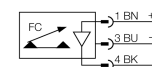
## Immersion sensor with integrated processor

### FCS-N1/2A4P-LIX-H1141



- Sensor for water
- Calorimetric principle
- Adjustments via potentiometer
- LED band
- With linearized analog output
- 3-wire DC, 21...26 VDC
- 4...20 mA analog output
- Plug-in device, M12 x 1

#### Wiring diagram



<b>Type code</b>	FCS-N1/2A4P-LIX-H1141
Ident-No.	6871041
Ident-No (TUSA)	M6871041

<b>Mounting</b>	insertion style sensor
Water Operating Range	5...150cm/s
Oil Operating Range	3...300 cm/s
Stand-by time	approx. 10 s
Setting time	1...15 s
Medium temperature	-20...80 °C
Ambient temperature	-20...70 °C

<b>Operating voltage</b>	21... 26VDC
Current consumption	≥ 100 mA
Output function	analog output
Short-circuit protection	yes
Reverse polarity protection	yes
Current output	4...20mA
Linearity deviation	≤ 10 %
Load	≤ 500 Ω
IP Rating	IP67

<b>Housing material</b>	plastic, PBT
Sensor material	stainless steel, AISI 316Ti
Max. tightening torque housing nut	30 Nm
Connection	male, M12 x 1
Pressure resistance	100 bar
Process connection	NPT 1/2"

<b>Flow state display</b>	LED chain, red (1x), green (5x)
LED display	red = 4 mA
	1x green > 4 mA
	2x green > 8 mA
	3x green > 12 mA
	4x green > 16 mA
	5x green = 20 mA

#### Functional principle

Our insertion - flow sensors operate on the principle of thermodynamics. The measuring probe is heated by several °C as against the flow medium. When fluid moves along the probe, the heat generated in the probe is dissipated. The resulting temperature is measured and compared to the medium temperature. The flow status of every medium can be derived from the evaluated temperature difference. Thus TURCK's wear-free flow sensors reliably monitor the flow of gaseous and liquid media.

