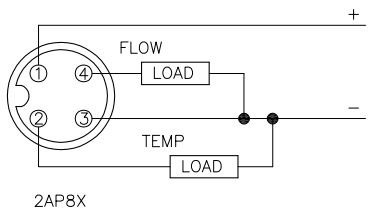


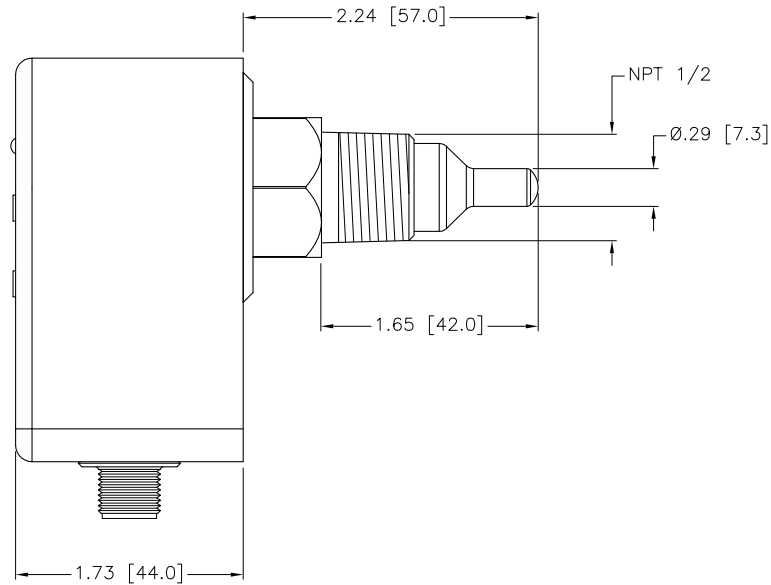
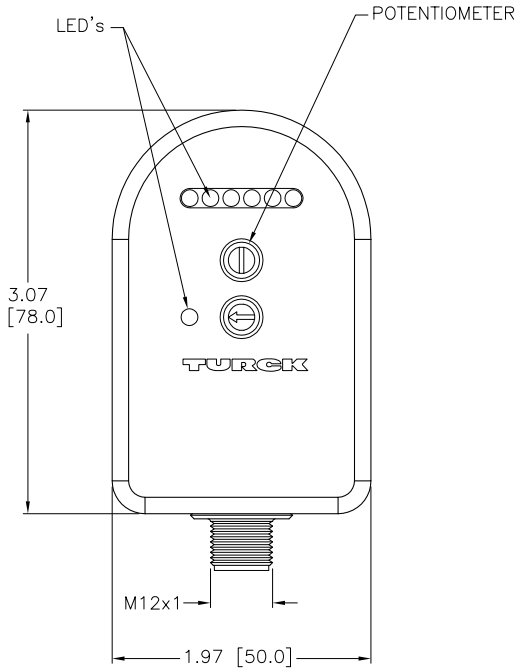
WIRING DIAGRAM



SHORT-CIRCUIT PROTECTED

SPECIFICATIONS

OPERATING VOLTAGE	24 VDC ±20%
OUTPUT	(2x) N.O. PNP
SWITCHING CURRENT	≤ 400 mA
ELECTRICAL CONNECTION	M12x1 EUROFAST
TIME DELAY BEFORE AVAILABILITY	2-15 SEC. (8 SEC. TYPICAL)
RESPONSE TIME	1-13 SEC. (2 SEC. TYPICAL)
FLOW DETECTION RANGE	
WATER:	1-150 cm/sec.
OIL:	3-300 cm/sec.
OPERATING TEMPERATURE	
AMBIENT:	-20° to +70°C (-4° to +158°F)
FLUID:	-20° to +80°C (-4° to +176°F)
TEMPERATURE SWITCHPOINT	0° to +80°C (+32° to +176°F)
MAX. TEMPERATURE GRADIENT	250 °C/MINUTE
DEGREE OF PROTECTION	IP65
PROCESS CONNECTION	1/2 NPT
WETTED MATERIAL	316 Ti
MAXIMUM PRESSURE	100 BAR/1450 Psi



RELATED DOCUMENTS 1. 2. 3. 4.	3RD ANGLE PROJECTION 	THIS DRAWING IS PROPERTY OF TURCK INC. USE OF THIS DOCUMENT WITHOUT WRITTEN PERMISSION IS PROHIBITED.		TURCK INC High Technology Sensors and Automation Controls 3000 CAMPUS DRIVE MINNEAPOLIS, MN 55441 1-800-544-7769 (763) 553-7300 (763) 553-0708 fax turck.com	
	MATERIAL	DRFT RDS	DATE 08/23/04	DESCRIPTION FTCS-N1/2A4P-2AP8X-H1140	
FINISH	ALL DIMENSIONS DISPLAYED ON THIS DRAWING ARE FOR REFERENCE ONLY	DSGN	SCALE 1=1.5	IDENTIFICATION NO. M6870036	
CONTACT TURCK FOR MORE INFORMATION		UNIT OF MEASUREMENT INCH [MILLIMETER]		REV A	
DO NOT SCALE THIS DRAWING		FILE: M6870036		SHEET 1 OF 1	

A	DRAWING RELEASE	RDS	08/24/04	
REV	DESCRIPTION	BY	DATE	ECO NO.