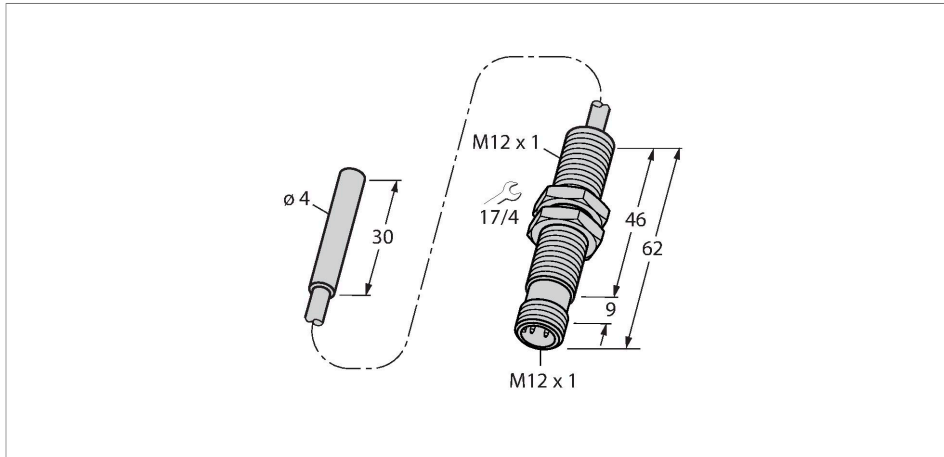


# BI1.5-EH04-0.3-M12-SIU-H1141

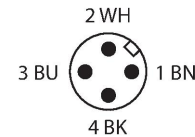
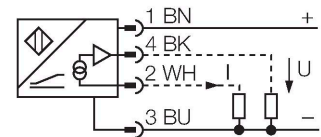
## Inductive Sensor – With Analog Output



### Features

- Smooth barrel, Ø 4 mm
- Stainless steel, 1.4427
- 4-wire, 15...30 VDC
- Analog output
- 0...10 V and 0...20 mA
- M12 x 1 male connector

### Wiring diagram

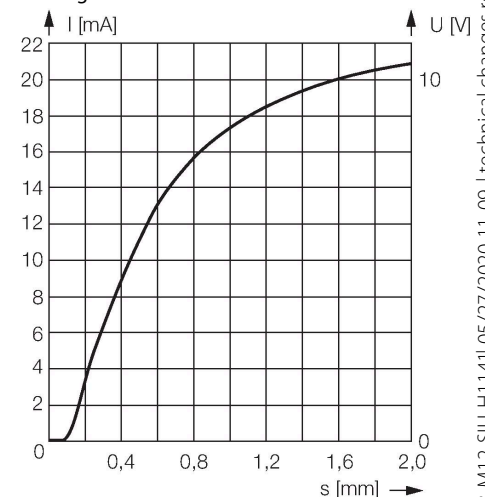


### Technical data

Type	BI1.5-EH04-0.3-M12-SIU-H1141
Ident. no.	1533001
Measuring range	0.1...1.5 mm
Mounting conditions	Flush
Secured operating distance	$\leq (0.81 \times S_n)$ mm
Correction factors	St37 = 1; Al = 0.3; stainless steel = 0.7; Ms = 0.4
Repeatability	$\leq 1\%$ of measuring range  A - B
	0.5 %, after warm-up 0.5 h
Reproducibility	$\leq 14\ \mu\text{m}$
	$\leq 7\ \mu\text{m}$ , after a warm-up time of 0.5 h
Temperature drift	$\leq \pm 0.06\%$ / K
Ambient temperature	-25...+70 °C
Operating voltage	15...30 VDC
Residual ripple	$\leq 10\%$ $U_{ss}$
No-load current	$\leq 8\ \text{mA}$
Isolation test voltage	$\leq 0.5\ \text{kV}$
Short-circuit protection	yes
Wire breakage/Reverse polarity protection	no / Complete
Output function	4-wire, Analog output, non-linear
Voltage output	0...10 V
Current output	0...20 mA
Load resistance voltage output	$\geq 4.7\ \text{k}\Omega$
Load resistance, current output	$\leq 0.4\ \text{k}\Omega$
Measuring sequence frequency	200 Hz

### Functional principle

Inductive TURCK sensors with analog output accomplish simple control tasks. They provide a current, voltage or frequency signal proportional to the target's distance.

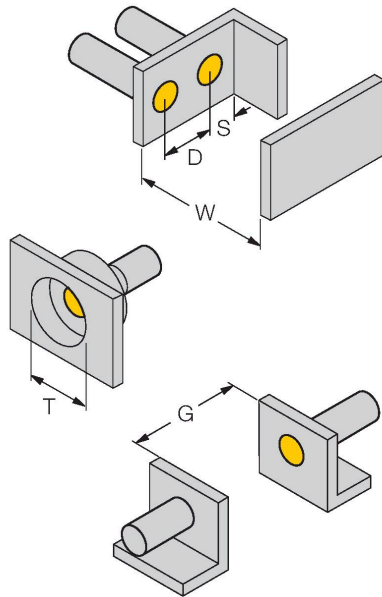


## Technical data

Design	Smooth barrel, 4 mm
Dimensions	30 mm
Housing material	Stainless steel, 1.4427 SO
Active area material	Plastic, PA12-GF30
Material coupling nut	metal, CuZn, nickel-plated
Electrical connection	Connector, M12 × 1
Cable quality	Ø 2.4 mm, shielded, PVC, 0.3 m
Core cross-section	1 × 0.08 mm <sup>2</sup>
Vibration resistance	55 Hz (1 mm)
Shock resistance	30 g (11 ms)
Protection class	IP67
MTTF	751 years acc. to SN 29500 (Ed. 99) 40 °C

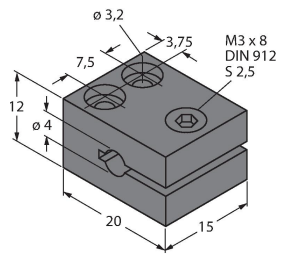
## Mounting instructions

### Mounting instructions/Description



Distance D	8 mm
Distance W	4.5 mm
Distance T	3 x B
Distance S	6 mm
Distance G	9 mm
Diameter active area B	Ø 4 mm

## Accessories

**MBS40****69477**

Fixing clamp; material mounting  
block: Anodized aluminium