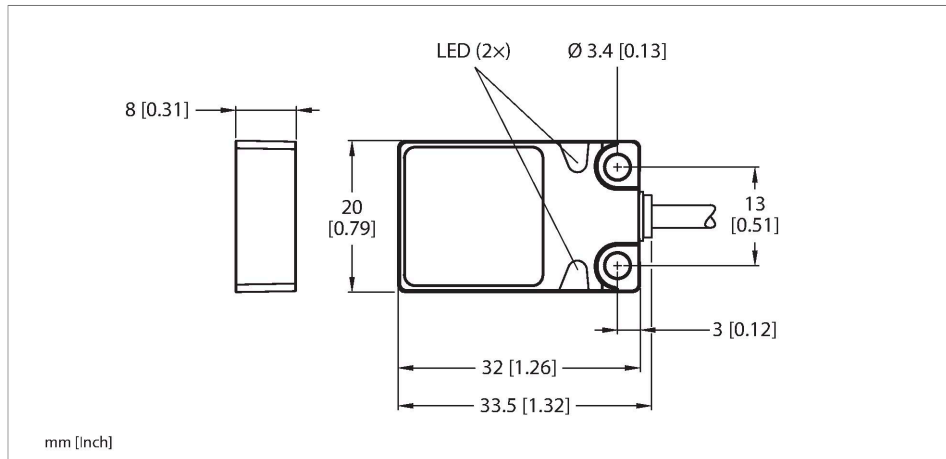


BI8U-Q08-AP6X2

Inductive Sensor – With Increased Switching Distance



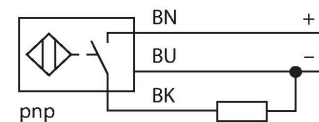
Technical data

| | |
|---|-----------------------------|
| Type | BI8U-Q08-AP6X2 |
| ID no. | 1662006 |
| Rated switching distance | 8 mm |
| Mounting conditions | Flush |
| Secured operating distance | $\leq (0.81 \times S_n)$ mm |
| Repeat accuracy | $\leq 2\%$ of full scale |
| Temperature drift | $\leq \pm 10\%$ |
| Hysteresis | 3...15 % |
| Ambient temperature | -25...+70 °C |
| Operating voltage | 10...30 VDC |
| Residual ripple | $\leq 10\% U_{ss}$ |
| DC rated operational current | ≤ 200 mA |
| No-load current | ≤ 15 mA |
| Residual current | ≤ 0.1 mA |
| Isolation test voltage | ≤ 0.5 kV |
| Short-circuit protection | yes / Cyclic |
| Voltage drop at I_o | ≤ 1.8 V |
| Wire breakage/Reverse polarity protection | yes / Complete |
| Output function | 3-wire, NO contact, PNP |
| Insulation class | □ |
| Switching frequency | 0.25 kHz |
| Design | Rectangular, Q08 |
| Dimensions | 32 x 20 x 8 mm |
| Housing material | Metal, Zamak, Nickel-plated |

Features

- Rectangular, height 8 mm
- Active face on top
- Metal, Zamak, nickel-plated
- Factor 1 for all metals
- Increased switching distance
- Protection class IP68
- Resistant to magnetic fields
- Mountable on metal
- DC 3-wire, 10...30 VDC
- NO contact, PNP output
- Cable connection

Wiring diagram



Functional principle

Inductive sensors are designed for wear-free and contactless detection of metal objects. uproX+ sensors have significant advantages due to their patented multi-coil system. They excel thanks to their optimum switching distances, maximum flexibility and operational reliability as well as efficient standardization.

Technical data

| | |
|-----------------------|---|
| Active area material | Plastic, PP, yellow |
| Electrical connection | Cable |
| Cable quality | Ø 3 mm, Gray, LifY-11Y, PUR, 2 m |
| Core cross-section | 3 x 0.14 mm ² |
| Vibration resistance | 55 Hz (1 mm) |
| Shock resistance | 30 g (11 ms) |
| Protection class | IP68 |
| MTTF | 874 years acc. to SN 29500 (Ed. 99) 40 °C |
| Power-on indication | LED, Green |
| Switching state | LED, Yellow |

Mounting instructions

| Mounting instructions/Description | |
|-----------------------------------|-------|
| Distance D | 40 mm |
| Distance W | 24 mm |
| Distance G | 48 mm |
| Width active area B | 20 mm |

