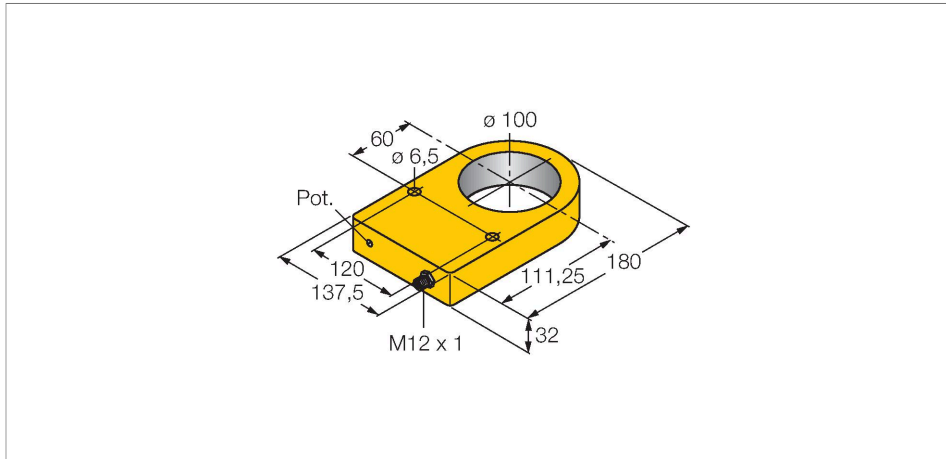


NI100R-S32XL-2LU-H1141/S950

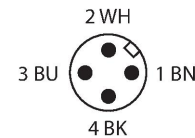
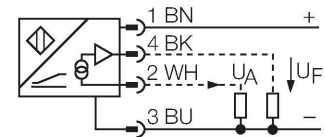
Inductive Sensor – For Material Recognition



Features

- Rectangular, height 32 mm
- Plastic, POM
- Analog
- 1 x analog output for amplitude evaluation
- 1 x analog output for phase evaluation
- M12 x 1 male connector

Wiring diagram



Technical data

Type	NI100R-S32XL-2LU-H1141/S950
Ident. no.	1534610
Special version	S950 corresponds to: 1x analog amplitude output, 1x analog phase output
Inside ring diameter D	100 mm
Secured operating distance	≤ (0.81 × S _n) mm
Repeatability	≤ 1 % of measuring range A - B
	0.5 %, after warm-up 0.5 h
Temperature drift	≤ ± 0.06 % / K
Ambient temperature	-25...+70 °C
Operating voltage	15...30 VDC
Residual ripple	≤ 10 % U _s
No-load current	≤ 8 mA
Isolation test voltage	≤ 0.5 kV
Short-circuit protection	yes
Wire breakage/Reverse polarity protection	no / Complete
Output function	4-wire, Analog output
Voltage output	0...10 V
Voltage output (phase)	≥ 1...≤ 10 VDC
Load resistance voltage output	≥ 4.7 kΩ
Measuring sequence frequency	80 Hz
Design	Ring sensor, S32XL
Dimensions	180 x 137.5 x 32 mm
Housing material	Plastic, POM

Functional principle

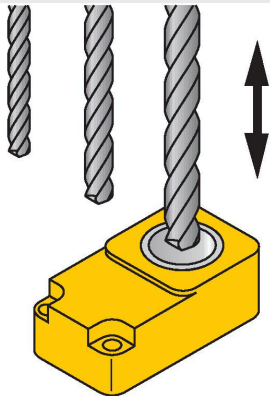
Many applications require a fast detection of material qualities. For example, the sorting of beverage cans made of aluminium or tin, or the differentiation of pipes made of different metals. Turck has developed an analog inductive sensor for this purpose that not only processes the amplitude signal but also the phase signal. Both signals are output as analog values and processed mathematically with a control unit. Different metals are thus detected independent of the distance.

Technical data

Electrical connection	Connector, M12 × 1
Coil body	plastic, POM
Vibration resistance	55 Hz (1 mm)
Shock resistance	30 g (11 ms)
Protection class	IP67
MTTF	751 years acc. to SN 29500 (Ed. 99) 40 °C

Mounting instructions

Mounting instructions/Description



Wiring accessories

Dimension drawing	Type	Ident. no.	
	RKC4.4T-2/TEL	6625013	Connection cable, female M12, straight, 4-pin, cable length: 2 m, sheath material: PVC, black; cULus approval; other cable lengths and qualities available, see www.turck.com

