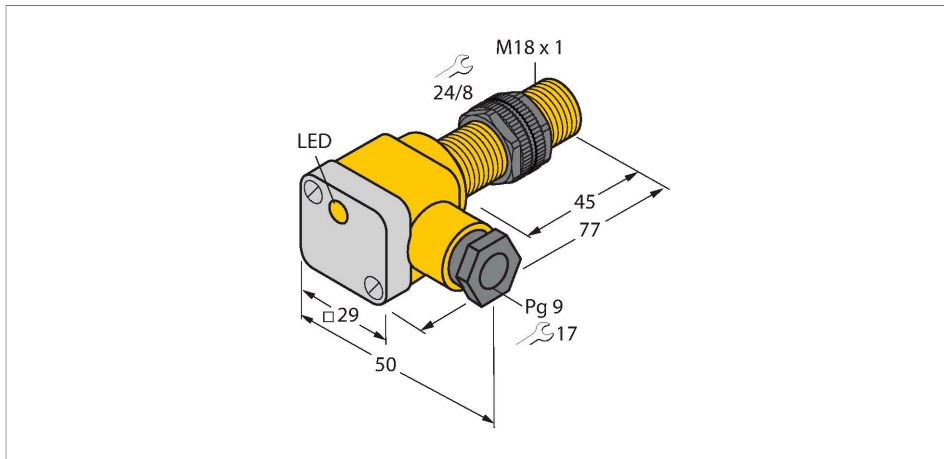


NI12U-P18SK-AP6X Inductive Sensor



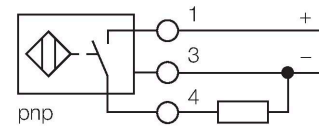
Features

- Threaded barrel, M18 x 1
- Plastic, PA12-GF30
- Factor 1 for all metals
- Protection class IP68
- Resistant to magnetic fields
- Extended temperature range
- High switching frequency
- Auto-compensation protects against pre-damping
- DC 3-wire, 10...30 VDC
- NO contact, PNP output
- Terminal chamber

Technical data

| | |
|---|---|
| Type | NI12U-P18SK-AP6X |
| Ident. no. | 1645700 |
| Rated switching distance | 12 mm |
| Mounting conditions | Non-flush, partially embeddable |
| Secured operating distance | $\leq (0.81 \times S_n)$ mm |
| Repeat accuracy | $\leq 2\%$ of full scale |
| Temperature drift | $\leq \pm 10\%$ |
| | $\leq \pm 20\%$, $\leq -25\text{ °C}$ v $\geq +70\text{ °C}$ |
| Hysteresis | 3...15 % |
| Ambient temperature | -30...+85 °C |
| Operating voltage | 10...30 VDC |
| Residual ripple | $\leq 10\% U_s$ |
| DC rated operational current | ≤ 200 mA |
| No-load current | ≤ 15 mA |
| Residual current | ≤ 0.1 mA |
| Isolation test voltage | ≤ 0.5 kV |
| Short-circuit protection | yes / Cyclic |
| Voltage drop at I_e | ≤ 1.8 V |
| Wire breakage/Reverse polarity protection | yes / Complete |
| Output function | 3-wire, NO contact, PNP |
| Insulation class | □ |
| Switching frequency | 2 kHz |
| Design | Threaded barrel, M18 x 1 |
| Dimensions | 77 mm |

Wiring diagram



Functional principle

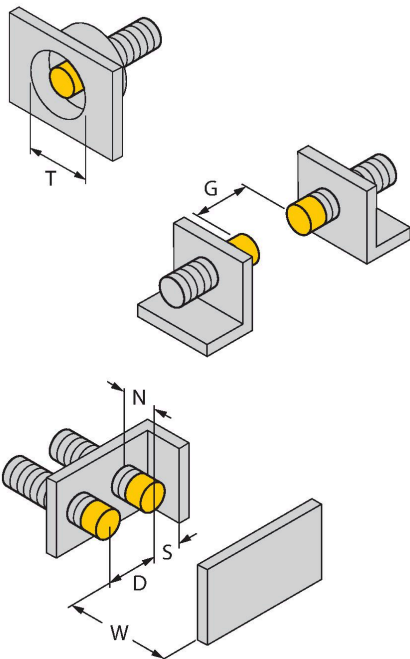
Inductive sensors detect metal objects contactless and wear-free. *uprox*® Factor 1 sensors have significant advantages due to their patented ferrite-coreless multicoil system. They detect all metals at the same large switching distance and are resistant to magnetic fields.

Technical data

| | |
|------------------------------------|---|
| Housing material | Plastic, PA12-GF30 |
| Terminal chamber cover material | plastic, Ultem |
| Terminal chamber housing material | plastic, plastic, PA12-GF20 |
| Active area material | Plastic, PBT-GF20-V0 |
| Max. tightening torque housing nut | 2 Nm |
| Electrical connection | Terminal chamber |
| Clamping ability | $\leq 2.5 \text{ mm}^2$ |
| Cable external diameter | 4.5...8 mm |
| Vibration resistance | 55 Hz (1 mm) |
| Shock resistance | 30 g (11 ms) |
| Protection class | IP68 |
| MTTF | 874 years acc. to SN 29500 (Ed. 99) 40 °C |
| Switching state | LED, Yellow |
| Included in delivery | cable gland; 2x plastic seals |

Mounting instructions

Mounting instructions/Description

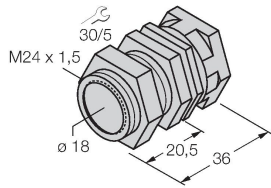


| | |
|---------------------------|---------|
| Distance D | 3 x B |
| Distance W | 3 x Sn |
| Distance T | 65 mm |
| Distance S | 0.5 x B |
| Distance G | 6 x Sn |
| Distance N | 2 x Sn |
| Diameter active area B | Ø 18 mm |

Accessories

QM-18

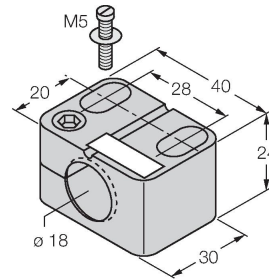
6945102



Quick-mount bracket with dead-stop; material: Chrome-plated brass. Male thread M24 × 1.5. Note: The switching distance of the proximity switches may change when using quick-mount brackets.

BST-18B

6947214



Mounting clamp for threaded barrel sensors, with dead-stop; material: PA6

MW18

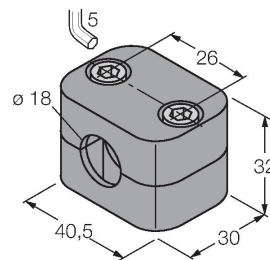
6945004



Mounting bracket for threaded barrel sensors; material: Stainless steel A2 1.4301 (AISI 304)

BSS-18

6901320



Mounting clamp for smooth and threaded barrel sensors; material: Polypropylene