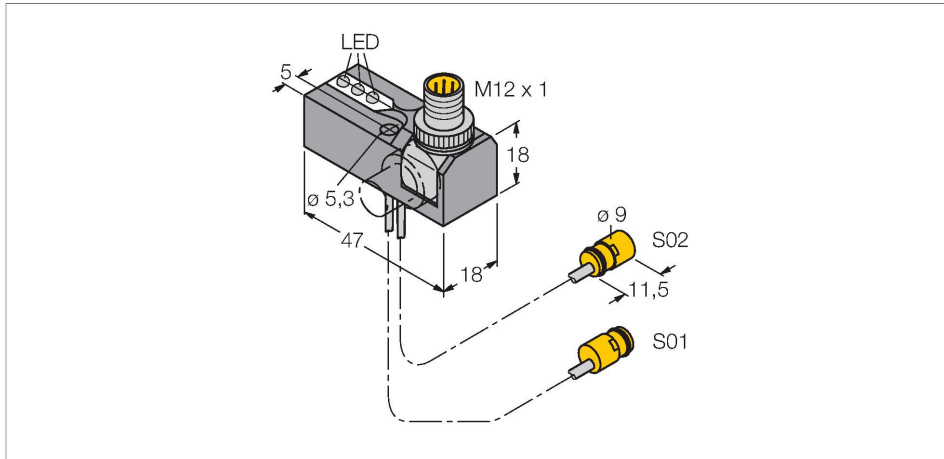


NI2-K09-0.095/0.11-BDS-2AP6X3-H1141/S34

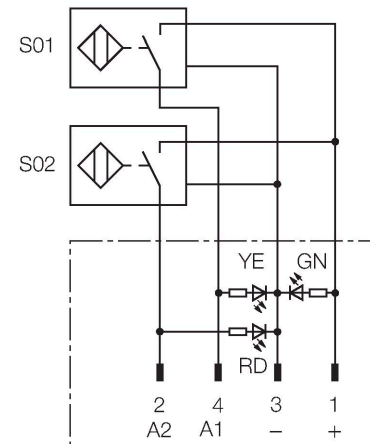
Inductive Sensor – Monitoring Kit for Power Clamps



Features

- BDS power block with two connected sensors and LEDs
- Robust rotatable connector 0°, 45° and 90°, for optimal cable routing
- Plastic, Trogamid
- Resistant to magnetic fields (weld-resistant), for DC and AC fields up to 100 mT
- 2 x NO contact, PNP output
- DC 4-wire, 10...30 VDC

Wiring diagram



Functional principle

TURCK offers special monitoring kits, consisting of two miniature sensors, as a convenient solution for "Open/Closed" detection on pneumatic power clamps. This product line provides almost unlimited combination possibilities, comprising four different power blocks and over 40 different modular sensor types.

Technical data

Type	NI2-K09-0.095/0.11-BDS-2AP6X3-H1141/S34
Ident. no.	1650039
Special version	S34 corresponds to: Weld-field immune proximity sensors
Rated switching distance	1.2 mm For S01 sensor, 2 mm for S02 sensor
Mounting conditions	Non-flush
Secured operating distance	$\leq (0.81 \times S_n)$ mm
Correction factors	St37 = 1; Al = 0.3; stainless steel = 0.7; Ms = 0.4
Repeat accuracy	$\leq 2\%$ of full scale
Temperature drift	$\leq \pm 10\%$
Hysteresis	3...15 %
Ambient temperature	-25...+70 °C
Operating voltage	10...30 VDC
Residual ripple	$\leq 10\% U_{ss}$
DC rated operational current	≤ 200 mA
No-load current	≤ 15 mA
Residual current	≤ 0.1 mA
Isolation test voltage	≤ 0.5 kV
Short-circuit protection	yes / Thermal
Voltage drop at I_e	≤ 1.8 V
Wire breakage/Reverse polarity protection	Complete
Output function	4-wire, NO contact, PNP
Smallest operating current	≥ 1 mA

Technical data

Switching frequency	0.03 kHz
Design	Monitoring kit for power clamps, K09
Dimensions	47 x 18 x 18 mm
Housing material	Metal, Trogamit
Active area material	Plastic, PP GR-20
Electrical connection	Connector, M12 x 1
Cable quality	Ø 2 mm, Gray, Lif9Y-11Y, PUR, 0.095 m, 0.11 m
Core cross-section	3 x 0.08 mm ²
Litz wire	40 x 0.05 mm
Vibration resistance	55 Hz (1 mm)
Shock resistance	30 g (11 ms)
Protection class	IP67
MTTF	2283 years acc. to SN 29500 (Ed. 99) 40 °C
Power-on indication	LED, Green
Switching state	2 x LEDs, Yellow/Red

Mounting instructions

Mounting instructions/Description



The sensor should only be mounted in the correspondent retainer.

The sensor is adjusted to the mounting characteristics of the retainer. Deviant mounting may cause unpredictable performance of the sensor.

Flush mounting without leaving a gap may lead to uncontrolled switching of the sensor.

Wiring accessories

Dimension drawing	Type	Ident. no.	Description
	RKC4.4T-2/TEL	6625013	Connection cable, female M12, straight, 4-pin, cable length: 2 m, sheath material: PVC, black; cULus approval; other cable lengths and qualities available, see www.turck.com