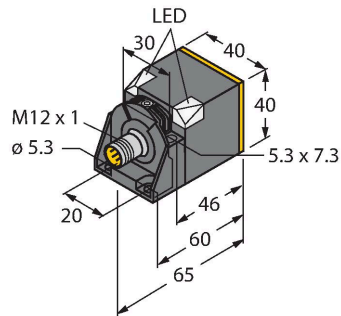


NI35U-CK40-AD4X-H1144

Inductive Sensor

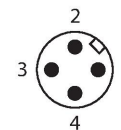
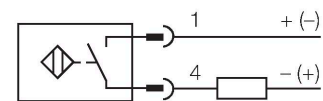


Features

- Rectangular, height 40 mm
- Variable orientation of active face in 5 directions
- Plastic, PBT-GF30-V0
- High luminance corner LEDs
- Optimum view on supply voltage and switching state from any position
- Factor 1 for all metals
- Resistant to magnetic fields
- DC 2-wire, 10...65 VDC
- NO contact
- M12 x 1 male connector

Technical data

Type	NI35U-CK40-AD4X-H1144
Ident. no.	4280232
Rated switching distance	35 mm
Mounting conditions	Non-flush
Secured operating distance	$\leq (0.81 \times S_n)$ mm
Repeat accuracy	≤ 2 % of full scale
Temperature drift	$\leq \pm 10$ %
	$\leq \pm 15$ %, ≤ -25 °C v $\geq +70$ °C
Hysteresis	3...20 %
Ambient temperature	-25...+70 °C
Operating voltage	10...65 VDC
Residual ripple	≤ 10 % U_{ss}
DC rated operational current	≤ 100 mA
Residual current	≤ 0.8 mA
Isolation test voltage	≤ 0.5 kV
Short-circuit protection	yes / Cyclic
Voltage drop at I_o	≤ 5 V
Wire breakage/Reverse polarity protection	Complete
Output function	2-wire, NO contact, 2-wire
Smallest operating current	≥ 3 mA
Switching frequency	0.01 kHz
Design	Rectangular, CK40
Dimensions	65 x 40 x 40 mm



Functional principle

Inductive sensors are designed for wear-free and contactless detection of metal objects. uprox+ sensors have significant advantages due to their patented multi-coil system. They excel thanks to their optimum switching distances, maximum flexibility and operational reliability as well as efficient standardization.

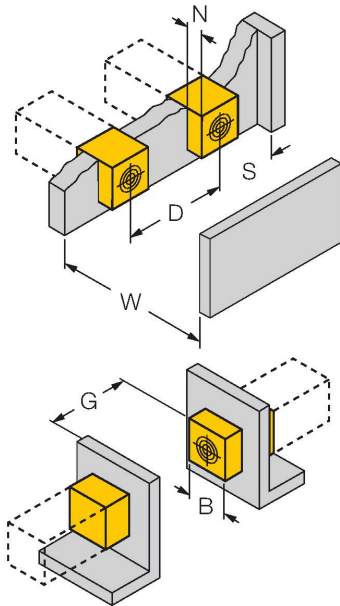
Technical data

variable orientation of active face in 5 directions

Housing material	Plastic, PBT-GF20-V0, Black
Active area material	Plastic, PA12-GF30, yellow
Electrical connection	Connector, M12 × 1
Vibration resistance	55 Hz (1 mm)
Shock resistance	30 g (11 ms)
Protection class	IP67
MTTF	874 years acc. to SN 29500 (Ed. 99) 40 °C
Switching state	2 × LEDs, Yellow
Included in delivery	Mounting bracket BS4-CK40

Mounting instructions

Mounting instructions/Description



Distance D	$3 \times B$
Distance W	$3 \times S_n$
Distance S	$1.5 \times B$
Distance G	$6 \times S_n$
Distance N	$1 \times B$
Width active area B	40 mm

Flush-mounted installation on up to 4 sides
 1-side flush-mounted: $S_r = 28 \text{ mm}$
 2-side flush-mounted: $S_r = 24 \text{ mm}$
 3-side flush-mounted: $S_r = 19 \text{ mm}$
 4-side flush-mounted: $S_r = 12 \text{ mm}$

Rear-side mounting with full switching distance possible.

Recessed installation with reduced switching distance possible.

The values stated relate to a 1-mm-thick steel plate.

Accessories

BSS-CP40**6901318**

Mounting clamp for rectangular housings 40 x 40 mm; material: Polypropylene

