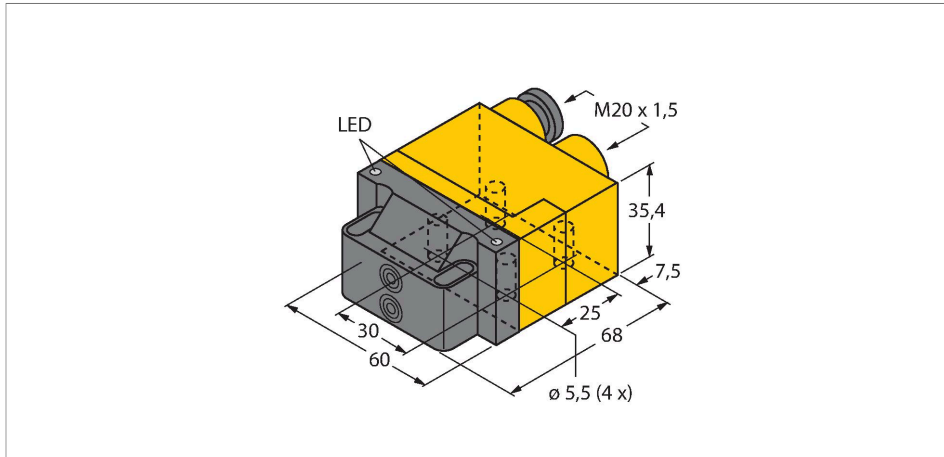


NI4-DSU26TC-2ADZ30X2

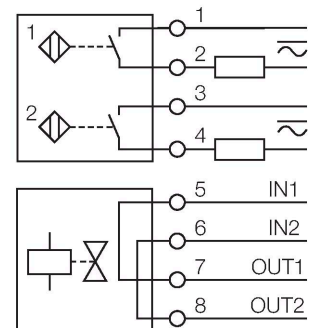
Inductive Sensor – For Rotary Actuators



Features

- Rectangular, housing DSU26
- Plastic, PP-GF30-VO
- Two outputs for monitoring the position of rotary actuators
- Mounting on all standard actuators
- AC 4-wire, 20...250 VAC
- DC 4-wire, 10...300 VDC
- 2 normally open contact
- Terminal chamber

Wiring diagram

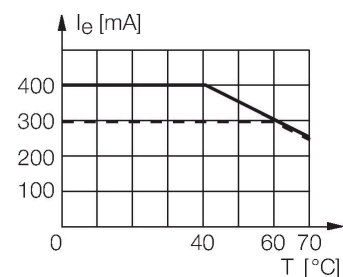


Technical data

Type	NI4-DSU26TC-2ADZ30X2
Ident. no.	4290004
Rated switching distance	4 mm
Mounting conditions	Non-flush
Correction factors	St37 = 1; Al = 0.3; stainless steel = 0.7; Ms = 0.4
Repeat accuracy	≤ 2 % of full scale
Temperature drift	≤ ± 10 %
Hysteresis	3...15 %
Ambient temperature	-25...+70 °C
Operating voltage	20...250 VAC
Operating voltage	10...300 VDC
AC rated operational current	≤ 400 mA
DC rated operational current	≤ 300 mA
Frequency	≥ 50...≤ 60 Hz
Residual current	≤ 1.7 mA
Isolation test voltage	≤ 1.5 kV
Surge current	≤ 3 A (≤ 20 ms max. 5 Hz)
Short-circuit protection	yes / Latching
Voltage drop at I _e	≤ 6 V
Wire breakage/Reverse polarity protection	yes / Complete
Output function	4-wire, 2 × NO contact
Smallest operating current	≥ 3 mA
Valve control	≤ 2,5 A / ≤ 250 V
Switching frequency	0.02 kHz

Functional principle

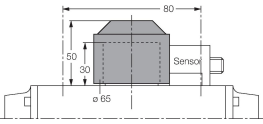
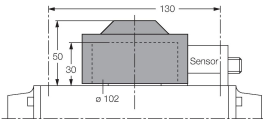
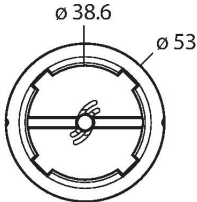
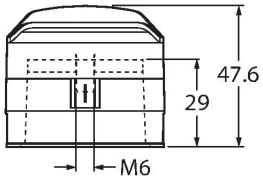
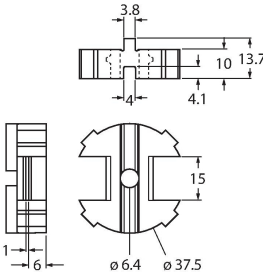
Inductive sensors detect metal objects contactless and wear-free. Dual sensors are especially designed for position detection in rotary actuators. They combine the reliability of non-contact inductive sensors with the flexibility of a modular housing system.



Technical data

Design	Dual sensor for valve monitoring, DSU26
Dimensions	68 x 60 x 35.4 mm
Housing material	Plastic, PP-GF30, Yellow
Active area material	Plastic, PP-GF30, black
Electrical connection	Terminal chamber
Clamping ability	≤ 2.5 mm ²
Vibration resistance	55 Hz (1 mm)
Shock resistance	30 g (11 ms)
Protection class	IP67
MTTF	2283 years acc. to SN 29500 (Ed. 99) 40 °C
Switching state	2 × LEDs, Yellow/Red
Included in delivery	2 cable glands (black), 1 blanking plug

Accessories

<p>BTS-DSC26-EB2 6900223</p>  <p>Actuator kit (puck) for dual sensors; end position damped; hole pattern on receptacle surface: 80 x 30 mm and 130 x 30 mm; connection shaft (shaft extension) height: 30 mm/Ø: max. 50 mm</p>	<p>BTS-DSC26-EB3 6900224</p>  <p>Actuator kit (puck) for dual sensors; end position damped; hole pattern on receptacle surface: 30 x 130 mm; connection shaft (shaft extension) height: 30 mm/Ø: max. 85 mm</p>
<p>BTS-DSC26-EB20 100002102</p>  <p>Actuator (puck) for dual sensors; end position damped; hole pattern on flange: 80 x 30 mm and 130 x 30 mm; connection shaft (shaft extension) height: 30 mm/Ø: max. 35 mm; available as an option: Spacer BTS-DSC26-UR10 for 20-mm-high connection shafts (shaft extension)</p> 	<p>BTS-DSC26-UR10 100002103</p>  <p>Spacer for dual sensor actuation kit BTS-DSC26-EB20</p> 