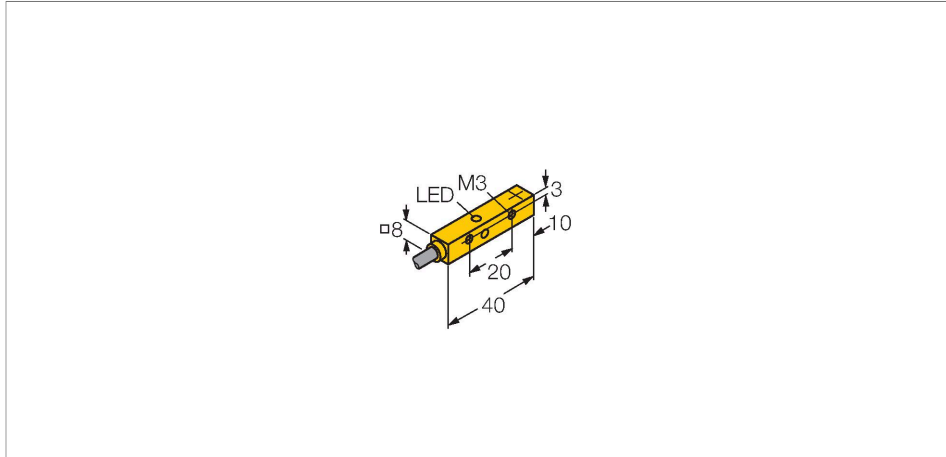


NI4U-Q8SE-AN6X

Inductive Sensor



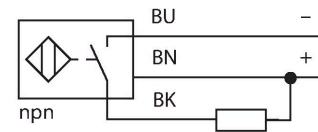
Features

- Rectangular, height 8 mm
- Active face on top
- Factor 1 for all metals
- Increased switching distance
- Protection class IP68
- Resistant to magnetic fields
- Auto-compensation protects against pre-damping
- Flush mounted installation on up to 4 sides
- DC 3-wire, 10...30 VDC
- NO contact, NPN output
- Cable connection

Technical data

Type	NI4U-Q8SE-AN6X
Ident. no.	4635809
Rated switching distance	4 mm
Mounting conditions	Non-flush, flush mountable
Secured operating distance	$\leq (0.81 \times S_n)$ mm
Repeat accuracy	$\leq 2\%$ of full scale
Temperature drift	$\leq \pm 10\%$
	$\leq \pm 15\%$, $\leq -25\text{ °C}$ v $\geq +70\text{ °C}$
Hysteresis	3...15 %
Ambient temperature	-30...+85 °C
Operating voltage	10...30 VDC
Residual ripple	$\leq 10\%$ U_{ss}
DC rated operational current	≤ 150 mA
No-load current	≤ 15 mA
Residual current	≤ 0.1 mA
Isolation test voltage	≤ 0.5 kV
Short-circuit protection	yes / Cyclic
Voltage drop at I_e	≤ 1.8 V
Wire breakage/Reverse polarity protection	yes / Complete
Output function	3-wire, NO contact, NPN
Insulation class	□
Switching frequency	1 kHz
Design	Rectangular, Q8SE
Dimensions	40 x 8 x 8 mm

Wiring diagram



Functional principle

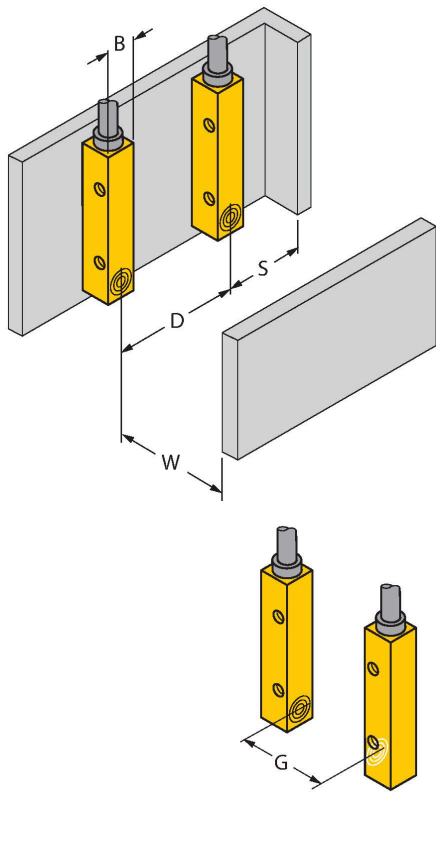
Inductive sensors detect metal objects contactless and wear-free. Due to the patented multi-coil system, *uprox*[®]+ sensors have distinct advantages over conventional sensors. They excel in largest switching distances, maximum flexibility and operational reliability as well as efficient standardization.

Technical data

Housing material	Plastic, PP, Yellow
Active area material	PP, yellow
Tightening torque	≤ 0.6 Nm
Electrical connection	Cable
Cable quality	Ø 3 mm, Gray, Lif9Y-11Y, PUR, 2 m
	Suited for E-ChainSystems® acc. to manufacturers declaration H1063M
Core cross-section	3 x 0.14 mm ²
Vibration resistance	55 Hz (1 mm)
Shock resistance	30 g (11 ms)
Protection class	IP68
MTTF	874 years acc. to SN 29500 (Ed. 99) 40 °C
Switching state	LED, Yellow

Mounting instructions

Mounting instructions/Description



Distance D	24 mm
Distance W	12 mm
Distance S	12 mm
Distance G	24 mm
Width active area B	8 mm

Flush mounting on 4 sides

1-side mounting:
Sr = 3,5 mm

2-side mounting:
Sr = 3,0 mm

3-side mounting:
Sr = 2,5 mm

4-side mounting:
Sr = 2,0 mm