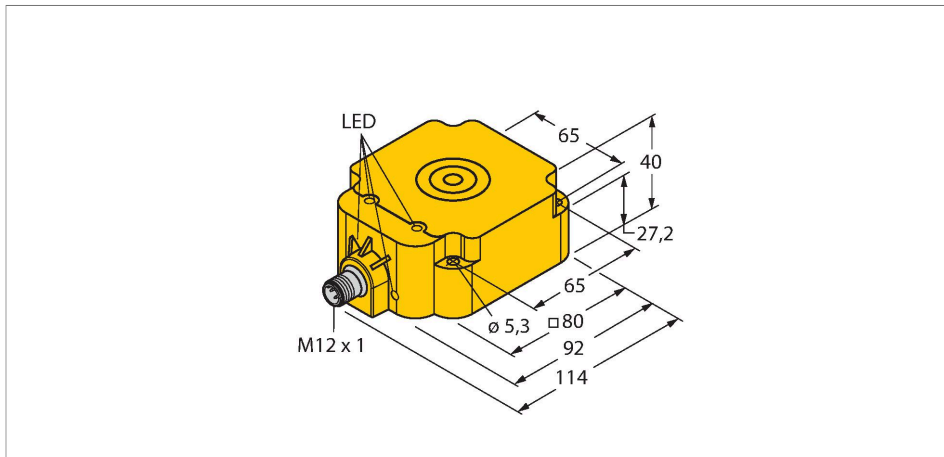


NI75U-Q80-AN6X2-H1141

Inductive Sensor

Features

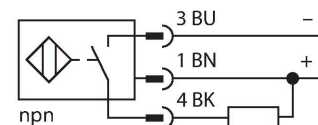
- Rectangular, height 40 mm
- Active face on top
- Plastic, PBT-GF30-V0
- 4 LEDs for optimum view on supply voltage and switching state from any position
- Factor 1 for all metals
- Increased switching distance
- Protection class IP68
- Resistant to magnetic fields
- Auto-compensation protects against pre-damping
- Partially embeddable
- DC 3-wire, 10...30 VDC
- NO contact, NPN output
- M12 x 1 male connector



Technical data

Type	NI75U-Q80-AN6X2-H1141
Ident. no.	1625856
Rated switching distance	75 mm
Mounting conditions	Non-flush, partially embeddable
Repeat accuracy	≤ 2 % of full scale
Temperature drift	≤ ± 10 %
Hysteresis	3...15 %
Ambient temperature	-25...+70 °C
Operating voltage	10...30 VDC
Residual ripple	≤ 10 % U _{ss}
DC rated operational current	≤ 200 mA
No-load current	≤ 15 mA
Residual current	≤ 0.1 mA
Isolation test voltage	≤ 0.5 kV
Short-circuit protection	yes / Cyclic
Voltage drop at I _e	≤ 1.8 V
Wire breakage/Reverse polarity protection	yes / Complete
Output function	3-wire, NO contact, NPN
Insulation class	□
Switching frequency	0.25 kHz
Design	Rectangular, Q80
Dimensions	92 x 80 x 40 mm
Housing material	Plastic, PBT-GF30-V0, Yellow
Active area material	PBT-GF30-V0, yellow

Wiring diagram



Functional principle

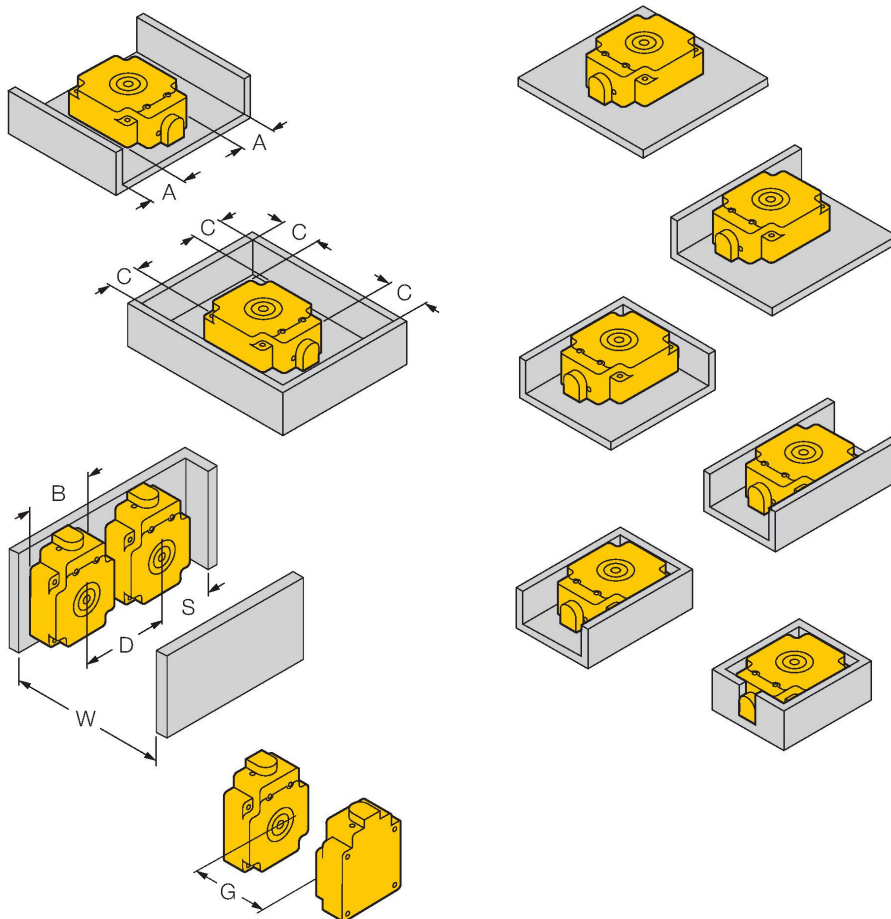
Inductive sensors detect metal objects contactless and wear-free. Due to the patented multi-coil system, *uprox*⁺ sensors have distinct advantages over conventional sensors. They excel in largest switching distances, maximum flexibility and operational reliability as well as efficient standardization.

Technical data

Tightening torque fixing screw	4 Nm
Electrical connection	Connector, M12 x 1
Vibration resistance	55 Hz (1 mm)
Shock resistance	30 g (11 ms)
Protection class	IP68
MTTF	874 years acc. to SN 29500 (Ed. 99) 40 °C
Power-on indication	LED, Green
Switching state	LED, Yellow

Mounting instructions

Mounting instructions/Description



Distance D	240 mm
Distance W	225 mm
Distance S	60 mm
Distance G	450 mm
Distance A	20 mm
Distance C	80 mm
Width active area B	80 mm

Mounting on metal: Sr = 75 mm

1-side mounting: Sr = 50 mm

2-side mounting: Sr = 45 mm

3-side mounting: Sr = 40 mm

4-side mounting: Sr = 40 mm

recessed mounting without metal baseplate: Sr = 65 mm

The values stated relate to a 1 mm thick steel plate.

Switching distances with different target sizes:


Sheet steel 150 x 150 mm: Sn = 65 mm

Sheet steel 60 x 60 mm: Sn = 50 mm

Sheet steel 40 x 40 mm: Sn = 40 mm

Sheet steel 120 x 40 mm: Sn = 45 mm (simulation of a skid runner)

Wiring accessories

Dimension drawing	Type	Ident. no.	
	RKC4T-2/TEL	6625010	Connection cable, female M12, straight, 3-pin, cable length: 2 m, sheath material: PVC, black; cULus approval; other cable lengths and qualities available, see www.turck.com