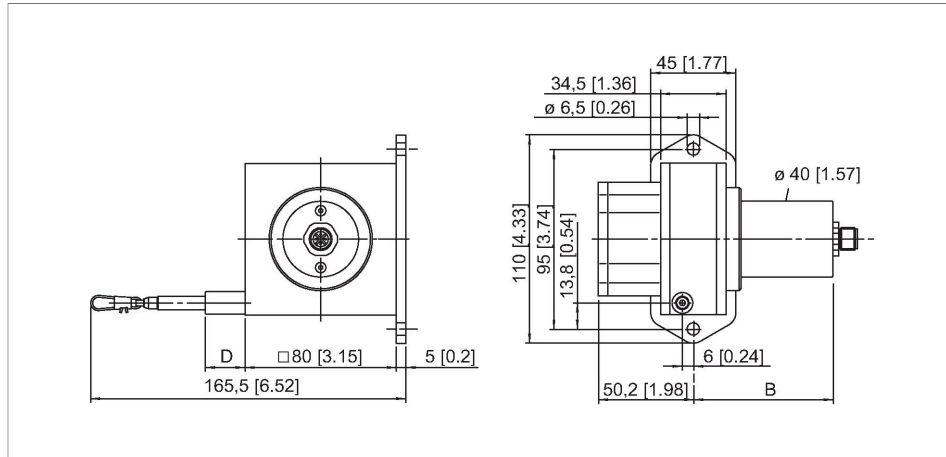


# DW1000-110-7E-H1441

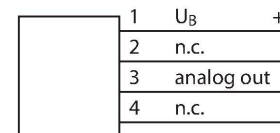
## Draw-Wire



### Features

- Measuring range up to 1000mm
- M12 connector
- Protection class: IP65 (Encoder)
- Analog output, 4...20 mA
- Supply voltage 12...30 VDC

### Wiring diagram



### Technical data

Type	DW1000-110-7E-H1441
Ident. no.	1544540
Remark to product	Turck description modified: previously DW...-H1141
Measuring range	1000 mm
Linearity deviation	≤ 0.1 %
Ambient temperature	-20...+60 °C
Operating voltage	12...30 VDC
Short-circuit protection	yes
Wire breakage/Reverse polarity protection	yes
Output function	4-pin, Analog output
Current output	4...20 mA
<b>Design</b>	<b>Draw Wire</b>
Housing material	Titanium anodized aluminium
min. extension force	6.9 N
max.extension force	8.3 N
max. extension speed	10 m/s
Pull acceleration max.	140 m/s <sup>2</sup>
wire material	Stainless steel
Electrical connection	Connector, M12 × 1
Protection class	IP65

Signal	+U <sub>B</sub>	-	Analog out	-	-	-	-	-	-
Pin configuration	1	2	3	4	-	-	-	-	-

## Accessories

RDR-1

1544753

Deflection roller for aluminium draw-wire sensors

