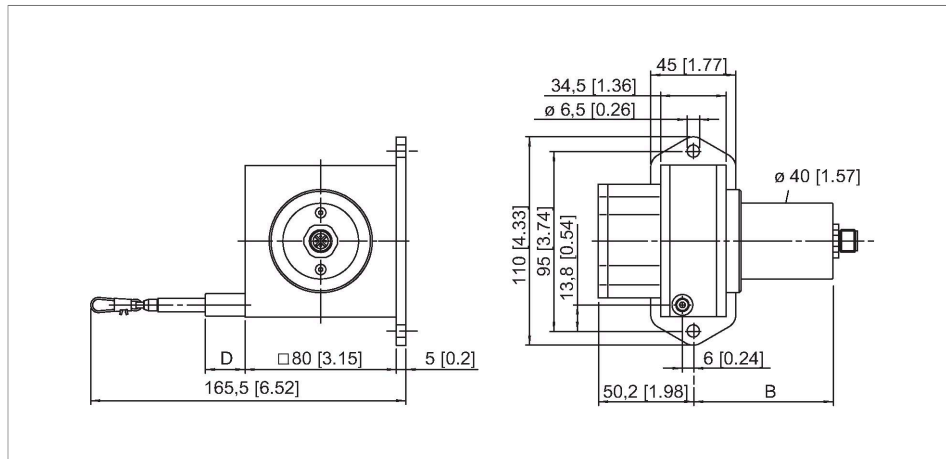


# DW2000-110-7E-H1441

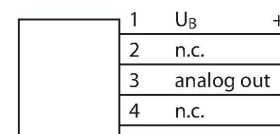
## Draw-Wire



### Features

- Measuring range up to 2000mm
- M12 connector
- Protection class: IP65 (Encoder)
- Analog output, 4...20 mA
- Supply voltage 12...30 VDC

### Wiring diagram



### Technical data

|   |  |
|---|--|
| Type                                      | DW2000-110-7E-H1441                                |
| Ident. no.                                | 1544543  |
| Remark to product                         | Turck description modified: previously DW...-H1141 |
| Measuring range                           | 2000 mm  |
| Linearity deviation                       | ≤ 0.1 %  |
| Ambient temperature                       | -20...+60 °C                                       |
| Operating voltage                         | 12...30 VDC  |
| Short-circuit protection                  | yes  |
| Wire breakage/Reverse polarity protection | yes  |
| Output function                           | 4-pin, Analog output                               |
| Current output                            | 4...20 mA  |
| <b>Design</b>                             | <b>Draw Wire</b>                                   |
| Housing material                          | Titanium anodized aluminium                        |
| min. extension force                      | 6.4 N  |
| max.extension force                       | 7.8 N  |
| max. extension speed                      | 10 m/s   |
| Pull acceleration max.                    | 140 m/s <sup>2</sup>                               |
| wire material                             | Stainless steel                                    |
| Electrical connection                     | Connector, M12 × 1                                 |
| Protection class                          | IP65   |

|                   |                 |   |            |   |   |   |   |   |   |
|-------------------|-----------------|---|------------|---|---|---|---|---|---|
| Signal            | +U <sub>B</sub> | - | Analog out | - | - | - | - | - | - |
| Pin configuration | 1               | 2 | 3          | 4 | - | - | - | - | - |

## Accessories

RDR-1

1544753

Deflection roller for aluminium draw-wire sensors

