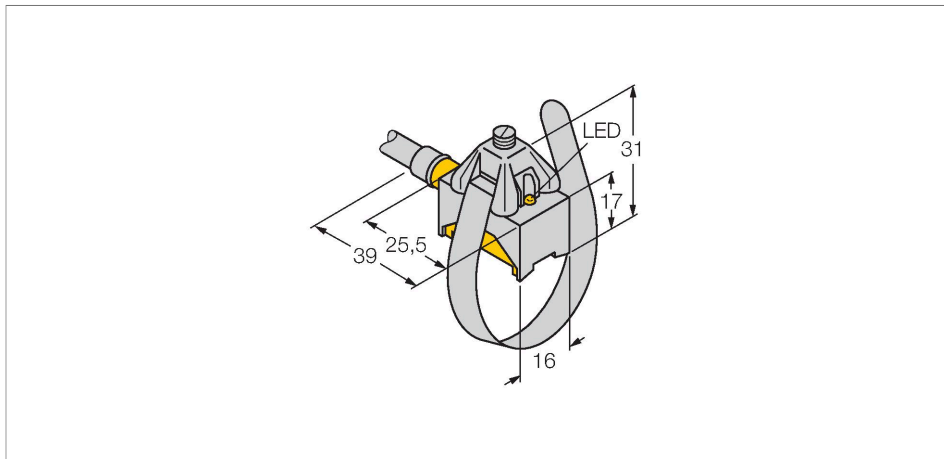


BIM-KST-AP6X

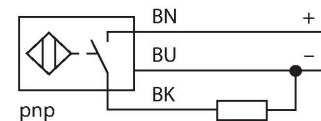
Magnetic Field Sensor – For Pneumatic Cylinders



Features

- Rectangular, height 17 mm
- Front active face
- Metal/plastic, GD-Zn/Al/PA12-GF30
- Magnetic-inductive sensor
- DC 3-wire, 10...30 VDC
- NO contact, PNP output
- Cable connection

Wiring diagram



Technical data

Type	BIM-KST-AP6X
Ident. no.	46740
Pass speed	≤ 10 m/s
Repeatability	≤ ± 0.1 mm
Temperature drift	≤ 0.1 mm
Hysteresis	≤ 1 mm
Ambient temperature	-25...+70 °C
Operating voltage	10...30 VDC
Residual ripple	≤ 10 % U _s
DC rated operational current	≤ 200 mA
No-load current	≤ 15 mA
Residual current	≤ 0.1 mA
Isolation test voltage	≤ 0.5 kV
Short-circuit protection	yes / Cyclic
Voltage drop at I _e	≤ 1.8 V
Wire breakage/Reverse polarity protection	yes / Complete
Output function	3-wire, NO contact, PNP
Switching frequency	1 kHz
Design	Rectangular, KST
Dimensions	37 x 16 x 17 mm
Housing material	Metal/plastic, GD-ZN/Al/PA12-GF30
Active area material	Plastic, PA12-GF30
Electrical connection	Cable
Cable quality	Ø 4 mm, Gray, LifYY, PVC, 2 m

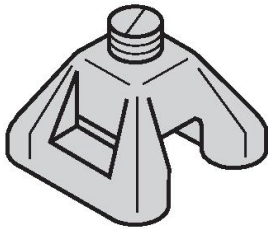
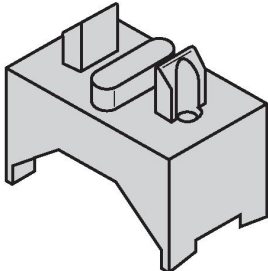
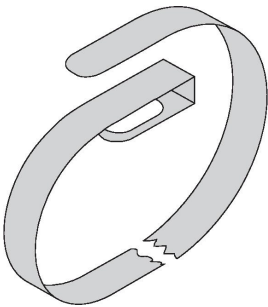
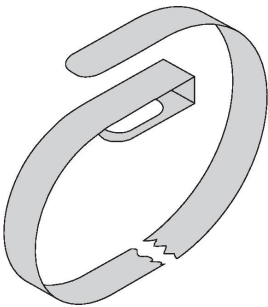
Functional principle

Magnetic field sensors are activated by magnetic fields and are especially suited for piston position detection in pneumatic cylinders. Based on the fact that magnetic fields can permeate non-magnetizable metals, it is possible to detect a permanent magnet attached to the piston through the aluminium wall of the cylinder.

Technical data

Core cross-section	3 x 0.25 mm ²
Vibration resistance	55 Hz (1 mm)
Shock resistance	30 g (11 ms)
Protection class	IP67
MTTF	2283 years acc. to SN 29500 (Ed. 99) 40 °C
Mounting on the following profiles	
Cylindrical design	○
Switching state	LED, Yellow
Included in delivery	KST-SE, KST-MG, KST-SB170, KST-SB335

Accessories

<p>KST-SE 46736</p> 	<p>Mounting bracket for mounting magnetic field sensors on round cylinders; clamping element; material: Metall GD-Zn</p>	<p>KST-MG 46735</p> 	<p>Mounting bracket for mounting magnetic field sensors on round cylinders; metal housing; material: Metall GD-Zn</p>
<p>KST-SB170 46737</p> 	<p>Clip collar for mounting magnetic field sensors on round cylinders; cylinder diameter 8...25 mm, material: Metal A2 1.4301 (AISI 304)</p>	<p>KST-SB335 46738</p> 	<p>Clip collar for mounting magnetic field sensors on round cylinders; cylinder diameter 8...80 mm, material: Metal A2 1.4301 (AISI 304)</p>